

US00D386549S

United States Patent [19]

Takahashi et al.

[11] Patent Number: **Des. 386,549**

[45] Date of Patent: ****Nov. 18, 1997**

[54] GOLF CLUB HEAD

[75] Inventors: **Kunihiko Takahashi**, Musashino;
Yasuto Imai; **Takehiko Asakuno**, both
of Higashikurume, all of Japan

[73] Assignee: **Daowa Seiko Inc.**, Tokyo, Japan

[**] Term: **14 Years**

[21] Appl. No.: **54,345**

[22] Filed: **May 13, 1996**

[30] Foreign Application Priority Data

Nov. 13, 1995	[JP]	Japan	7-34183
Dec. 26, 1995	[JP]	Japan	7-39154

[51] LOC (6) Cl. **21-02**

[52] U.S. Cl. **D21/220**

[58] Field of Search **D21/220; 473/350,**
473/282-292

[56] References Cited

U.S. PATENT DOCUMENTS

D. 264,368	5/1982	Van Dyke et al.	D21/220
D. 377,381	1/1997	Takahashi et al.	D21/220
5,377,985	1/1995	Ohnishi	D21/220 X
5,501,460	3/1996	Scheie	473/290
5,540,437	7/1996	Bamber	473/350 X

OTHER PUBLICATIONS

Japanese Design Journal issued on Dec. 4, 1990 (Reg. No. 722823 Similar Design No. 1 owned by Maruman golf Kabushiki Kaisha).

Primary Examiner—Raphael Barkai

Assistant Examiner—Mitchell I. Siegel

Attorney, Agent, or Firm—Cushman Darby & Cushman
Intellectual Property Group of Pillsbury Madison & Sutro
LLP

[57] CLAIM

The ornamental design for a golf club head, as shown and described.

DESCRIPTION

FIG. 1 is a top, front and right side of the perspective view of a golf club head showing our new design;

FIG. 2 is a front elevational view thereof;

FIG. 3 is a top plan view thereof;

FIG. 4 is a left side elevational view thereof;

FIG. 5 is a right side elevational view thereof;

FIG. 6 is a rear elevational view thereof;

FIG. 7 is a bottom view thereof;

FIG. 8 is a top, front and right side of the perspective view of the other embodiment showing our new design;

FIG. 9 is a front elevational view thereof;

FIG. 10 is a top plan view thereof;

FIG. 11 is a left side elevational view thereof;

FIG. 12 is a right side elevational view thereof;

FIG. 13 is a rear elevational view thereof; and,

FIG. 14 is a bottom view thereof.

1 Claim, 4 Drawing Sheets

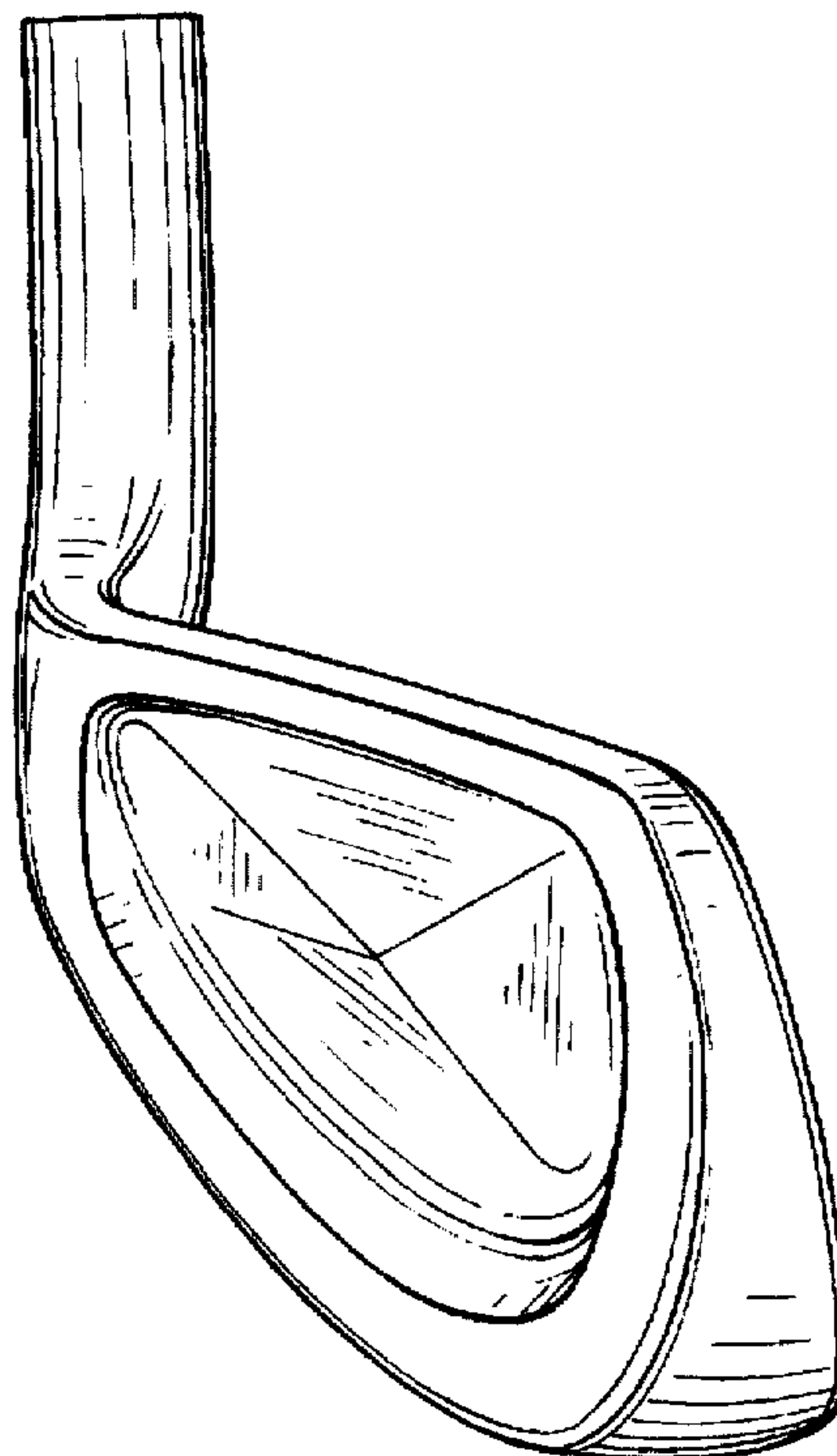


FIG. 1

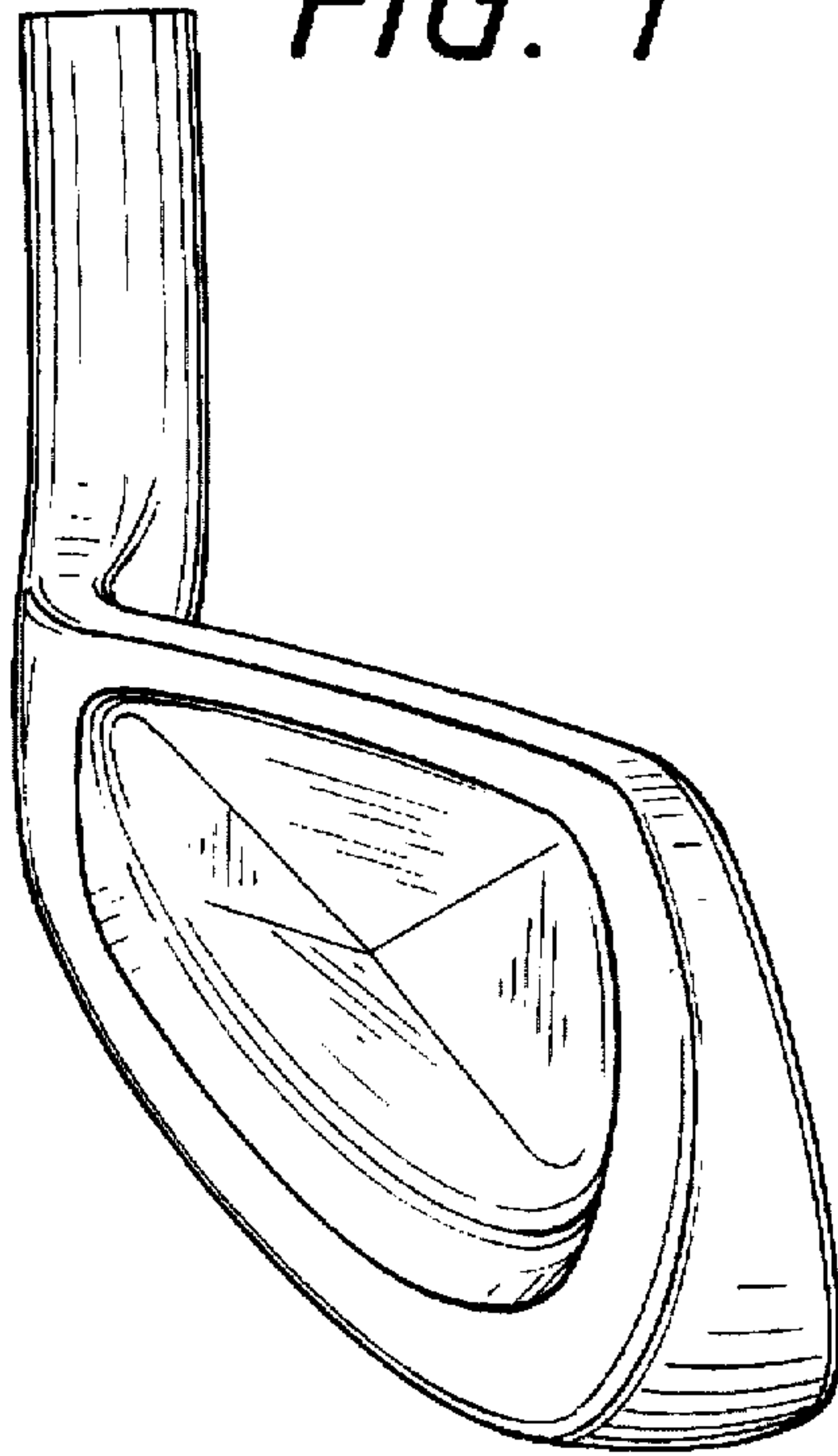


FIG. 2

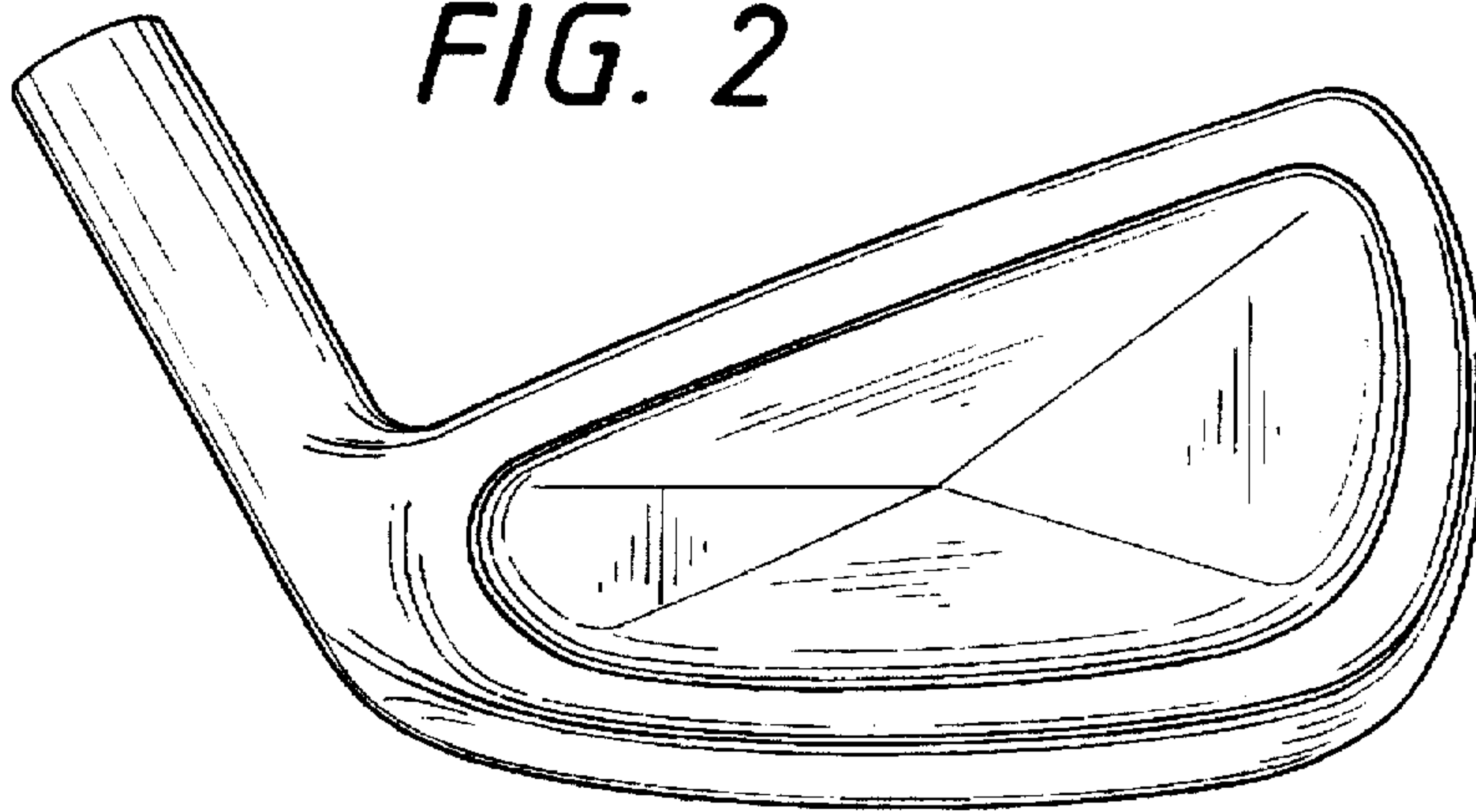


FIG. 3

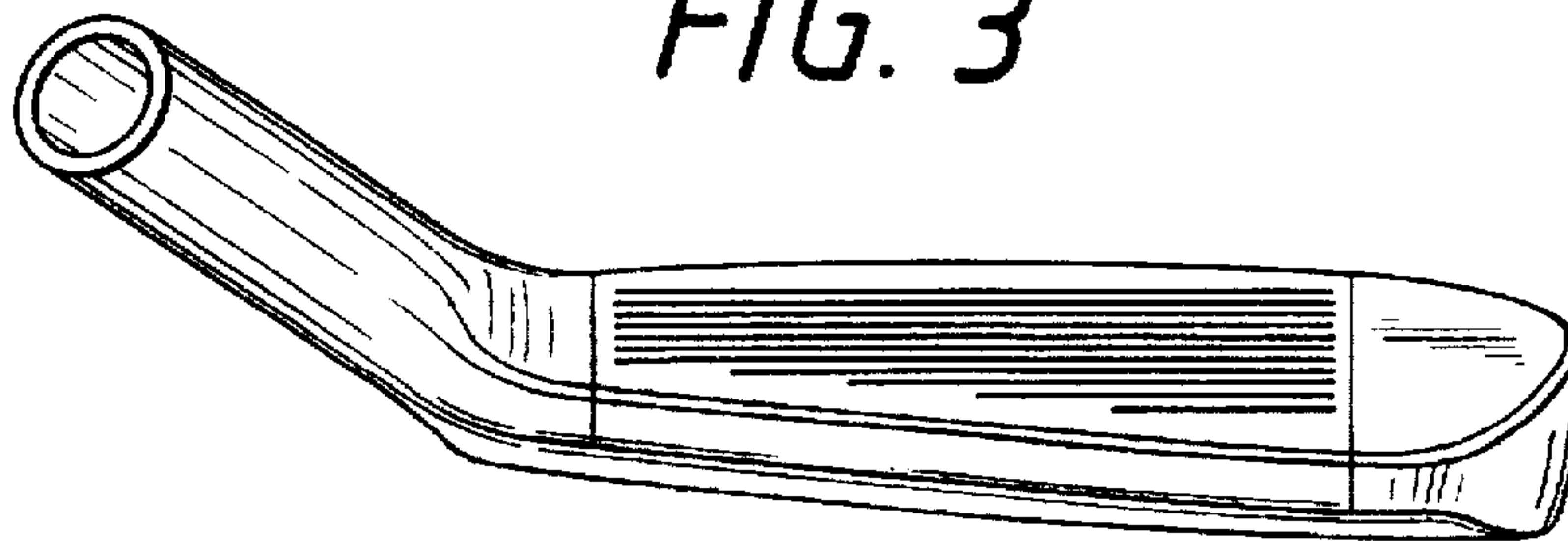


FIG. 4

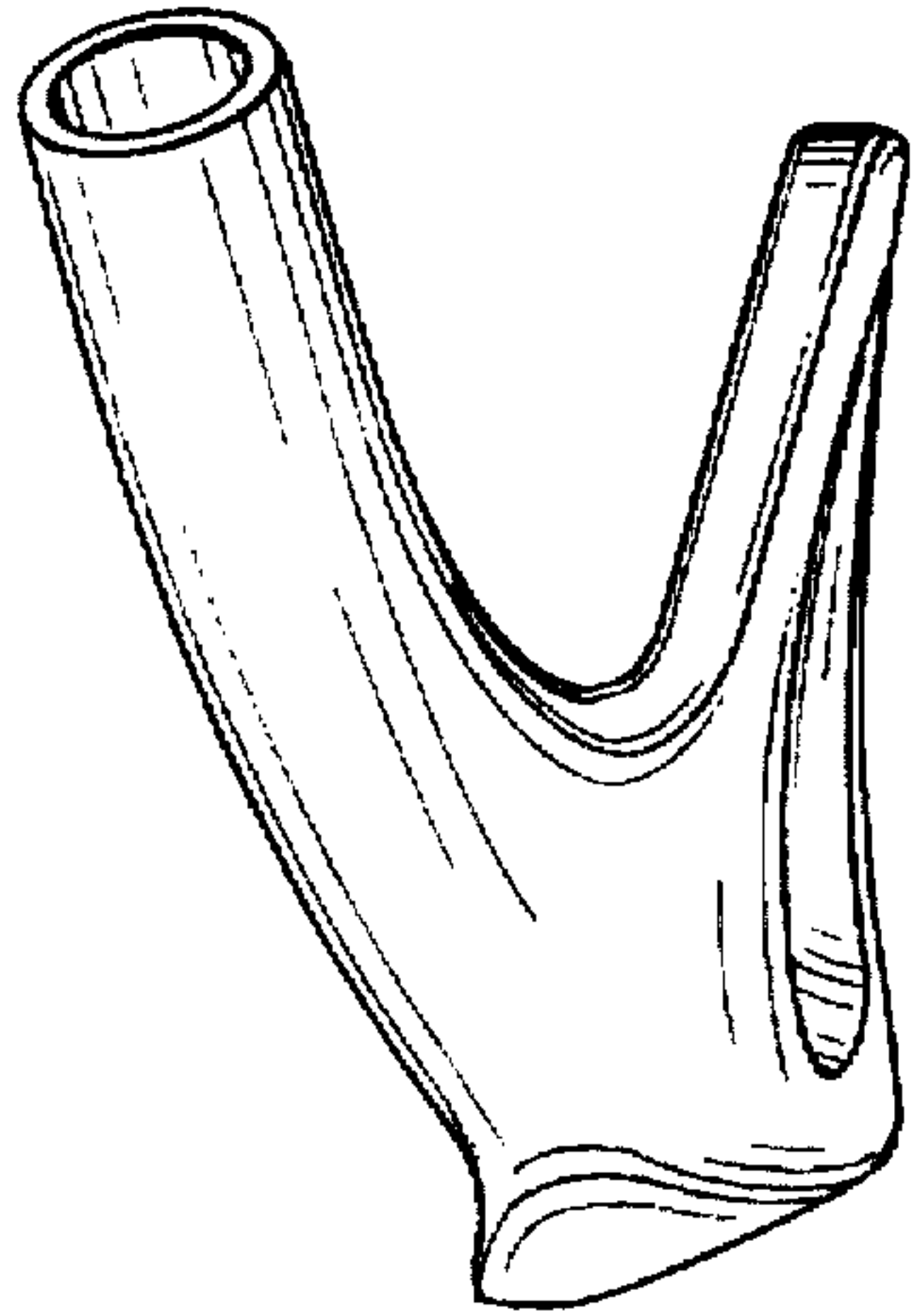


FIG. 5

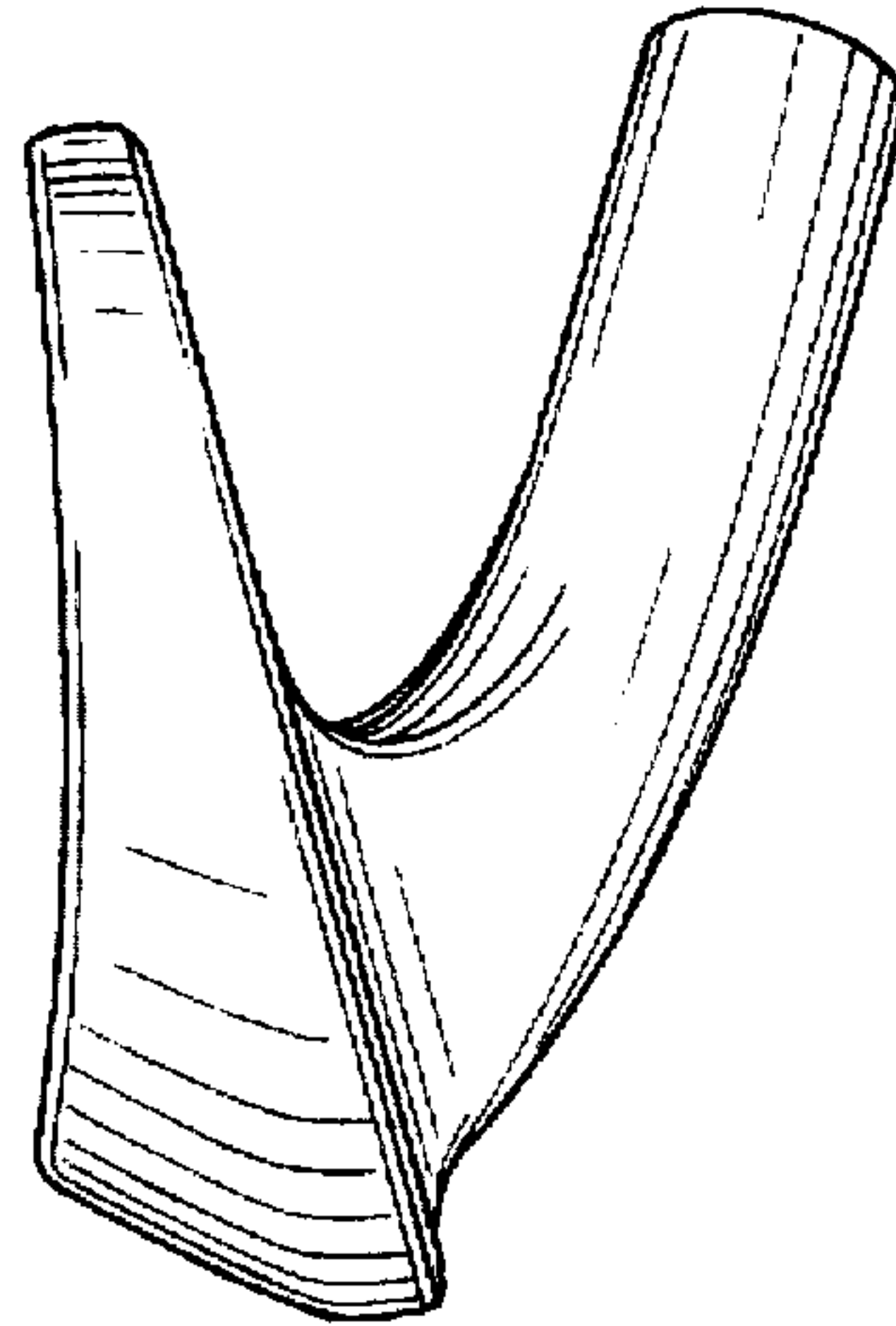


FIG. 6

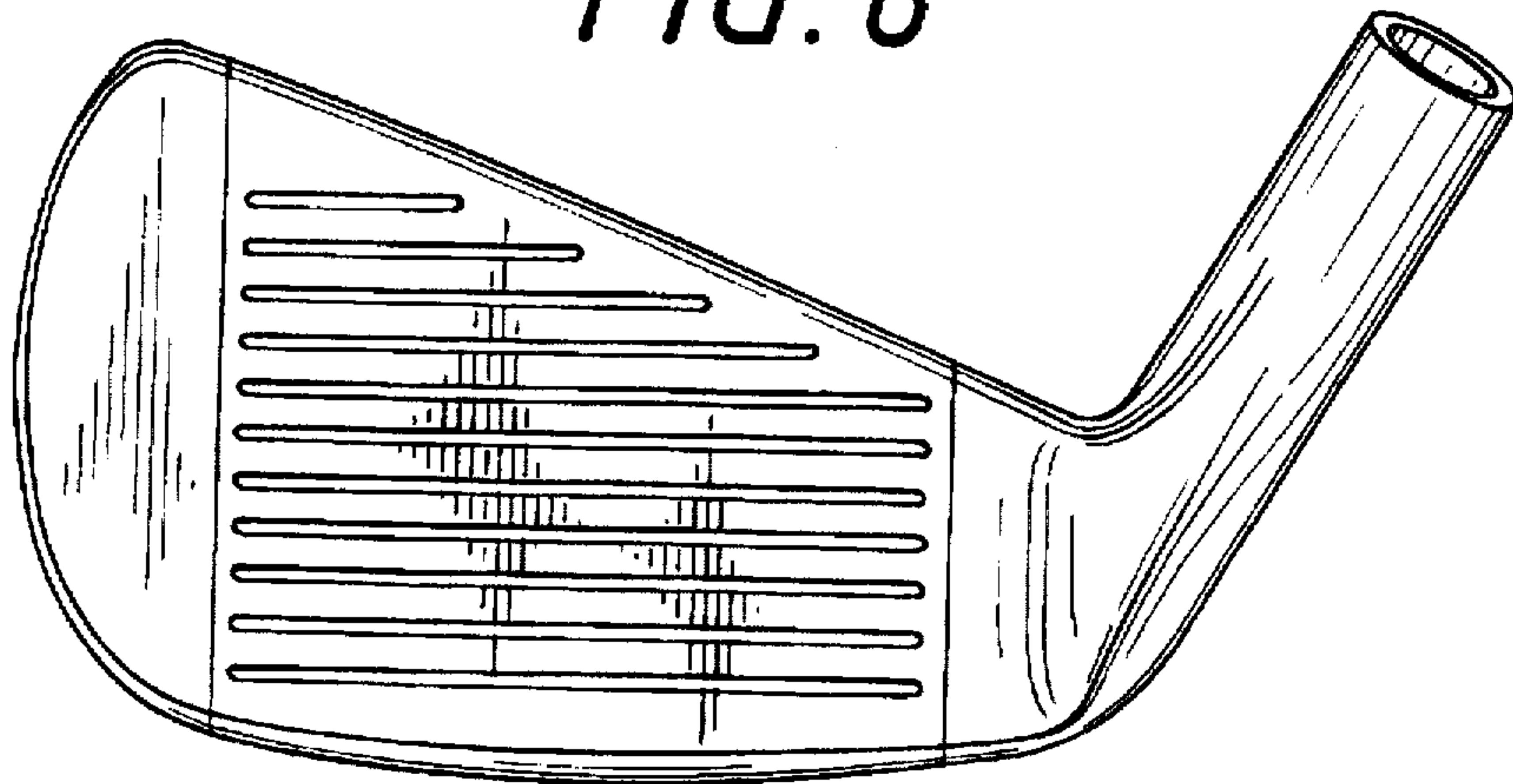


FIG. 7



FIG. 8

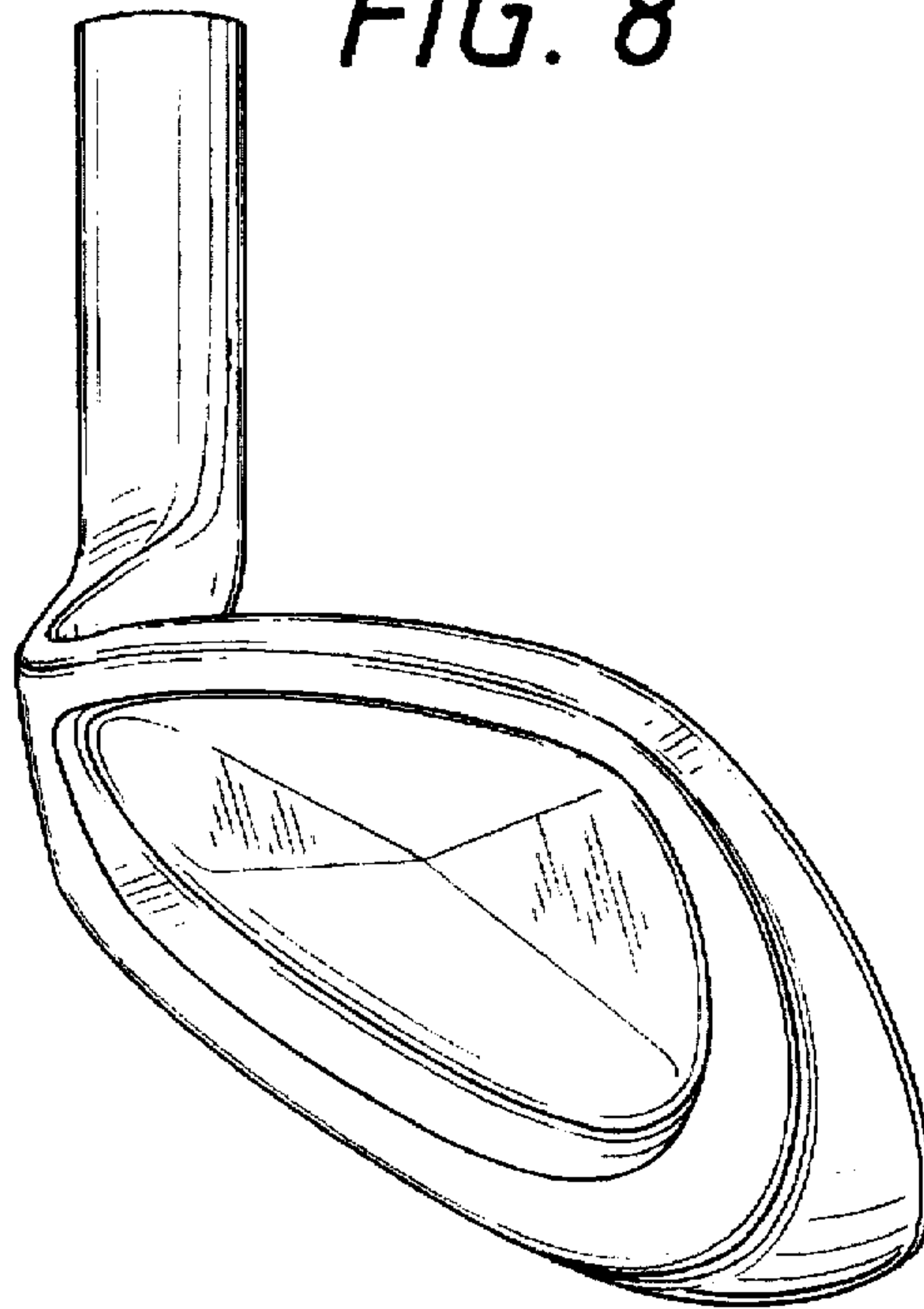


FIG. 9

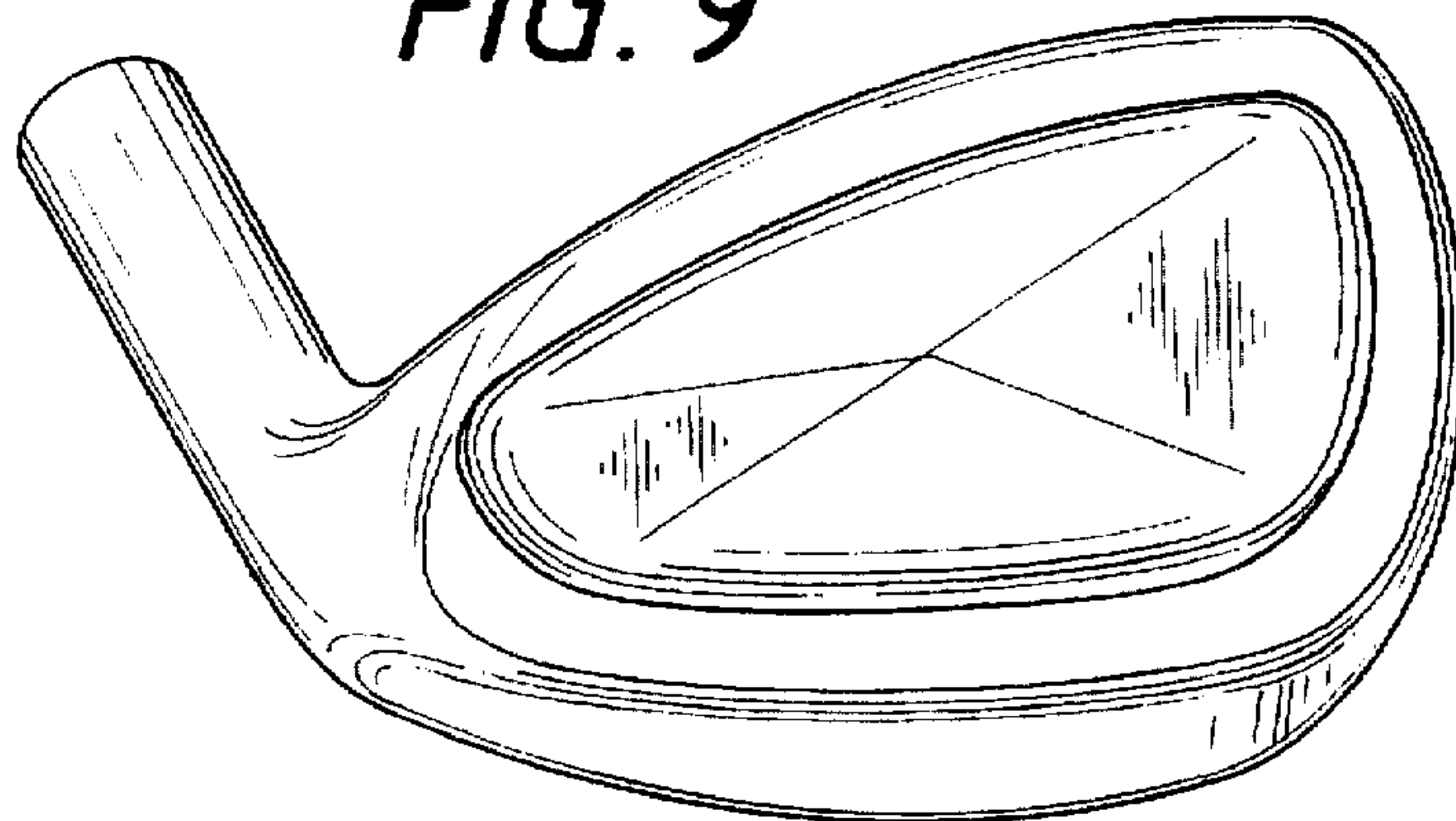


FIG. 10

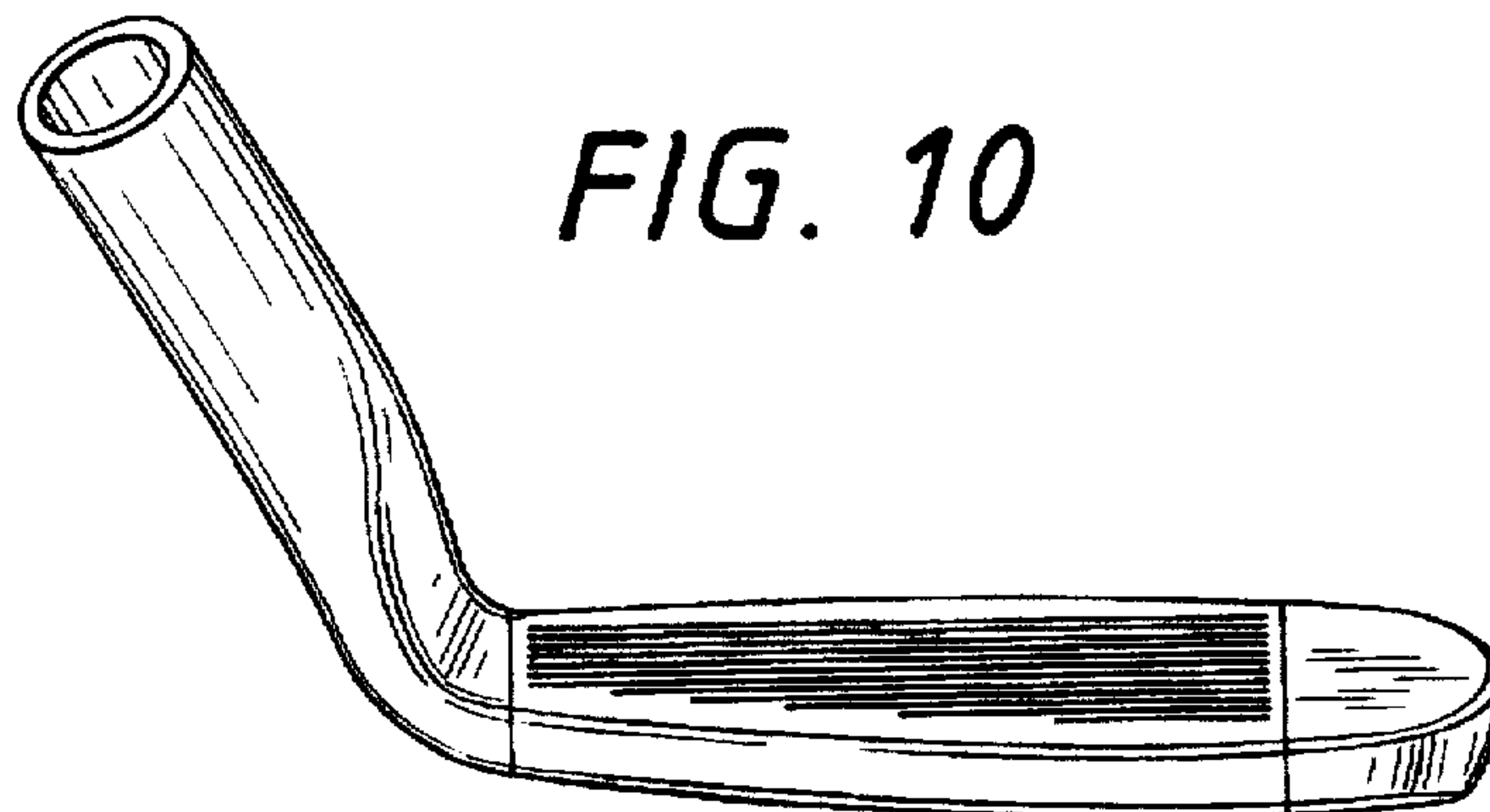


FIG. 11

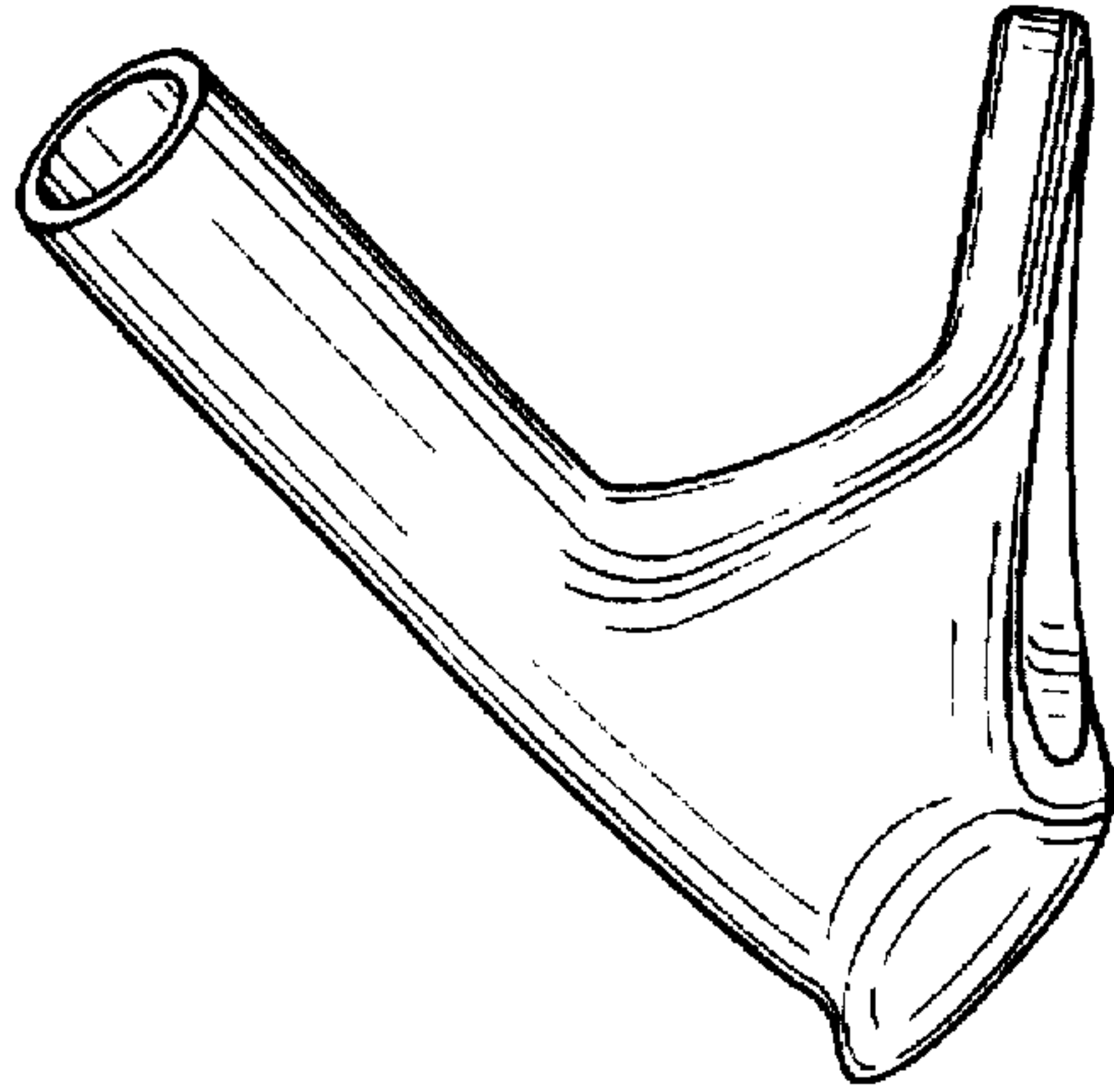


FIG. 12

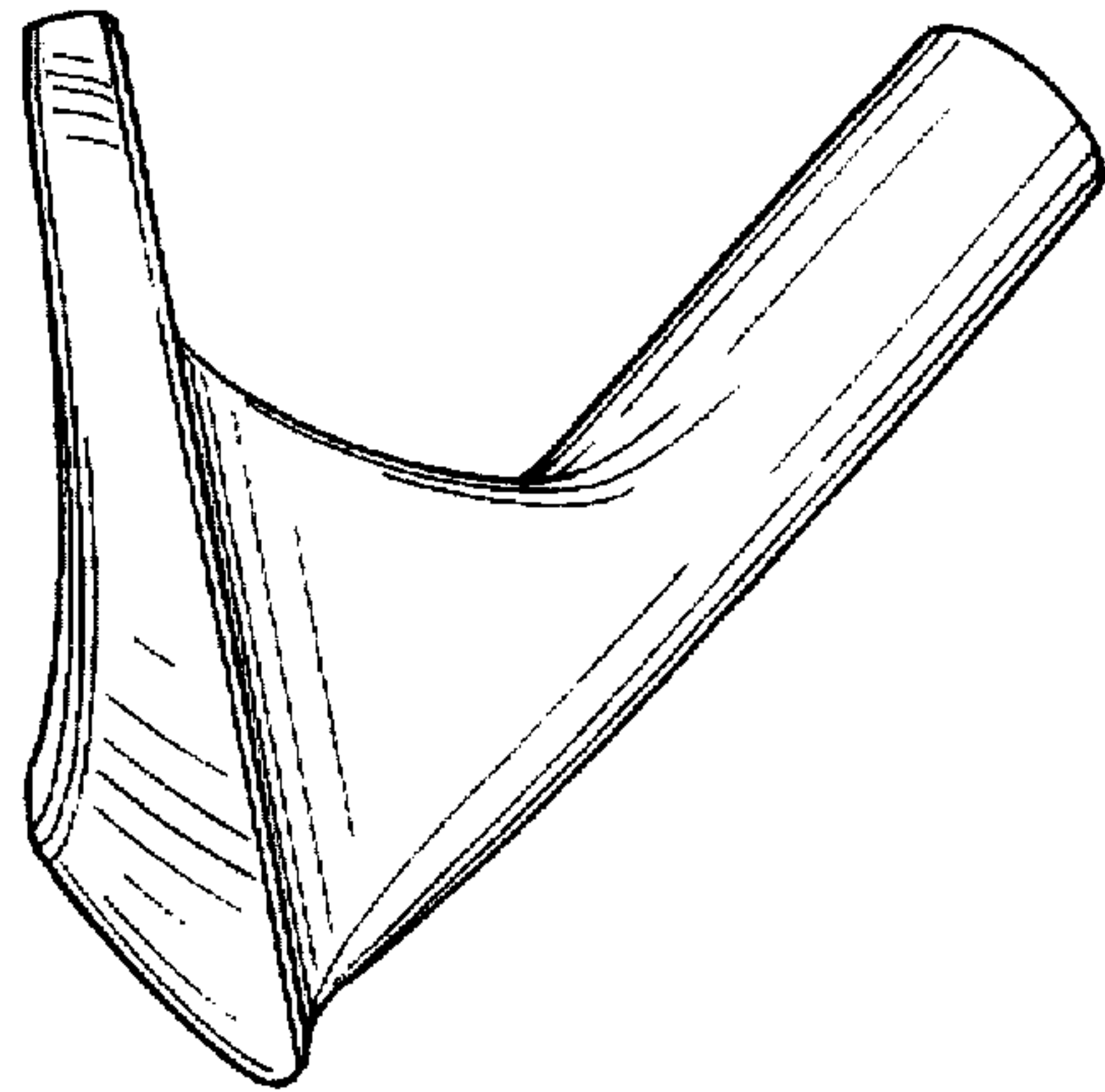


FIG. 13

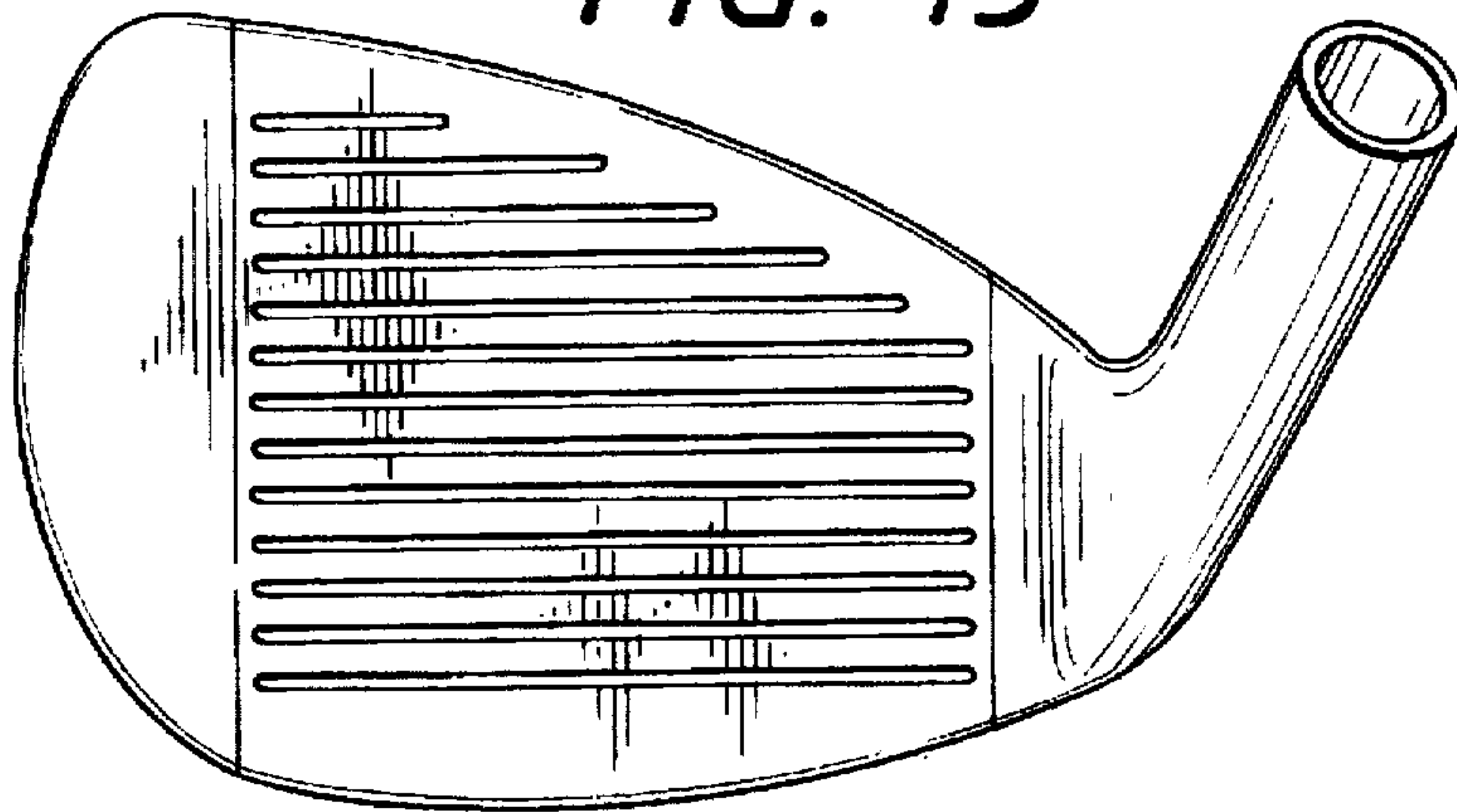


FIG. 14

