



US00D386536S

# United States Patent [19] Borgen

[11] Patent Number: Des. 386,536

[45] Date of Patent: \*\*Nov. 18, 1997

## [54] ADVERTISEMENT CARRYING DEVICE

[76] Inventor: **Terje Borgen**, Glennevn. 43, N-1476 Rasta, Norway

[\*\*] Term: **14 Years**

[21] Appl. No.: **53,190**

[22] Filed: **Apr. 17, 1996**

### [30] Foreign Application Priority Data

Oct. 19, 1995 [NO] Norway ..... 950801

[51] LOC (6) Cl. .... **20-03**

[52] U.S. Cl. .... **D20/43; D20/44; D20/10**

[58] Field of Search ..... 40/308, 642, 647, 40/649, 650, 660, 607; D20/43, 44, 40, 10

### [56] References Cited

#### U.S. PATENT DOCUMENTS

D. 205,177	7/1966	Drugan et al.	.....	D20/43
3,270,454	9/1966	Lachance	.....	D20/44 X
3,281,978	11/1966	Drugan et al.	.....	D20/44 X
5,301,443	4/1994	Gori	.....	40/611 X

Primary Examiner—Susan J. Lucas

Assistant Examiner—Jennifer Register

Attorney, Agent, or Firm—Pollock, Vande Sande & Priddy

## [57] CLAIM

The ornamental design for an advertisement carrying device, as shown and described.

## DESCRIPTION

FIG. 1 is a perspective view from above and one end of the advertisement carrying device embodying my new ornamental design;

FIG. 2 is a perspective view from above and one end in open position of the advertisement carrying device;

FIG. 3 is a side view in direction of arrow A of the advertisement carrying device;

FIG. 4 is a side view in direction of arrow B of the advertisement carrying device;

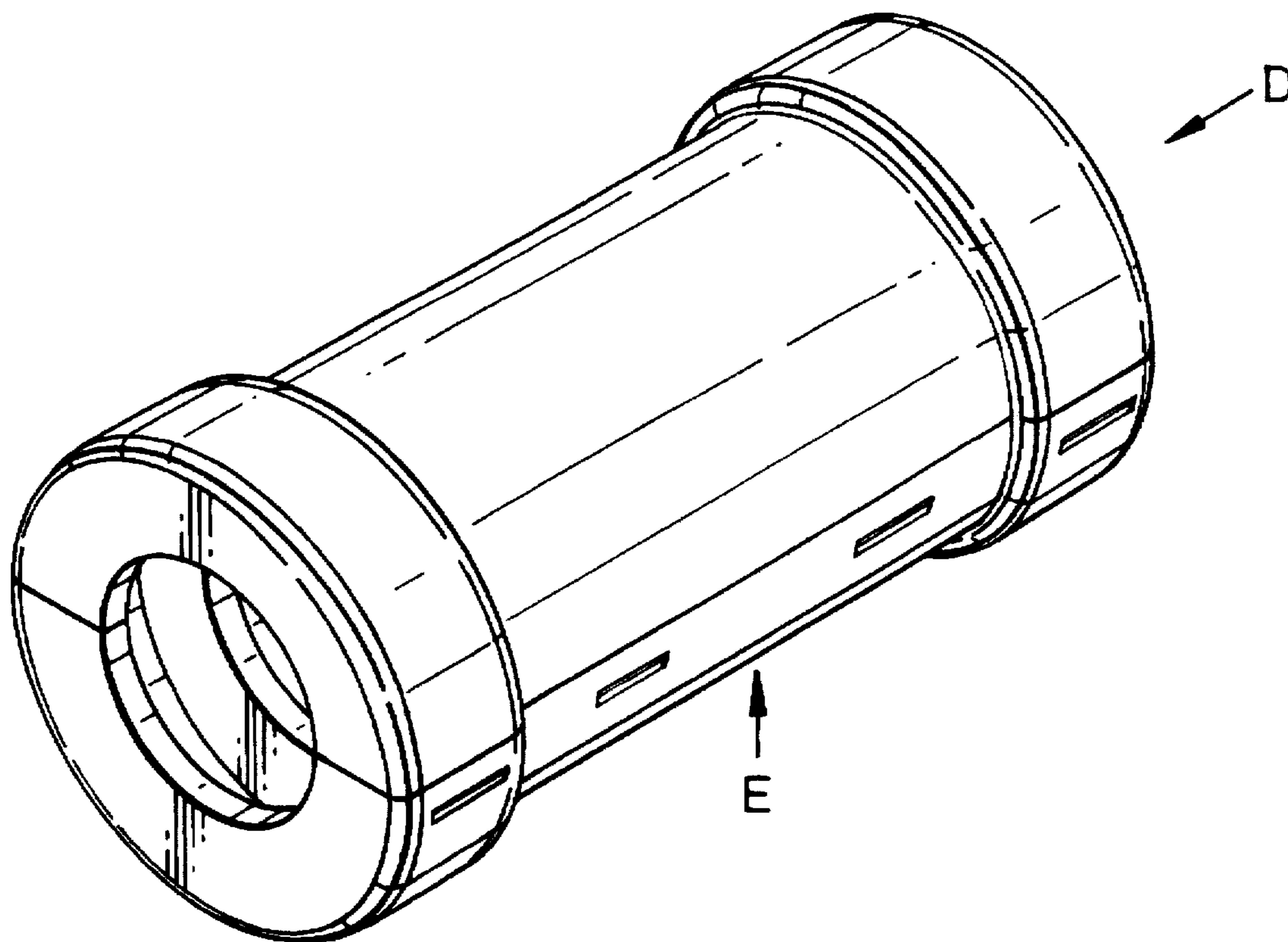
FIG. 5 is an end view in direction of arrow C of the advertisement carrying device;

FIG. 6 is an end view in direction of arrow D of the advertisement carrying device;

FIG. 7 is an underneath plan view in direction of arrow E of the advertisement carrying device; and,

FIG. 8 is a perspective view from below and one end in open position of the advertisement carrying device.

1 Claim, 3 Drawing Sheets



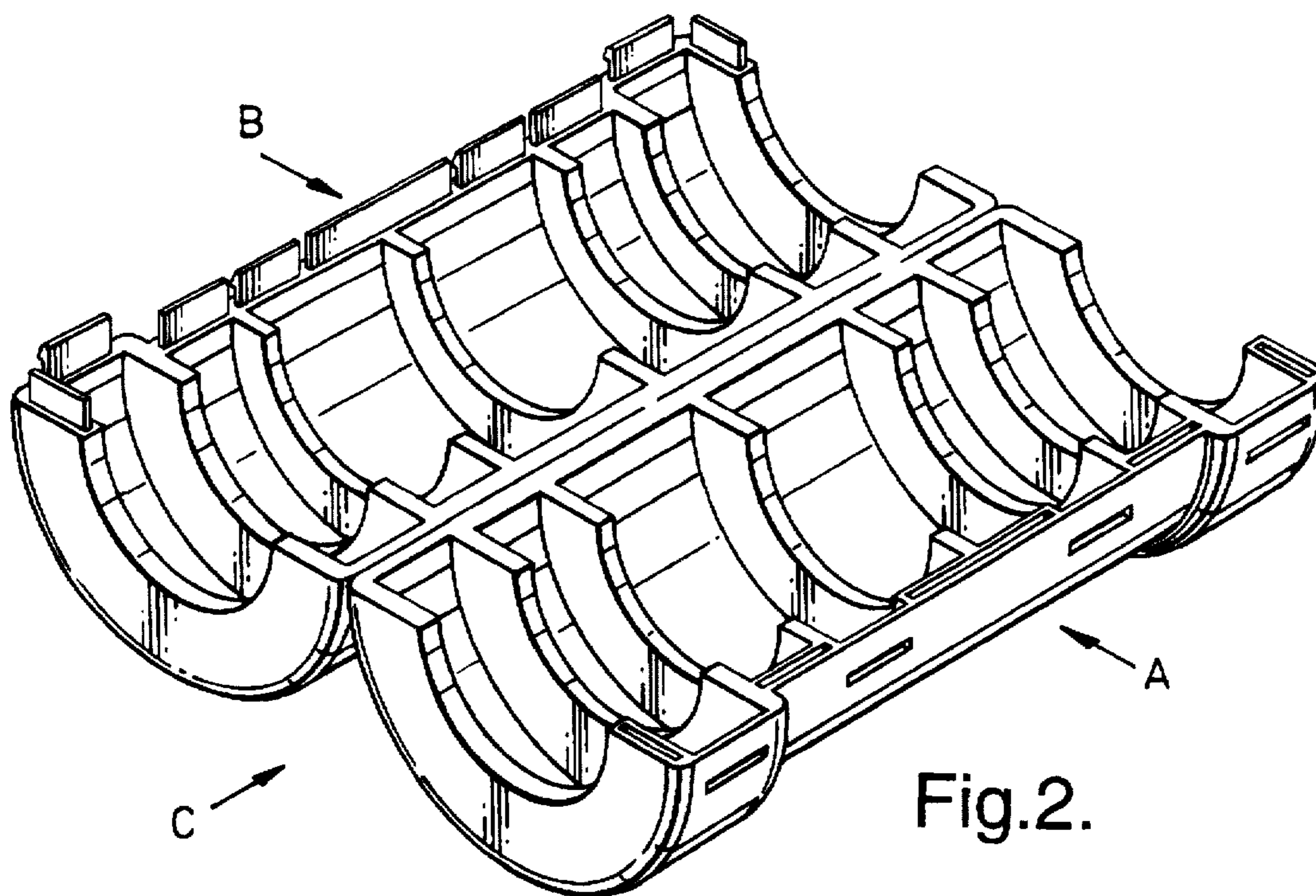
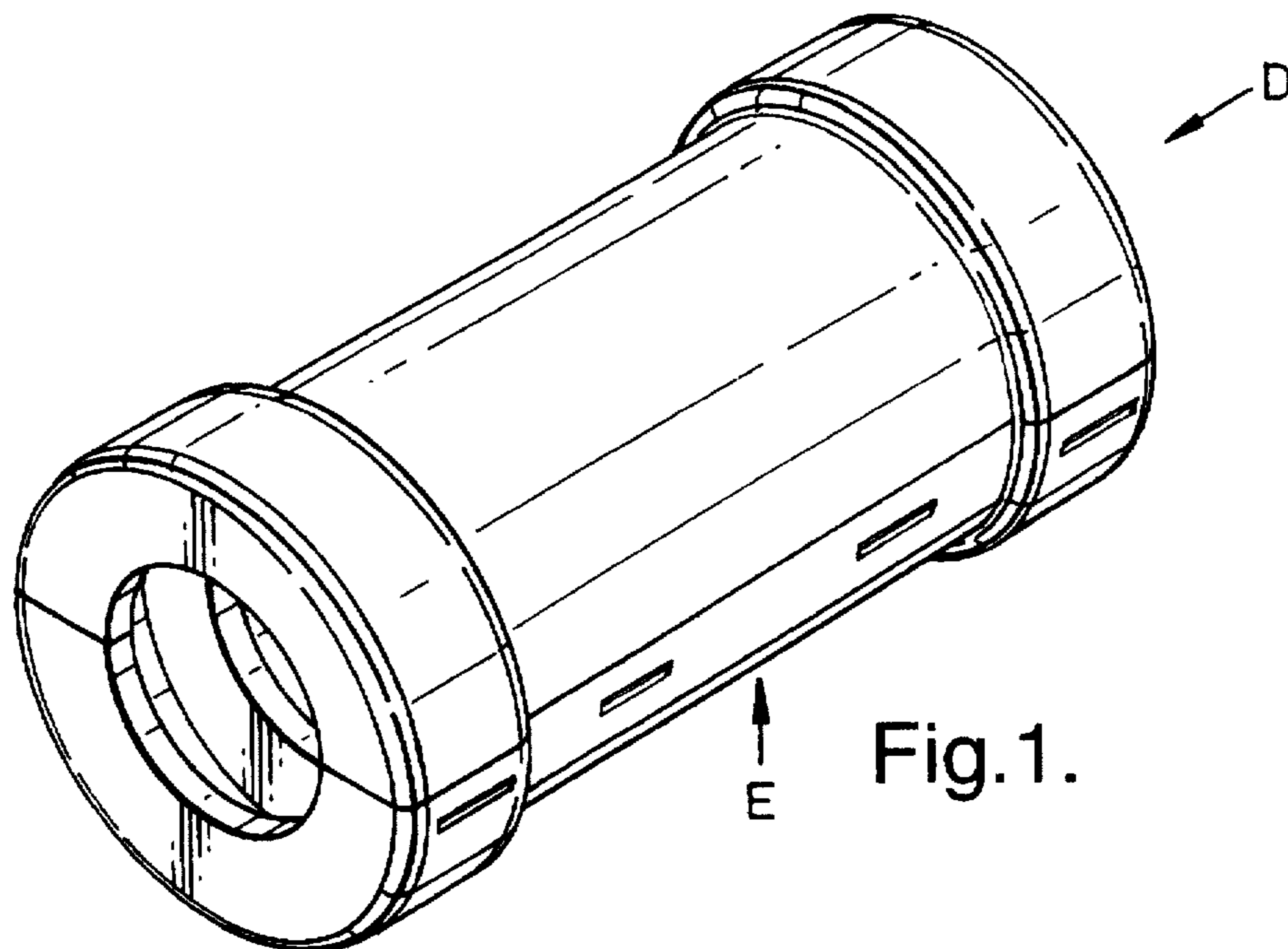


Fig.3.

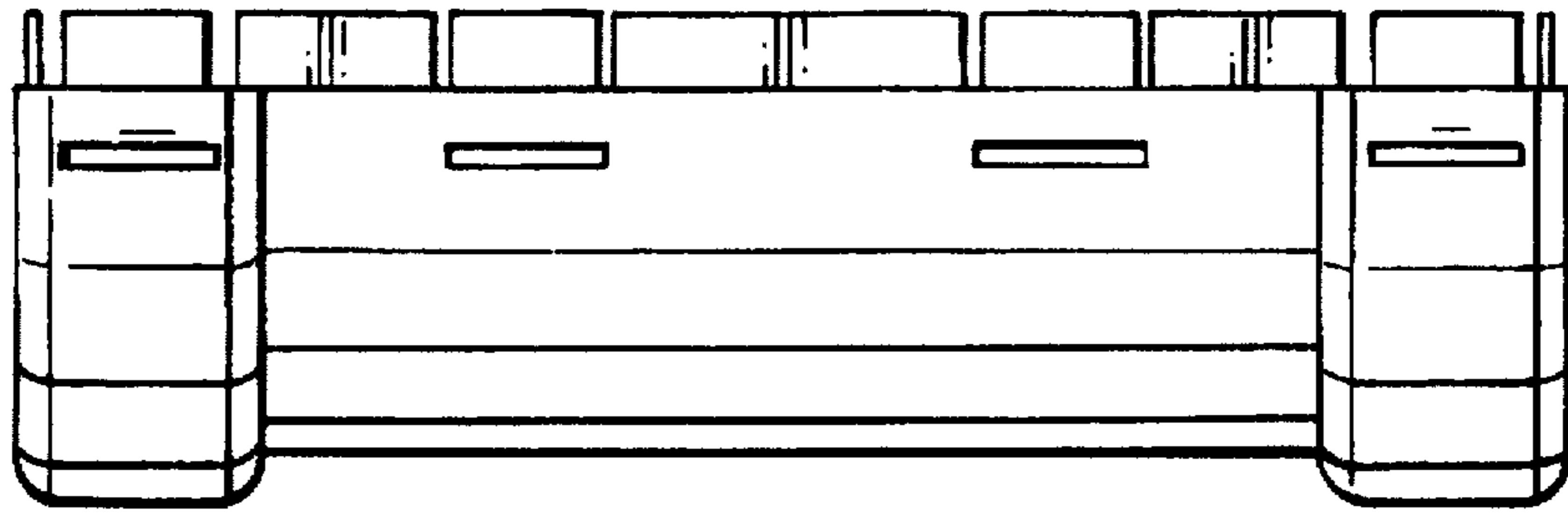


Fig.4.

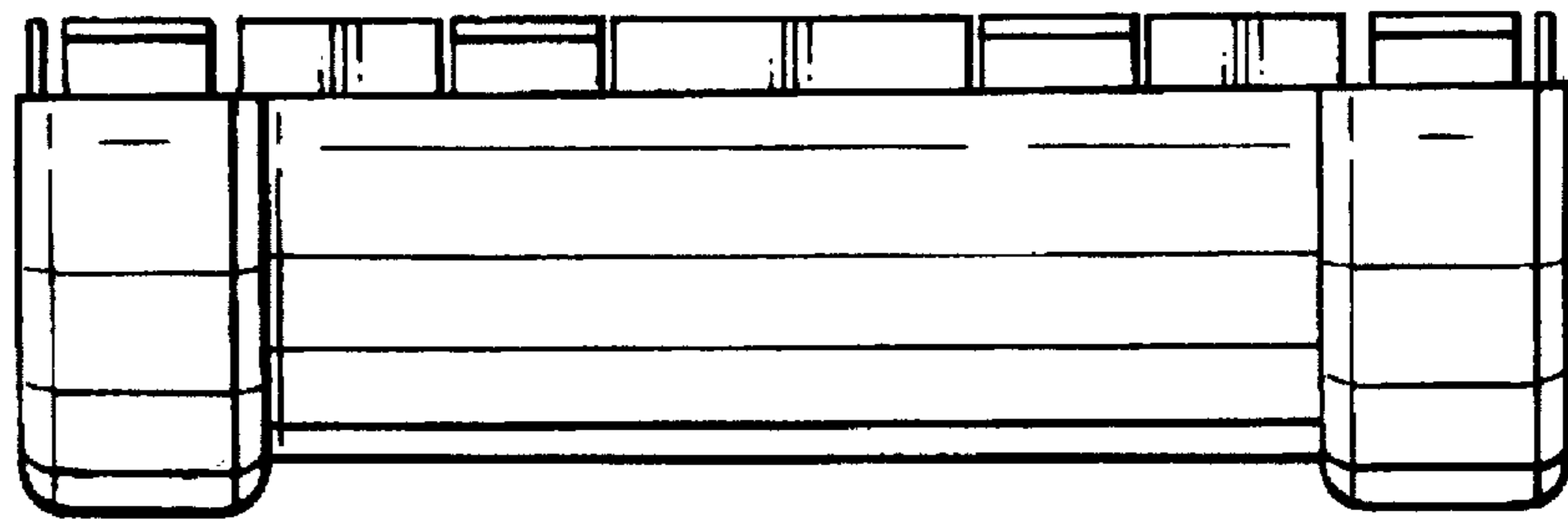


Fig.5.

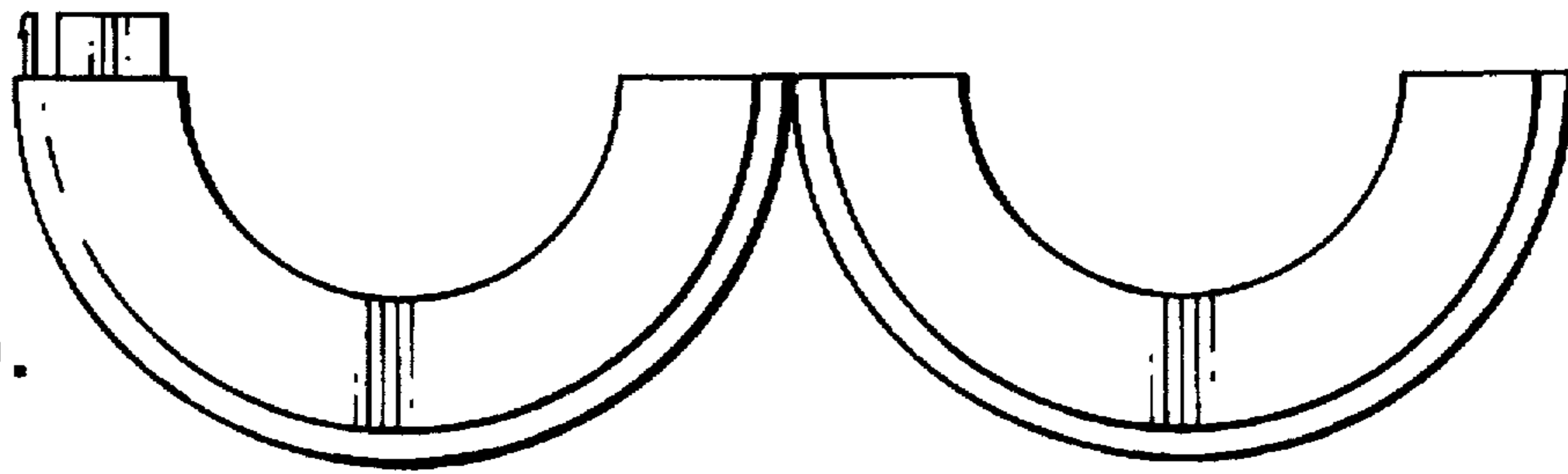
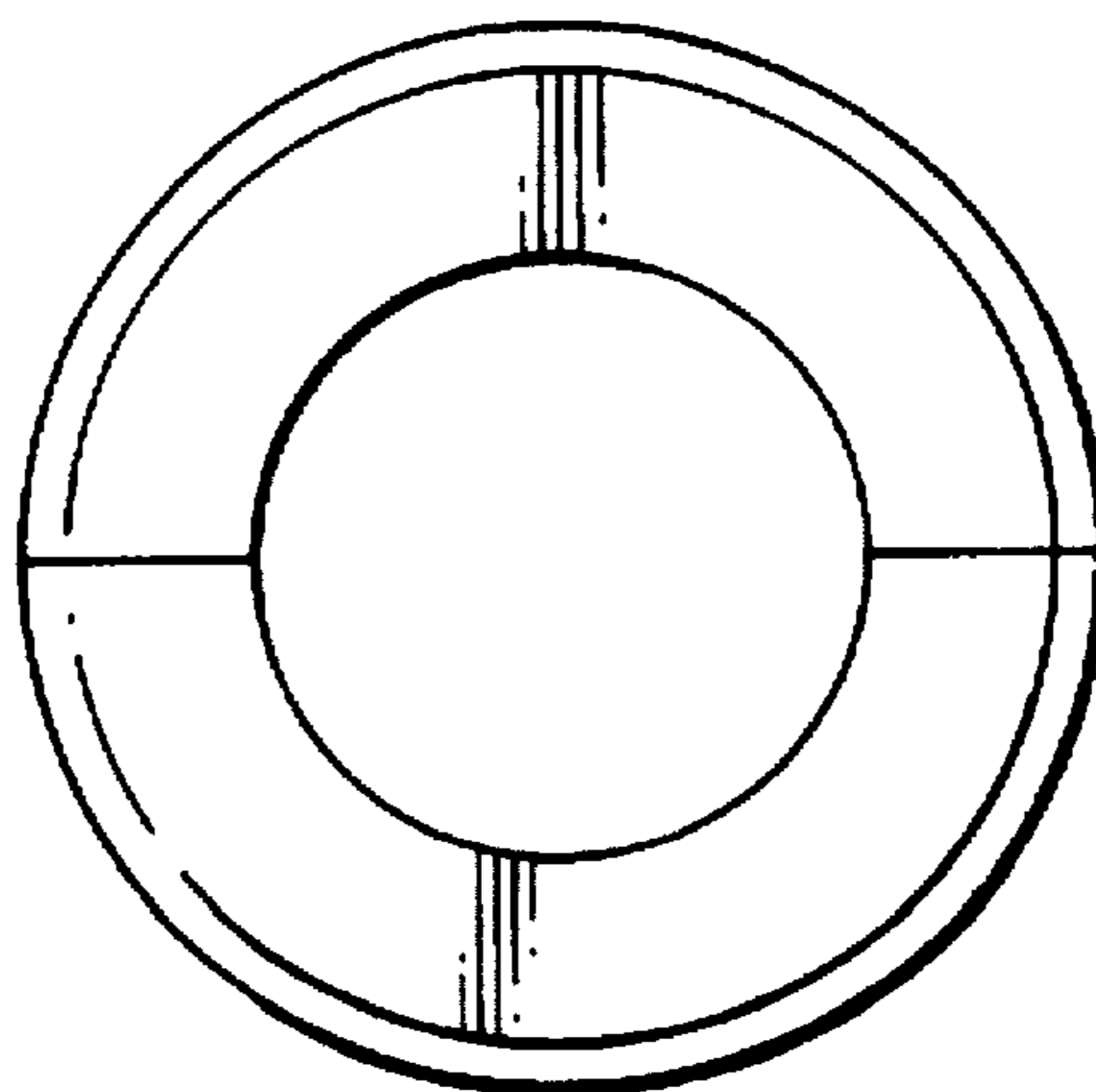


Fig.6.





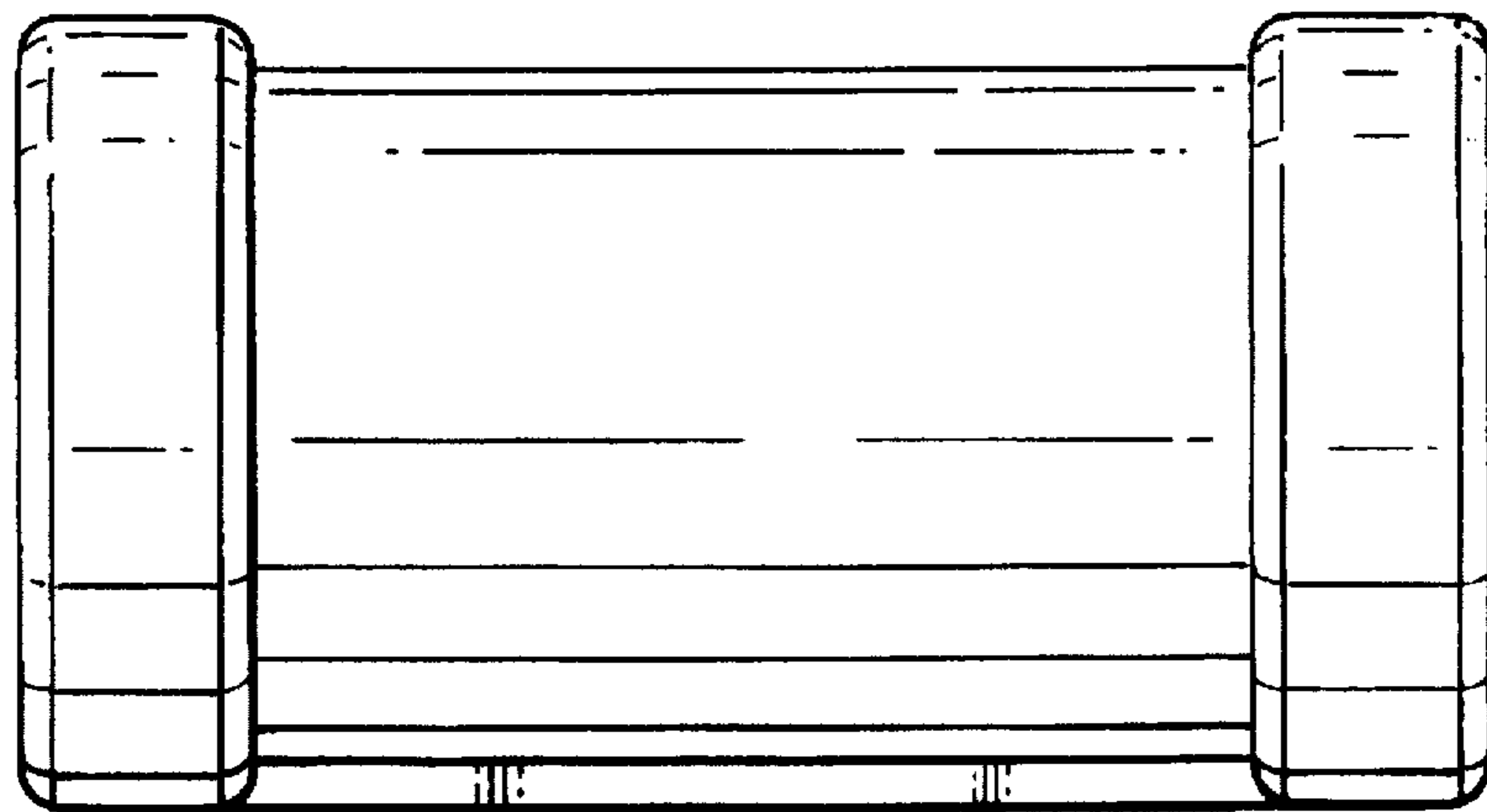


Fig. 7.

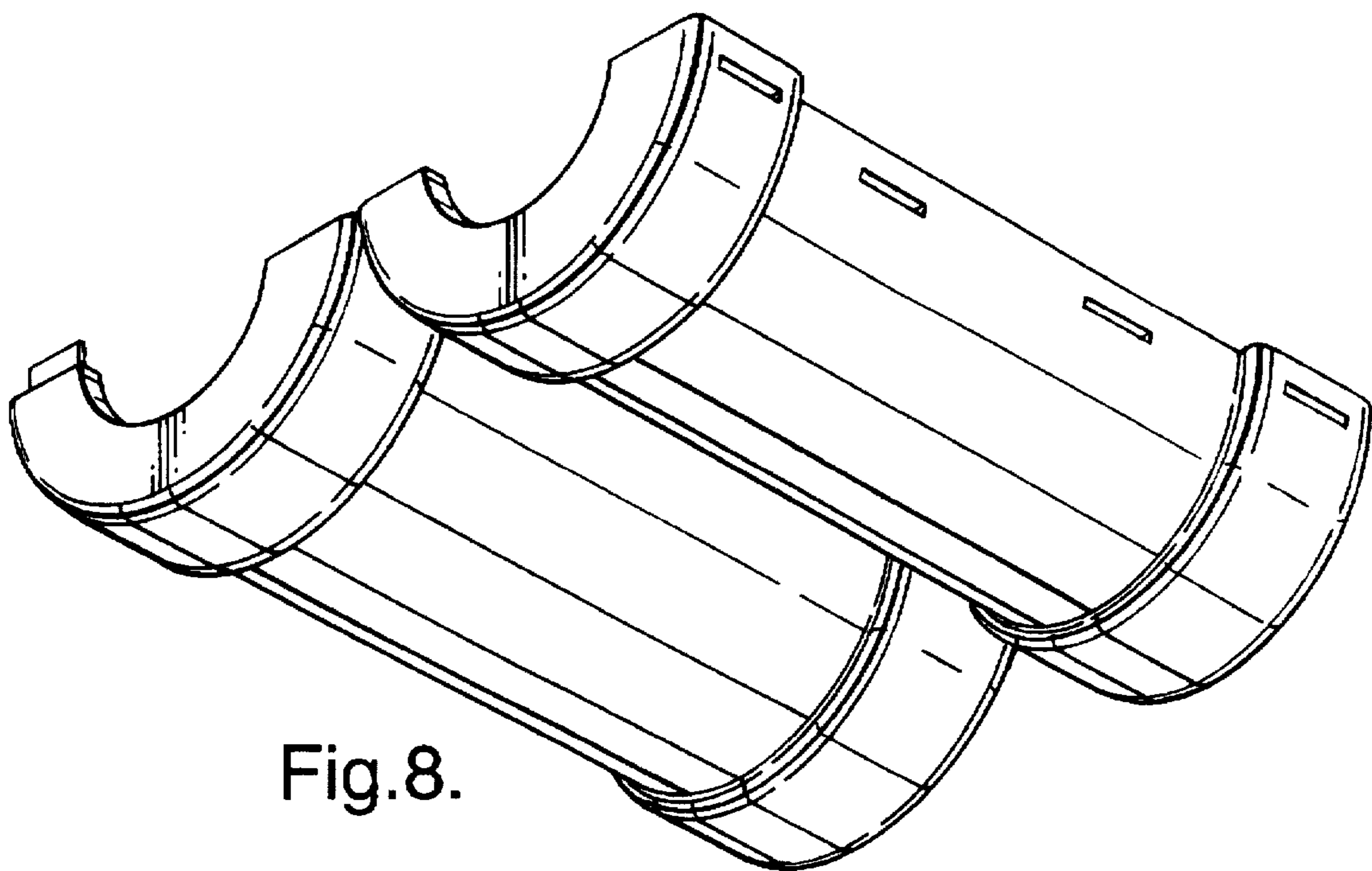


Fig. 8.