

US00D386531S

# United States Patent [19] Callas

[11] Patent Number: **Des. 386,531**  
[45] Date of Patent: **\*\*\*Nov. 18, 1997**

[54] **ADJUSTABLE SIGN HOLDER**  
[76] Inventor: **Mike T. Callas**, 120 Gideons Point Rd.,  
Tonka Bay, Minn. 55331

[\*] Notice: The portion of the term of this patent  
subsequent to Aug. 20, 2010, has been  
disclaimed.

[\*\*] Term: **14 Years**

[21] Appl. No.: **42,570**

[22] Filed: **Aug. 14, 1995**

[51] **LOC (6) Cl.** ..... **20-02**

[52] **U.S. Cl.** ..... **D20/40; D25/119**

[58] **Field of Search** ..... D20/10, 39, 40,  
D20/42, 43, 44; 40/1, 1.6, 642, 643, 644,  
649, 650, 658, 661, 662; D25/119

[56] **References Cited**

**U.S. PATENT DOCUMENTS**

- D. 240,709 7/1976 Vandenberg et al. .
- D. 275,867 10/1984 Zazzara et al. .... D20/43
- D. 283,674 5/1986 Paradis et al. .
- D. 289,251 4/1987 Joseph .
- D. 308,547 6/1990 Kendes ..... D20/43
- D. 311,426 10/1990 Ytter ..... D20/43
- D. 321,639 11/1991 Adams .
- D. 321,914 11/1991 Tam .
- D. 347,449 5/1994 Garfinkle ..... D20/43
- D. 350,157 8/1994 Hart .
- 1,417,325 5/1922 Hopp .
- 1,717,156 6/1929 Johansson .
- 2,704,409 3/1955 Randall .
- 3,743,228 7/1973 Drab .
- 3,936,913 2/1976 Weissman .

- 3,952,985 4/1976 Davenport .
- 4,112,550 9/1978 DeWitt et al. .
- 4,118,000 10/1978 Campbell .
- 4,135,692 1/1979 Ferguson .
- 4,223,488 9/1980 Schoenung .
- 4,315,611 2/1982 Hoop .
- 4,318,525 3/1982 Welch .
- 4,392,316 7/1983 Thomas .
- 4,564,165 1/1986 Grant et al. .
- 4,667,913 5/1987 Peelle et al. .
- 5,188,332 2/1993 Callas .
- 5,381,991 1/1995 Stocker .

**FOREIGN PATENT DOCUMENTS**

1030537 5/1958 Germany .

*Primary Examiner*—Marcus A. Jackson  
*Attorney, Agent, or Firm*—Burd, Bartz & Gutenkauf

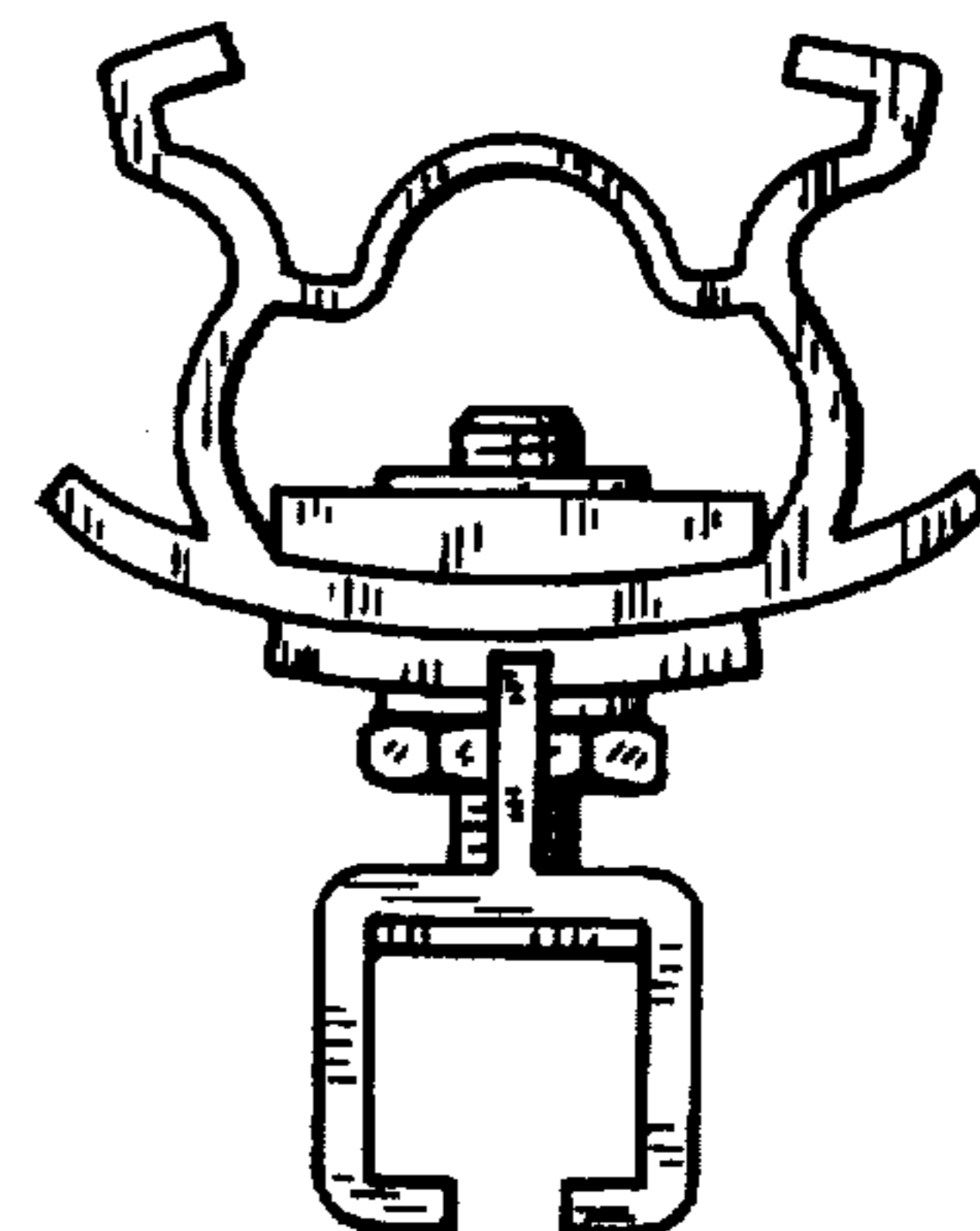
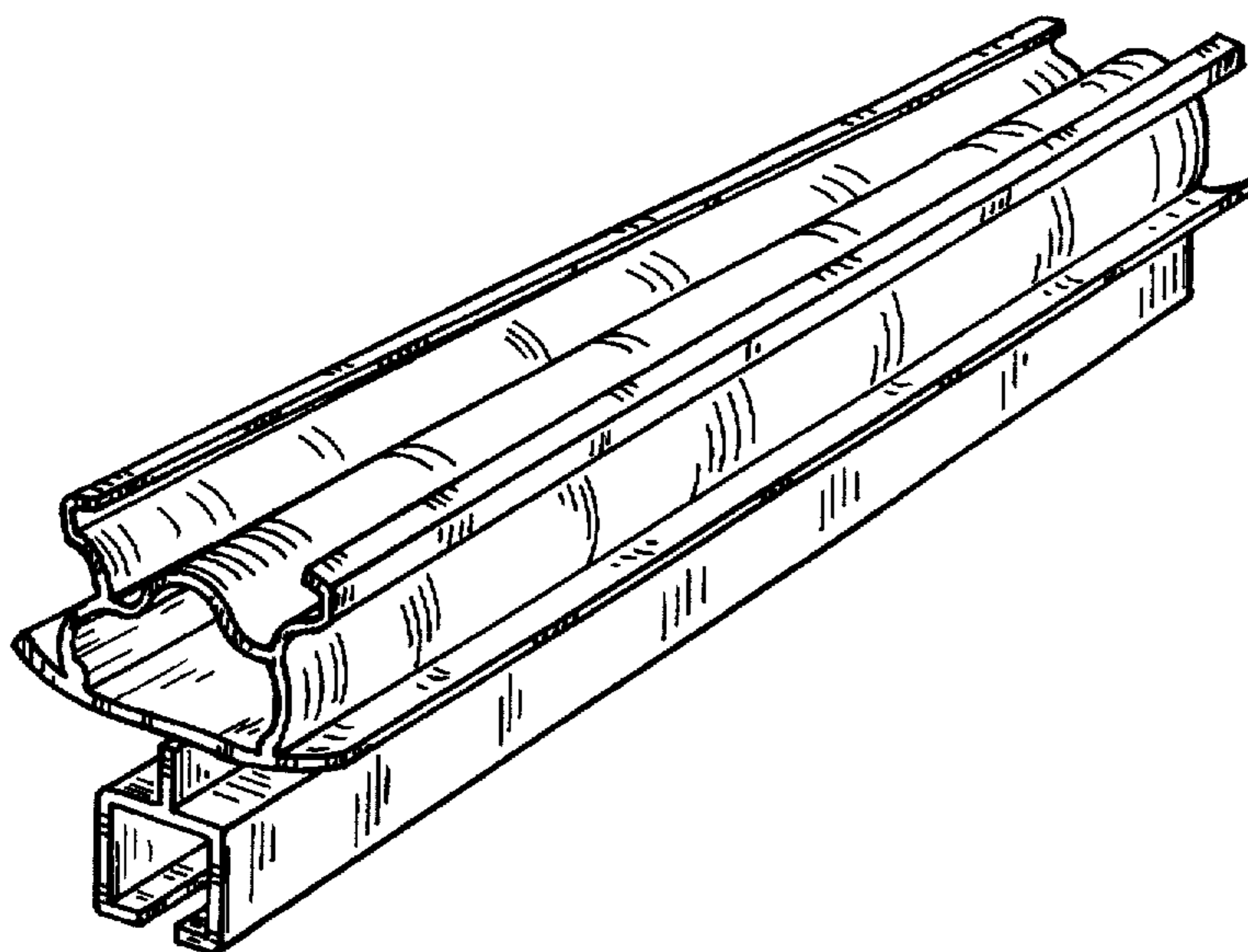
[57] **CLAIM**

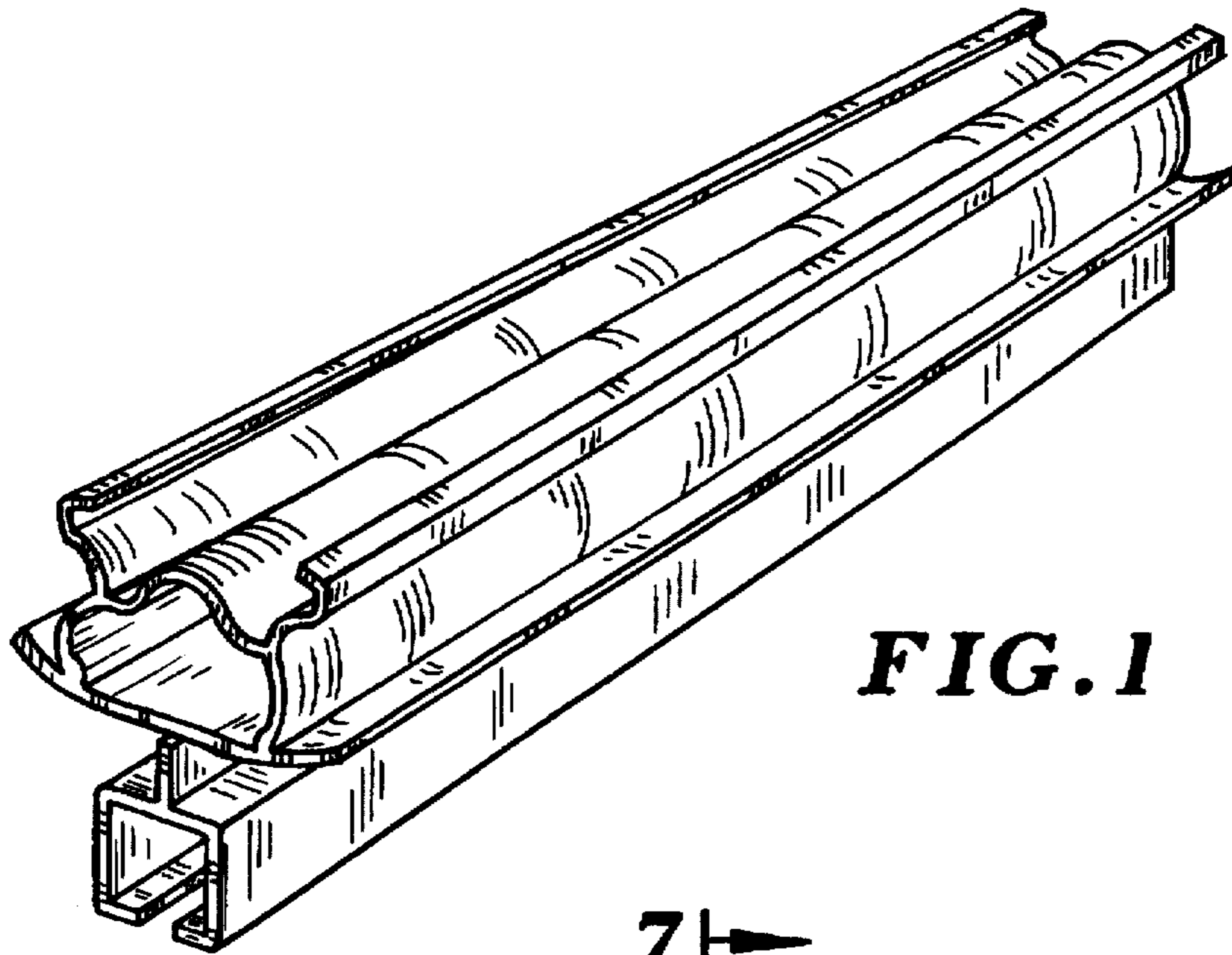
The ornamental design for a adjustable sign holder, as shown  
and described.

**DESCRIPTION**

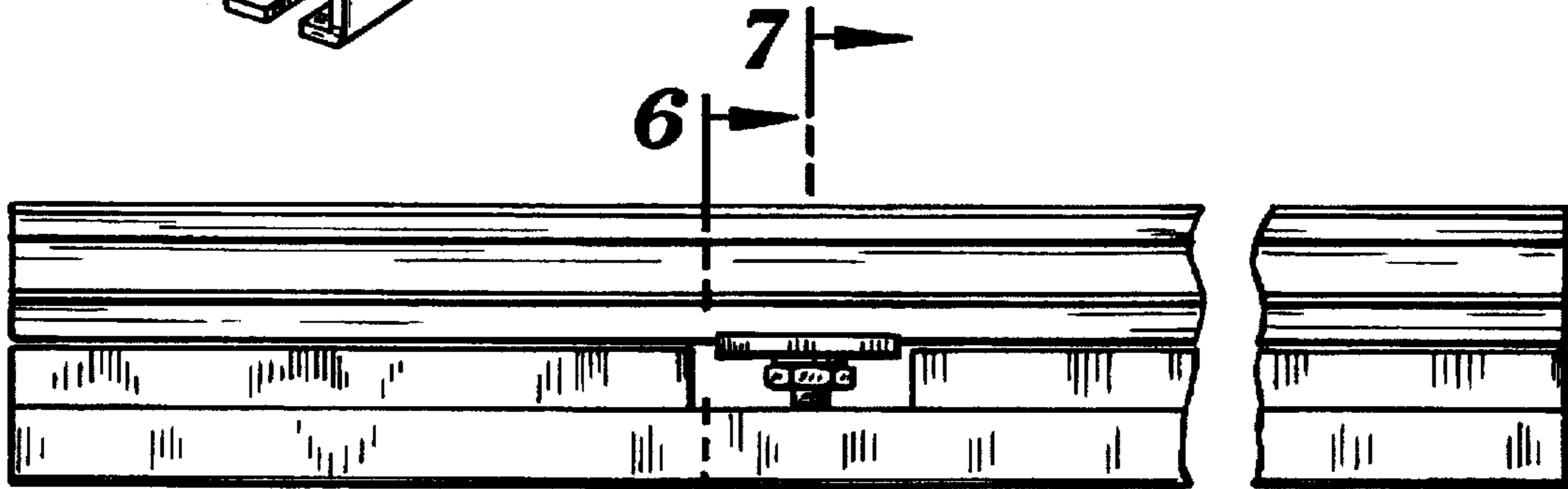
FIG. 1 is a perspective view showing the adjustable sign holder of my new design;  
 FIG. 2 is a foreshortened side elevational view thereof, the opposite side being a mirror image thereof, with the portion broken away to indicate indeterminate length;  
 FIG. 3 is a foreshortened top plan view thereof;  
 FIG. 4 is a foreshortened bottom plan view thereof;  
 FIG. 5 is an enlarged end elevational view thereof;  
 FIG. 6 is an enlarged sectional view taken along the line 6—6 of FIG. 2; and,  
 FIG. 7 is an enlarged sectional view taken along the line 7—7 of FIG. 2.

**1 Claim, 2 Drawing Sheets**

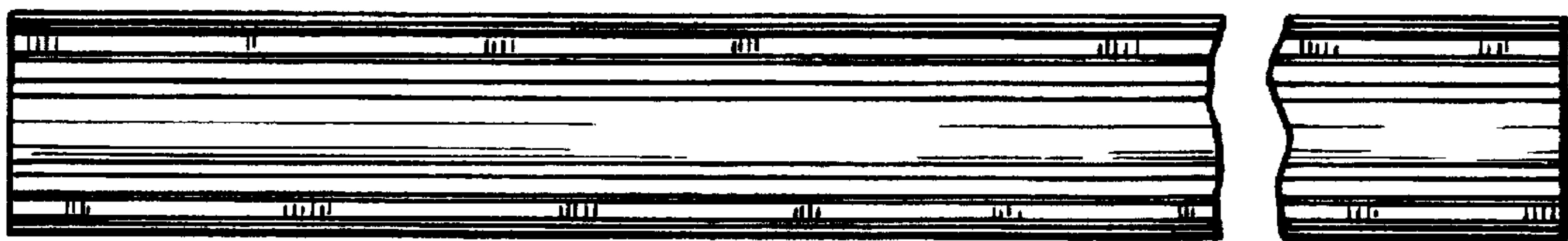




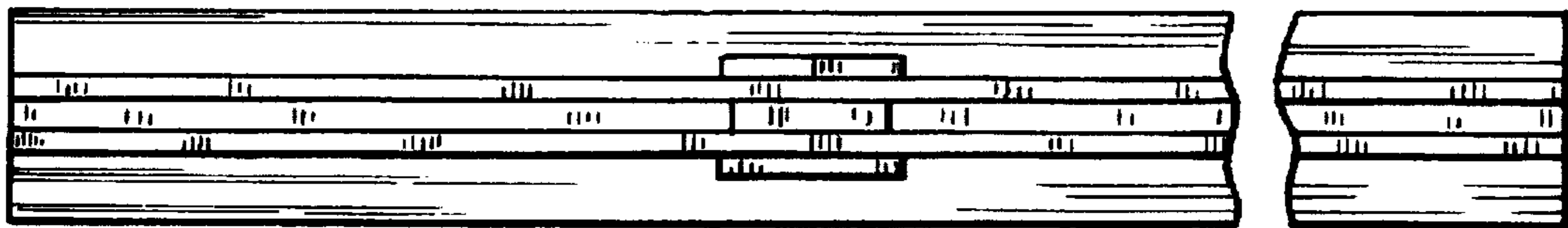
**FIG. 1**



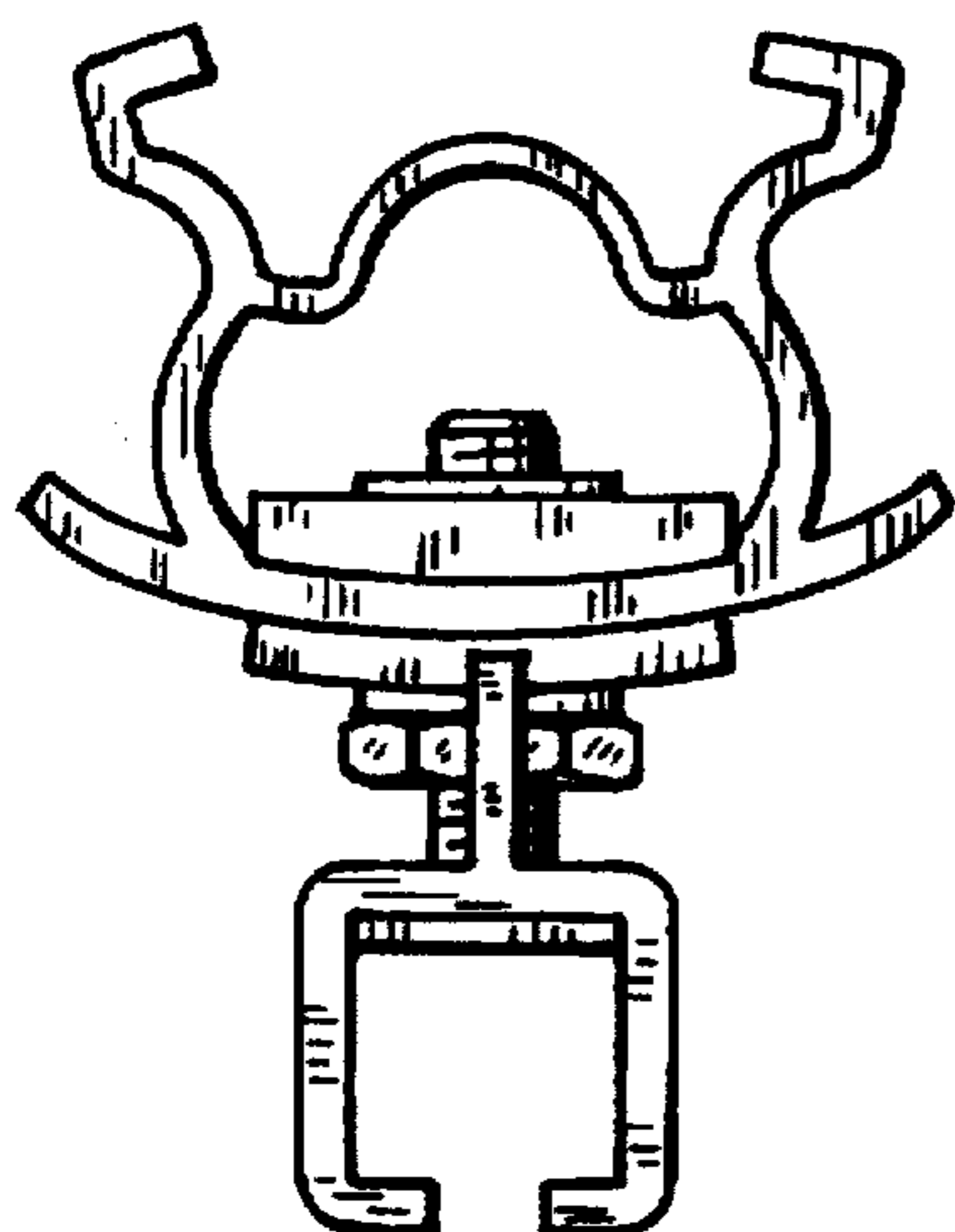
**FIG. 2**



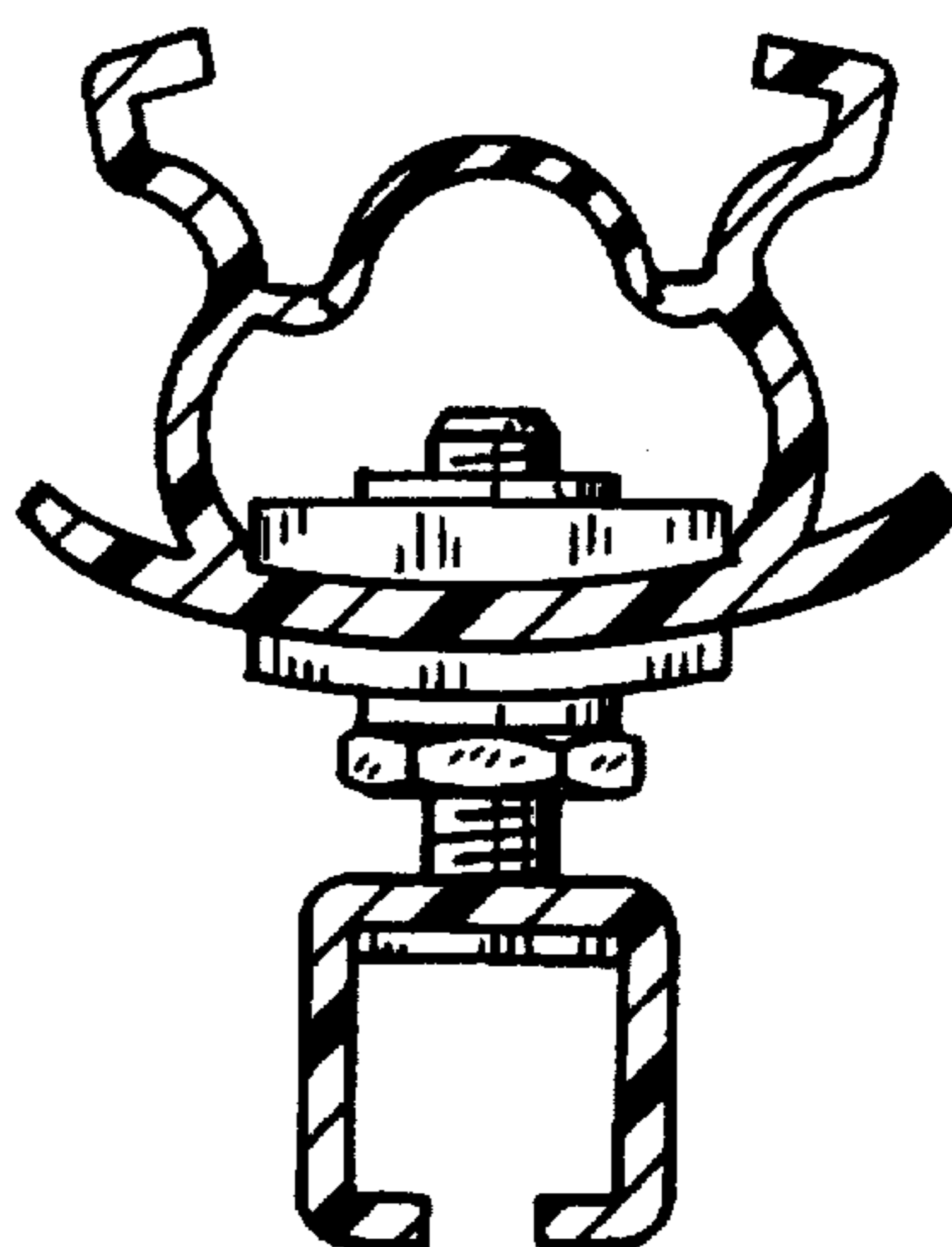
**FIG. 3**



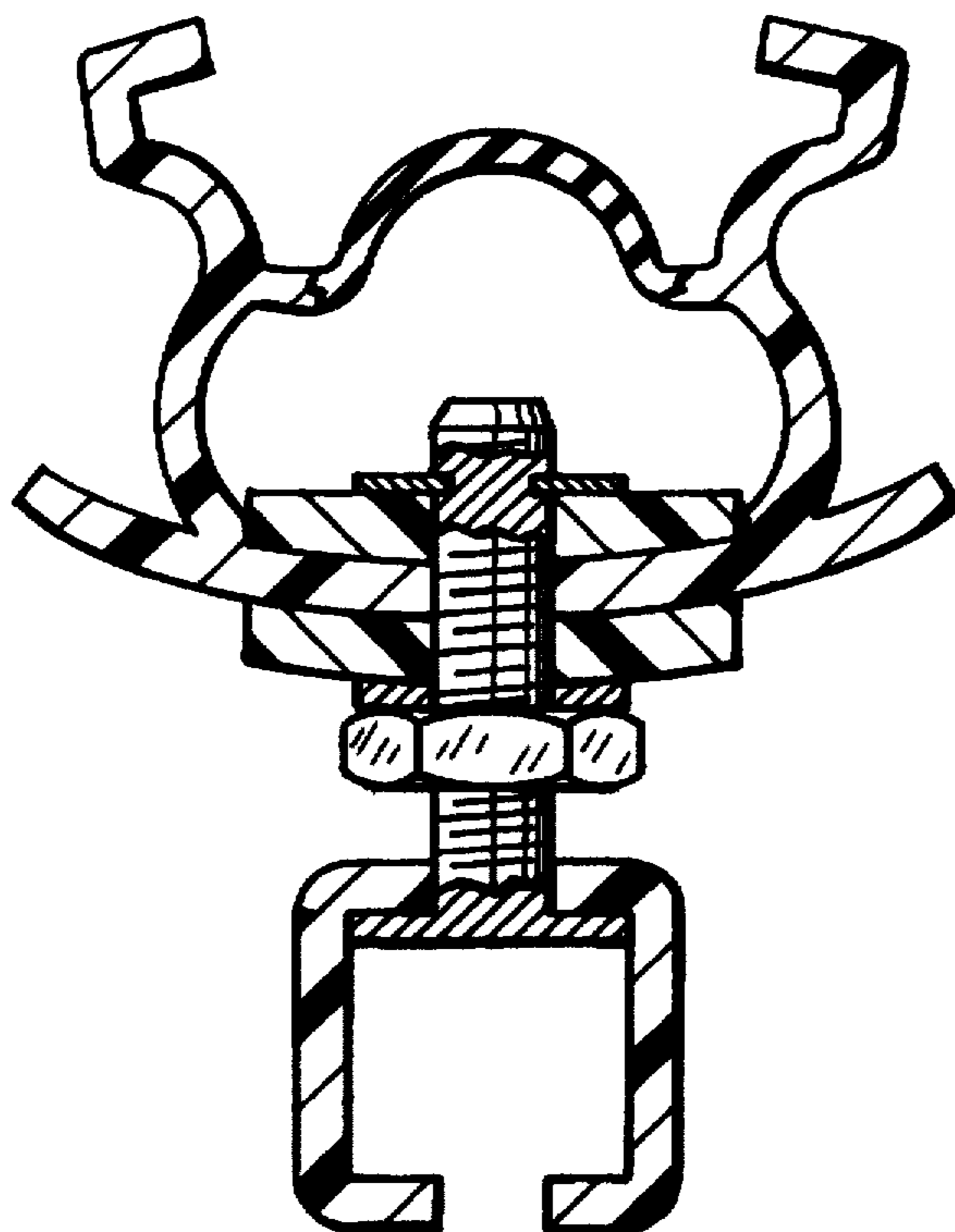
**FIG. 4**



**FIG. 5**



**FIG. 6**



**FIG. 7**