

US00D386524S

**United States Patent** [19]  
**Walker**

[11] **Patent Number:** **Des. 386,524**  
[45] **Date of Patent:** **\*\*Nov. 18, 1997**

[54] **BOOKMARK**

D. 307,441 4/1990 Roberson, Jr. .... D19/34

[76] **Inventor:** **Kenneth A. Walker**, 4199 W. 53rd Ave., Denver, Colo. 80212

*Primary Examiner*—Susan J. Lucas  
*Assistant Examiner*—Pamela Burgess  
*Attorney, Agent, or Firm*—Fields and Johnson, P.C.

[\*\*] **Term:** **14 Years**

[57] **CLAIM**

[21] **Appl. No.:** **55,431**

The ornamental design for the bookmark, as shown and described.

[22] **Filed:** **Jun. 4, 1996**

[51] **LOC (6) Cl.** ..... **19-99**

[52] **U.S. Cl.** ..... **D19/34; D19/65**

[58] **Field of Search** ..... **D19/32, 34, 65; 281/42, 46; D11/95-97; D21/51; 40/658, 666**

**DESCRIPTION**

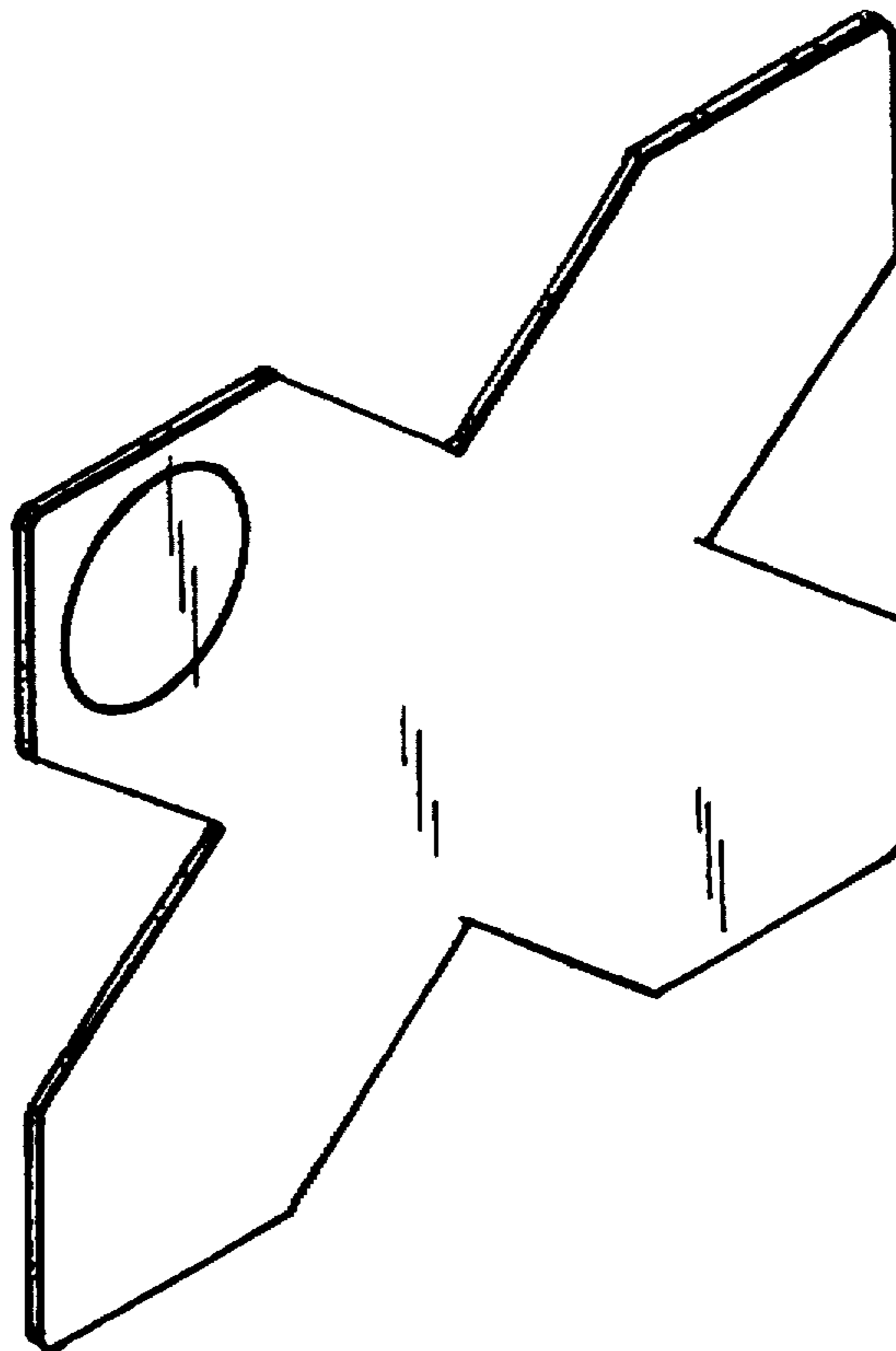
FIG. 1 is a front perspective view of a bookmark of this invention;  
FIG. 2 is a front plan view;  
FIG. 3 is an end view;  
FIG. 4 is a rear plan view; and,  
FIG. 5 is a side elevation.

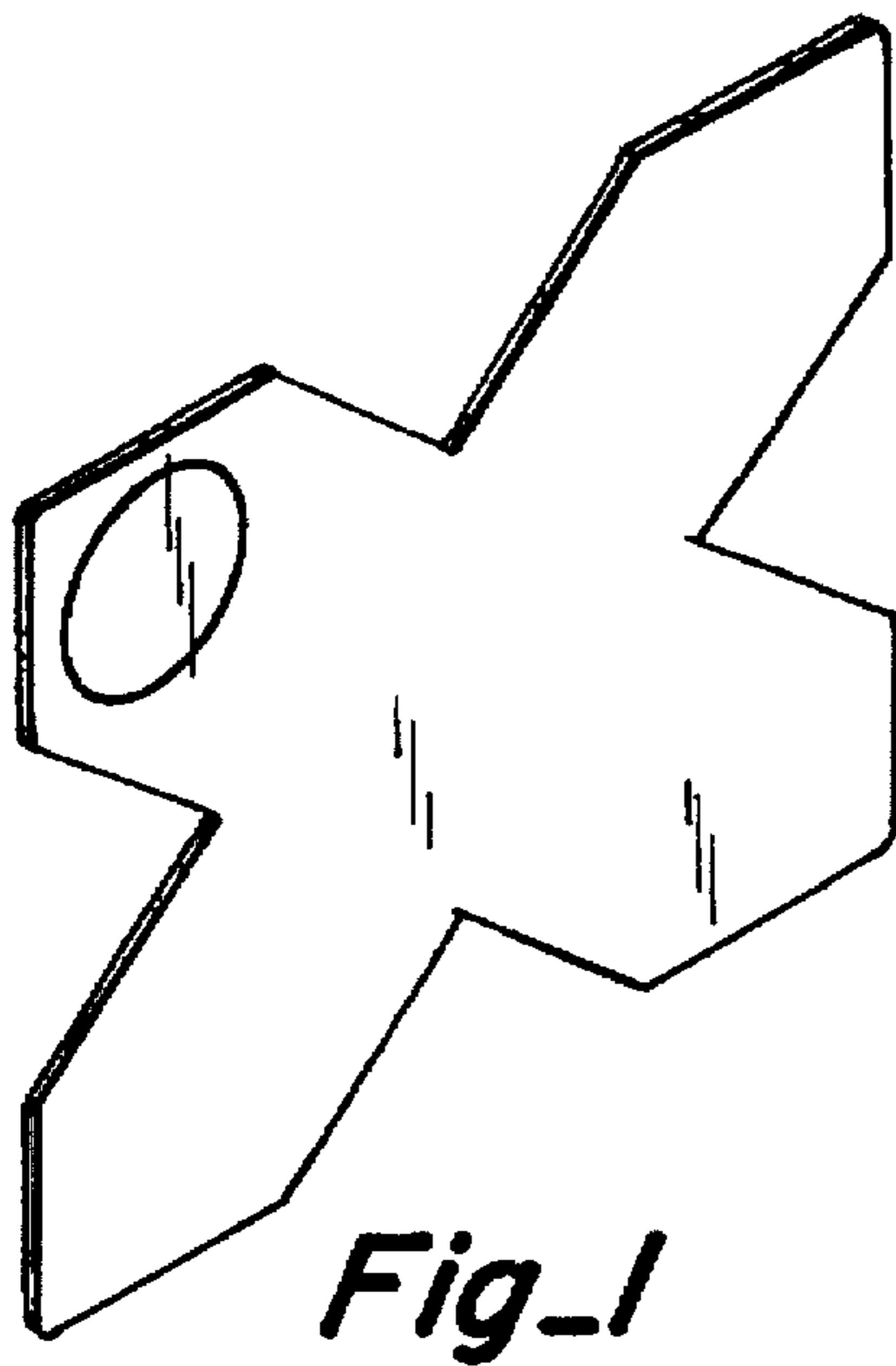
[56] **References Cited**

**U.S. PATENT DOCUMENTS**

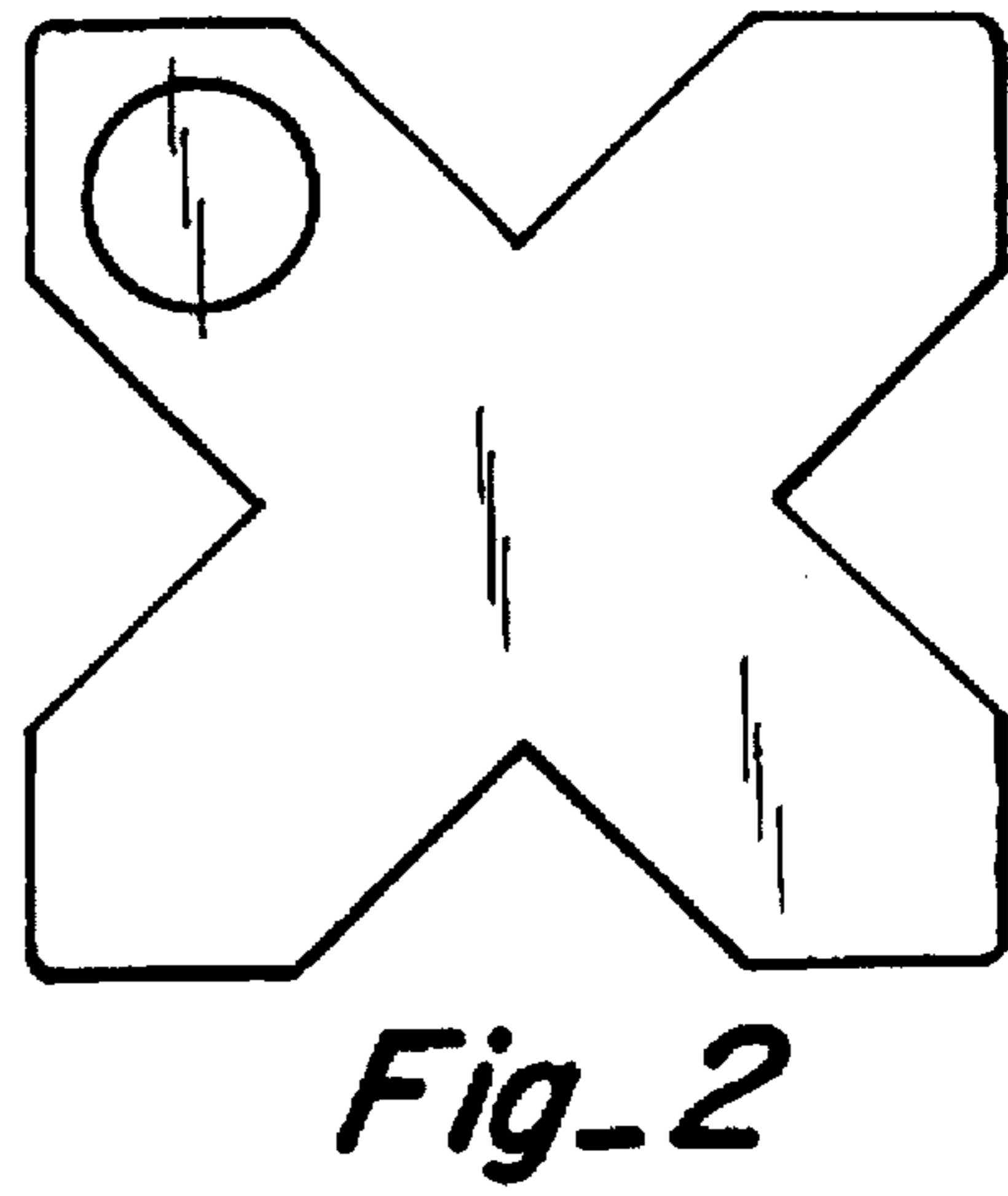
D. 300,836 4/1989 Goldstein ..... D19/34 X

**1 Claim, 1 Drawing Sheet**





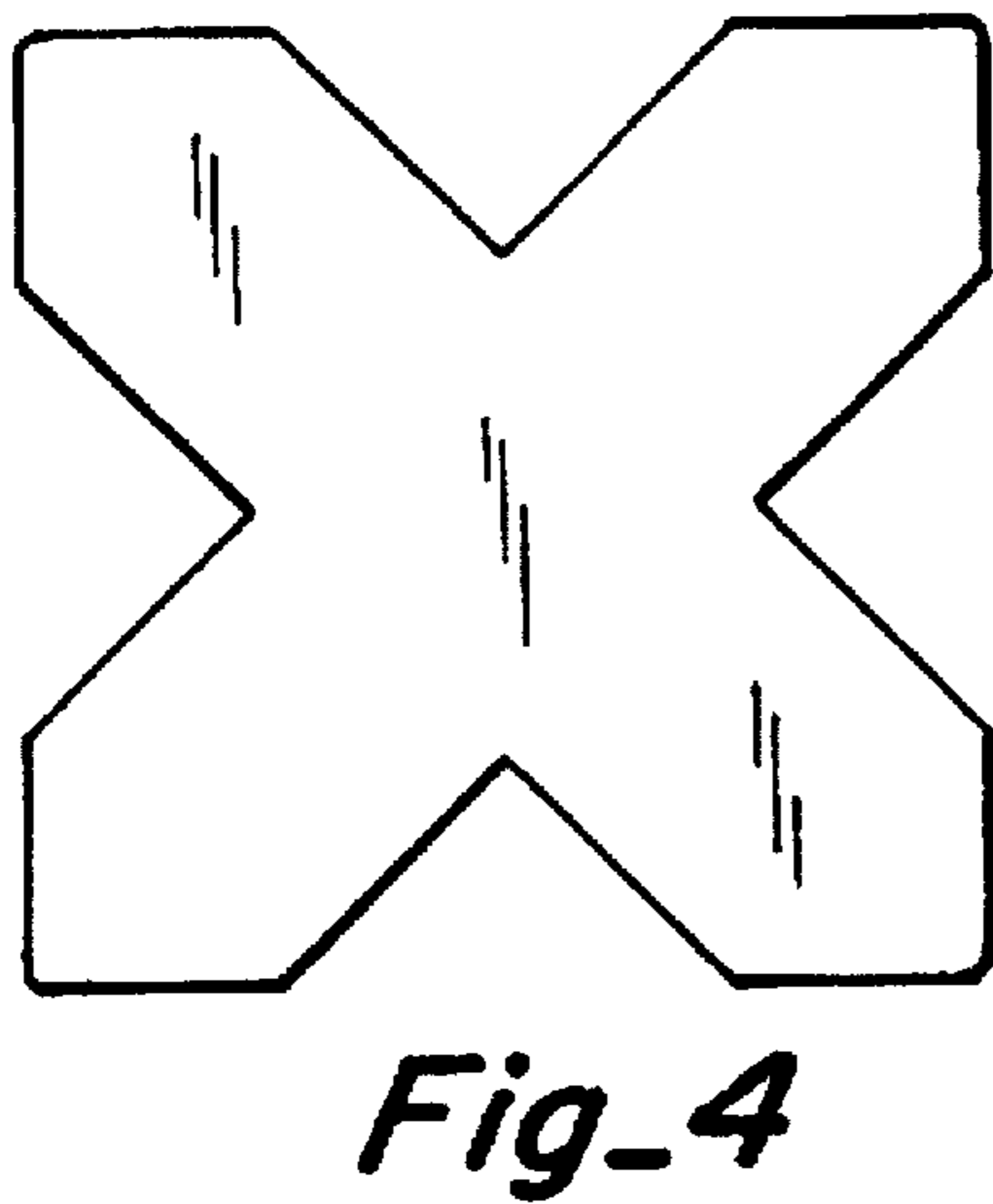
*Fig-1*



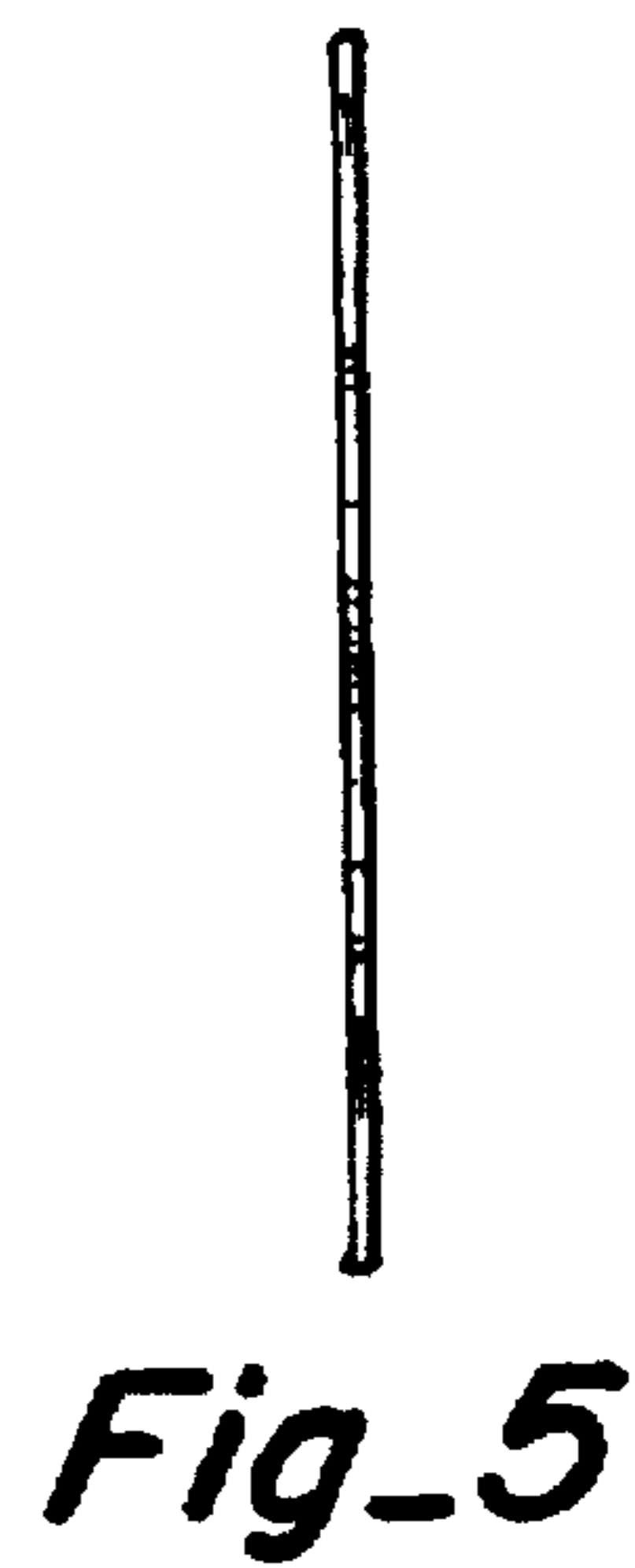
*Fig-2*



*Fig-3*



*Fig-4*



*Fig-5*