



US00D386514S

United States Patent [19]

Nakada et al.

[11] Patent Number: Des. 386,514

[45] Date of Patent: **Nov. 18, 1997

[54] ELECTRONIC PIANO

[75] Inventors: **Tsutomu Nakada; Daisuke Saito**, both of Hamamatsu, Japan

[73] Assignee: **Yamaha Corporation**, Japan

[**] Term: **14 Years**

[21] Appl. No.: **53,152**

[22] Filed: **Apr. 15, 1996**

[30] Foreign Application Priority Data

Oct. 17, 1995 [JP] Japan 7-31116

[51] LOC (6) Cl. **17-01**

[52] U.S. Cl. **D17/7**

[58] Field of Search D17/1, 2, 5, 6-9; D21/64; 84/174-177, 180, 423, 428, 453, 670, 644, 719, 723, DIG. 7, DIG. 17

[56] References Cited

U.S. PATENT DOCUMENTS

- D. 308,215 5/1990 Katsuhara D17/7
- D. 324,531 3/1992 Lee D17/7
- D. 369,378 4/1996 Okamura D17/7
- D. 372,728 8/1996 Mizushima D17/7

FOREIGN PATENT DOCUMENTS

3-259194 11/1991 Japan 84/453

OTHER PUBLICATIONS

Music Trades, Jul. 1987 p. 60 (Technics piano).

Primary Examiner—Philip S. Hyder

Assistant Examiner—Adir Aronovich

Attorney, Agent, or Firm—Ostrolenk, Faber, Gerb & Soffen, LLP

[57] CLAIM

The ornamental design for an electronic piano, as shown and described.

DESCRIPTION

FIG. 1 is a front view of an electronic piano showing my new design;

FIG. 2 is a top plan view thereof;

FIG. 3 is a bottom view thereof;

FIG. 4 is a rear view thereof;

FIG. 5 is a right side view thereof, the opposite side view being a mirror image;

FIG. 6 is a top, front, right side perspective view; and,

FIG. 7 is a top, front, right side perspective view in a different position.

1 Claim, 3 Drawing Sheets

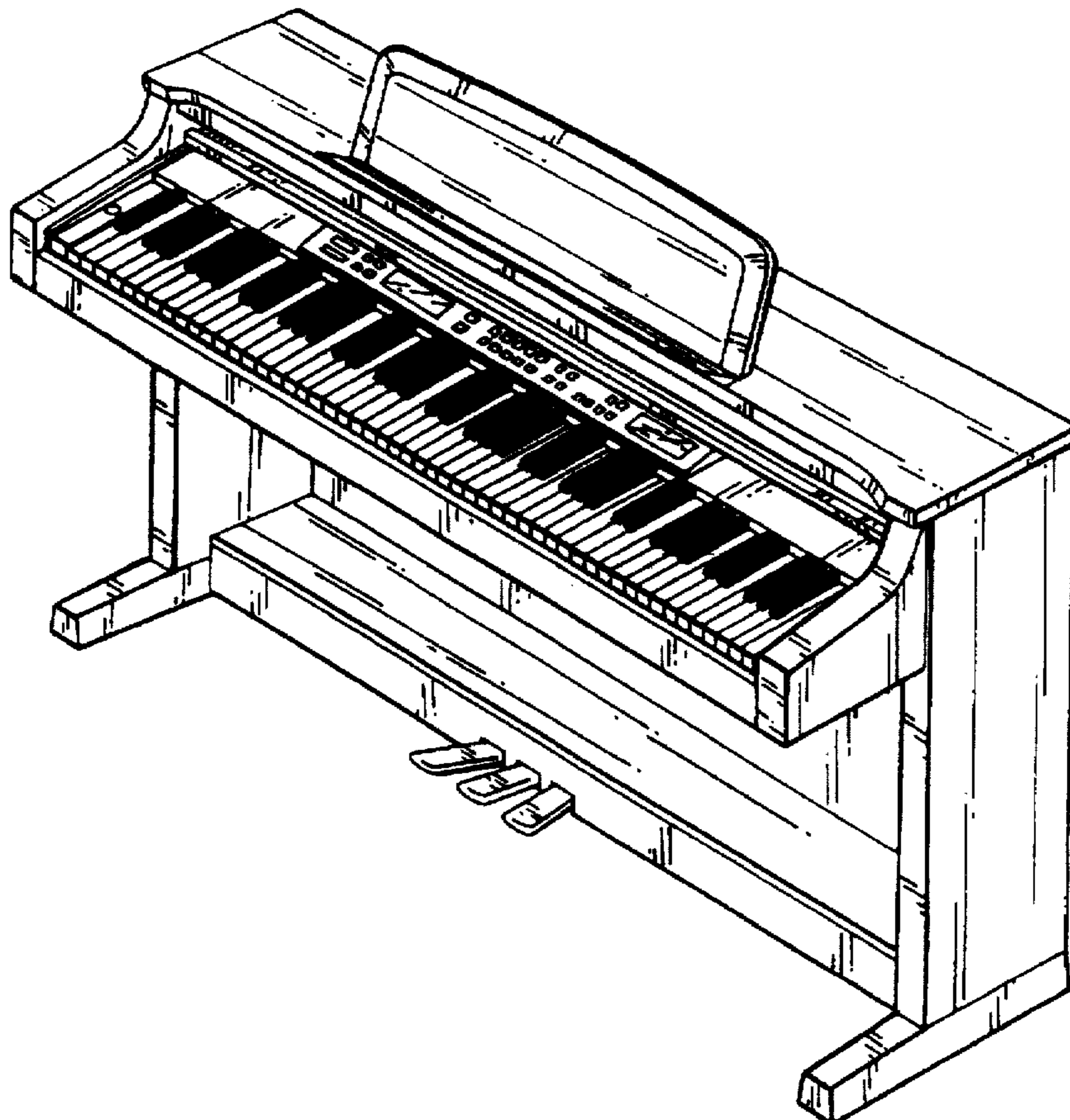


FIG-1

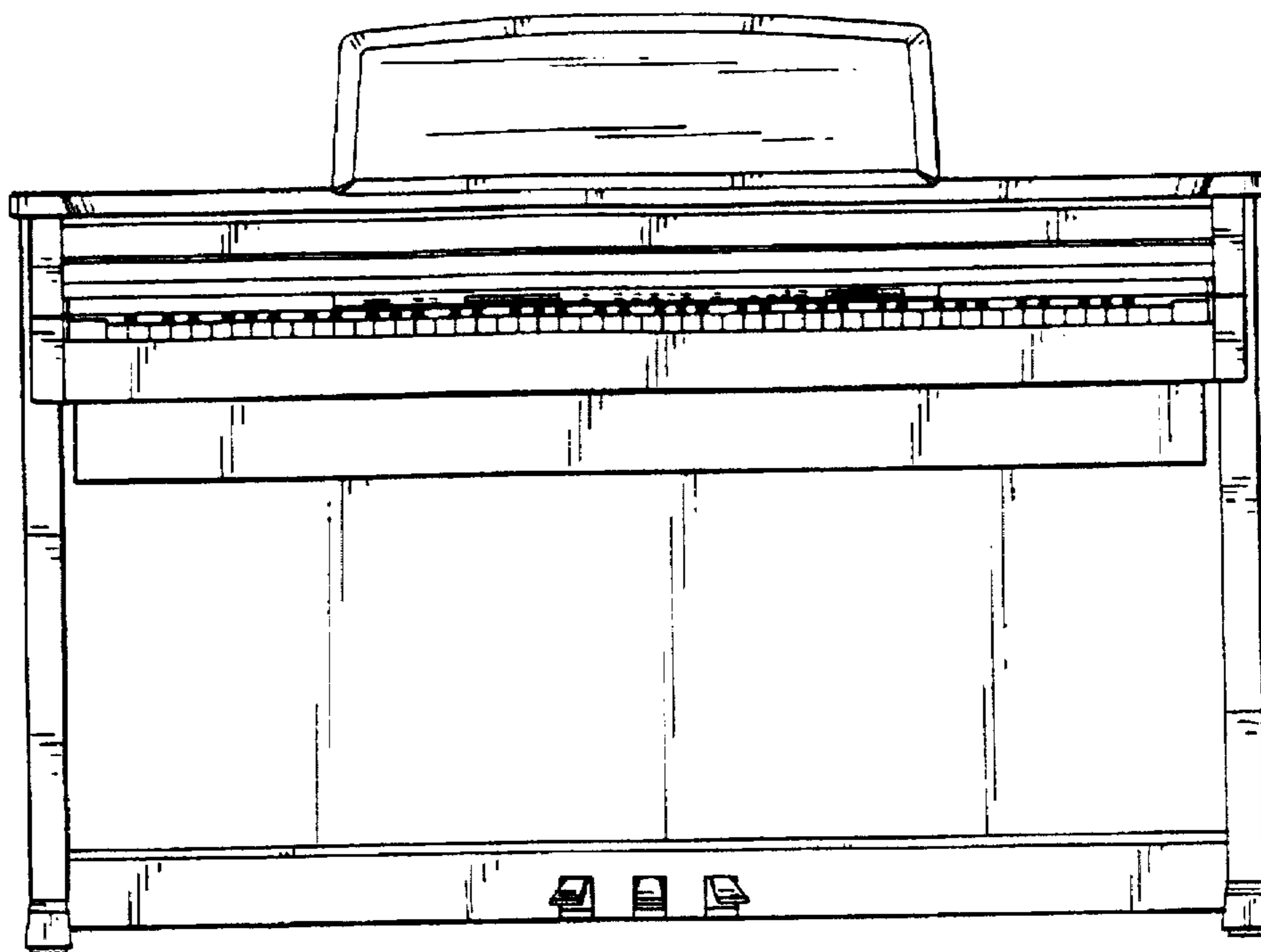


FIG-2

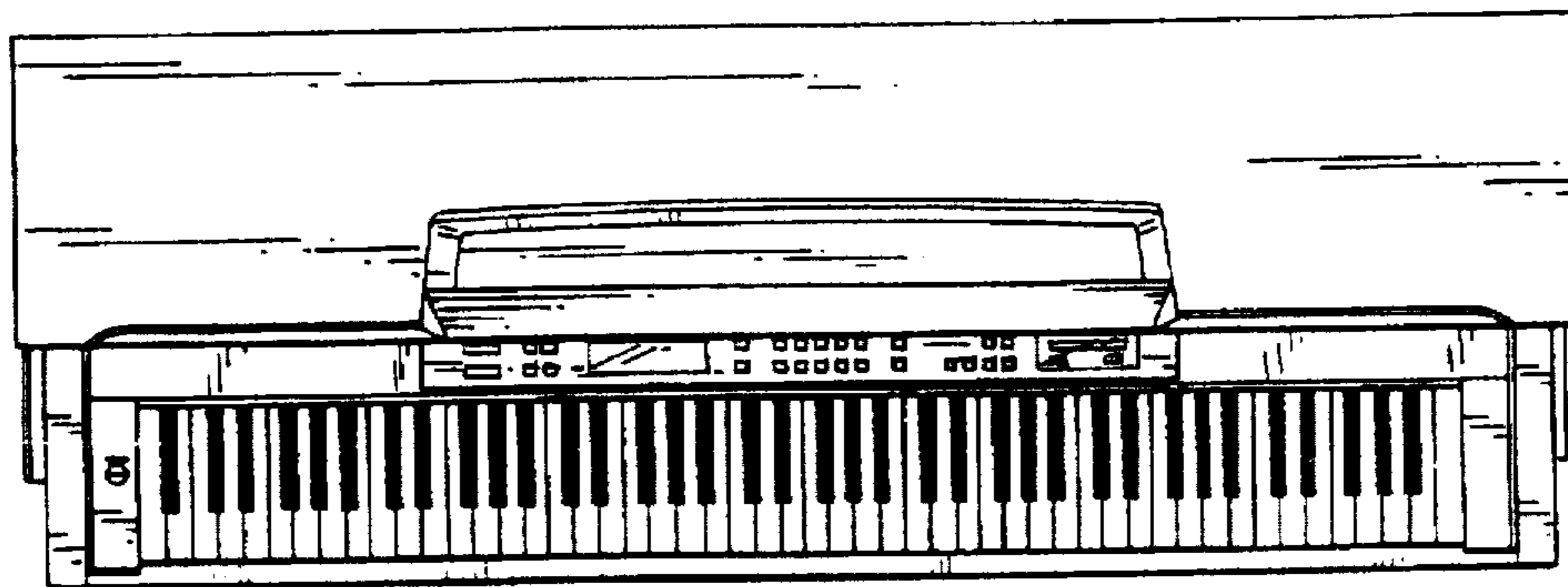
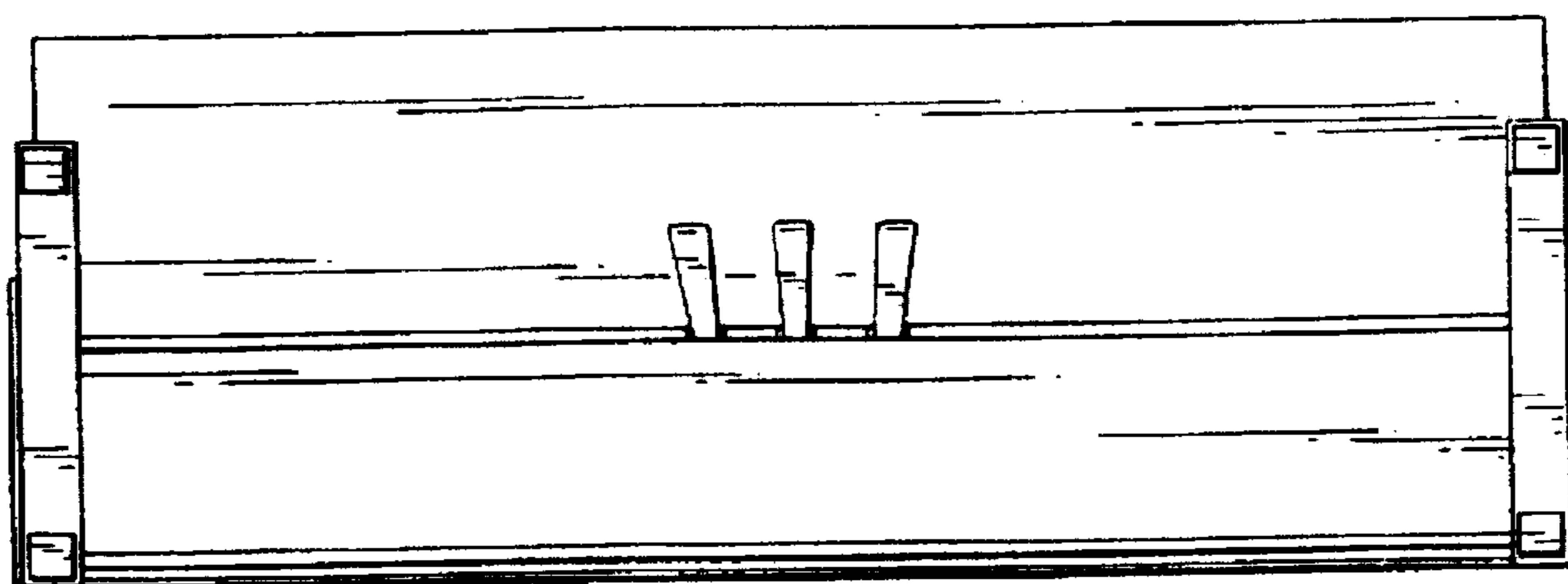


FIG-3



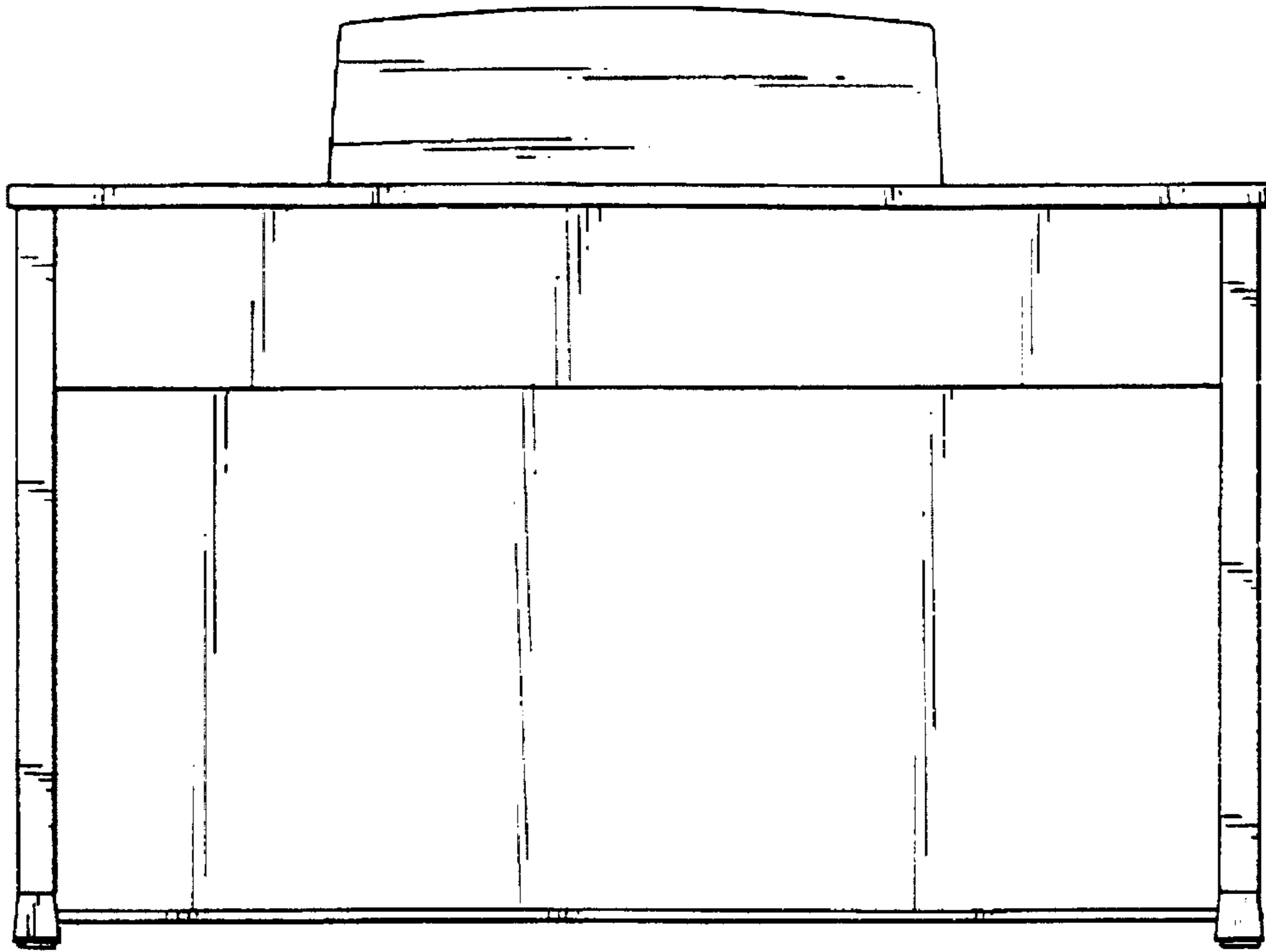


FIG-4

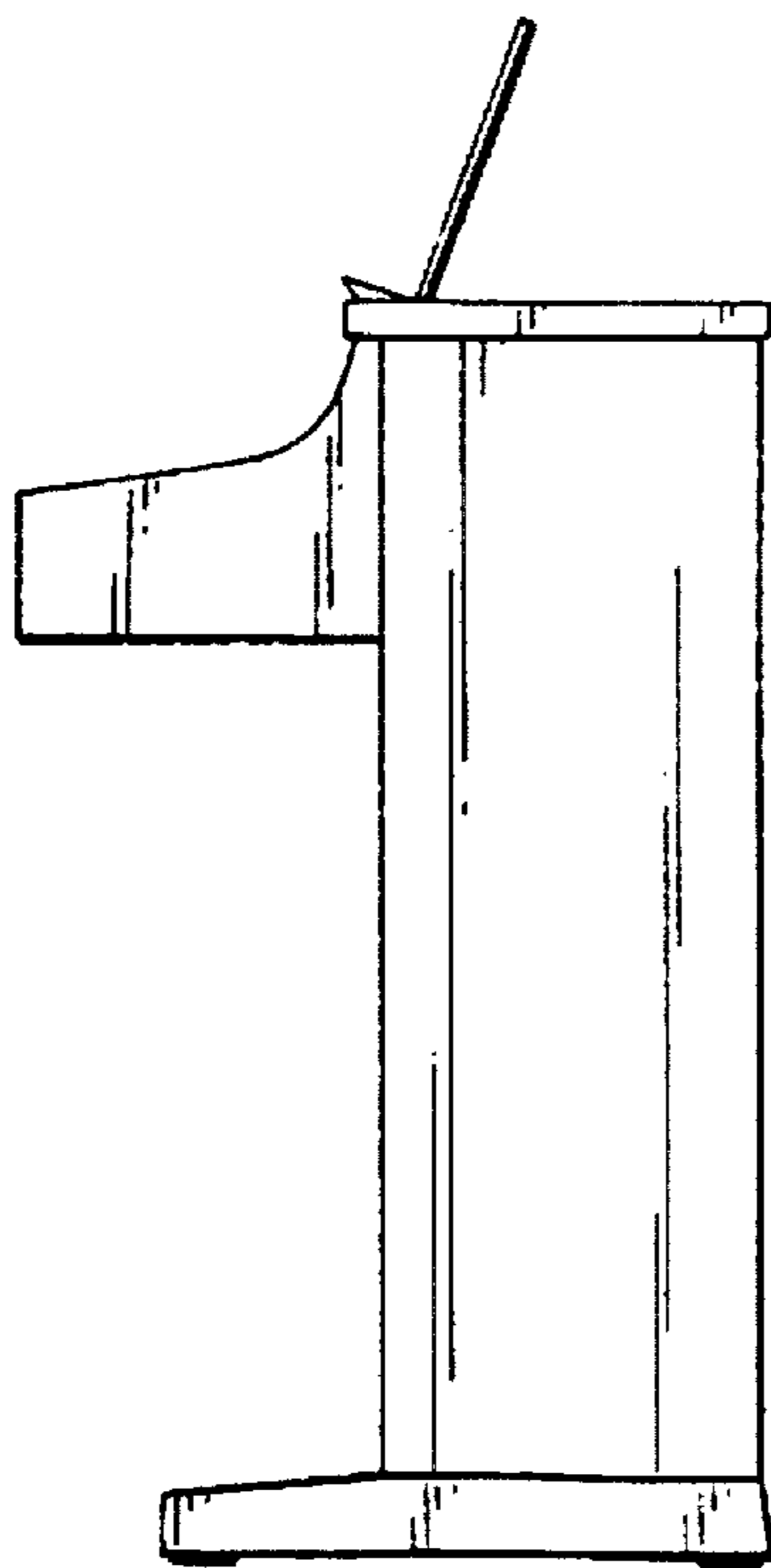


FIG-5

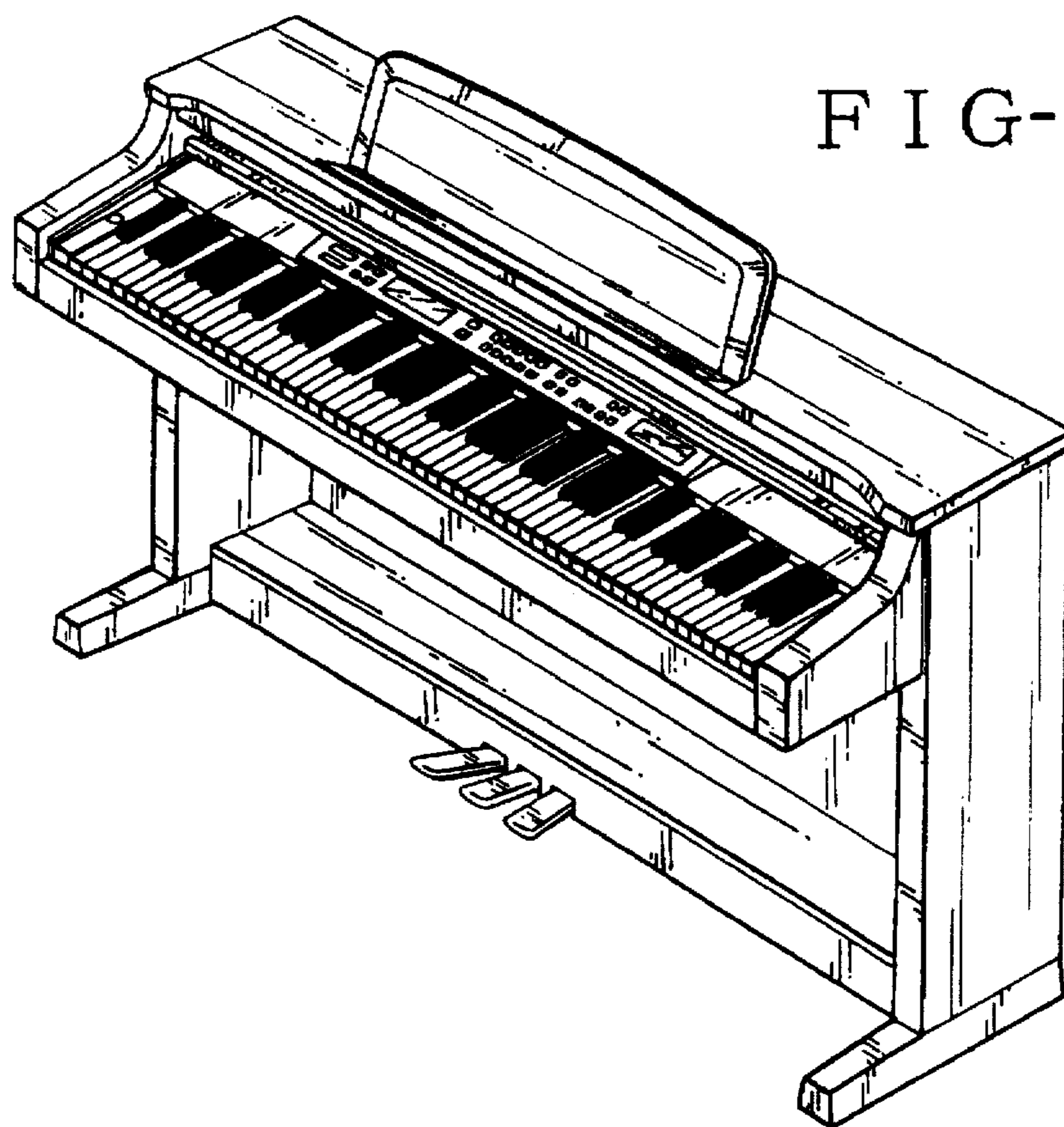


FIG-6

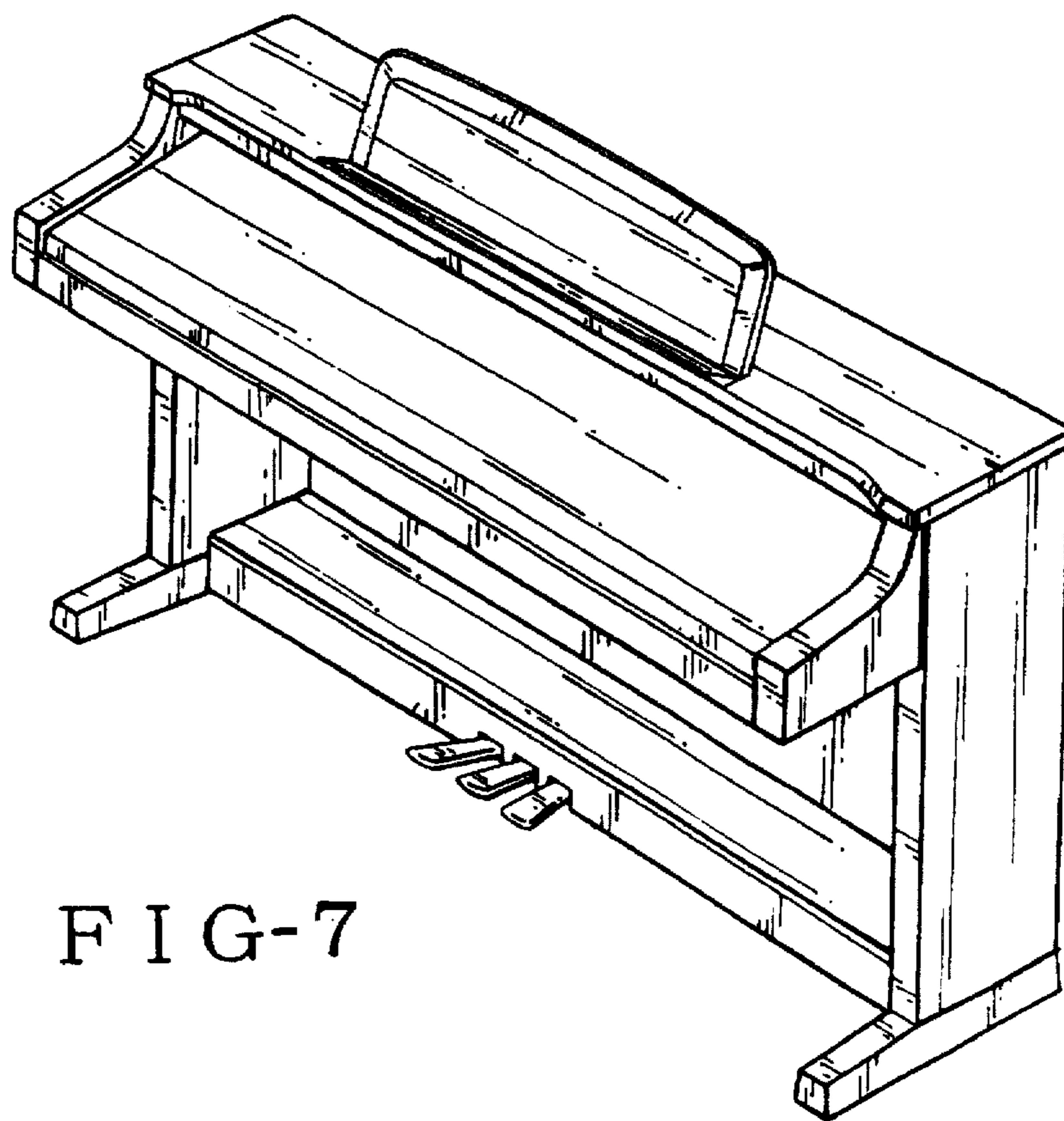


FIG-7