



US00D386507S

United States Patent [19]
Ohi et al.

[11] **Patent Number: Des. 386,507**
[45] **Date of Patent: **Nov. 18, 1997**

[54] **COMBINED MONITOR VIDEO TAPE
RECORDER AND VIDEO CAMERA**

[75] **Inventors: Hiroshi Ohi; Taro Nomura, both of
Tochigi-ken., Japan**

[73] **Assignee: Sharp Kabushiki Kaisha, Osaka, Japan**

[**] **Term: 14 Years**

[21] **Appl. No.: 59,120**

[22] **Filed: May 7, 1996**

[30] **Foreign Application Priority Data**

Nov. 7, 1995 [JP] Japan 7-33678

[51] **LOC (6) Cl. 16-01**

[52] **U.S. Cl. D16/202**

[58] **Field of Search D16/200-205,
D16/208, 209; 348/373-376; 358/906, 909.1;
396/29, 535-543; H04N 5/225**

[56] **References Cited**

U.S. PATENT DOCUMENTS

D. 341,368	11/1993	Ooi et al.	D16/202
D. 341,369	11/1993	Sakata	D16/202
D. 347,235	5/1994	Ooi et al.	D16/202
D. 347,236	5/1994	Ooi et al.	D16/202
D. 351,157	10/1994	Usami et al.	D14/129
D. 352,728	11/1994	Kurokawa	D16/202
D. 352,729	11/1994	Tsujimura et al.	D16/202
D. 356,097	3/1995	Sakata et al.	D16/202
D. 361,079	8/1995	Ono	D16/202
D. 365,116	12/1995	Ohi et al.	D16/202

D. 365,587	12/1995	Saeki et al.	D16/234
D. 366,492	1/1996	Kume et al.	D16/202
D. 366,658	1/1996	Fukutome	D14/168
4,873,576	10/1989	Hattori et al.	348/373

OTHER PUBLICATIONS

Candian Industrial Design No. 74599, Aug. 18, 1994.
Camcorder Dec. 1993 p. 124 (Sharp VL-E3OU ViewCam).

Primary Examiner—Philip S. Hyder
Assistant Examiner—Adir Aronovich
Attorney, Agent, or Firm—Nixon & Vanderhye

[57] **CLAIM**

The ornamental design for a combined monitor, video tape recorder and video camera, as shown and described.

DESCRIPTION

FIG. 1 is a top, front and right side perspective view of a combined monitor, video tape recorder and video camera according to our design;
FIG. 2 is a front elevational view thereof;
FIG. 3 is a top plan view thereof;
FIG. 4 is a left side elevational view thereof;
FIG. 5 is a right side elevational view thereof;
FIG. 6 is a rear elevational view thereof;
FIG. 7 is a bottom plan view thereof;
FIG. 8 is a top, rear and left side perspective view thereof;
FIG. 9 is a rear elevational view with the tape deck section rotated 180° relative to the camera section;
FIG. 10 is a left side elevational view thereof; and,
FIG. 11 is a plan view thereof.

1 Claim, 7 Drawing Sheets

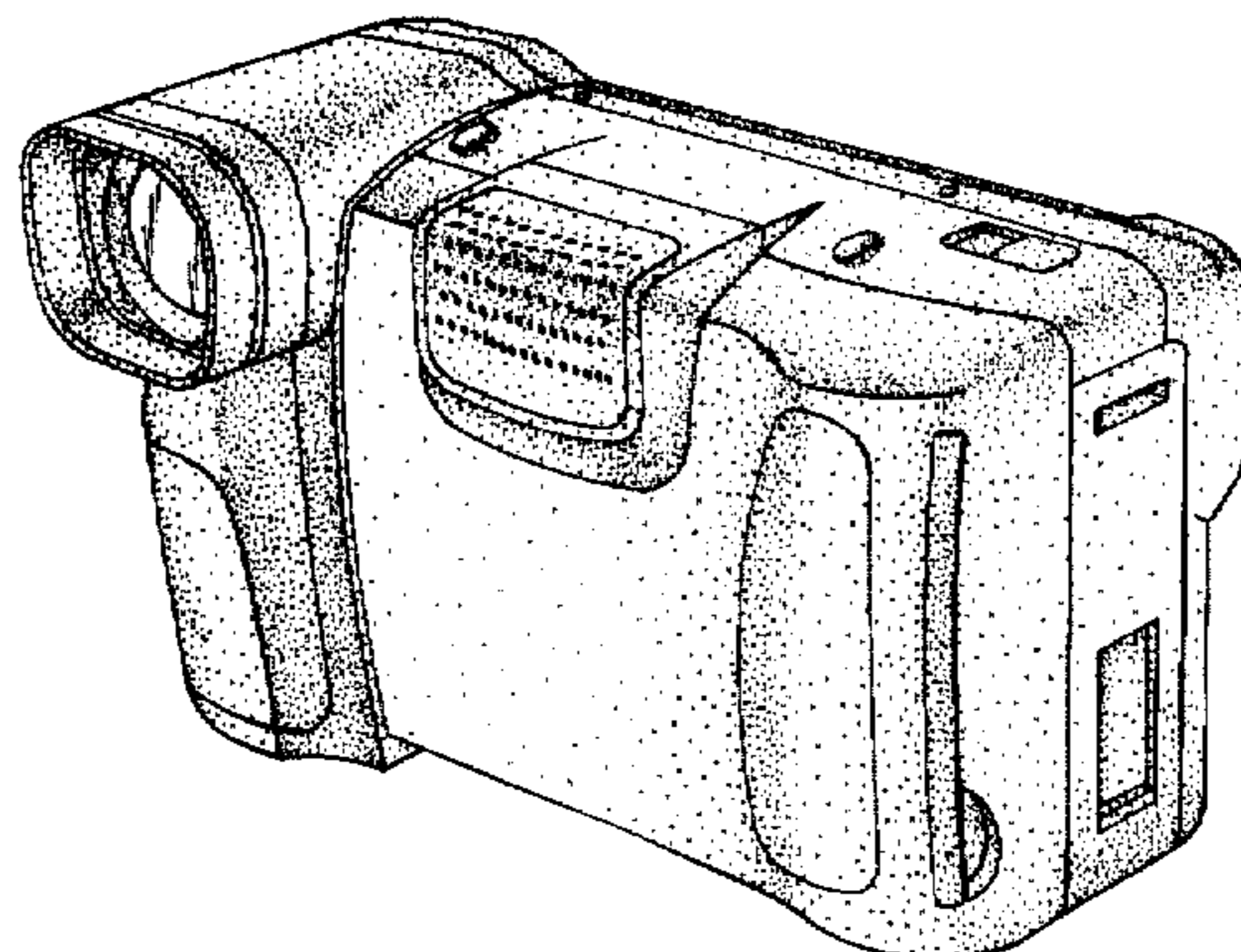
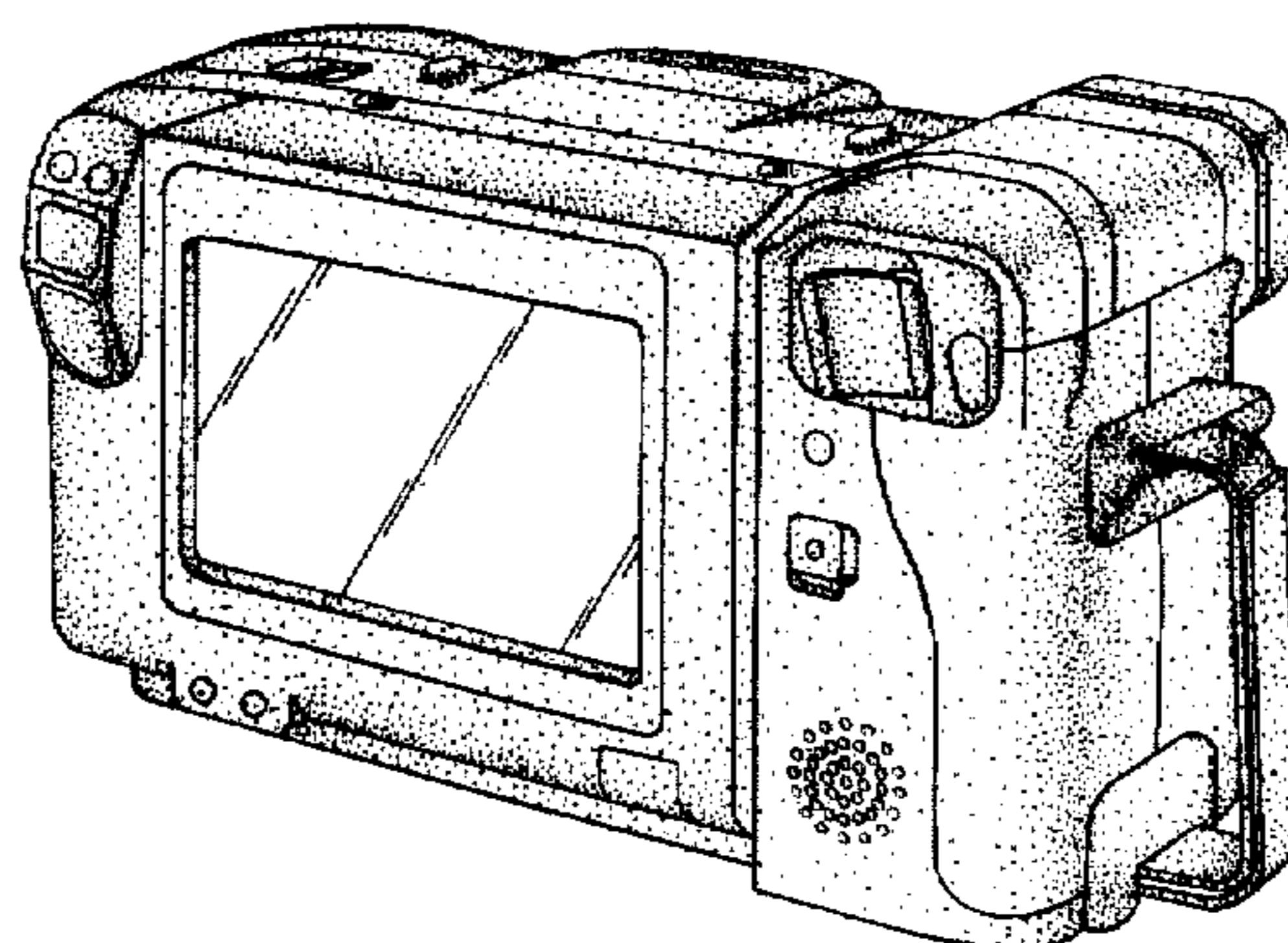


Fig. 1

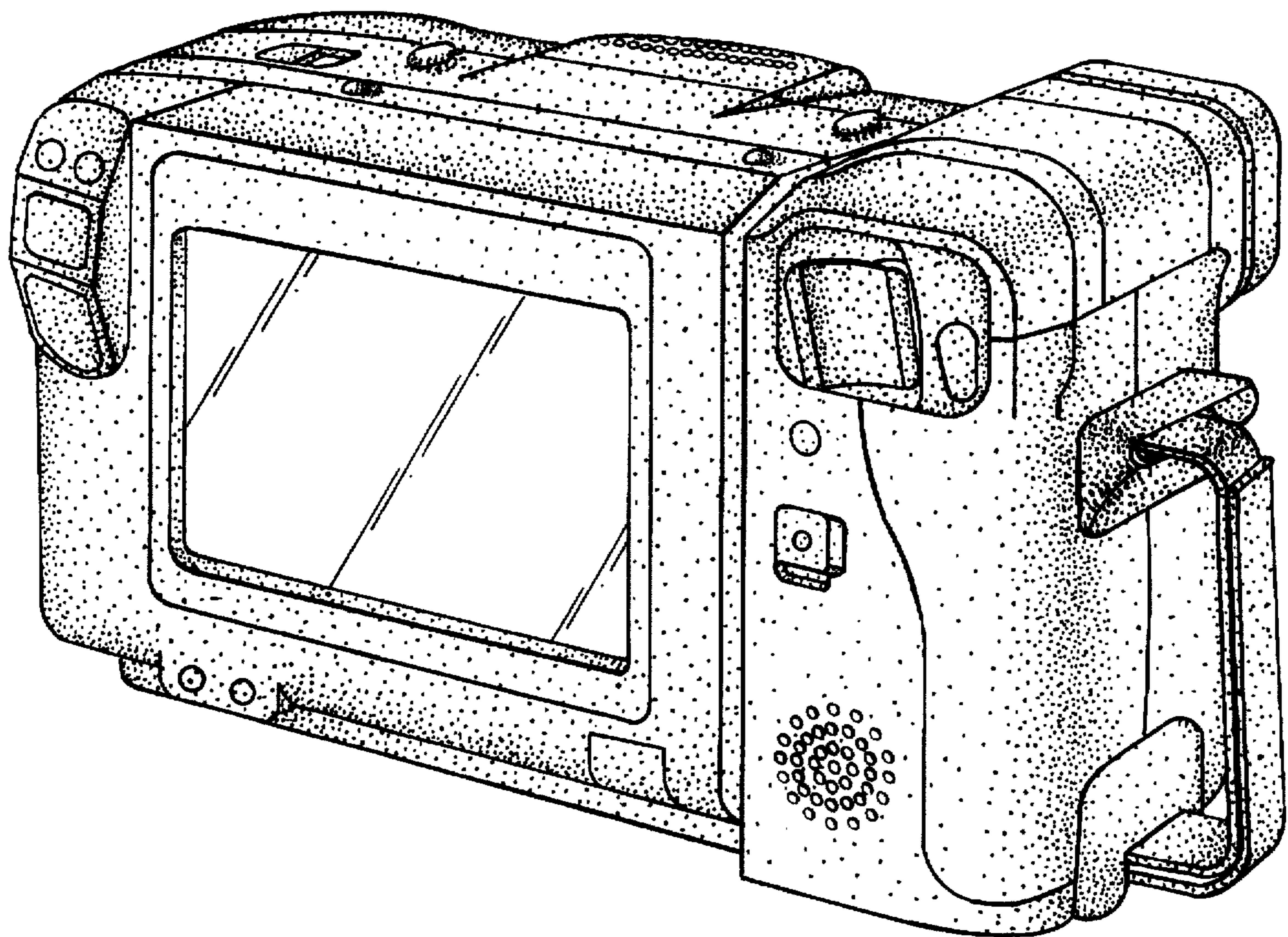


Fig. 2

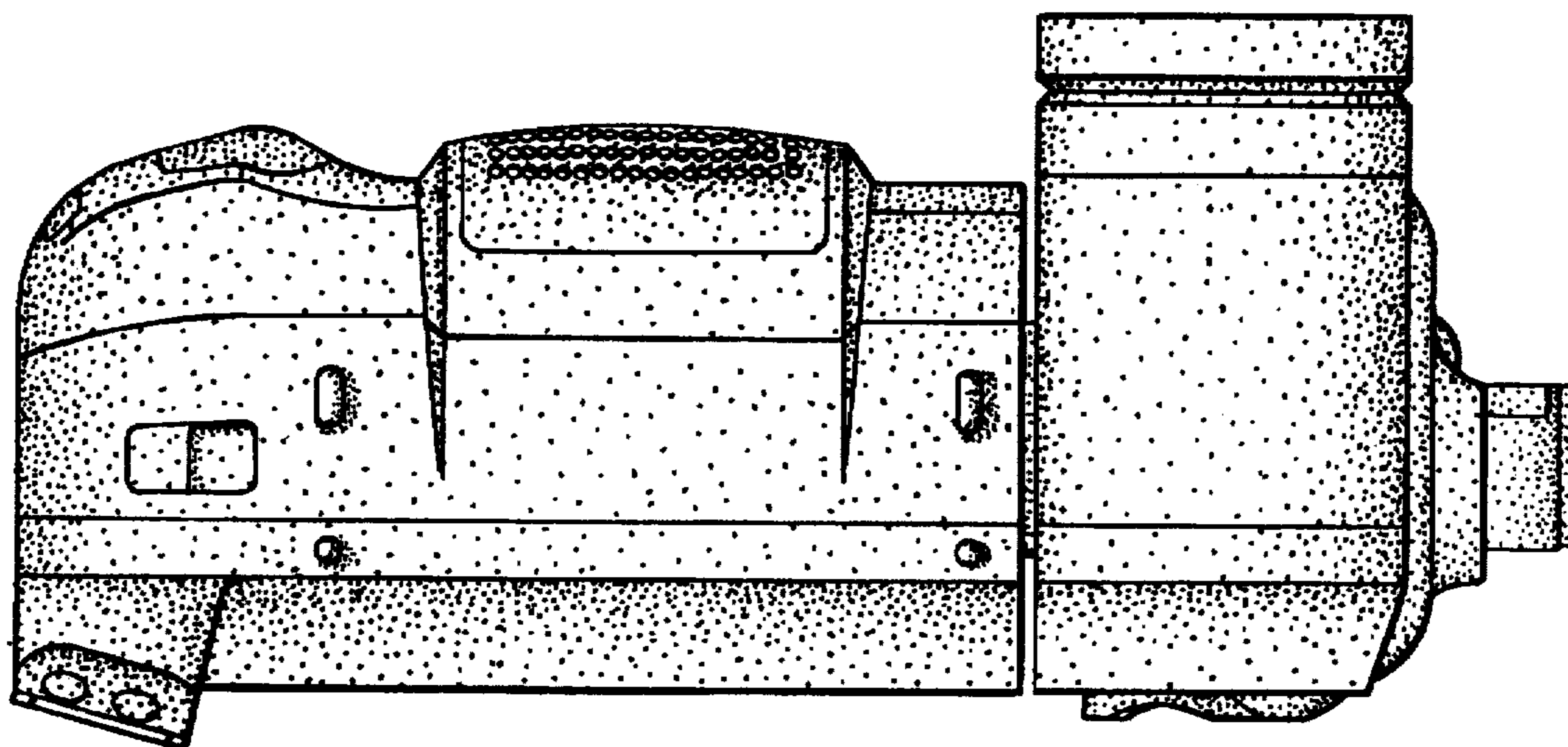
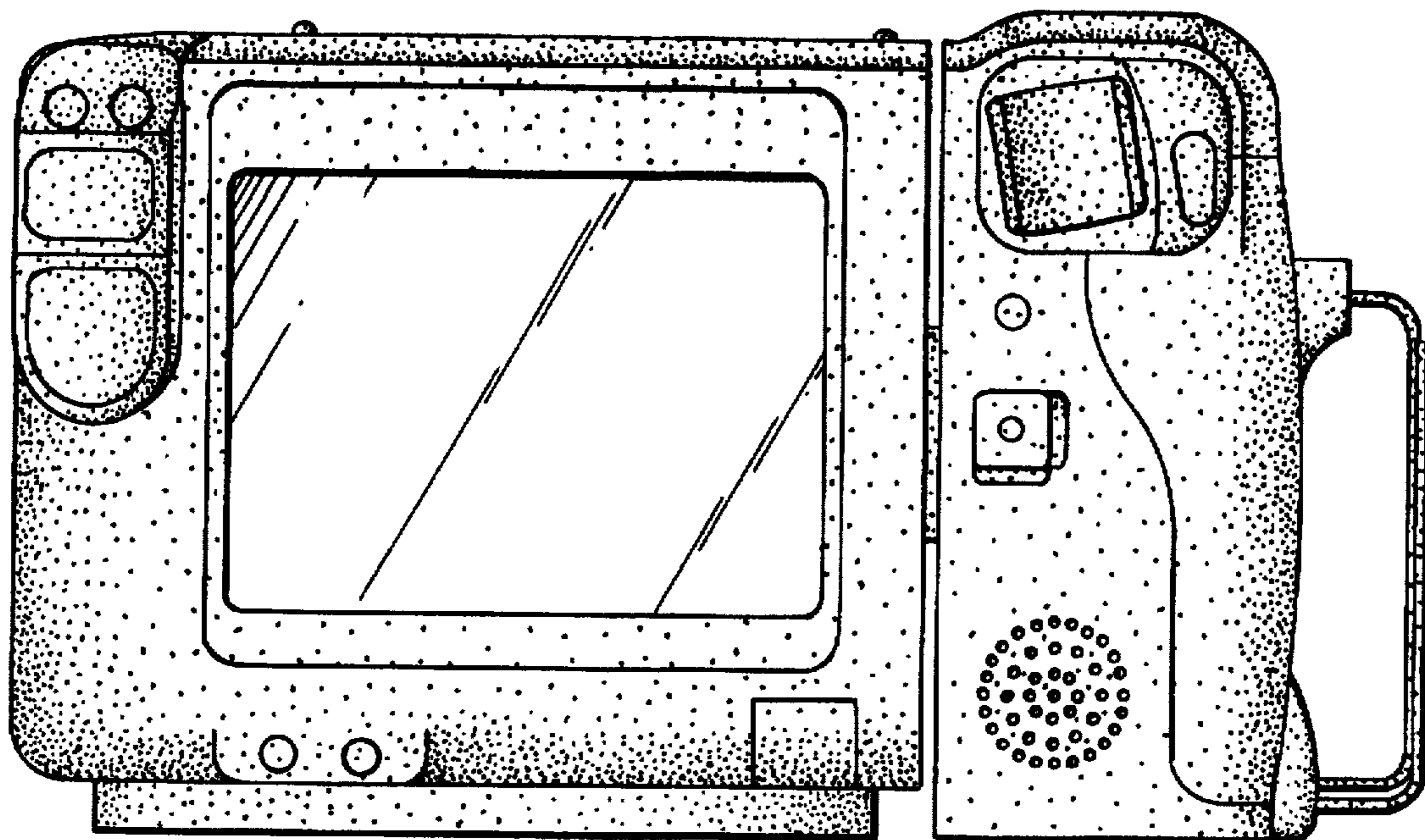


Fig. 3

Fig. 4

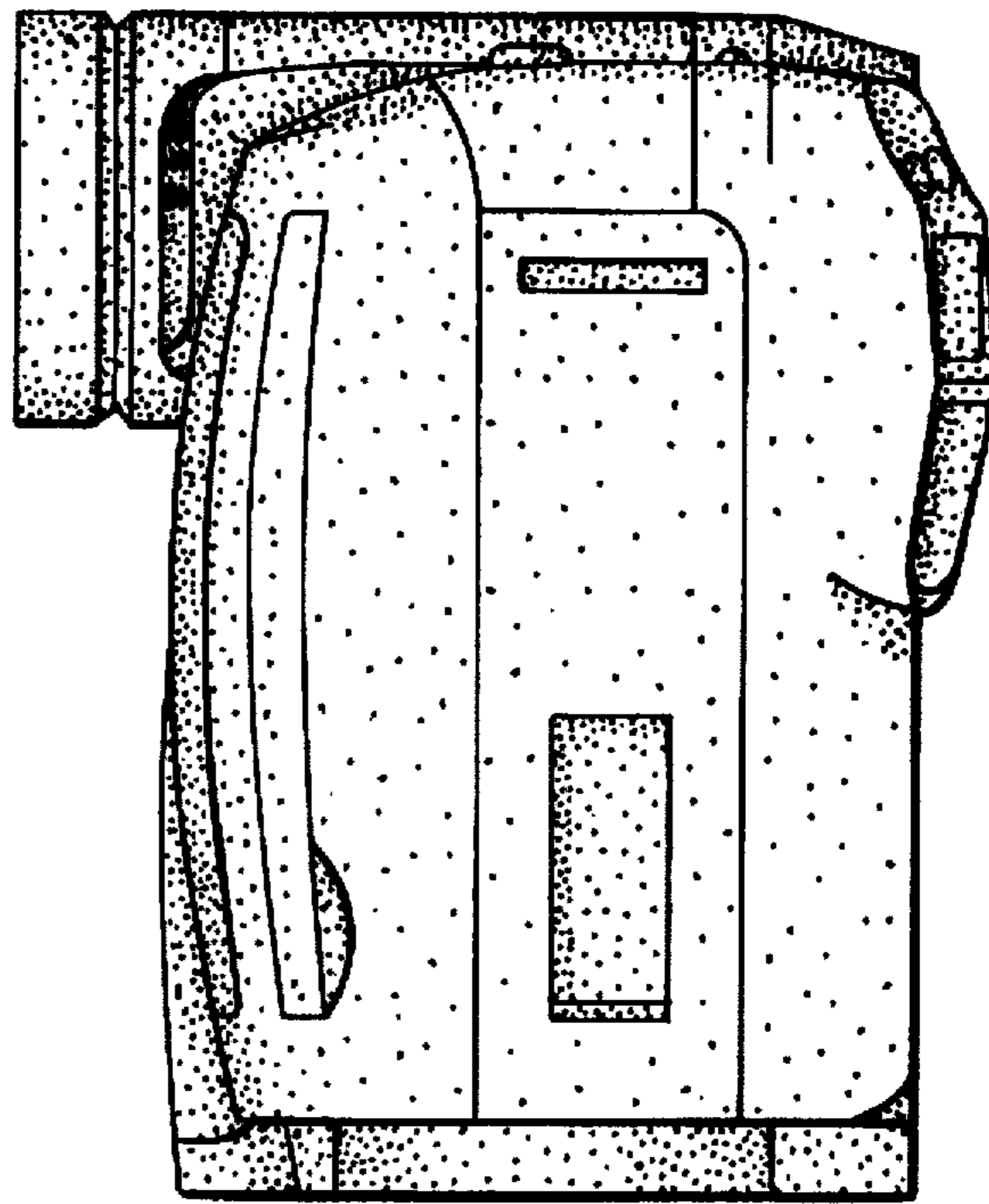
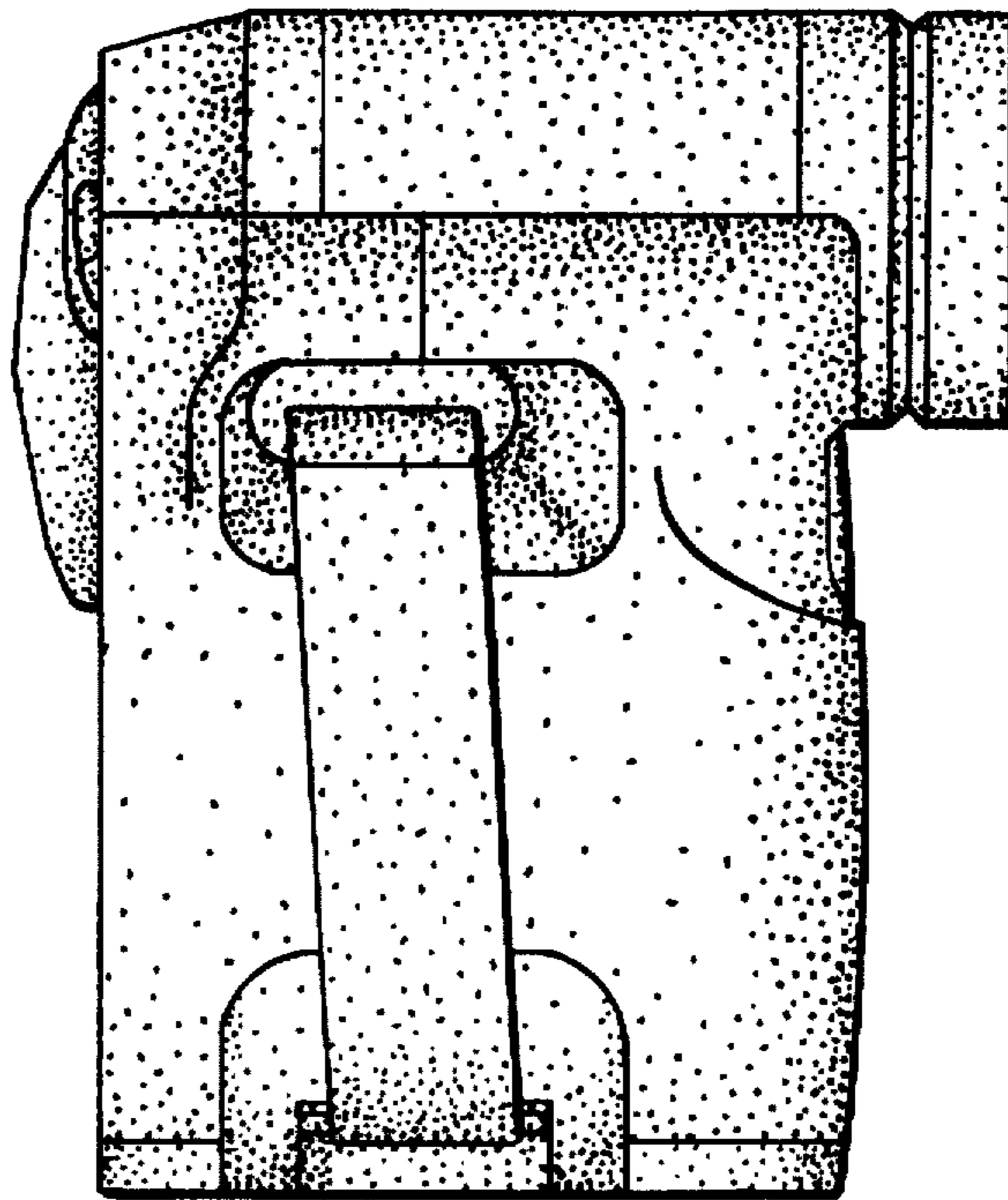


Fig. 5



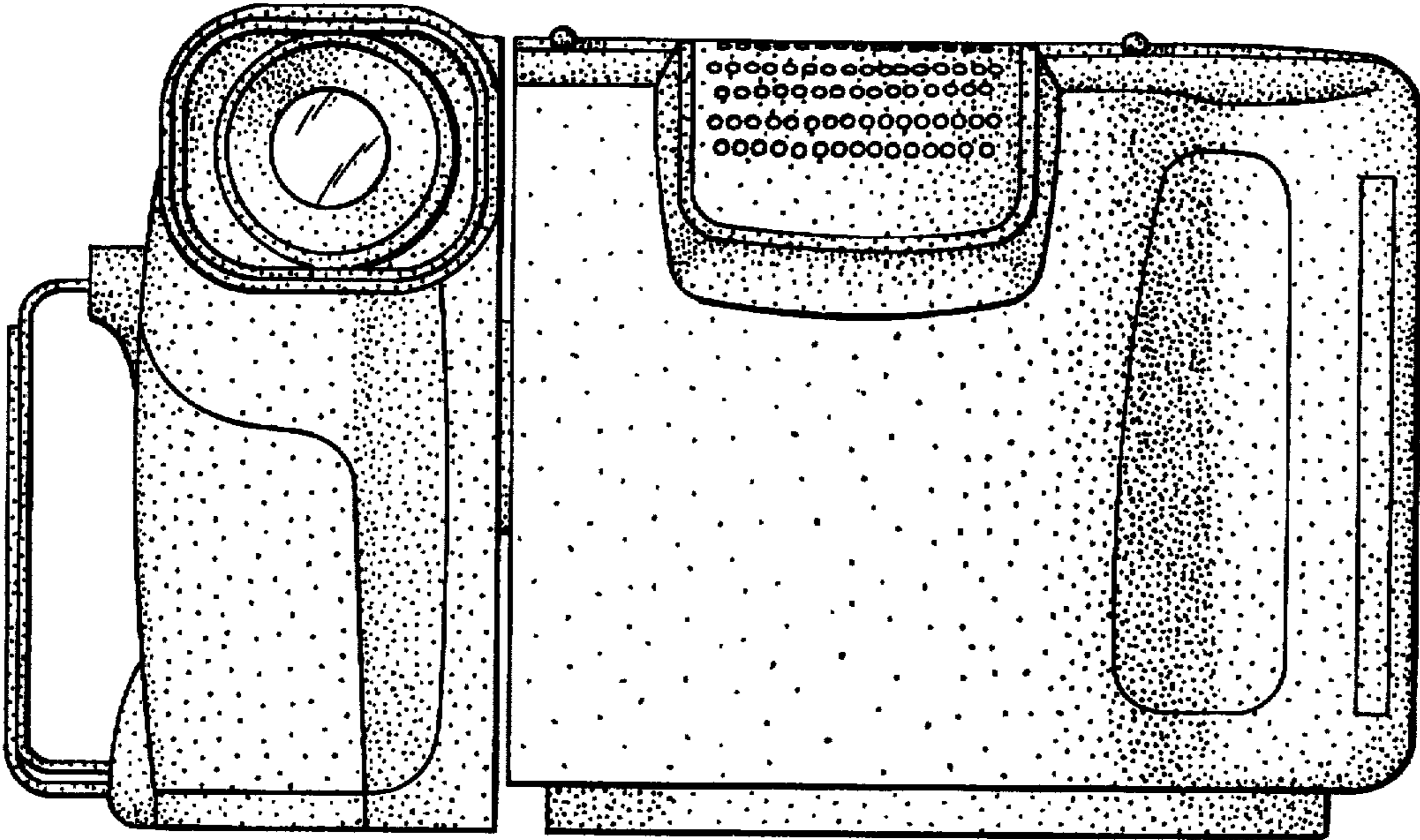


Fig. 6

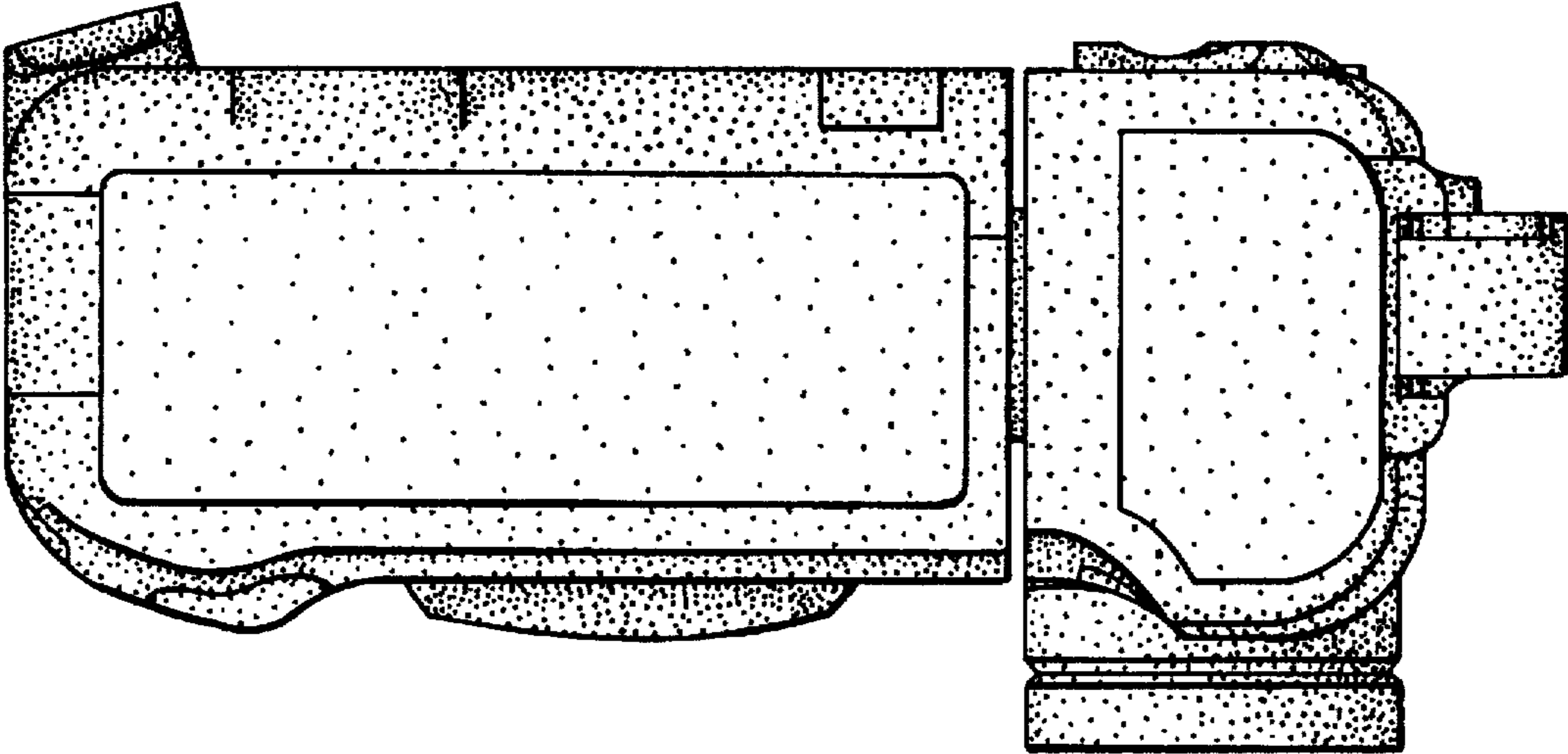


Fig. 7

Fig 8

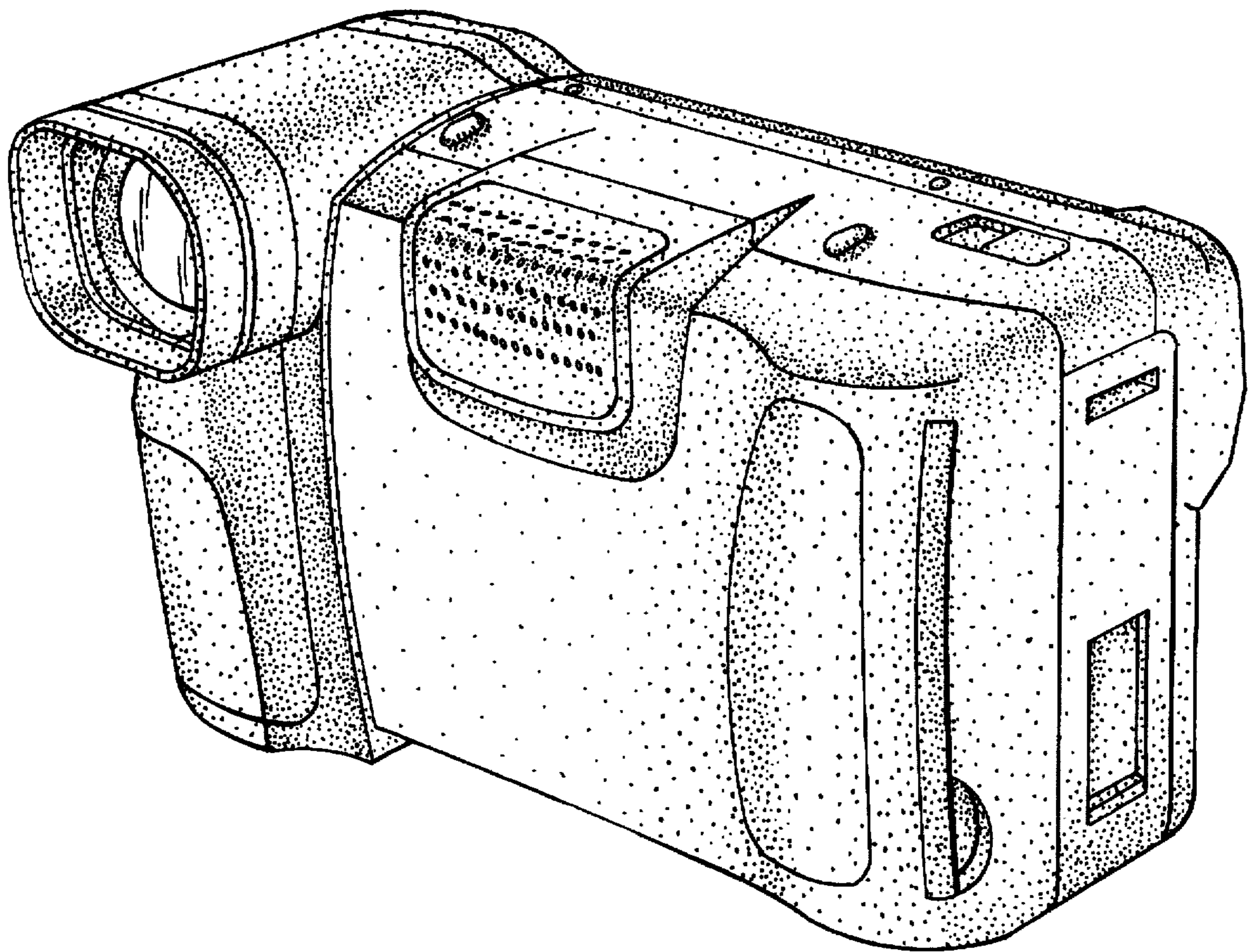


Fig. 9

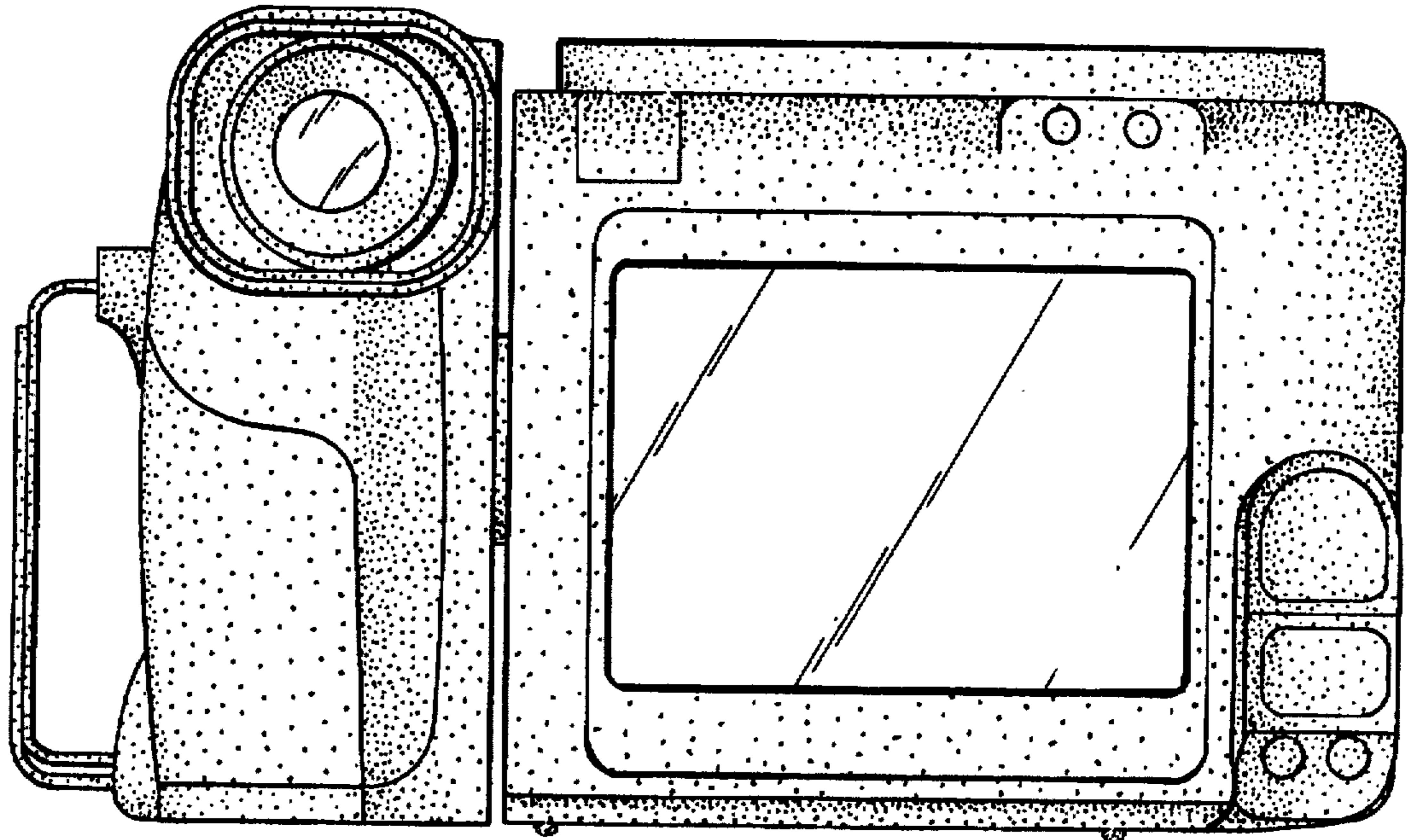


Fig. 10

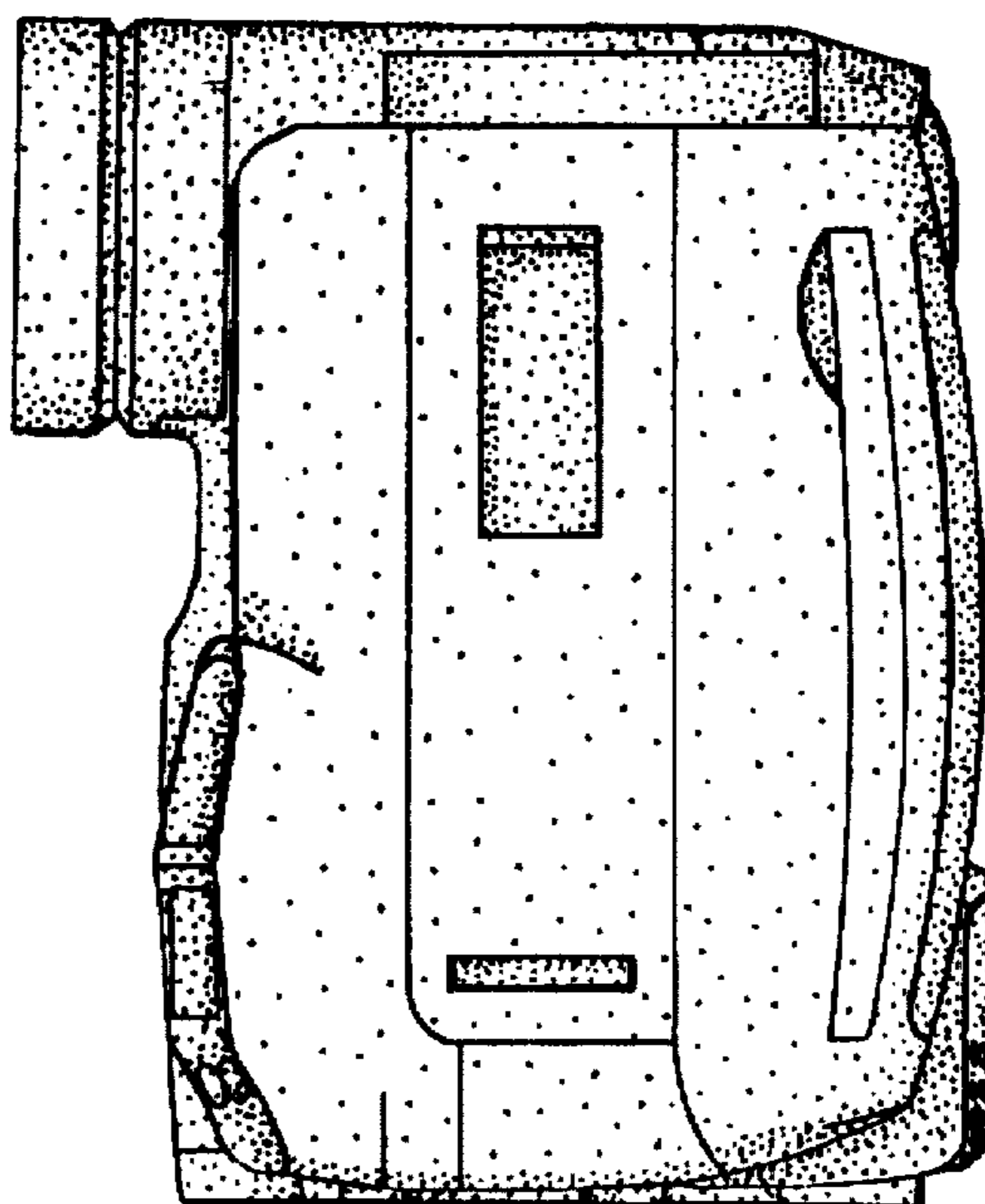


Fig. 11

