



US00D386505S

United States Patent [19]
Maeyama

[11] **Patent Number:** **Des. 386,505**
[45] **Date of Patent:** ****Nov. 18, 1997**

[54] **VIDEO CAMERA FOR TV CONFERENCE SYSTEM AND SECURITY USE**

[75] **Inventor:** Koichi Maeyama, Tokyo, Japan

[73] **Assignee:** Sony Kabushiki Kaisha, Tokyo, Japan

[**] **Term:** 14 Years

[21] **Appl. No.:** 50,949

[22] **Filed:** Feb. 26, 1996

[51] **LOC (6) Cl.** 16-01

[52] **U.S. Cl.** D16/202

[58] **Field of Search** D16/200-205;
D14/107, 130; 348/14-20, 143, 373-376;
358/906, 909.1; 379/53; 396/419, 427,
535-543

[56] **References Cited**

U.S. PATENT DOCUMENTS

D. 355,920	2/1995	Shinano	D16/202
D. 367,488	2/1996	Takano et al.	D16/202
D. 367,870	3/1996	Shinano	D16/202
D. 374,023	9/1996	Beck et al.	D16/202
D. 374,242	10/1996	Yamanouchi	D16/202
5,374,952	12/1994	Flohr	348/12

OTHER PUBLICATIONS

Harris Corp. Catalog, 1990 (cover page).

Primary Examiner—Raphael Barkai

Assistant Examiner—Adir Aronovich

Attorney, Agent, or Firm—Morgan & Finnegan, LLP

[57] **CLAIM**

The ornamental design for the video camera for TV conference system and security use, as shown and described.

DESCRIPTION

FIG. 1 is a perspective view of the video camera for TV conference system and security use in accordance with the present invention;

FIG. 2 is a front elevation view of the video camera of FIG. 1;

FIG. 3 is a right-side elevation view of the video camera of FIG. 1;

FIG. 4 is a left-side elevation view of the video camera of FIG. 1;

FIG. 5 is a top plan view of the video camera of FIG. 1;

FIG. 6 is a bottom plan view of the video camera of FIG. 1;

FIG. 7 is a rear elevation view of the video camera of FIG. 1;

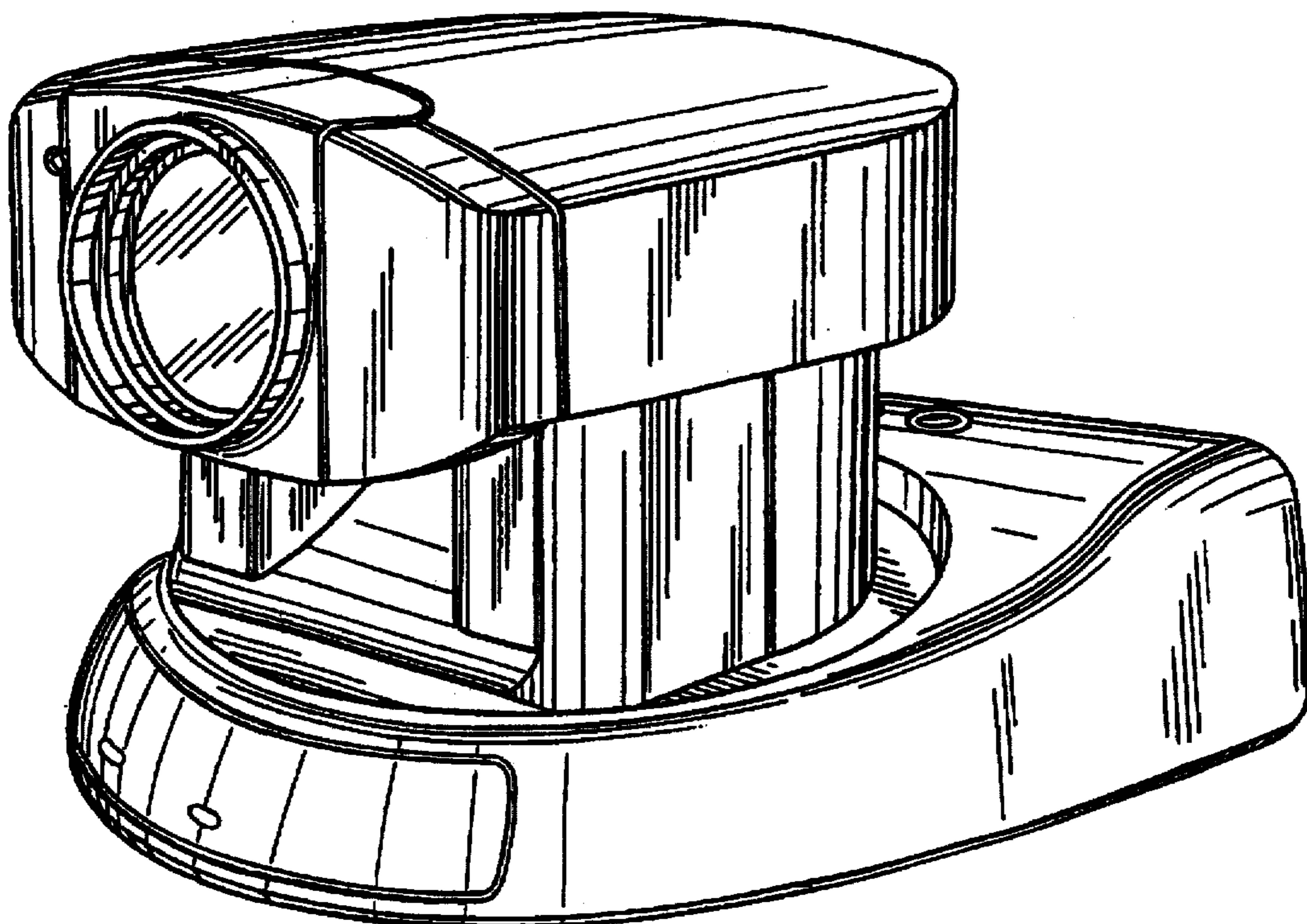
FIG. 8 is a top plan view thereof, the top portion of the camera being in an alternate position of that shown in FIG. 5;

FIG. 9 is a right side elevational view thereof, the top portion of the camera being in an alternate position of that shown in FIG. 3;

FIG. 10 is a top plan view of the video camera of FIG. 1 with the top portion removed and shown in section and depicting the configuration of the lower portion of the video camera; and,

FIG. 11 is a right-side elevation view in section showing the configuration of the upper and lower portions of the video camera of FIG. 1.

1 Claim, 6 Drawing Sheets



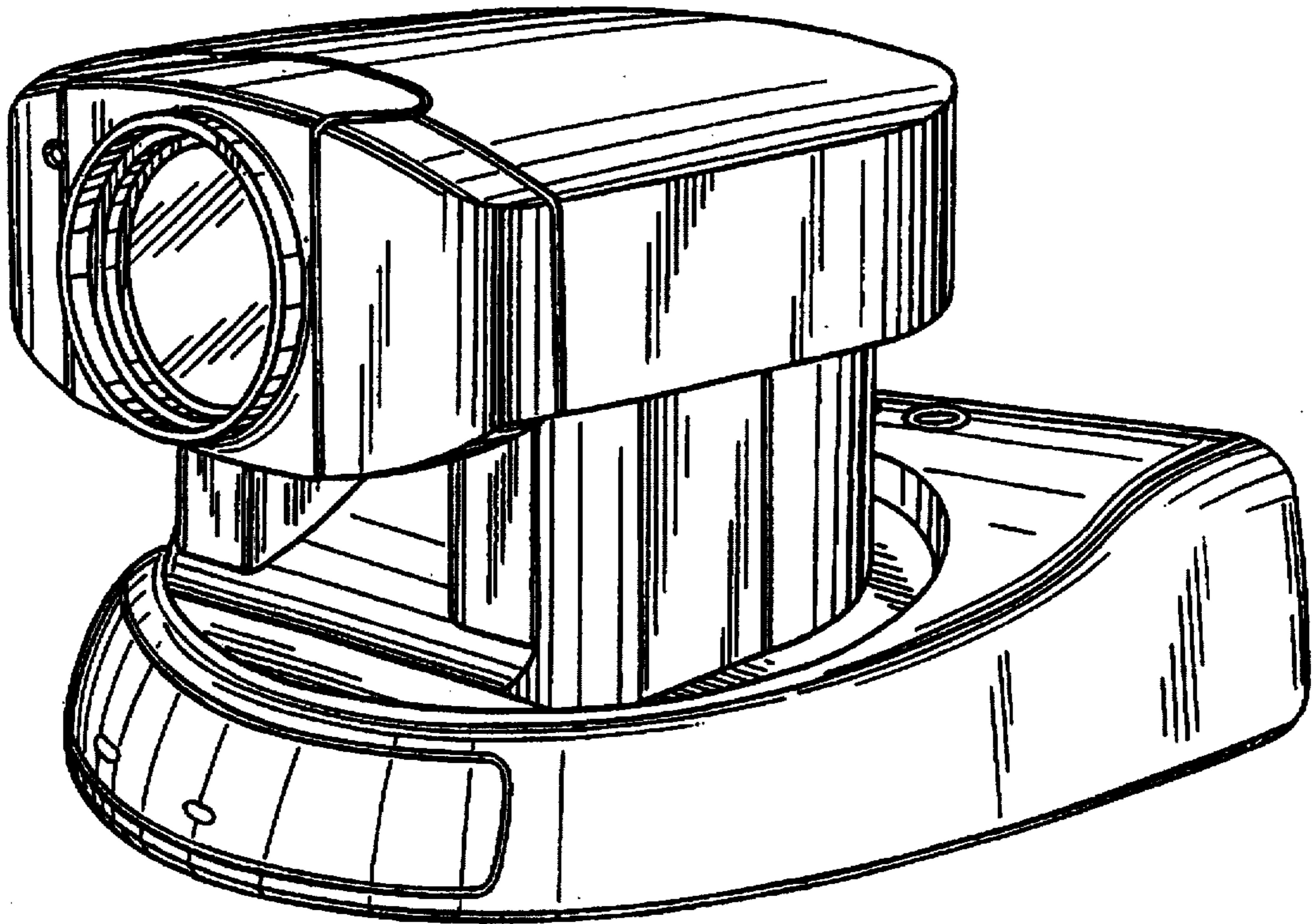
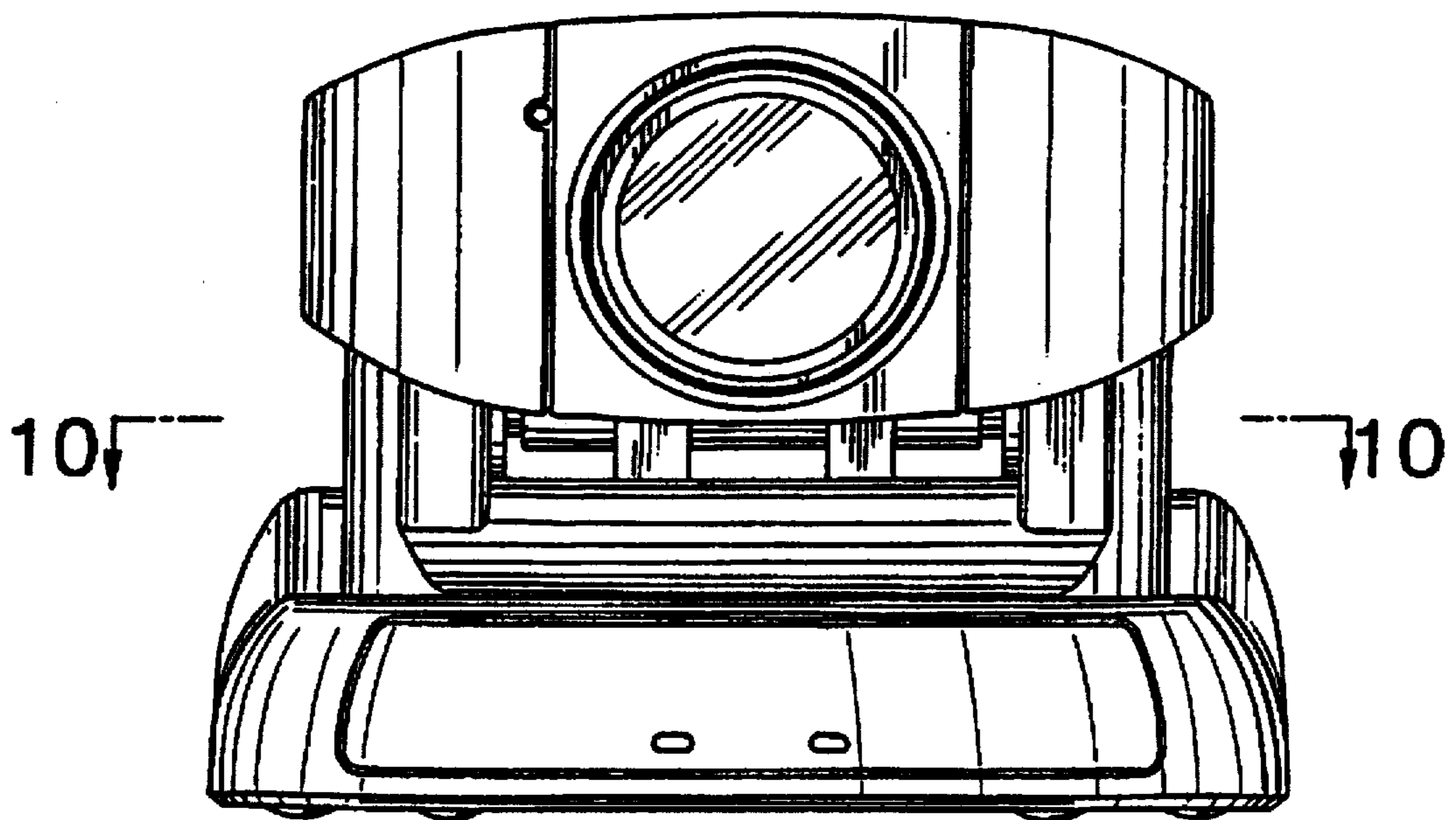


FIG.1

11 ↗



10 ↘

10 ↘

11 ↘

FIG.2

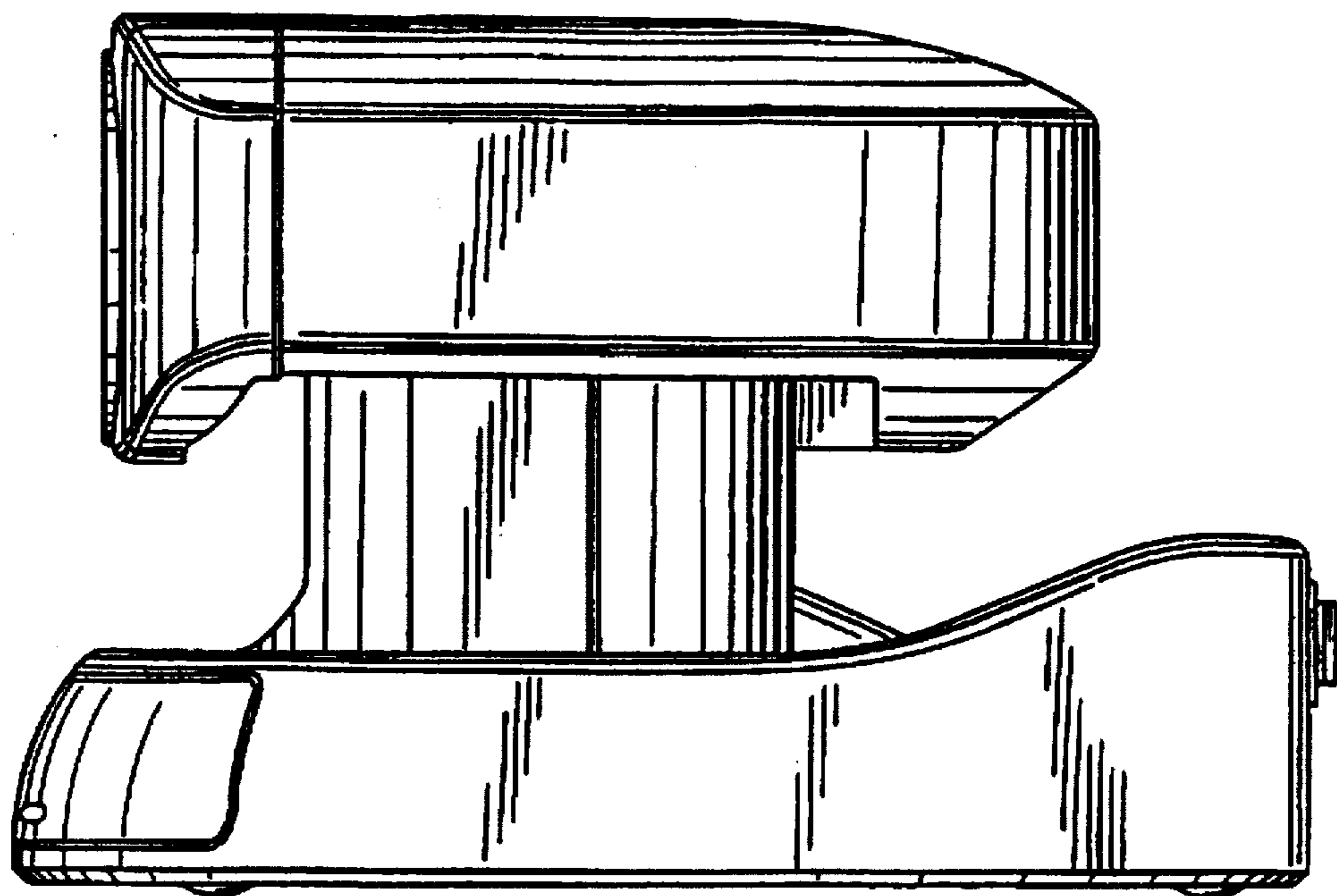


FIG.3

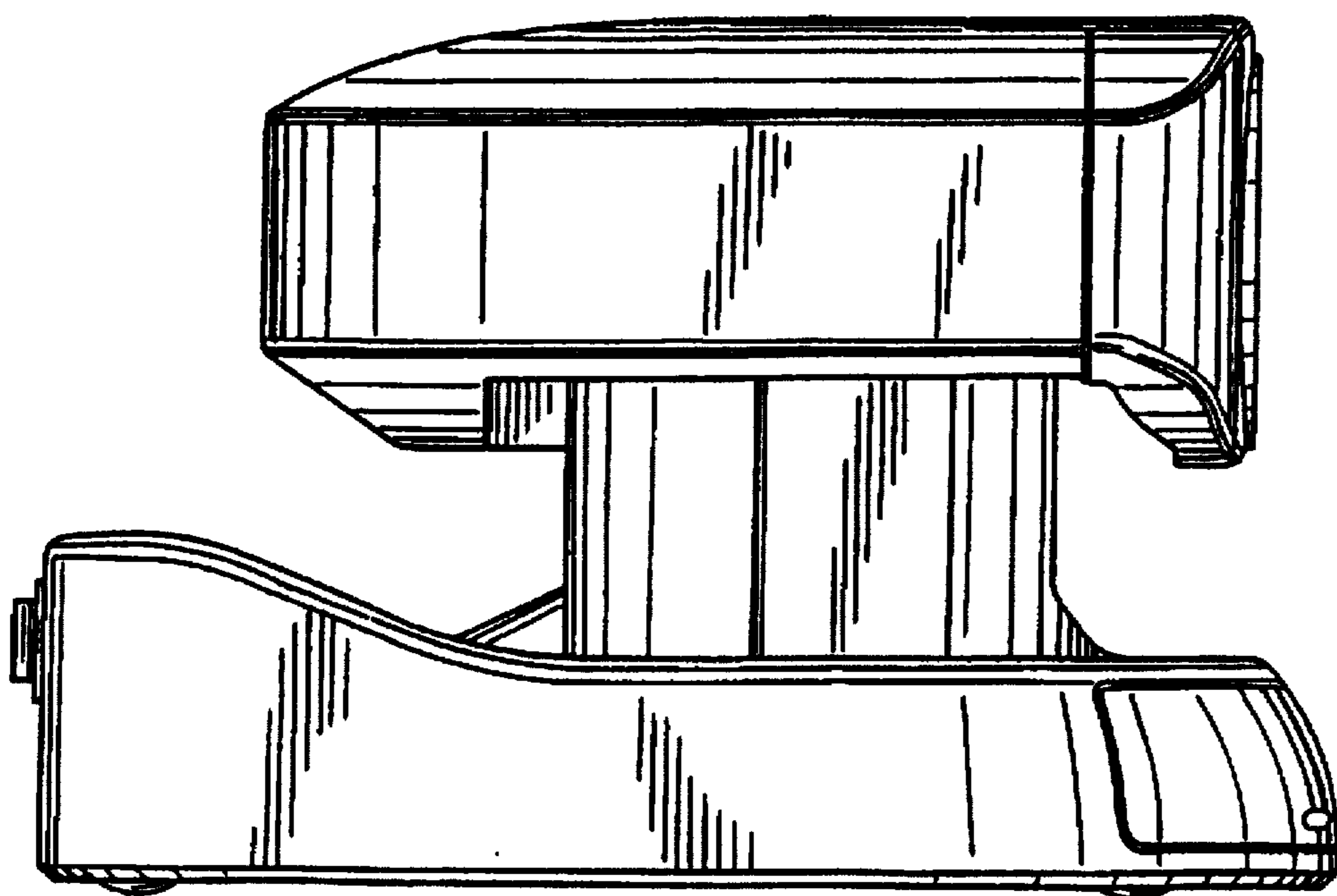


FIG.4

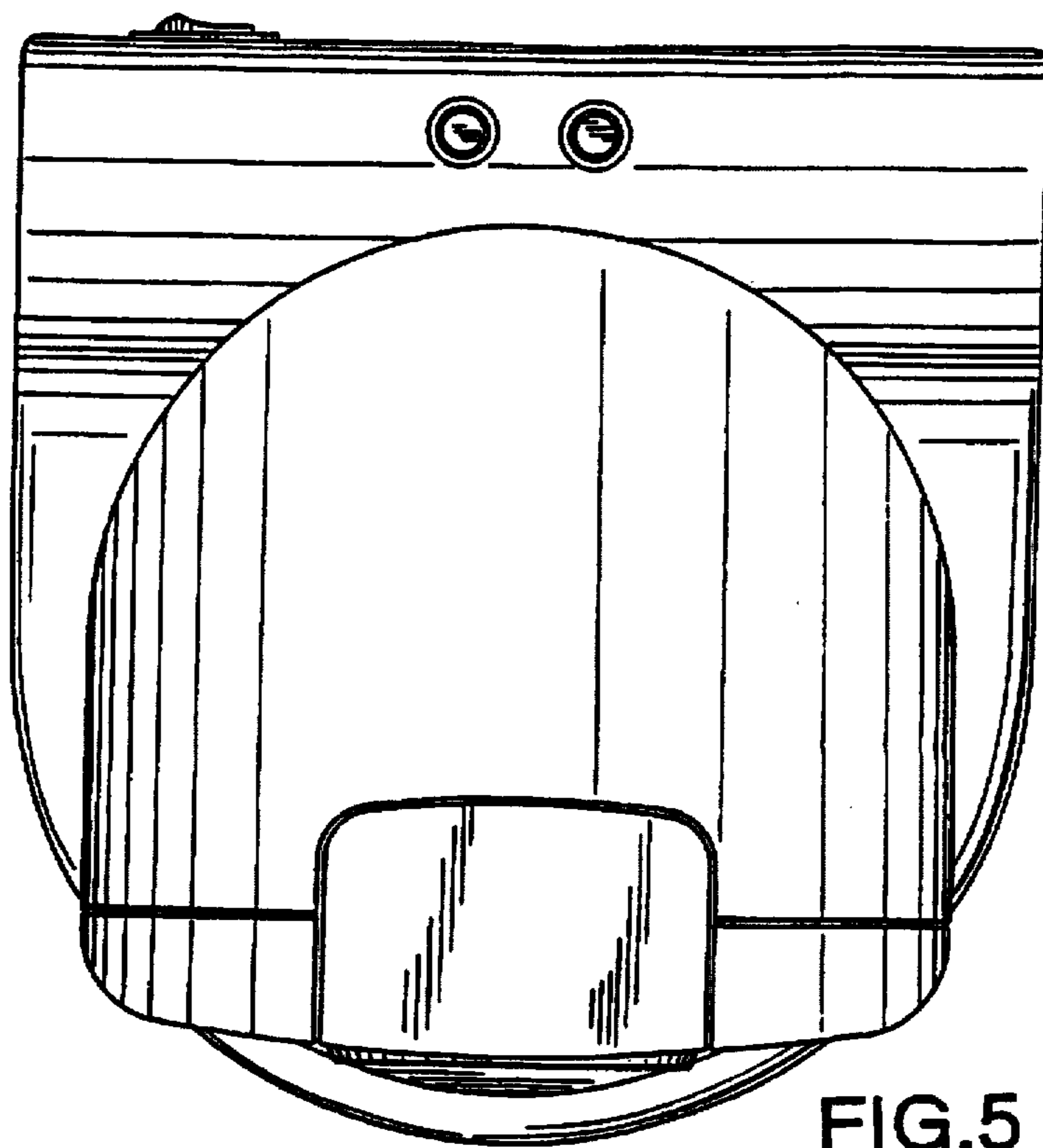


FIG.5

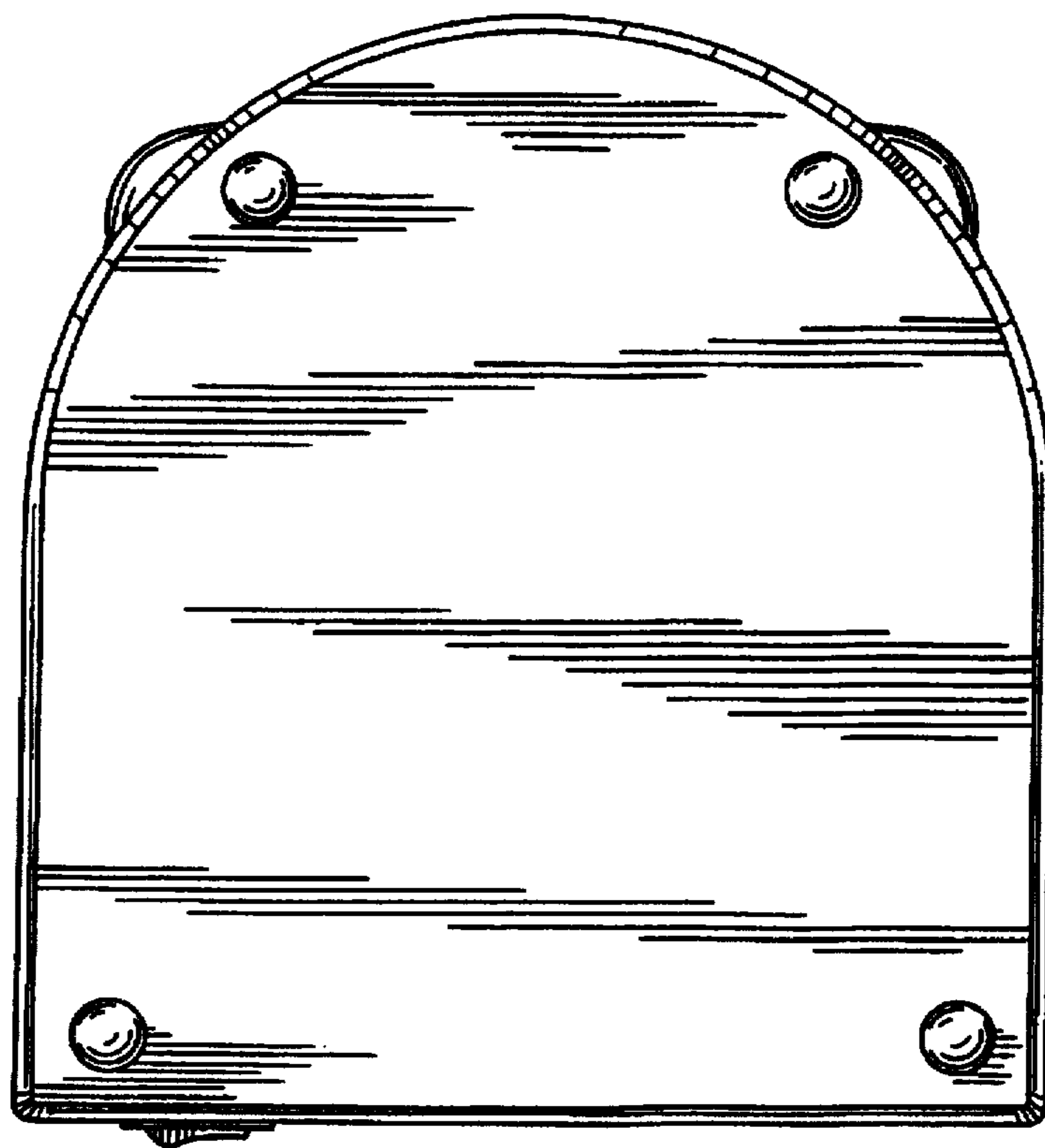


FIG.6

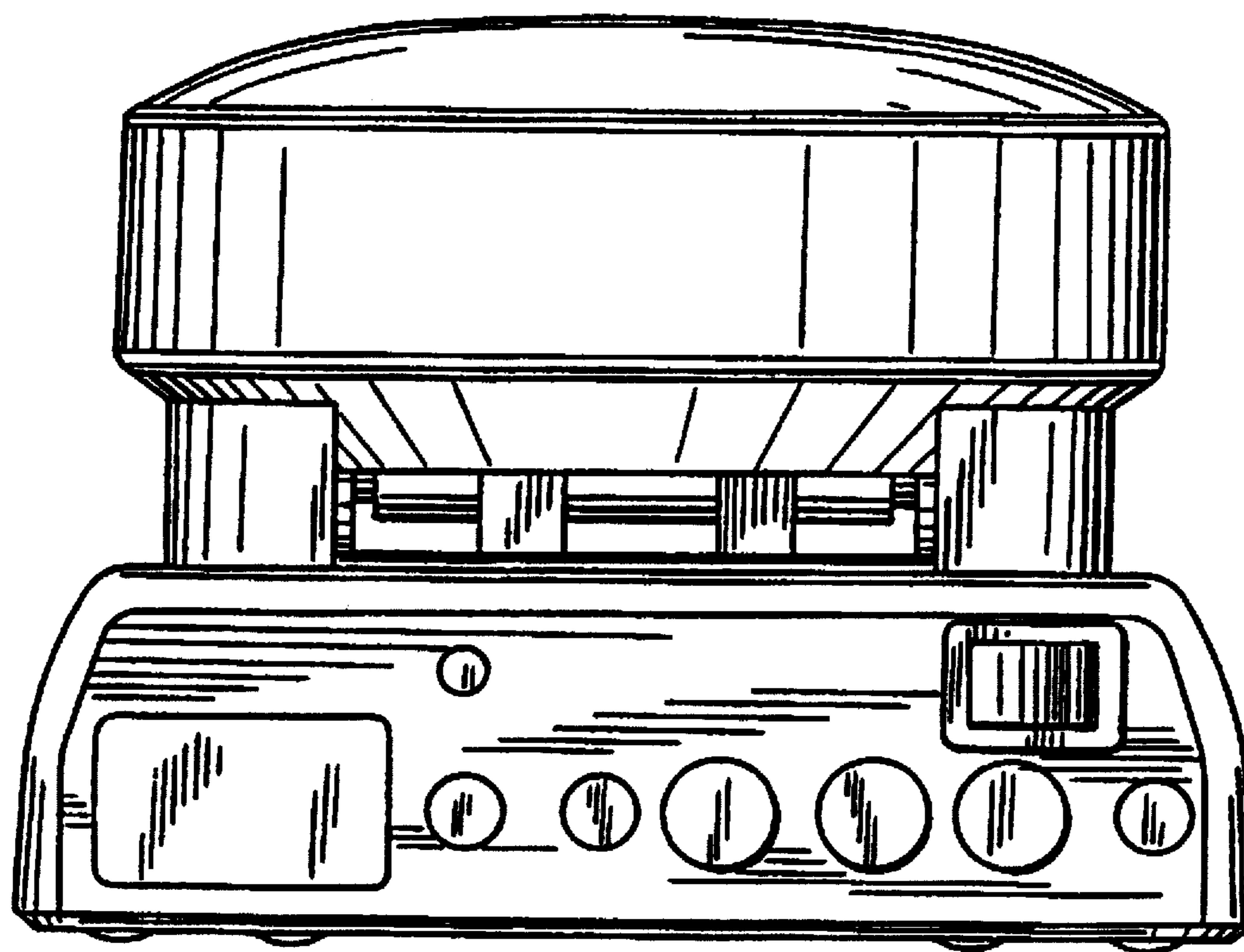


FIG.7

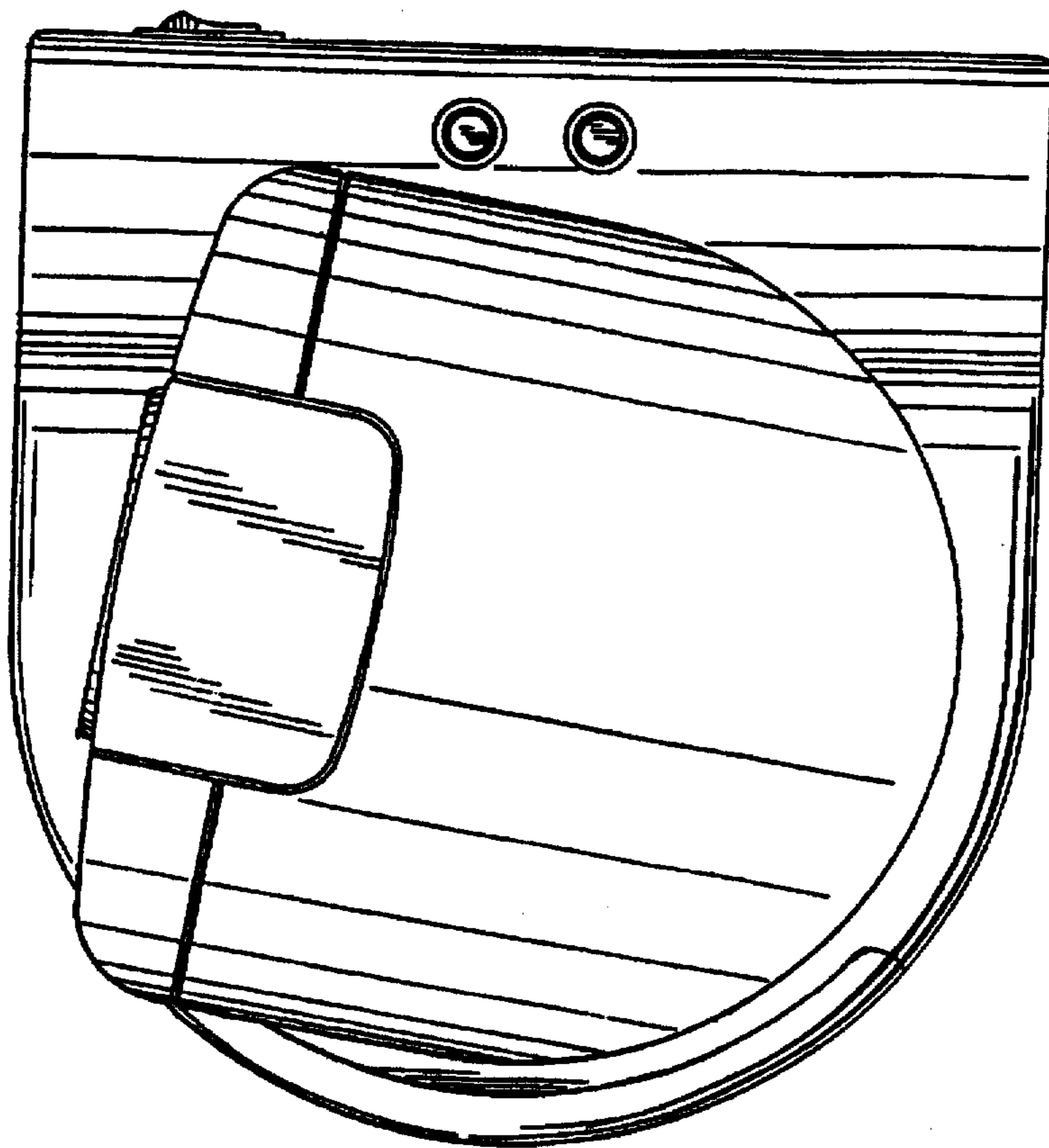


FIG. 8

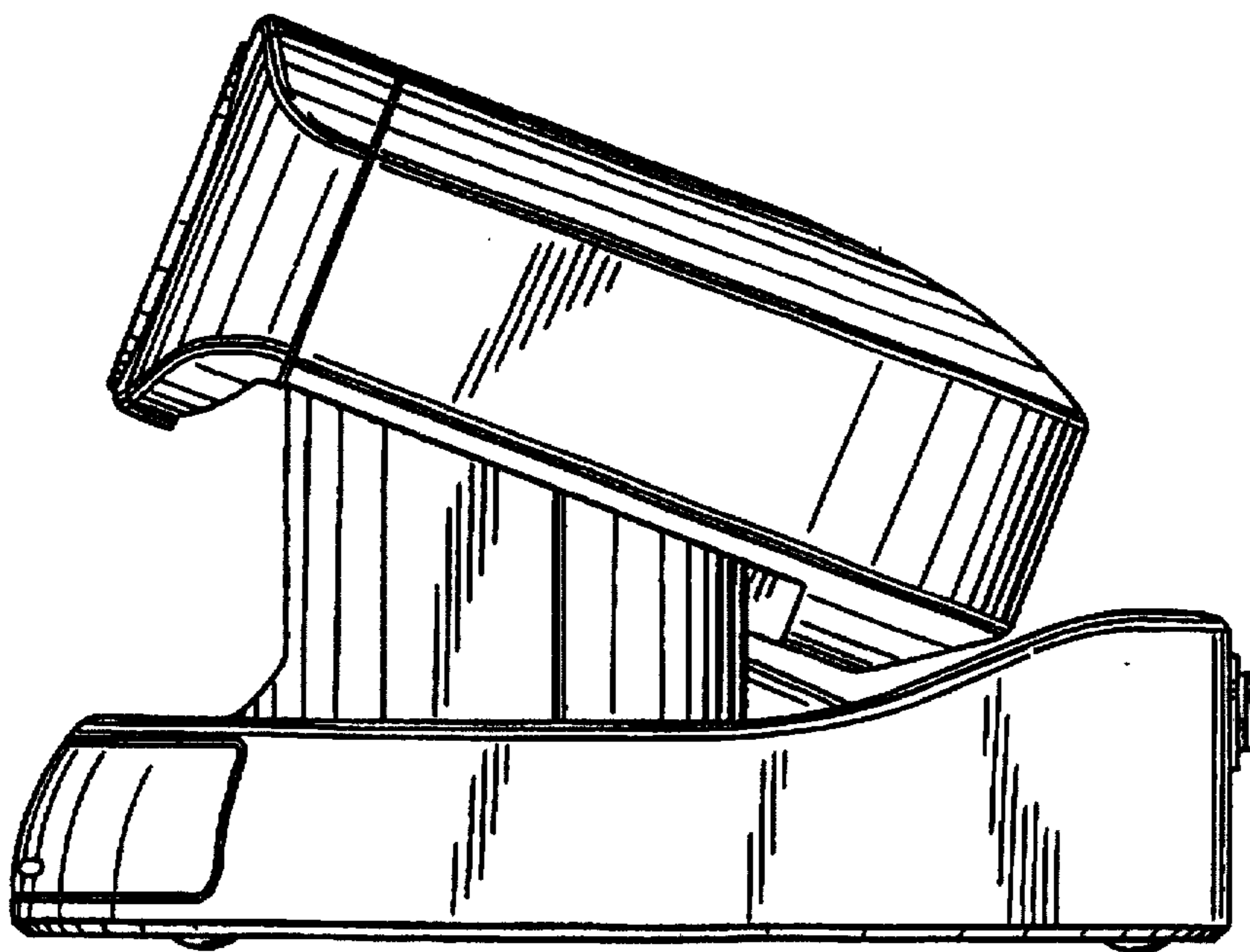


FIG. 9

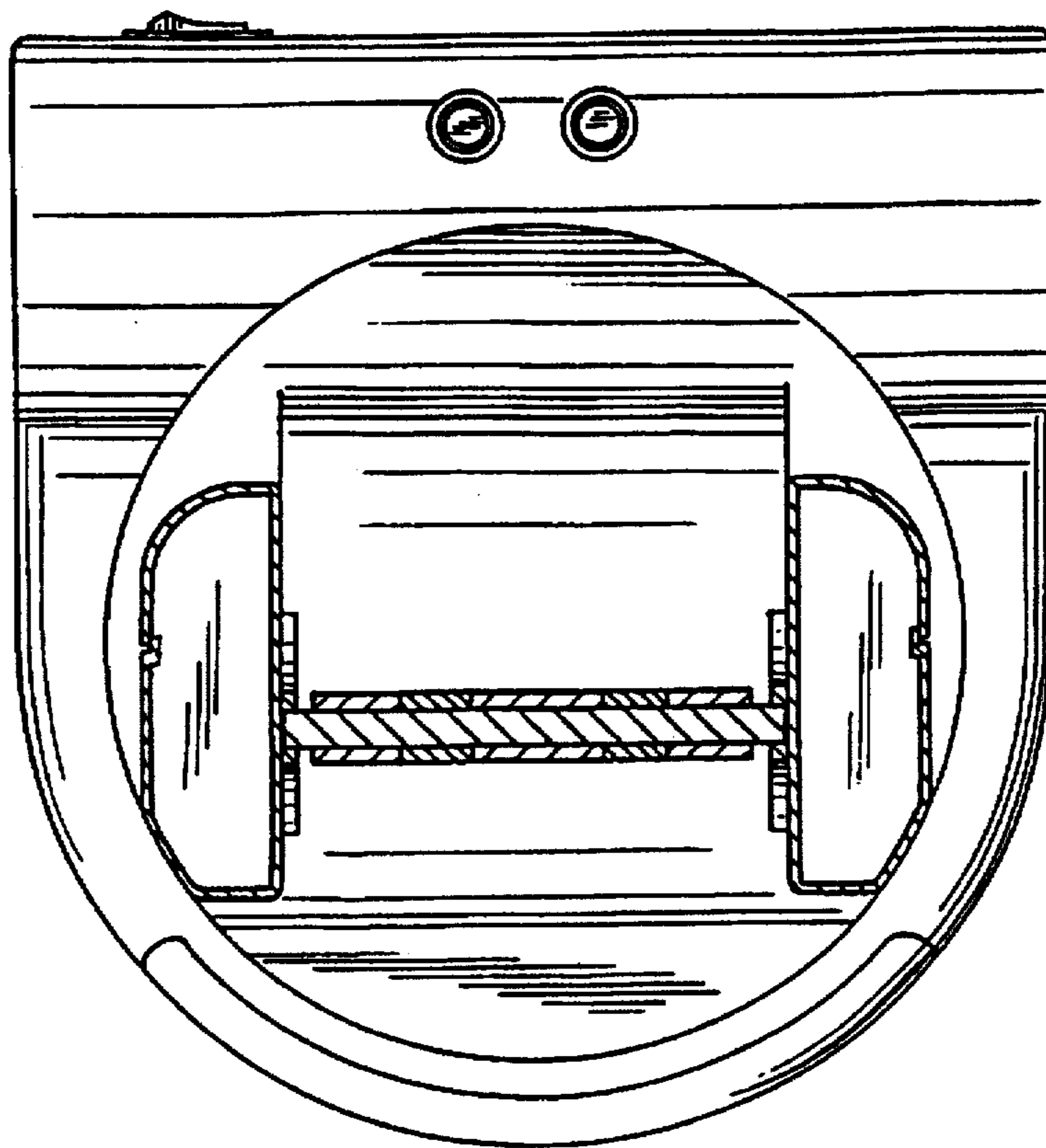


FIG. 10

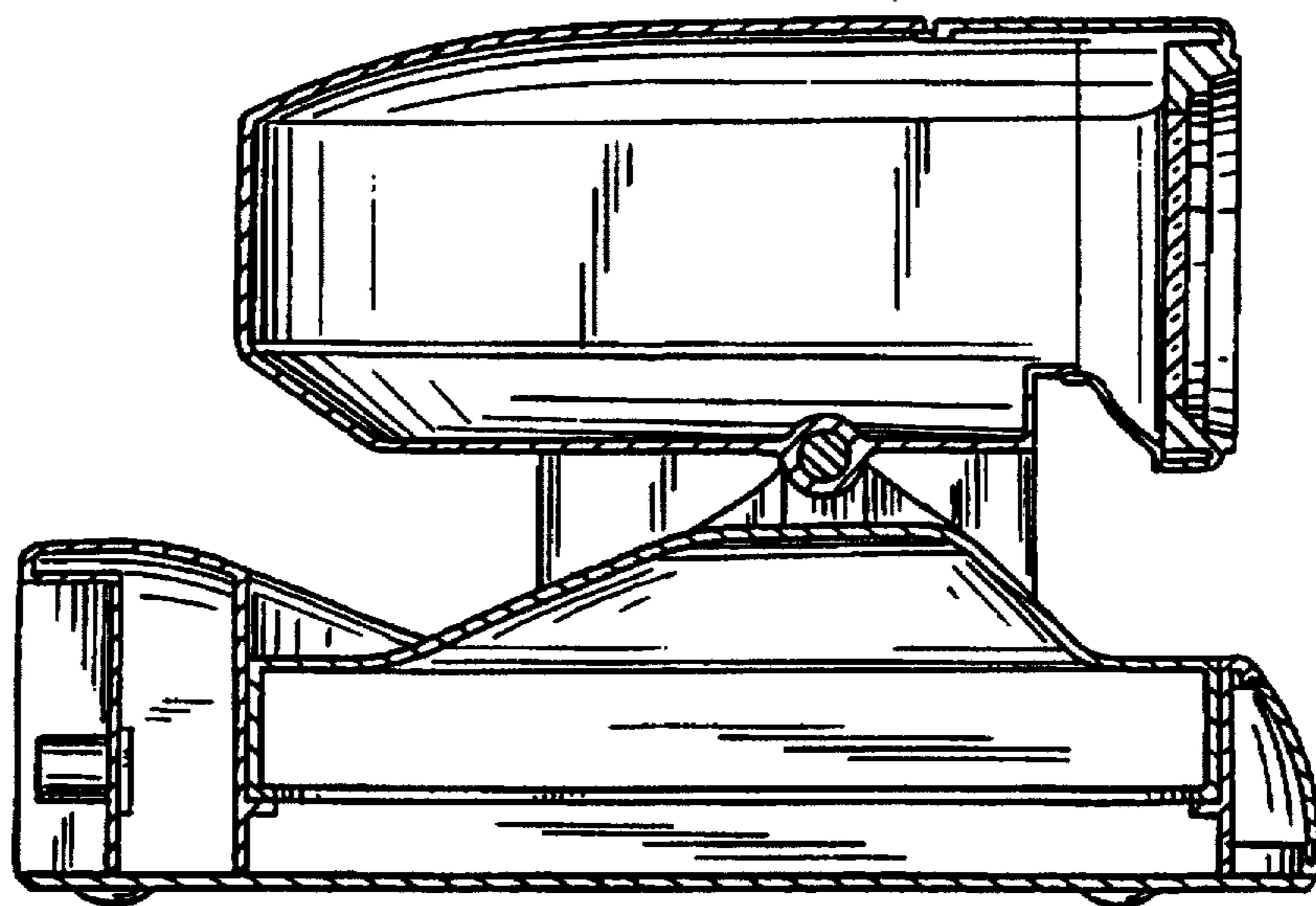


FIG. 11