



US00D386504S

United States Patent [19]
Dieck

[11] **Patent Number: Des. 386,504**

[45] **Date of Patent: **Nov. 18, 1997**

[54] **AUTOMATIC REEL GRINDER ENCLOSURE**

[75] **Inventor: James H. Dieck, River Falls, Wis.**

[73] **Assignee: Foley-Belsaw Company, Minneapolis, Minn.**

[**] **Term: 14 Years**

[21] **Appl. No.: 44,821**

[22] **Filed: Oct. 2, 1995**

Related U.S. Application Data

[63] **Continuation of Ser. No. 38,087, Apr. 28, 1995, abandoned.**

[51] **LOC (6) Cl. 15-09**

[52] **U.S. Cl. D15/124**

[58] **Field of Search D15/124; 451/5, 451/64, 141, 340**

[56] **References Cited**

U.S. PATENT DOCUMENTS

| | | | |
|------------|---------|----------------------|------------|
| D. 250,196 | 11/1978 | Caccioli et al. | D15/124 |
| D. 320,607 | 10/1991 | Smith et al. | D15/126 |
| 3,724,139 | 4/1973 | Leverenz | 451/141 |
| 4,005,554 | 2/1977 | Campbell | 451/421 |
| 4,148,158 | 4/1979 | Hewitt | 451/141 |
| 4,621,456 | 11/1986 | Winstanley | 451/421 |
| 4,694,613 | 9/1987 | Bernhard | 51/34 C |
| 4,741,130 | 5/1988 | Tano et al. | 451/89 |
| 4,993,199 | 2/1991 | Hughes | 451/89 |
| 5,012,617 | 5/1991 | Winstanley | 451/141 |
| 5,291,724 | 3/1994 | Cotton | 56/251 |
| 5,321,912 | 6/1994 | Neary et al. | 51/48 HE |
| 5,333,112 | 7/1994 | Bybee | 364/474.06 |
| 5,558,560 | 9/1996 | Uchida | 451/5 X |
| 5,601,473 | 2/1997 | Strain et al. | 451/5 |

OTHER PUBLICATIONS

"The Key to the Manicured Look" brochure, Foley United, undated.

"For a Safer Grind!" brochure, Foley United, undated.

"The Peerless 2000 Automatic Spin and Relief Grinder" brochure, Simplex Ideal Peerless, undated.

"The Peerless 1360 Automatic Spin and Relief Grinder" brochure, Simplex Ideal Peerless, undated.

"Landpride Turf Reel Grinders" Brochure, Landpride Turf, undated.

"Express Dual" brochure, Bernhard & Company Ltd., undated.

"Neary Spin-Matic II" Brochure, Neary Manufacturing, copyright 1986.

"Ransomes Precision Grinders" brochure, Ransomes America Corporation, copyright 1994.

Primary Examiner—Antoine Duval Davis

Attorney, Agent, or Firm—John W. Bunch

[57] **CLAIM**

The ornamental design for an automatic reel grinder enclosure, as shown and described.

DESCRIPTION

FIG. 1 is a perspective view of an automatic reel grinder enclosure incorporating my new design, with the canopy shown in closed position;

FIG. 2 is a front elevational view thereof;

FIG. 3 is a rear elevational view thereof;

FIG. 4 is a top plan view thereof;

FIG. 5 is a right side elevational view thereof, the left side being a mirror image of that shown;

FIG. 6 is a perspective view of an automatic reel grinder enclosure incorporating my new design, with the canopy shown in open position;

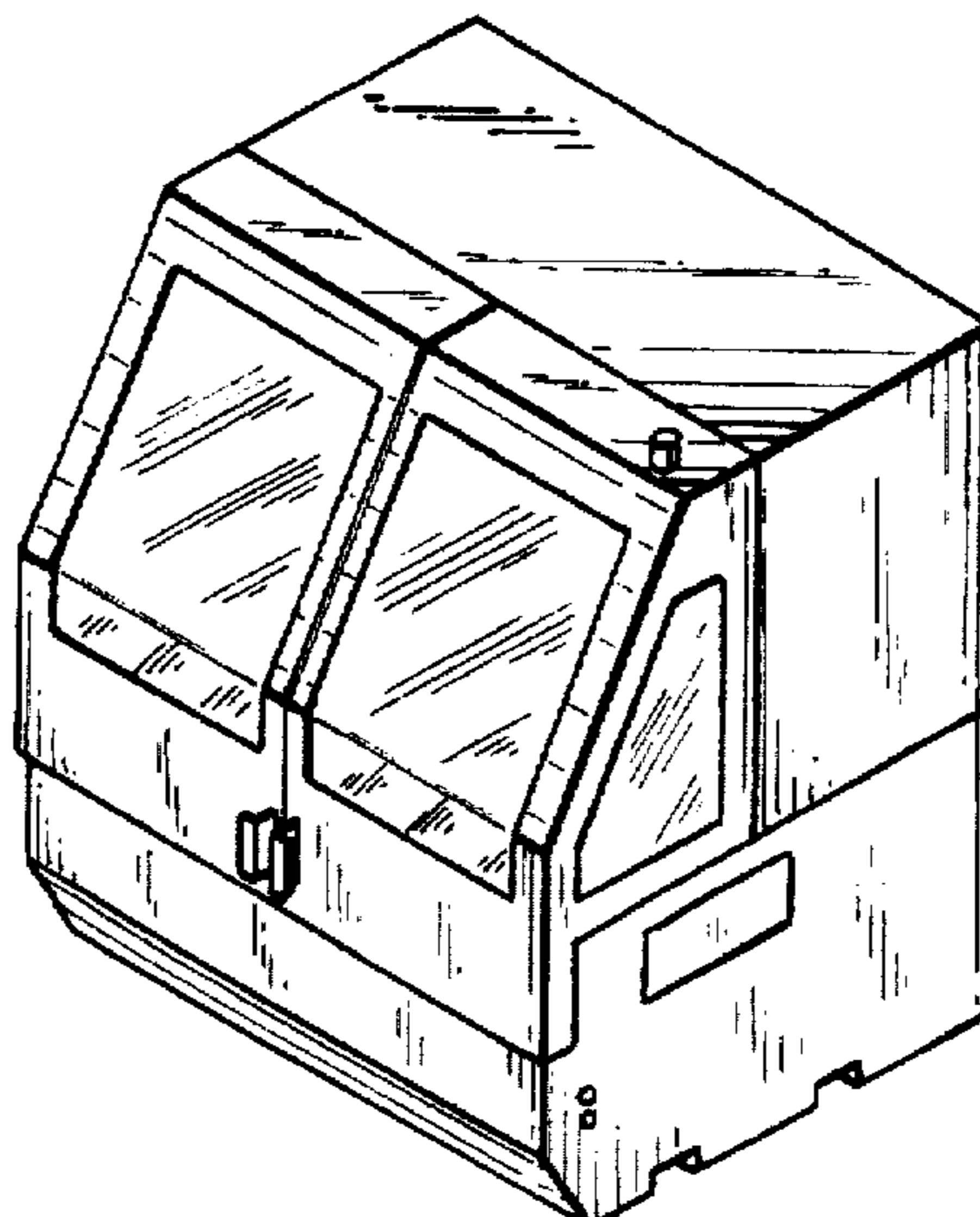
FIG. 7 is a front elevational view thereof;

FIG. 8 is a rear elevational view thereof;

FIG. 9 is a top plan view thereof; and,

FIG. 10 is a right elevational view thereof, the left side being a mirror image of that shown.

1 Claim, 3 Drawing Sheets



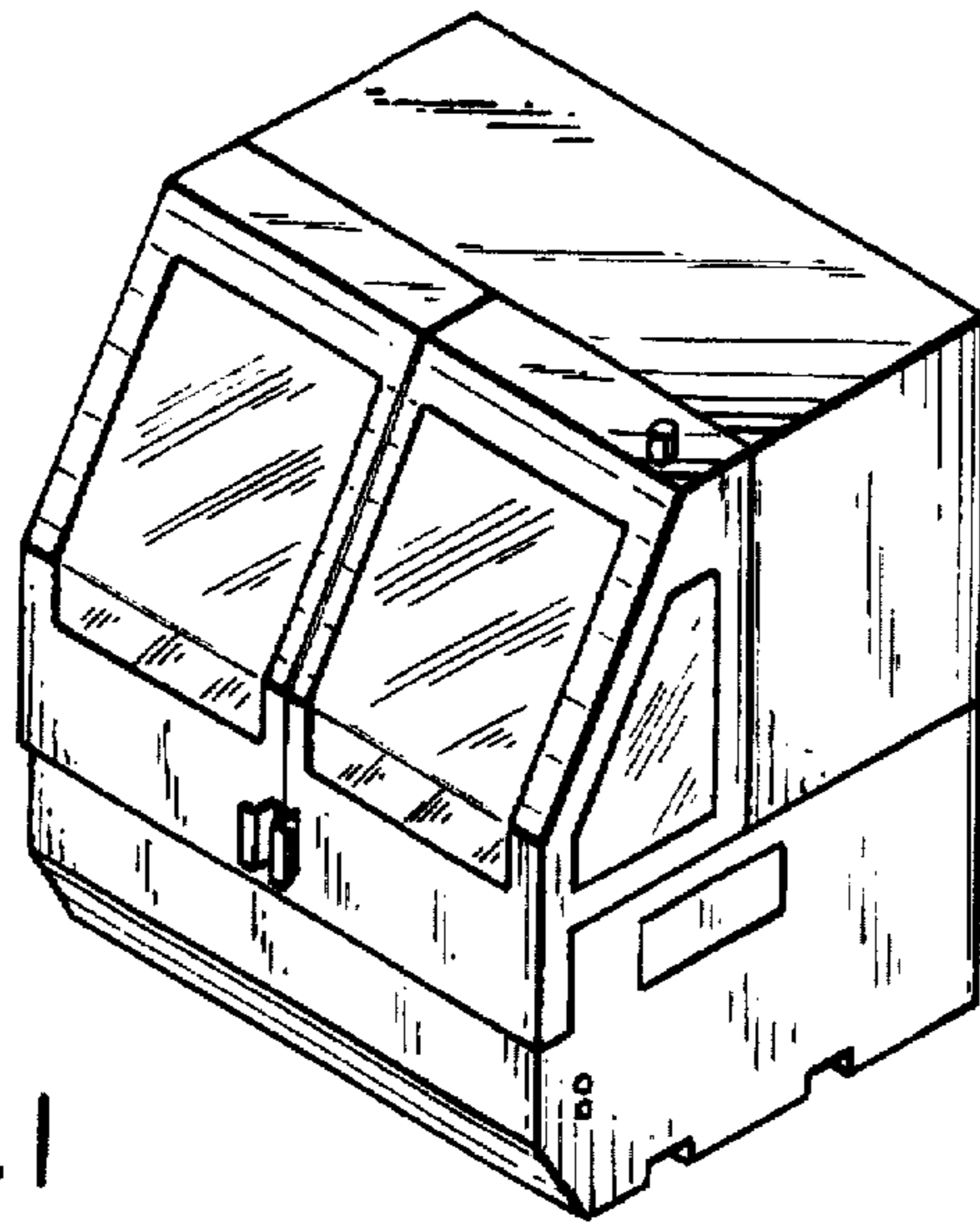


FIG. 1

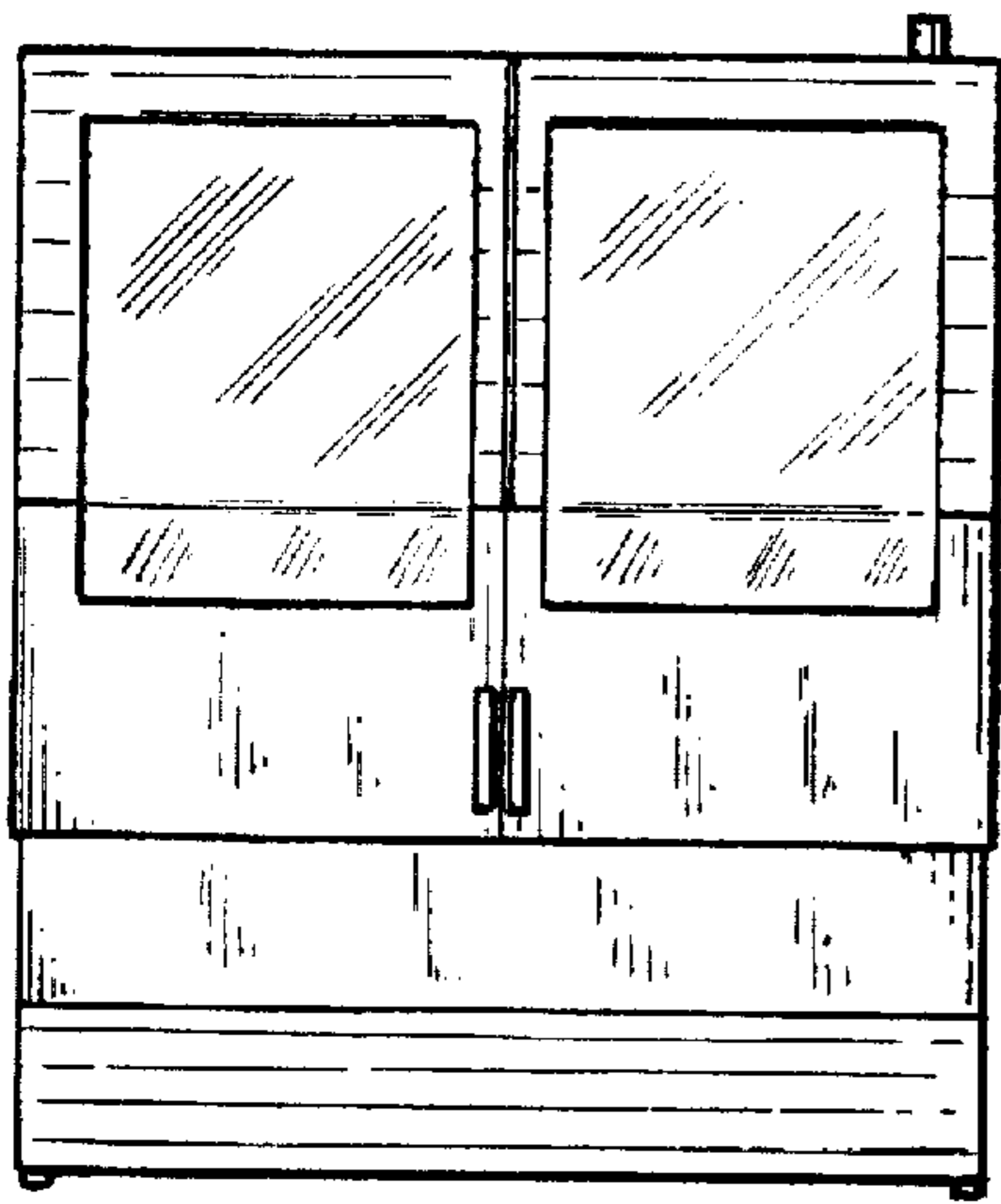


FIG. 2

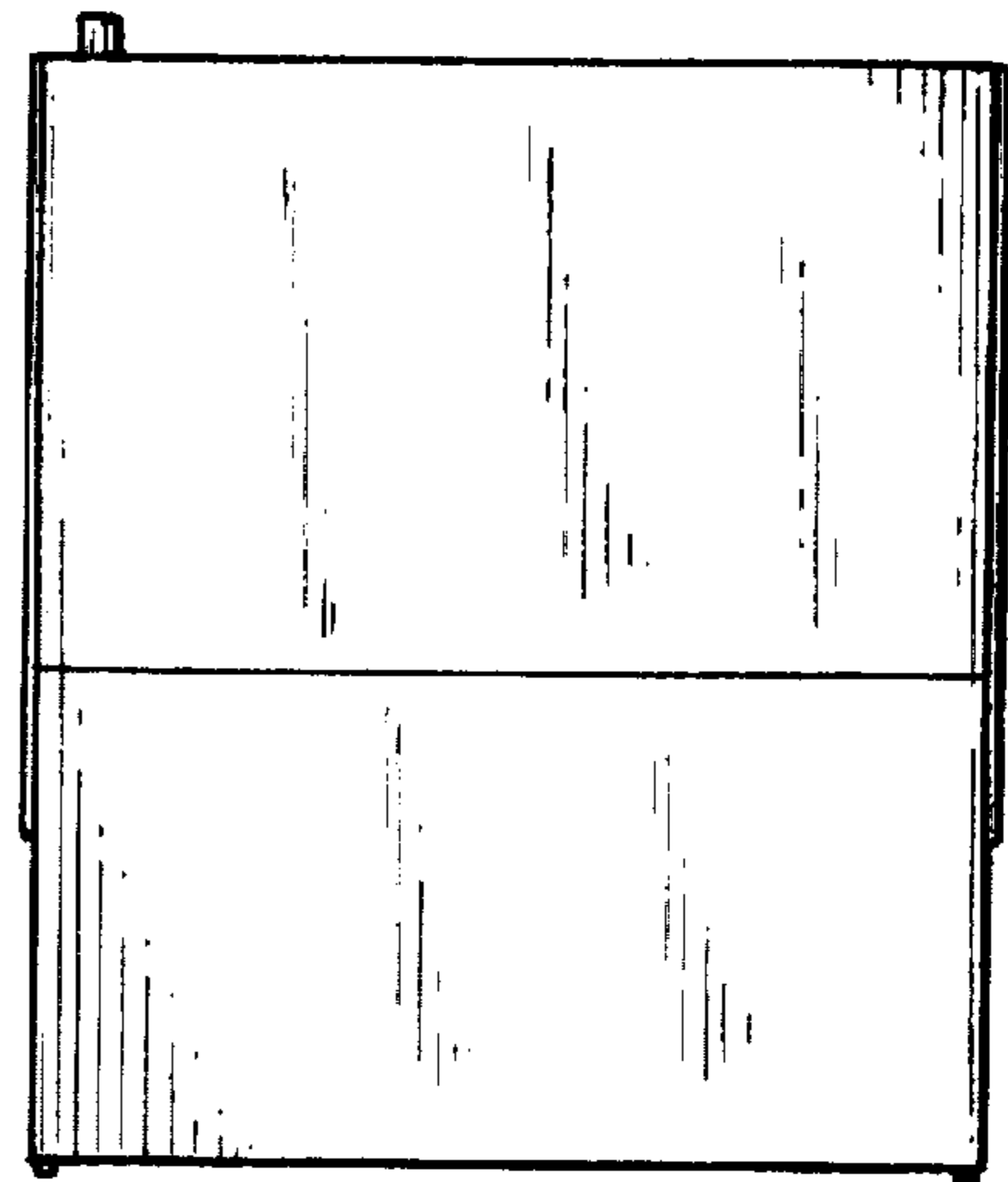


FIG. 3

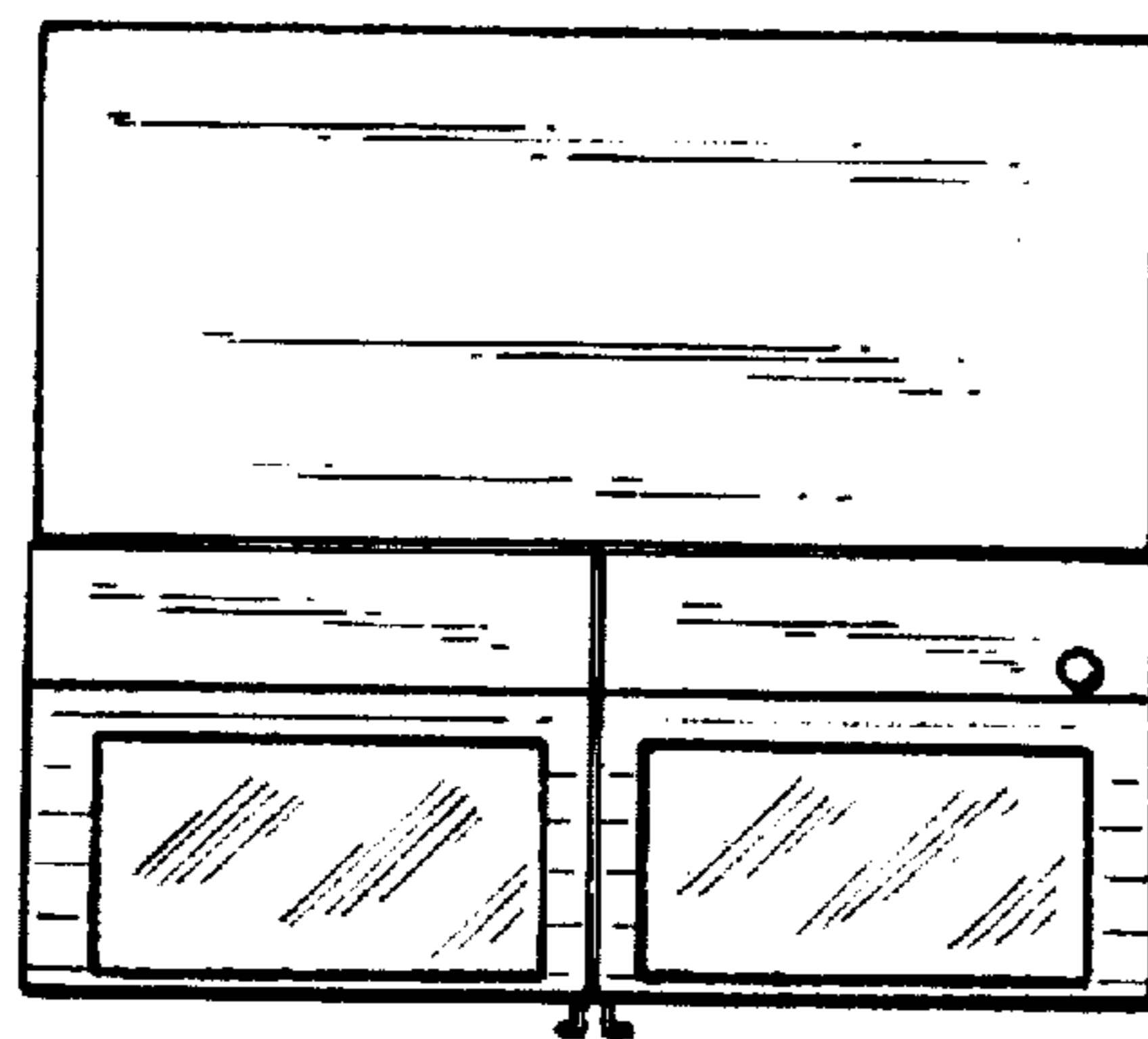


FIG. 4

FIG. 5

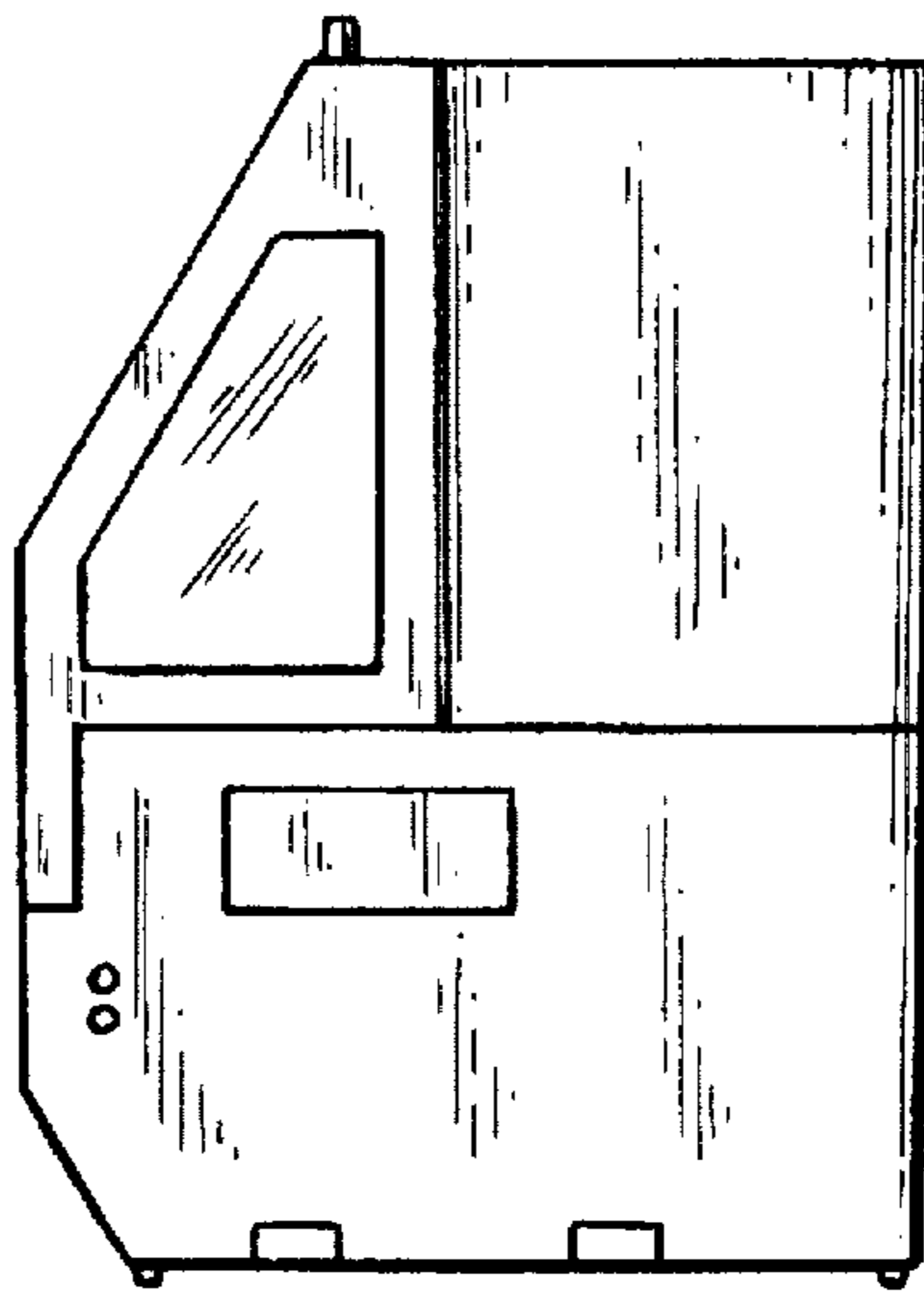


FIG. 6

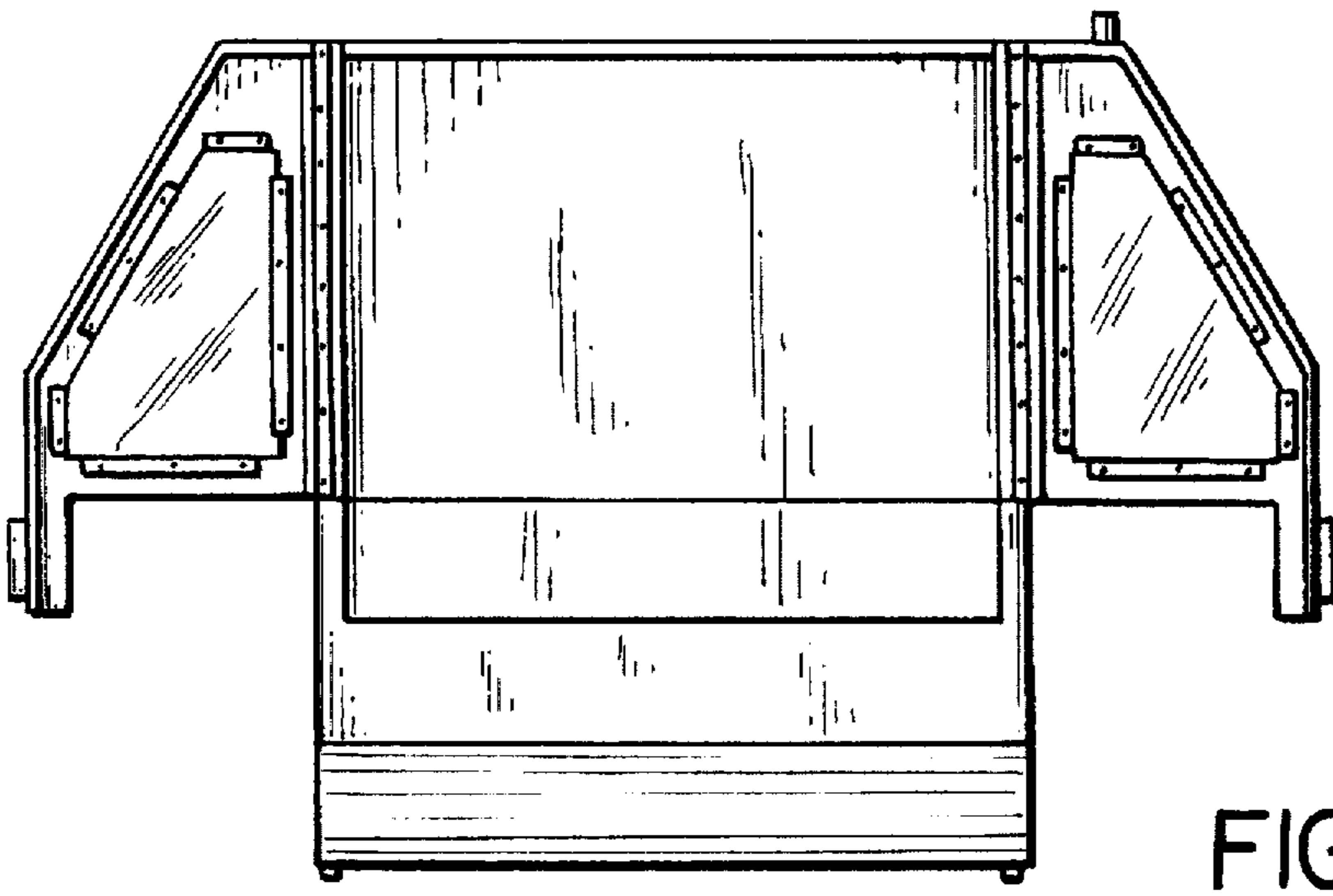
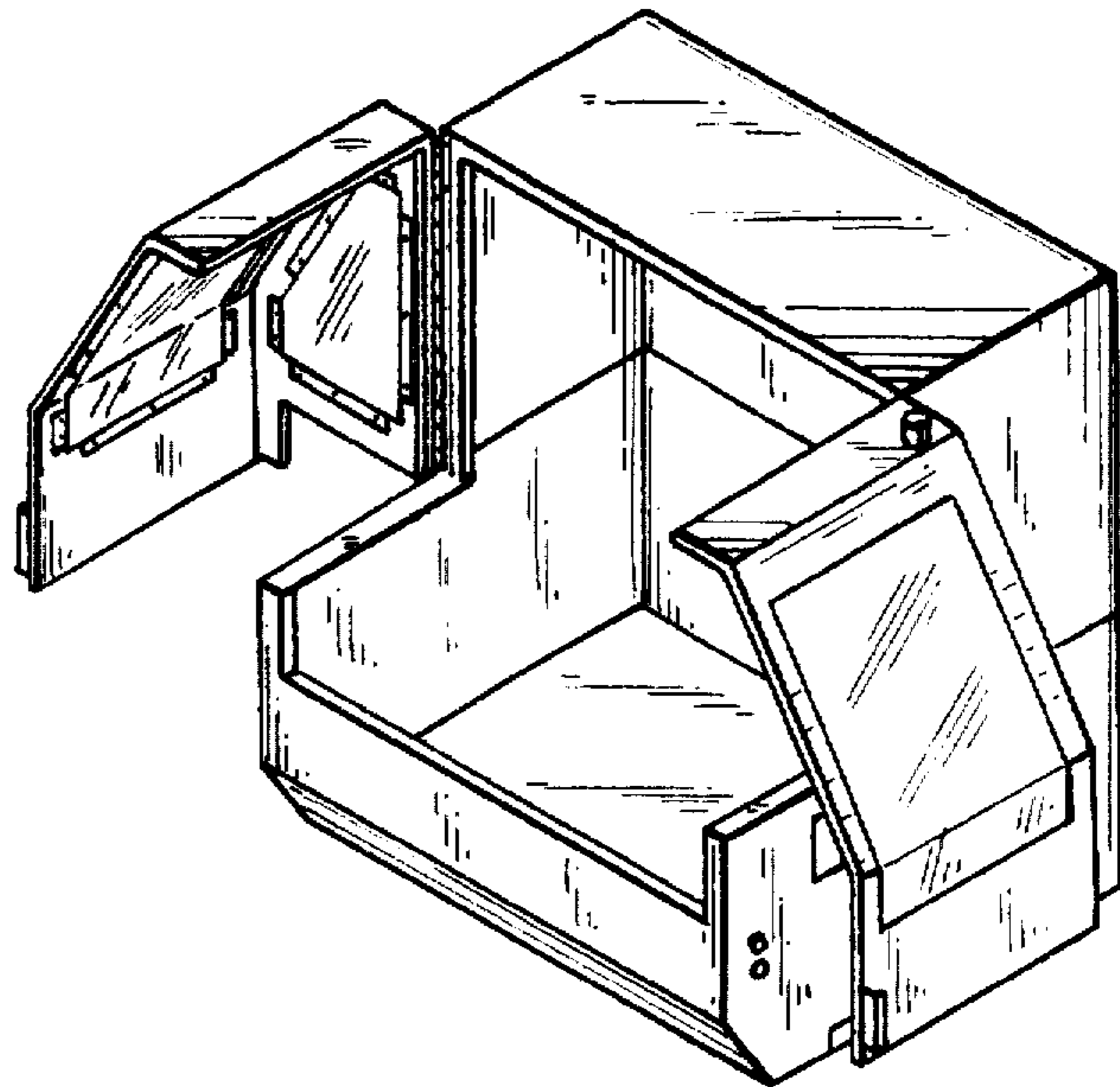


FIG. 7

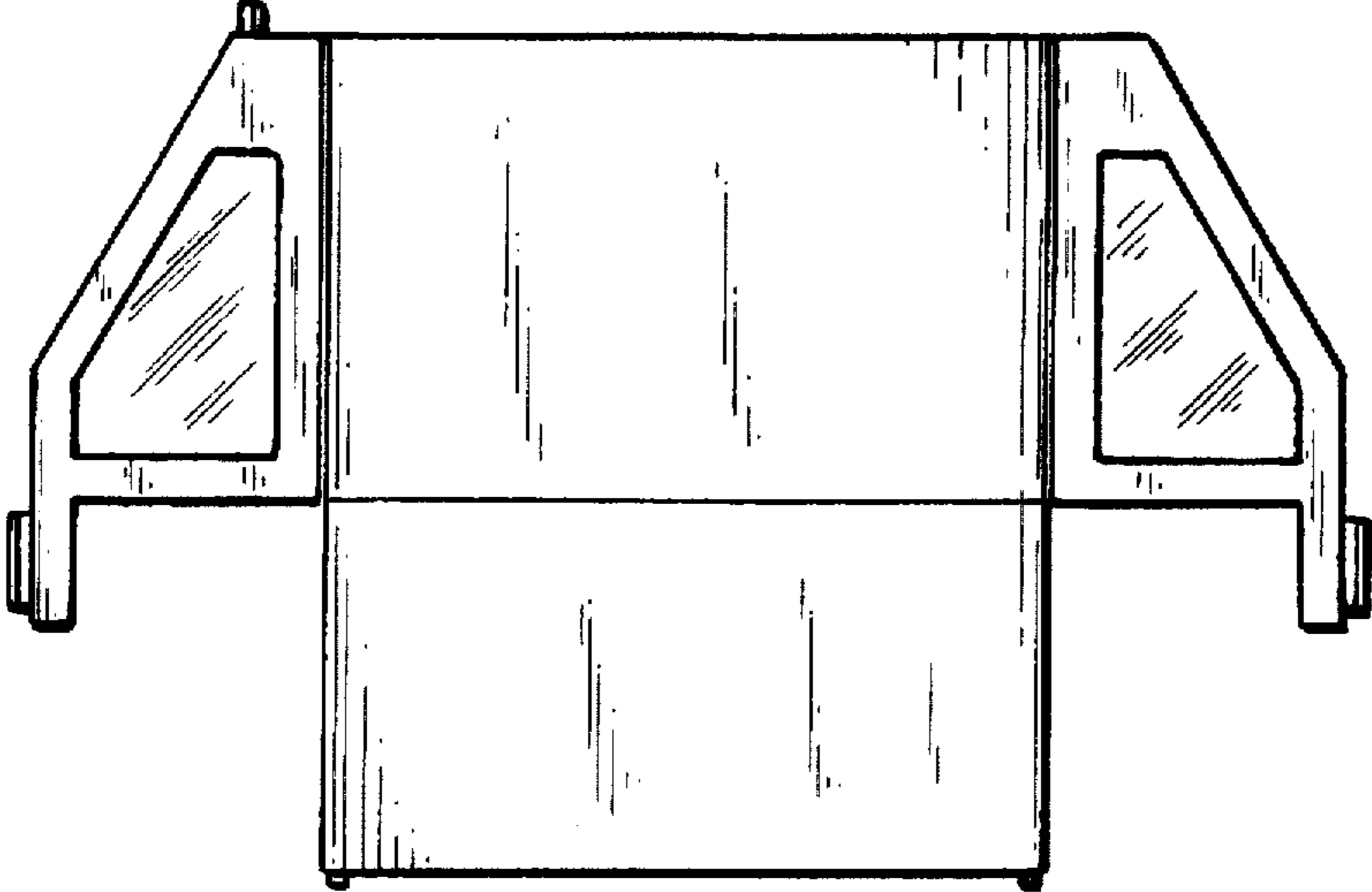


FIG. 8

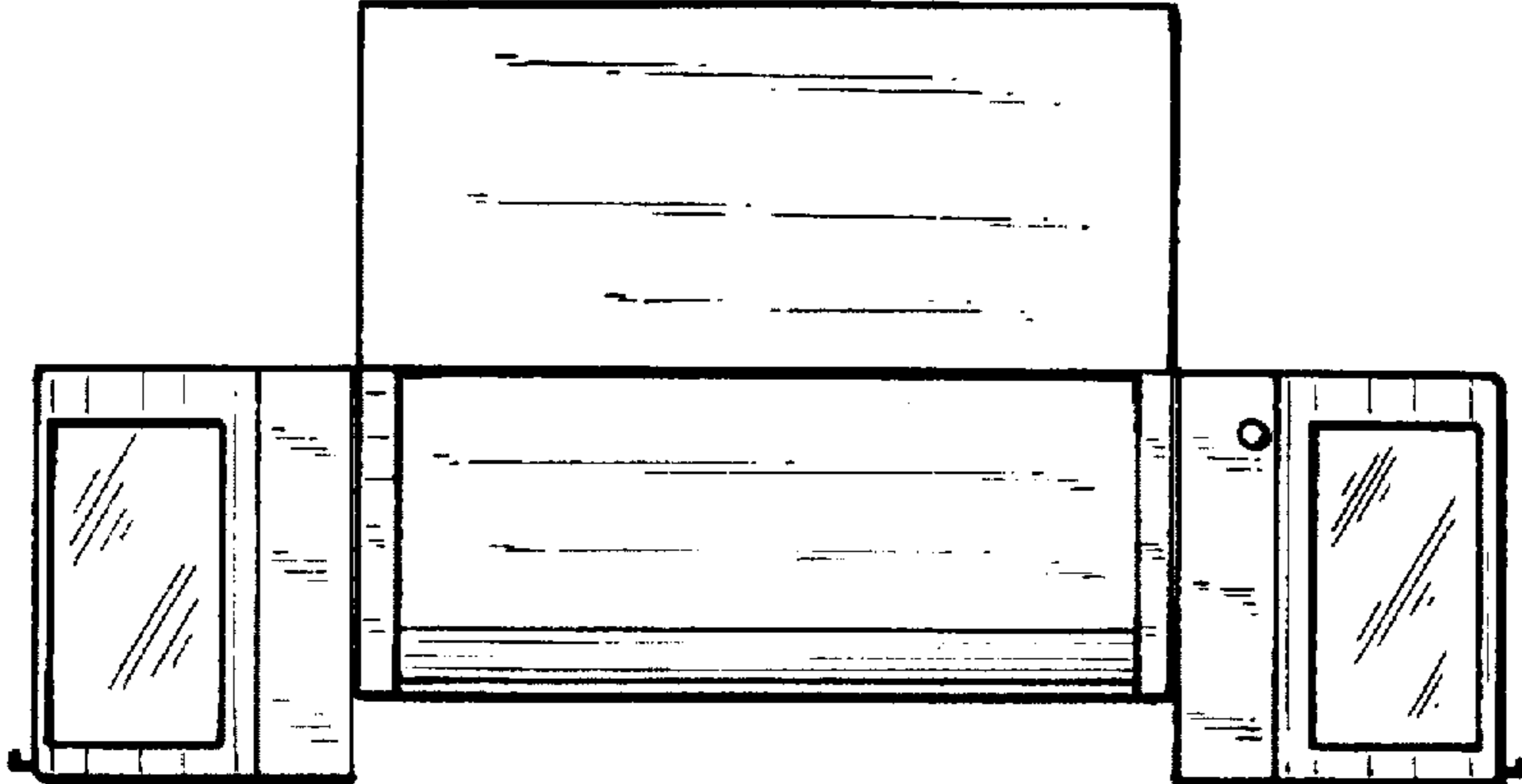


FIG. 9

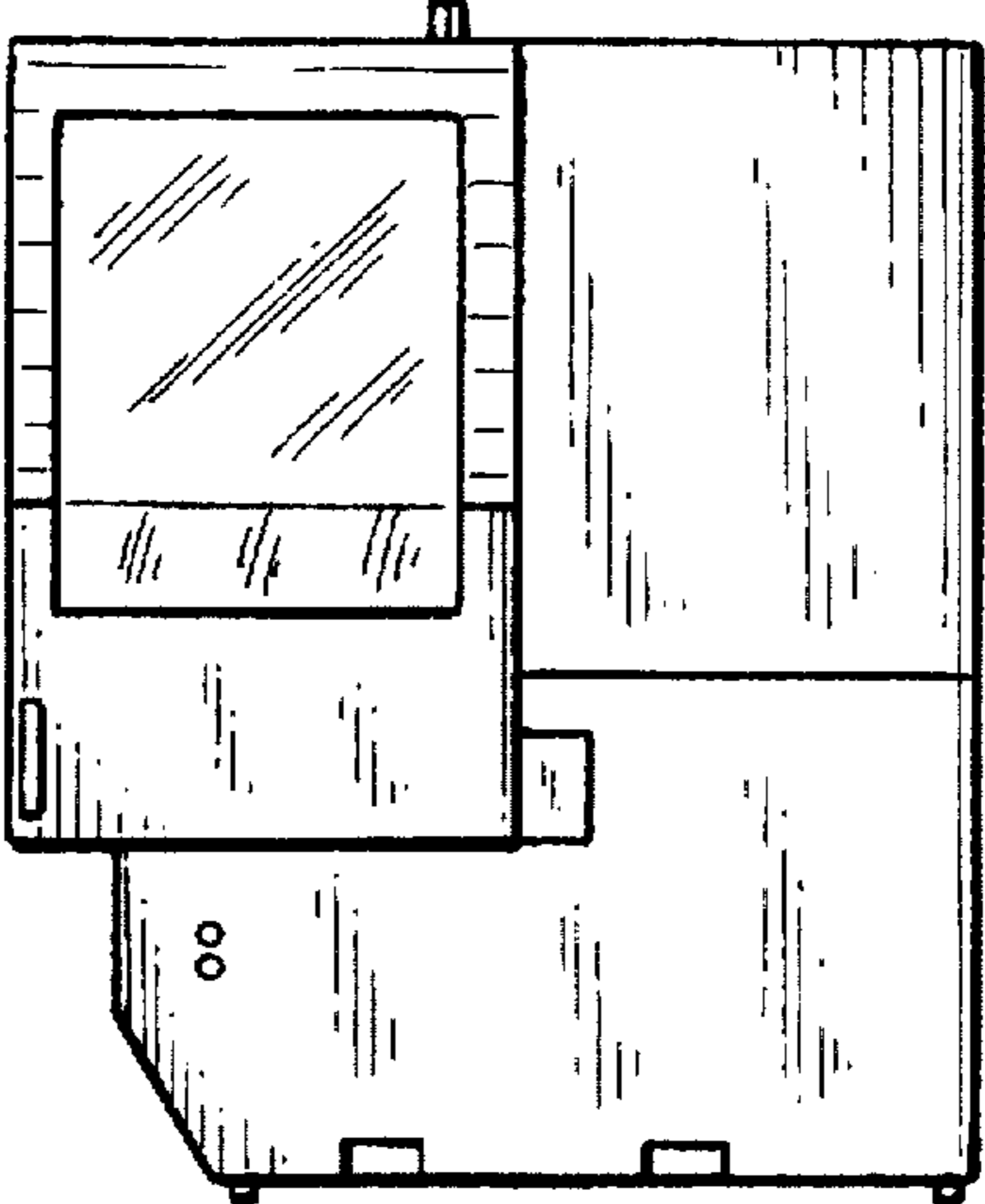


FIG. 10