



US00D386501S

United States Patent [19]

Shaw

[11] Patent Number: Des. 386,501

[45] Date of Patent: **Nov. 18, 1997

[54] WEAVING MACHINE

D. 216,069 11/1969 Hasleiz D15/66
2,655,947 10/1953 Beizglund 139/30

[75] Inventor: Henry Shaw, Woesten-Vleteren, Belgium

Primary Examiner—Sandra L. Morris
Attorney, Agent, or Firm—Bacon & Thomas

[73] Assignee: Picanol N.V., Naamloze Vennootschap, Belgium

[57] CLAIM

[**] Term: 14 Years

The ornamental design for a weaving machine, as shown.

[21] Appl. No.: 47,173

DESCRIPTION

[22] Filed: Nov. 28, 1995

FIG. 1 is a perspective view of a weaving machine, showing my new design;

[30] Foreign Application Priority Data

FIG. 2 is a front elevational view thereof;

Jun. 22, 1995 [BX] Benelux TM/Des. Off. 5802-00

FIG. 3 is a top plan view thereof;

[51] LOC (6) Cl. 15-06

FIG. 4 is a left side elevational view thereof;

[52] U.S. Cl. D15/66

FIG. 5 is a right side elevational view thereof;

[58] Field of Search D15/66-69; 112/217.1-217.4, 112/DIG. 3; 139/20-23, 11, 30, 114, 256 A

FIG. 6 is a rear elevational view thereof; and,

FIG. 7 is a bottom plan view thereof.

The design is shown broken away to indicate indeterminate length.

[56] References Cited

U.S. PATENT DOCUMENTS

D. 200,598 3/1965 Moore et al. D15/66

1 Claim, 2 Drawing Sheets

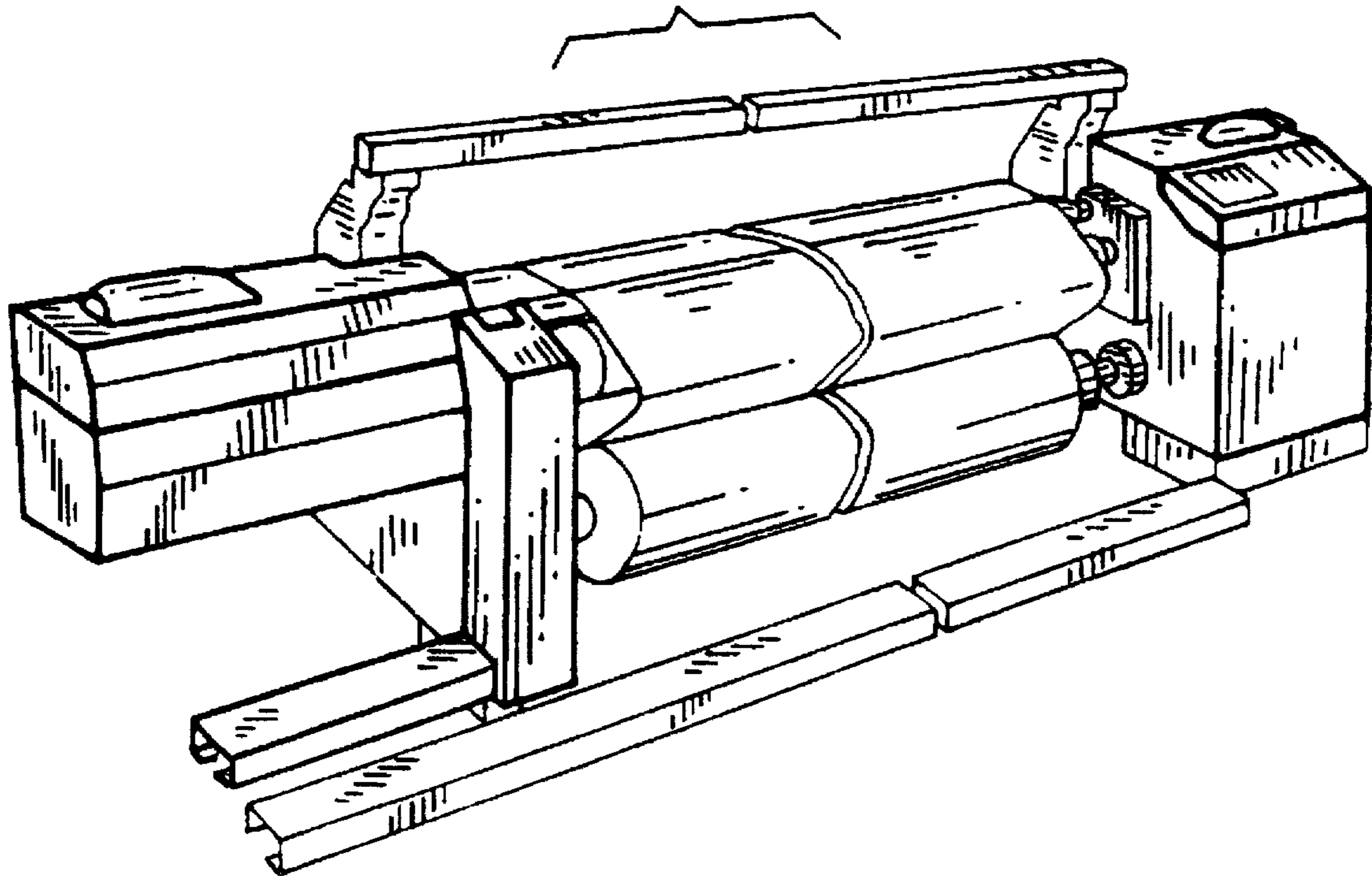


FIG. 1

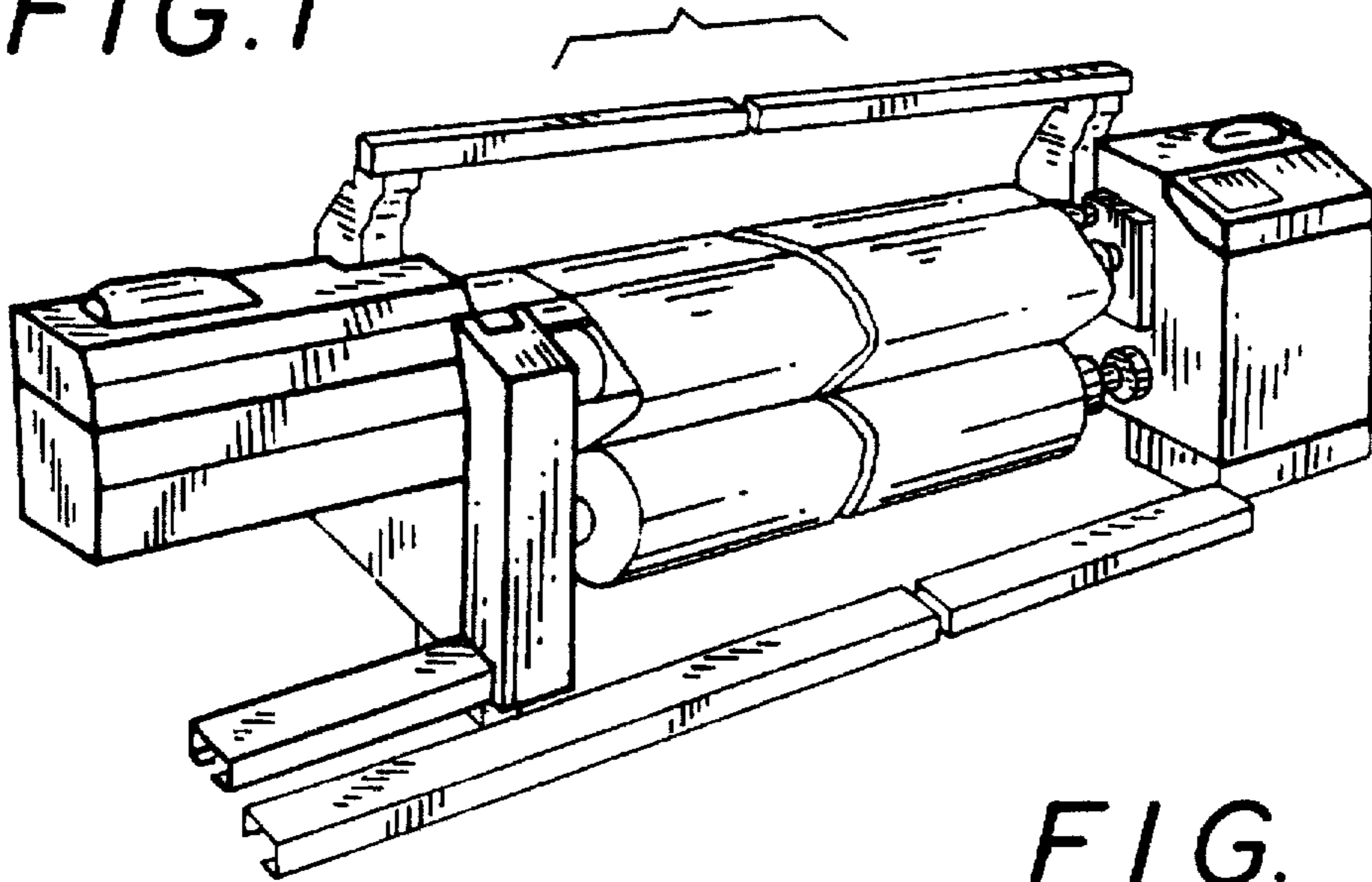


FIG. 2

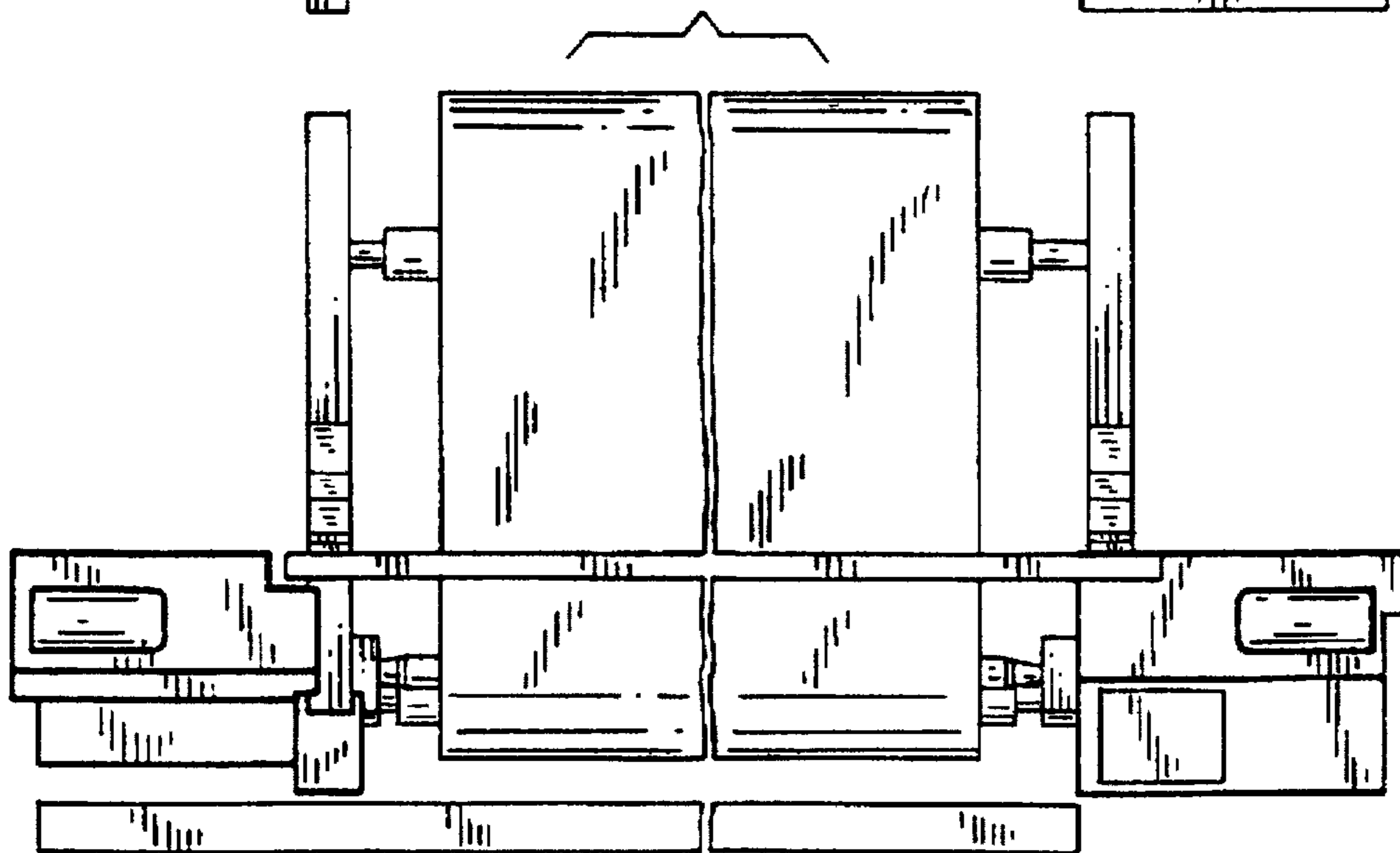
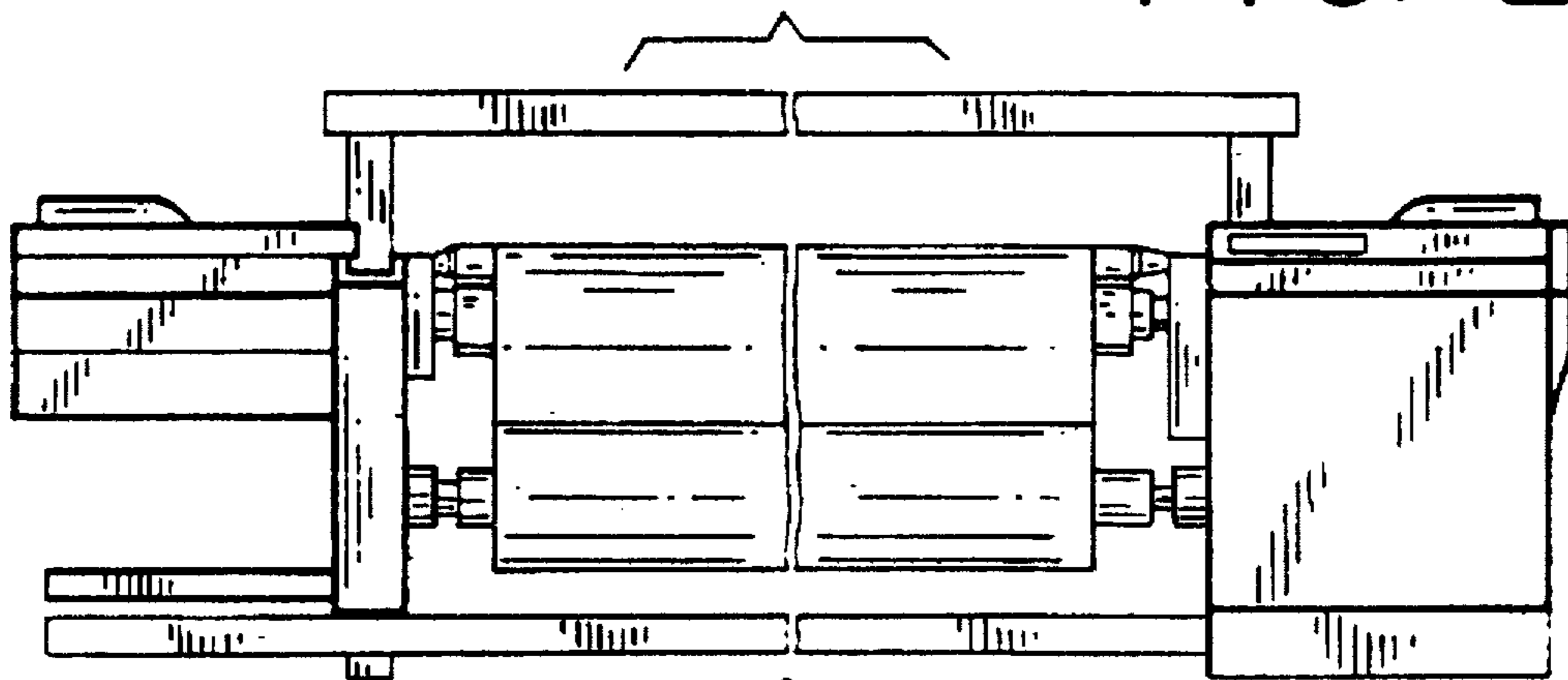


FIG. 3

FIG. 4

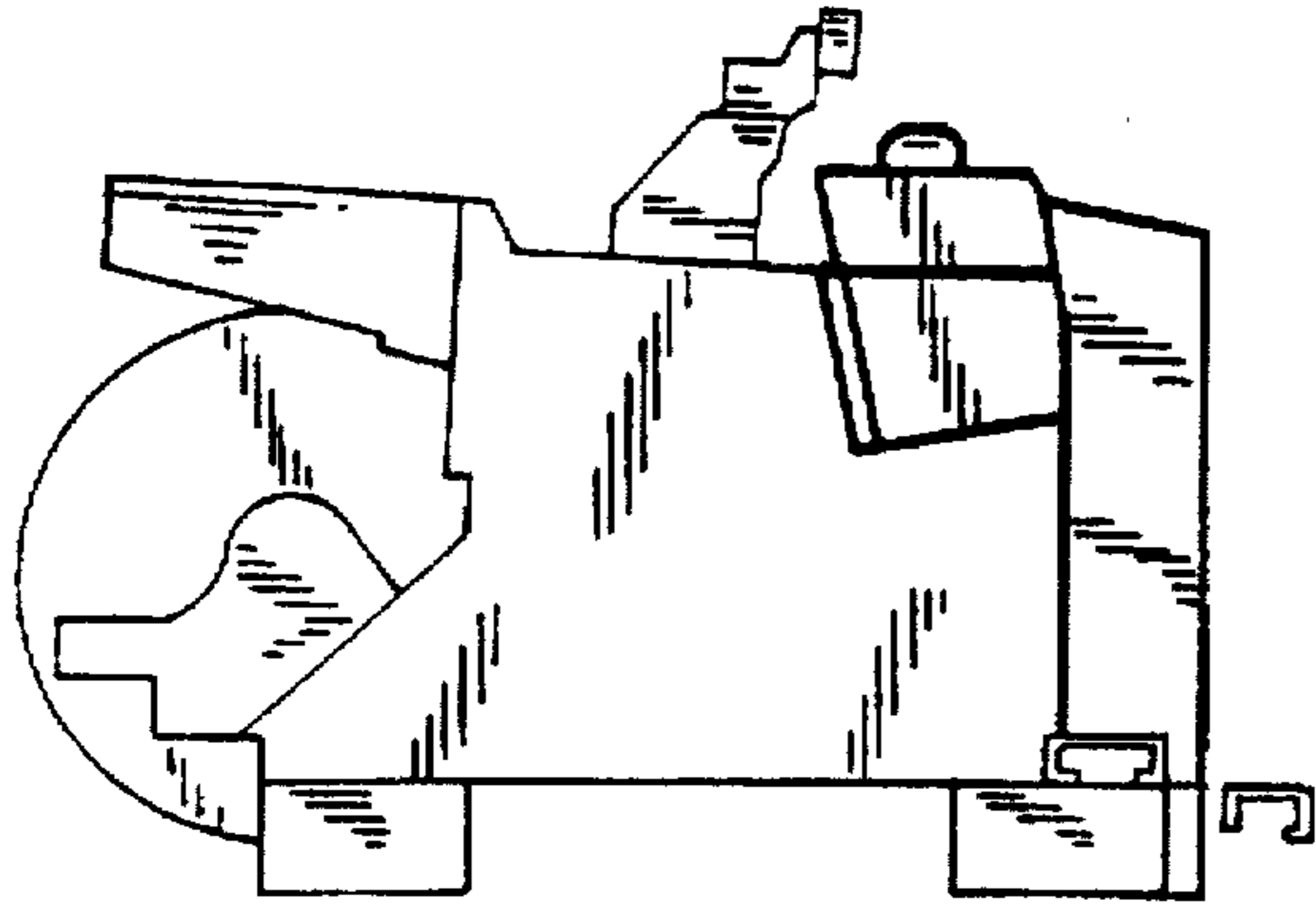


FIG. 5

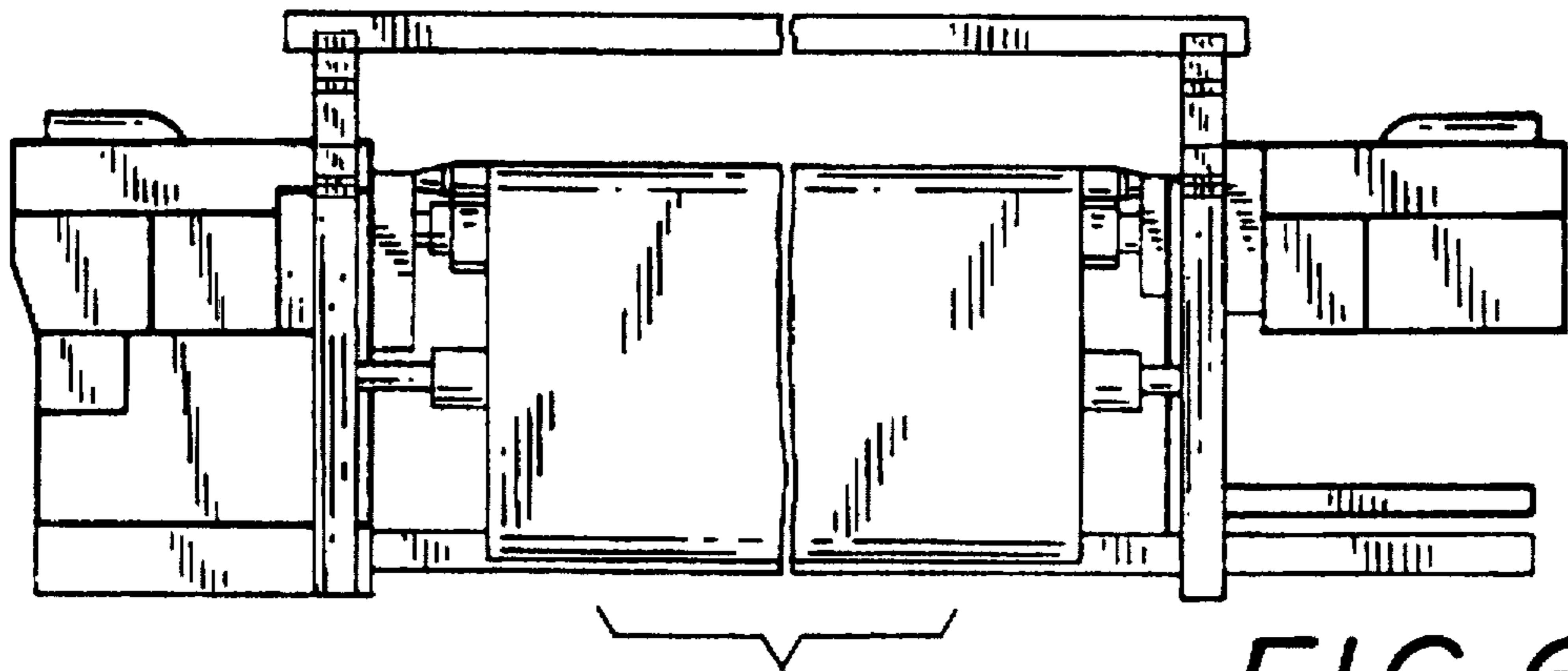
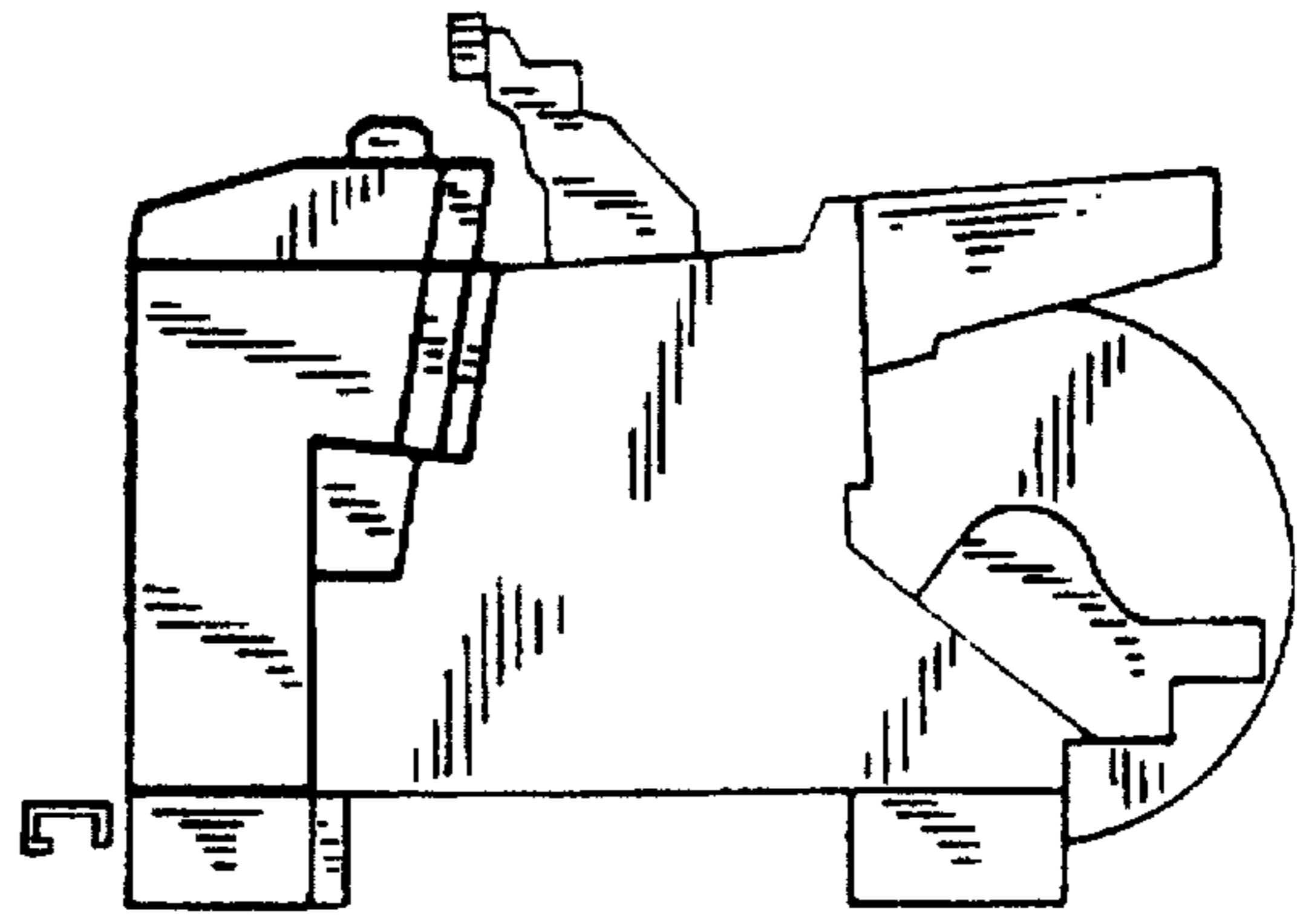


FIG. 6

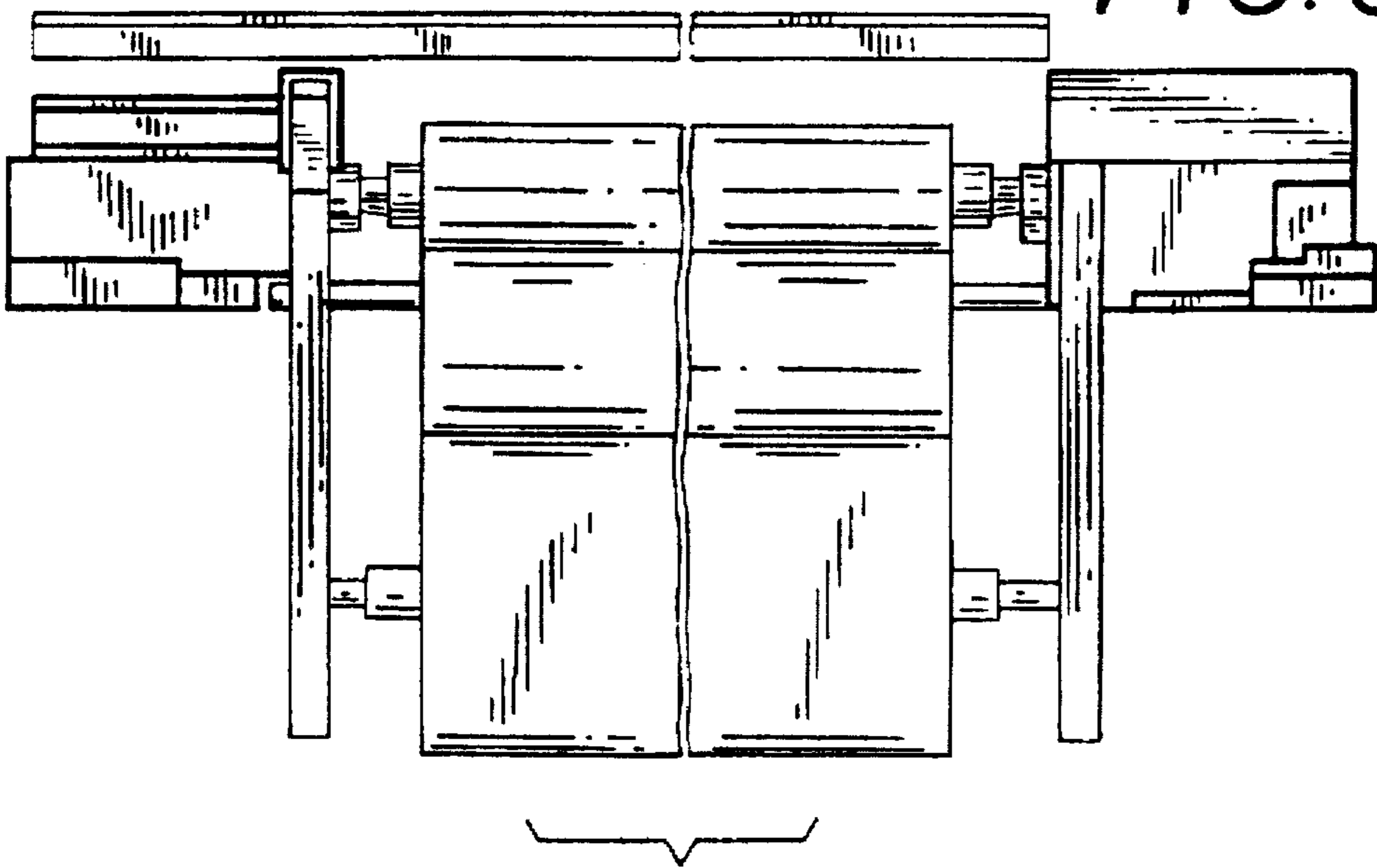


FIG. 7