



US00D386499S

United States Patent [19] Langer

[11] Patent Number: Des. 386,499
[45] Date of Patent: **Nov. 18, 1997

[54] **HYDROPHONE HOUSING**
[75] Inventor: Alexander G. Langer, Cudjoe Key, Fla.
[73] Assignee: Langer Electronics Corp., Cudjoe Key, Fla.
[**] Term: 14 Years
[21] Appl. No.: 44,776
[22] Filed: Sep. 26, 1995
[51] LOC (6) Cl. 14-01
[52] U.S. Cl. D14/228
[58] Field of Search D14/206, 223, D14/225-229, 299; D21/49; 114/20 R, 244, 274; 181/158, 242; 367/17, 122, 141, 181, 188; 381/91, 122, 168-169

4,673,363 6/1987 Hudson et al. 441/1
4,695,988 9/1987 Banno 367/154
4,733,378 3/1988 Pearce et al. 367/17
4,930,243 6/1990 Lowe et al. 43/17
4,954,110 9/1990 Warnan 441/22
4,974,213 11/1990 Siwecki 367/88
4,980,926 12/1990 Noetzel 455/617
4,992,999 2/1991 Yerby et al. 367/130
5,022,012 6/1991 Godfrey et al. 367/3
5,033,032 7/1991 Houghtaling 367/160
5,136,549 8/1992 Berglund 367/20
5,136,555 8/1992 Gardos 367/132
5,142,503 8/1992 Wilcox et al. 367/88
5,155,707 10/1992 Fisher 367/149
5,251,326 10/1993 Silverman 455/40
5,277,179 1/1994 Stone et al. 128/201.19
5,282,178 1/1994 Hill et al. 367/142
5,365,595 11/1994 Li 381/168
5,367,296 11/1994 Schell 340/984
5,381,382 1/1995 Marschall 367/20
5,477,506 12/1995 Allen 381/91 X

[56] **References Cited**

U.S. PATENT DOCUMENTS

D. 116,844 9/1939 Giannini D14/228
3,103,559 9/1963 Ward .
3,136,854 6/1964 Willick .
3,224,405 12/1965 Fergusson et al. .
3,711,821 1/1973 Dale et al. 340/2
3,789,353 1/1974 Hunter et al. 340/5 T
3,793,623 2/1974 Gongwer 340/8 S
3,855,571 12/1974 Massa 340/26
3,878,502 4/1975 Rochelle 340/5 R
3,885,338 5/1975 York 43/17.1
3,983,483 9/1976 Pando 325/16
3,990,035 11/1976 Byers 340/8 R
4,167,830 9/1979 Ogawa 46/17
4,173,195 11/1979 Gongwer 114/244
4,245,651 1/1981 Frost 128/721
4,272,835 6/1981 Flood et al. 367/4
4,283,781 8/1981 Albert, Jr. 114/224 X
4,324,135 4/1982 Peyton 73/187
4,494,938 1/1985 Flood et al. 441/33
4,539,560 9/1985 Fleck et al. 340/573

FOREIGN PATENT DOCUMENTS

222400 9/1990 Japan 361/168

Primary Examiner—Ted Shooman
Assistant Examiner—Nanda Bondade
Attorney, Agent, or Firm—Weingarten, Schurgin, Gagnebin & Hayes LLP

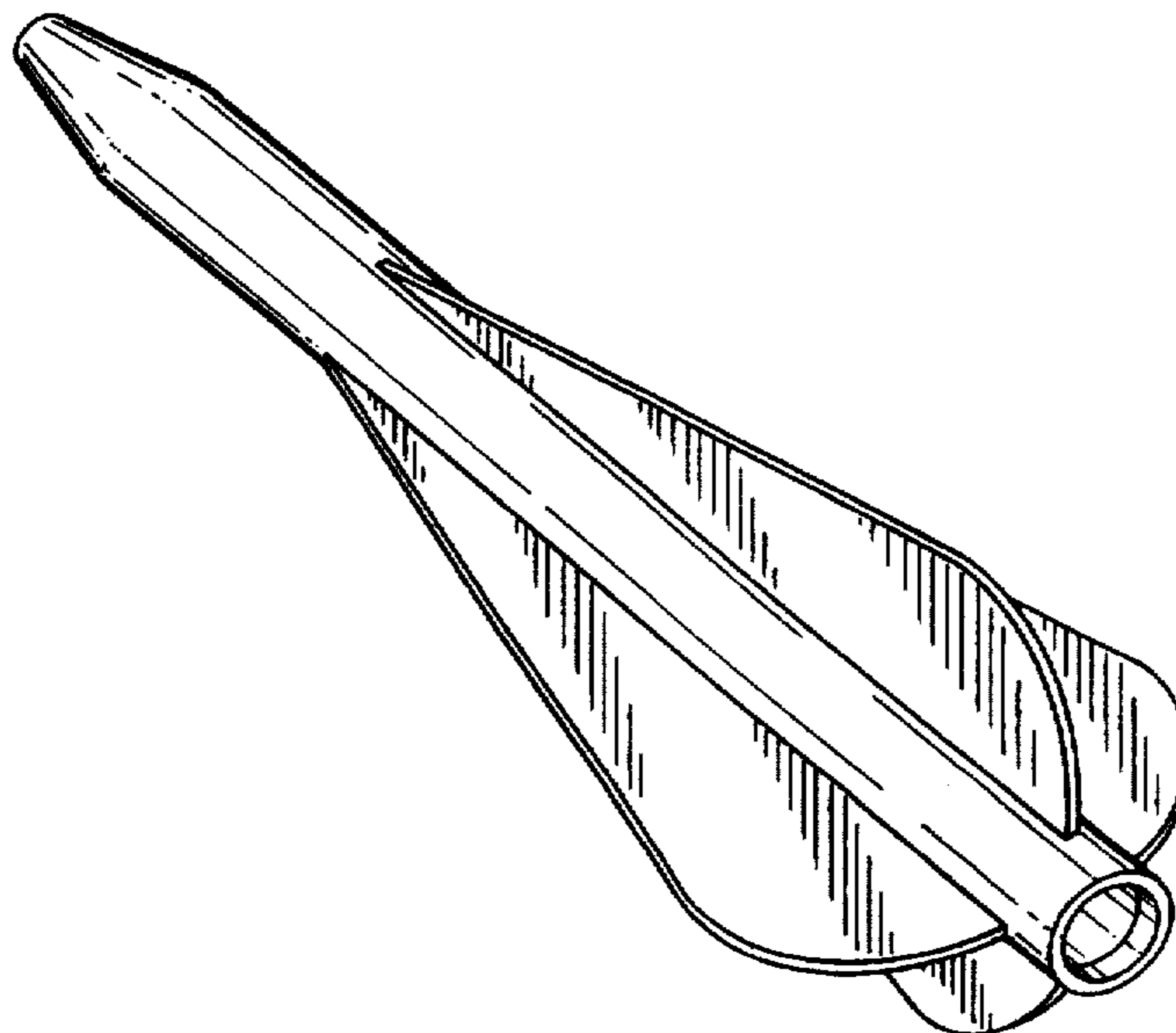
[57] **CLAIM**

The ornamental design for a hydrophone housing, as shown and described.

DESCRIPTION

FIG. 1 is a perspective view of a hydrophone housing showing my new design;
FIG. 2 is a side view thereof, the undisclosed sides being a mirror image;
FIG. 3 is a front view thereof; and,
FIG. 4 is a rear view thereof.

1 Claim, 2 Drawing Sheets



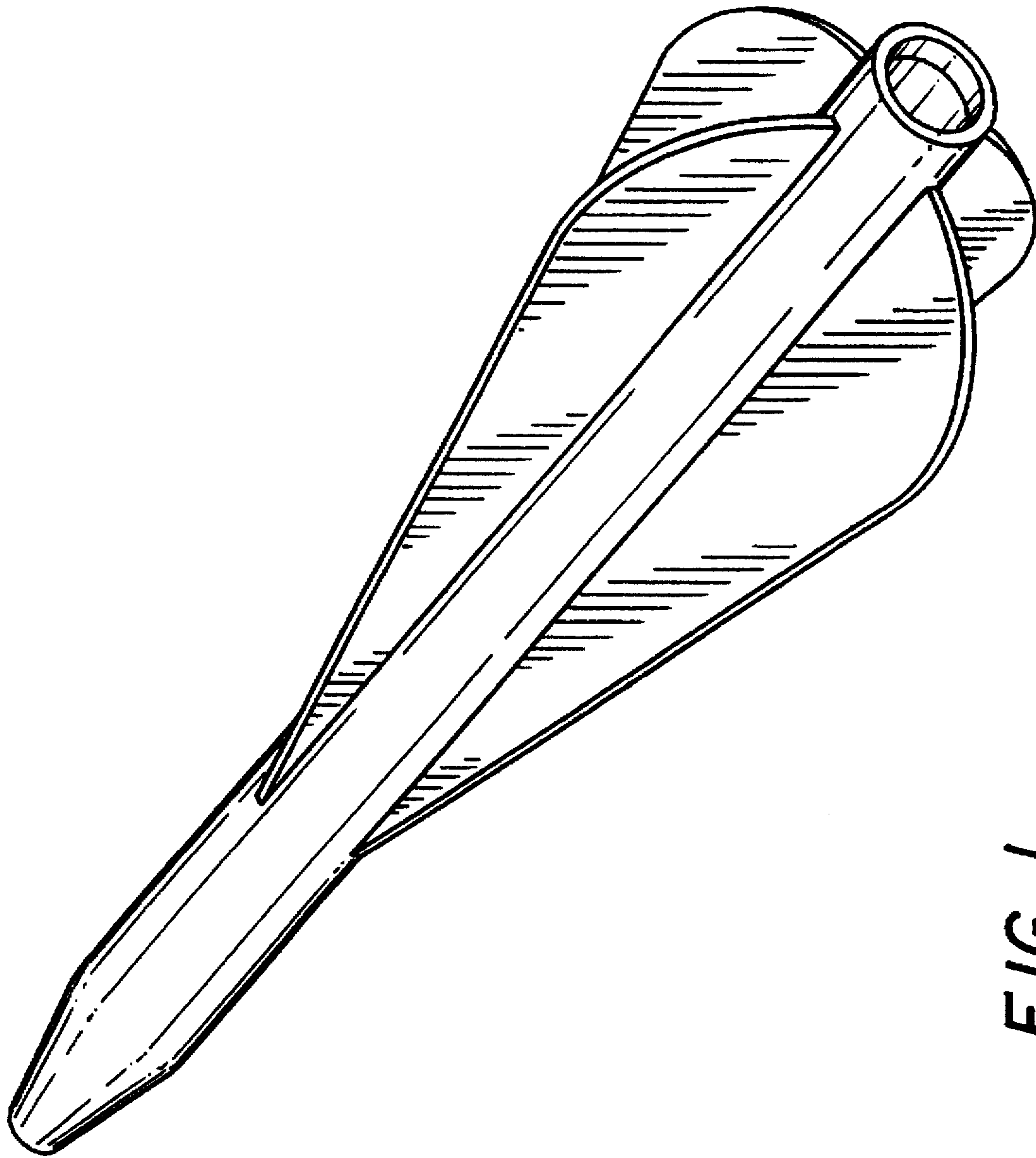


FIG. 1

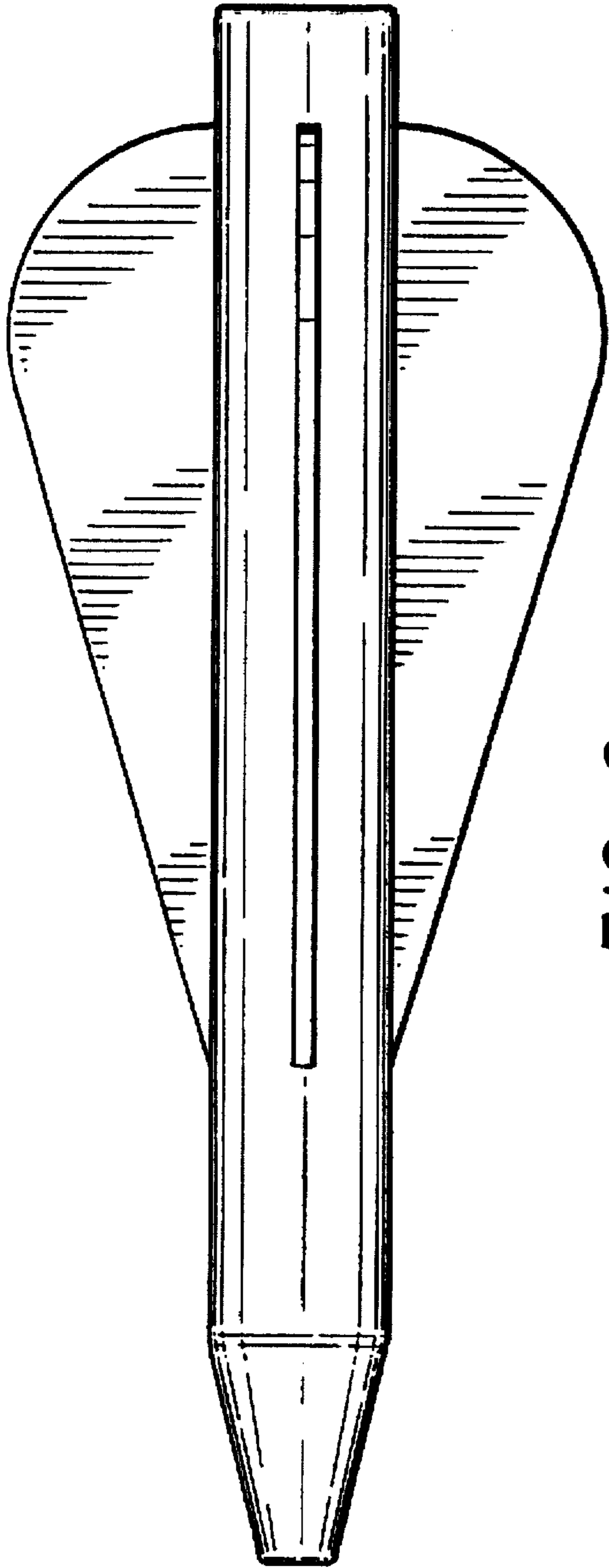


FIG. 2

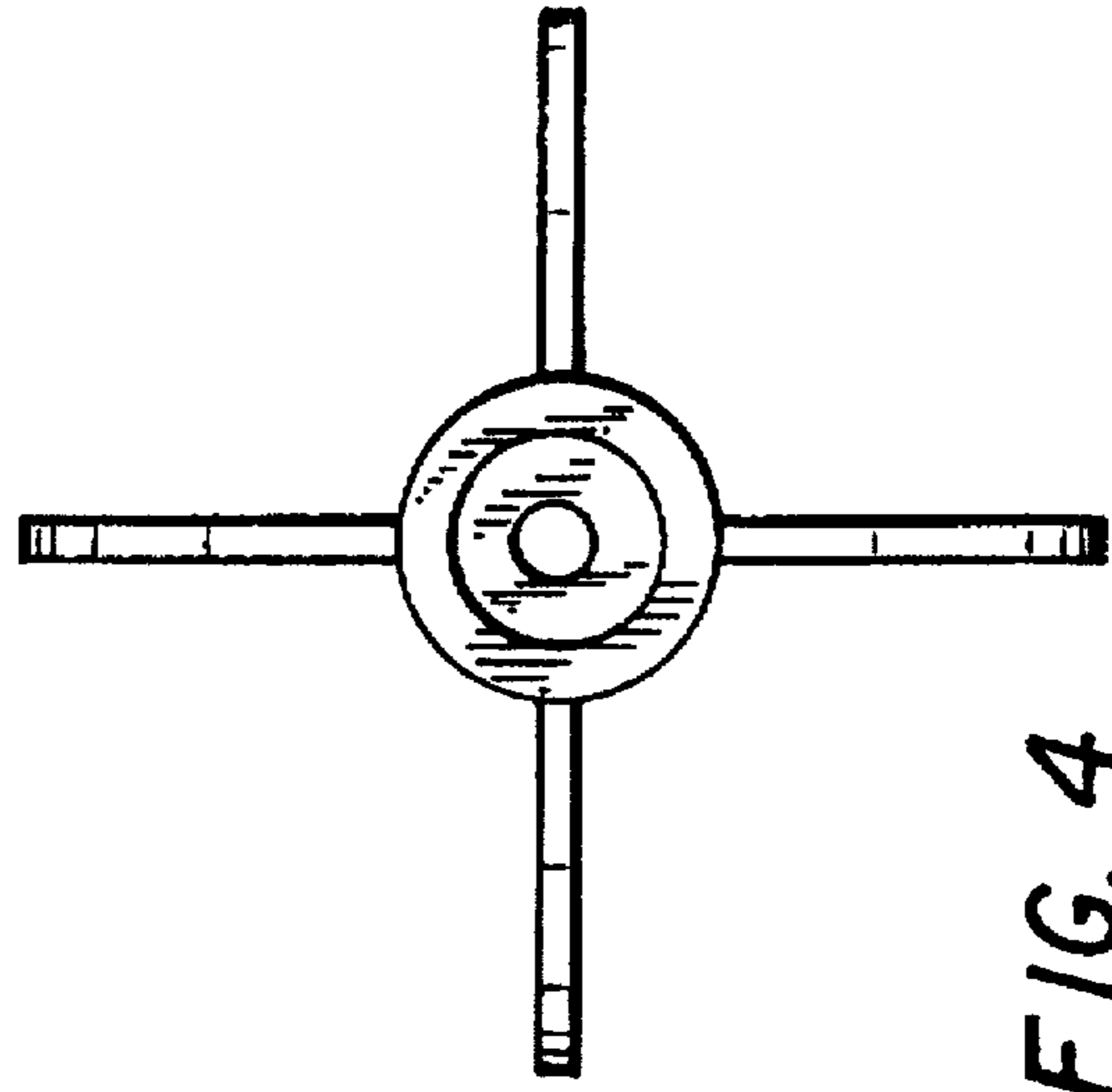


FIG. 4

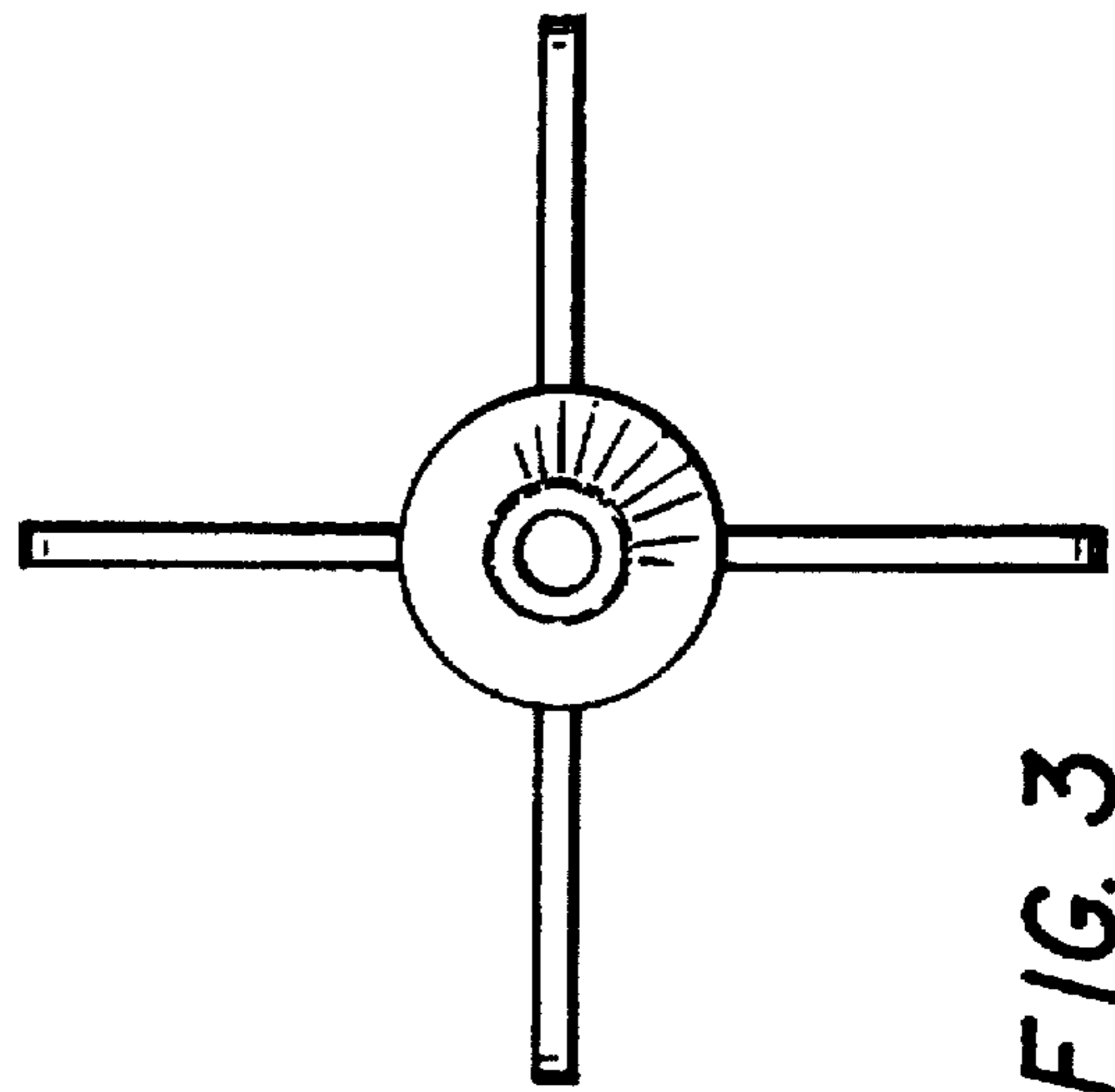


FIG. 3