



US00D386495S

**United States Patent** [19]  
**Schmoll**

[11] **Patent Number: Des. 386,495**  
[45] **Date of Patent: \*\*Nov. 18, 1997**

[54] **CORDLESS TELEPHONE REMOTE PACK AND BASE UNIT**

[75] **Inventor: Giscla Schmoll, San Francisco, Calif.**

[73] **Assignee: Hello Direct, Inc., San Jose, Calif.**

[\*\*] **Term: 14 Years**

[21] **Appl. No.: 55,883**

[22] **Filed: Jun. 14, 1996**

[51] **LOC (6) Cl. .... 14-03**

[52] **U.S. Cl. .... D14/149; D14/142**

[58] **Field of Search .... D14/140, 142, D14/149-151, 147, 148, 240, 251, 253, 218; D13/107, 108; 379/419, 420, 428, 440, 434-436, 58-61, 454, 455, 433; 455/89, 90; D3/218**

[56] **References Cited**

**U.S. PATENT DOCUMENTS**

D. 319,061	8/1991	Powell et al. ....	D14/240
D. 320,991	10/1991	Nagai et al. ....	D14/251
D. 323,504	1/1992	Langton ....	D14/253 X
D. 344,708	3/1994	Ho ....	D13/108
D. 353,371	12/1994	Delahaes ....	D14/149
5,052,943	10/1991	Davis ....	D13/108 X
5,189,698	2/1993	Hakanen ....	379/455
5,230,016	7/1993	Yasuda ....	455/90 X

**OTHER PUBLICATIONS**

Nokia-Mobira Advertisement, 500 Series Compact AC/DC-Charger Base.

Fujitsu Advertisement, Model F80P-170 in FIG. 1.

*Primary Examiner*—Jeffrey Asch  
*Attorney, Agent, or Firm*—Haverstock & Associates

[57] **CLAIM**

The ornamental design for a cordless telephone remote pack and base unit, as shown and described.

**DESCRIPTION**

FIG. 1 illustrates a perspective view of my new design of the cordless telephone remote pack and base unit;

FIG. 2 illustrates a perspective view of the base unit of the cordless telephone remote pack and base unit;

FIG. 3 illustrates a front view of the base unit of the cordless telephone remote pack and base unit;

FIG. 4 illustrates a right side view of the base unit of the cordless telephone remote pack and base unit;

FIG. 5 illustrates a back view of the base unit of the cordless telephone remote pack and base unit;

FIG. 6 illustrates a left side view of the base unit of the cordless telephone remote pack and base unit;

FIG. 7 illustrates a top view of the base unit of the cordless telephone remote pack and base unit;

FIG. 8 illustrates a bottom view of the base unit of the cordless telephone remote pack and base unit;

FIG. 9 illustrates a perspective view of the remote pack of the cordless telephone remote pack and base unit;

FIG. 10 illustrates a front view of the remote pack of the cordless telephone remote pack and base unit;

FIG. 11 illustrates a right side view of the remote pack of the cordless telephone remote pack and base unit;

FIG. 12 illustrates a left side view of the remote pack of the cordless telephone remote pack and base unit;

FIG. 13 illustrates a back view of the remote pack of the cordless telephone remote pack and base unit;

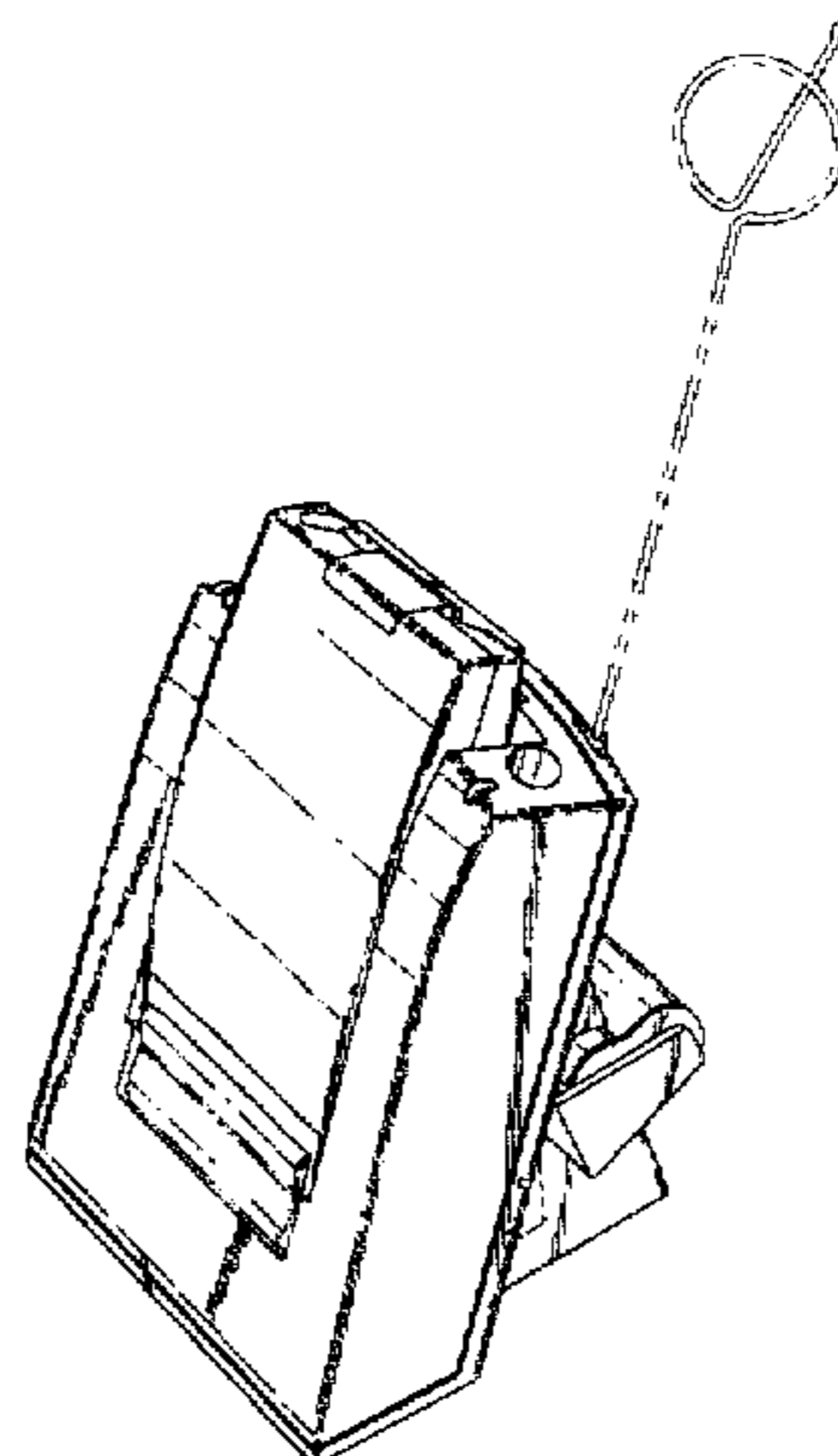
FIG. 14 illustrates a top view of the remote pack of the cordless telephone remote pack and base unit; and,

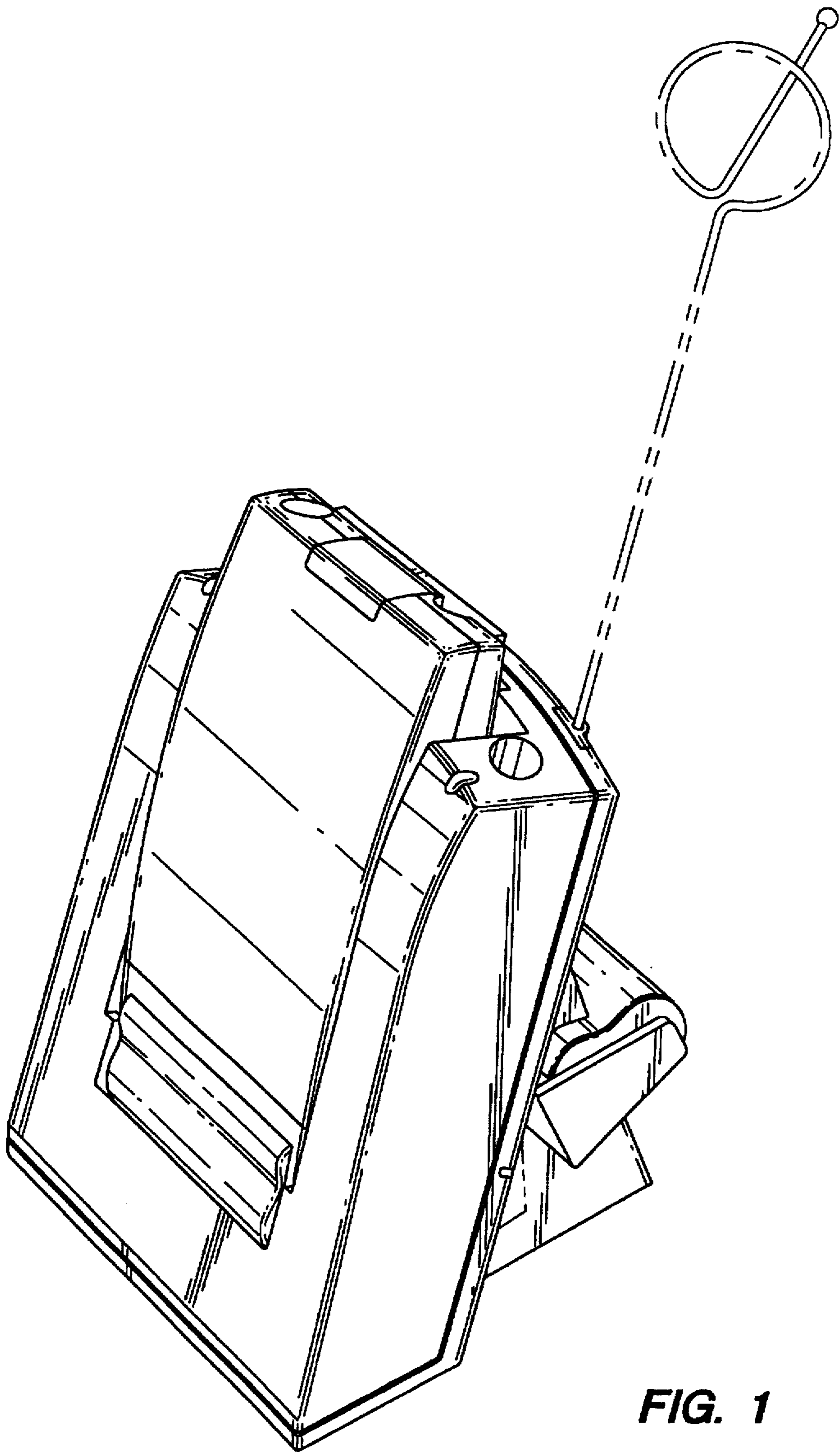
FIG. 15 illustrates a bottom view of the remote pack of the cordless telephone remote pack and base unit.

The remote pack and the base unit have been shown separately in FIGS. 2-14 for convenience of illustration.

The broken line showings of FIGS. 1, 2, 4, and 5 are for illustrative purposes only and form no part of the claimed design.

**1 Claim, 12 Drawing Sheets**





**FIG. 1**

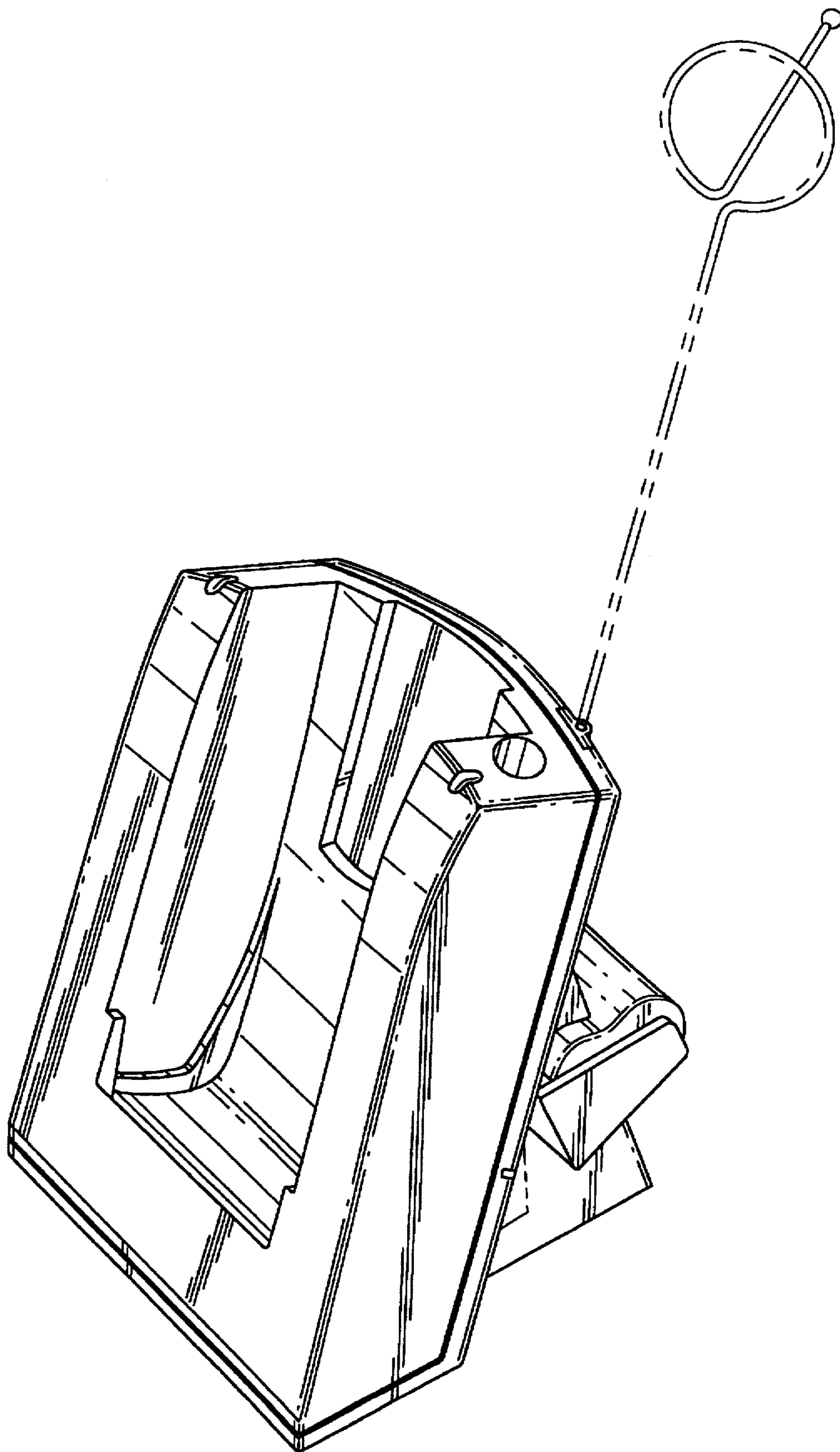
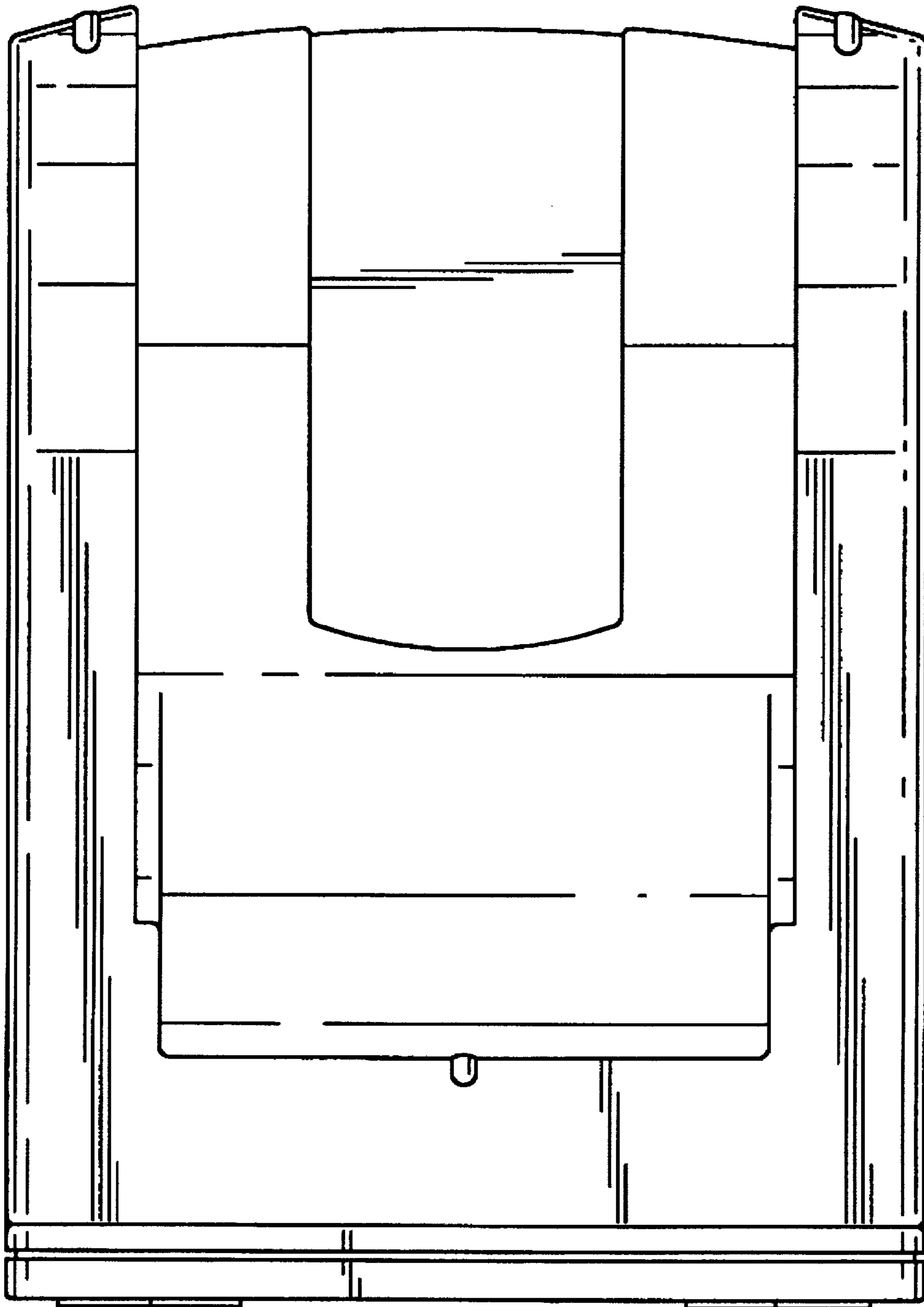
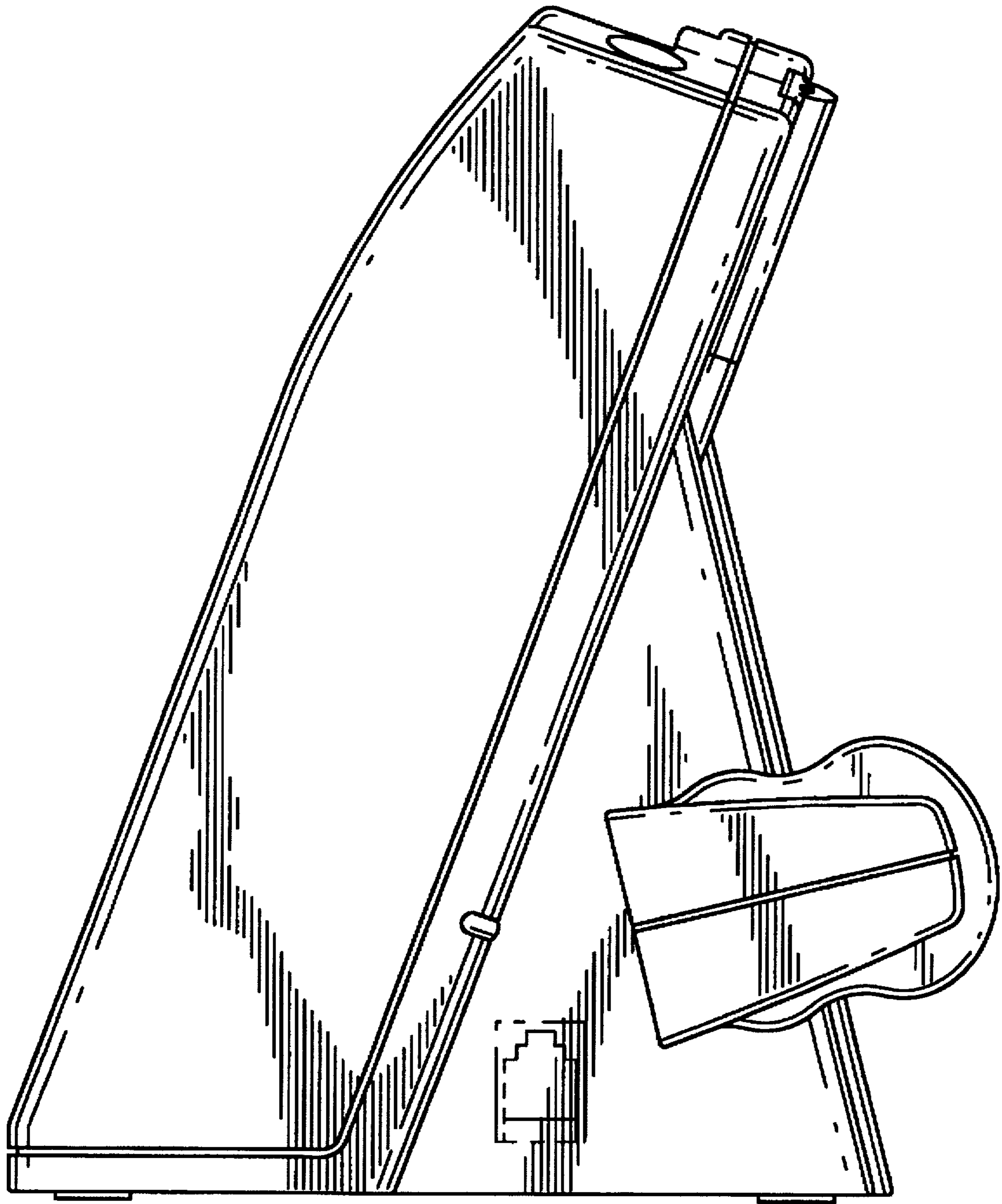


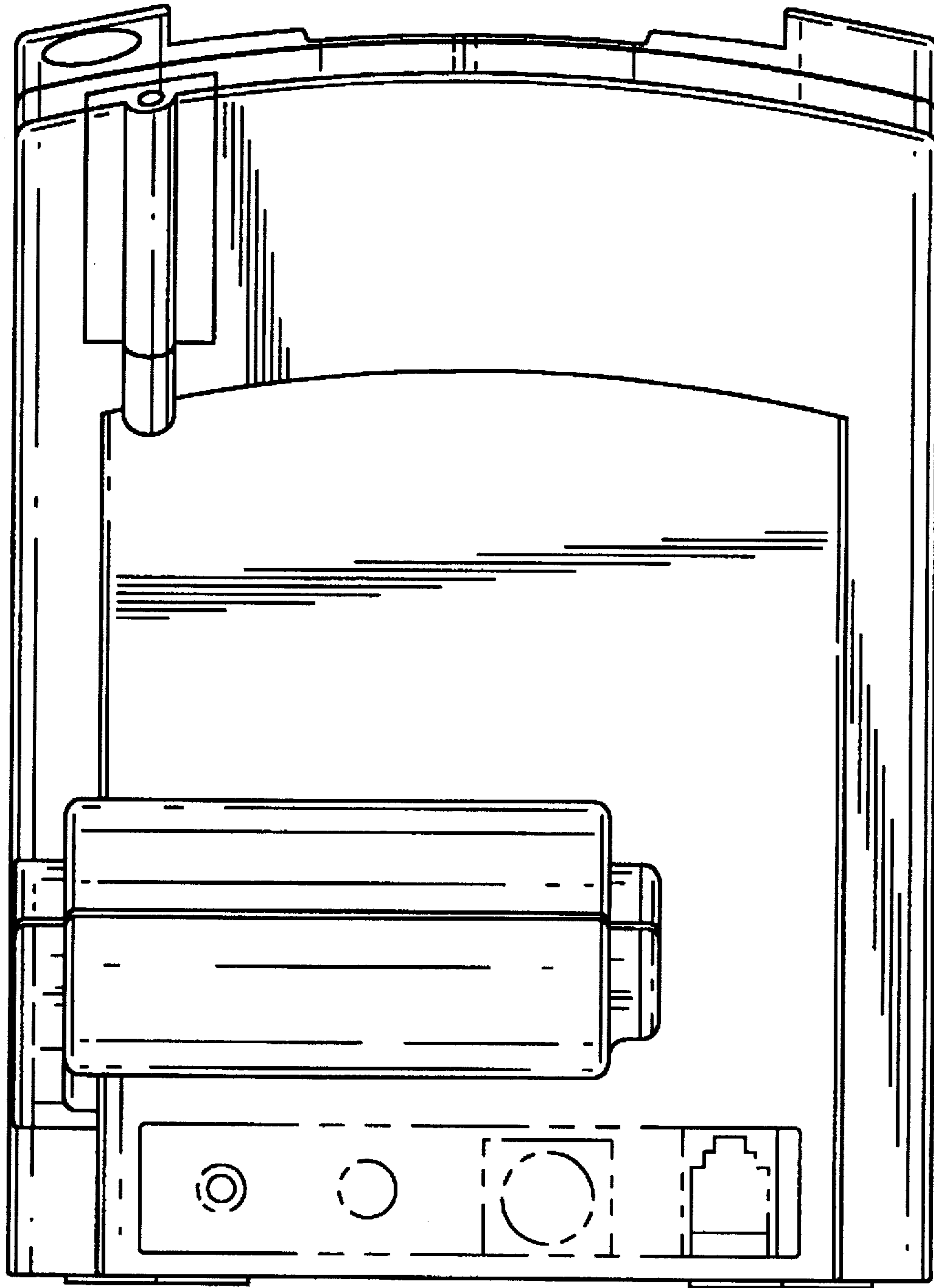
FIG. 2



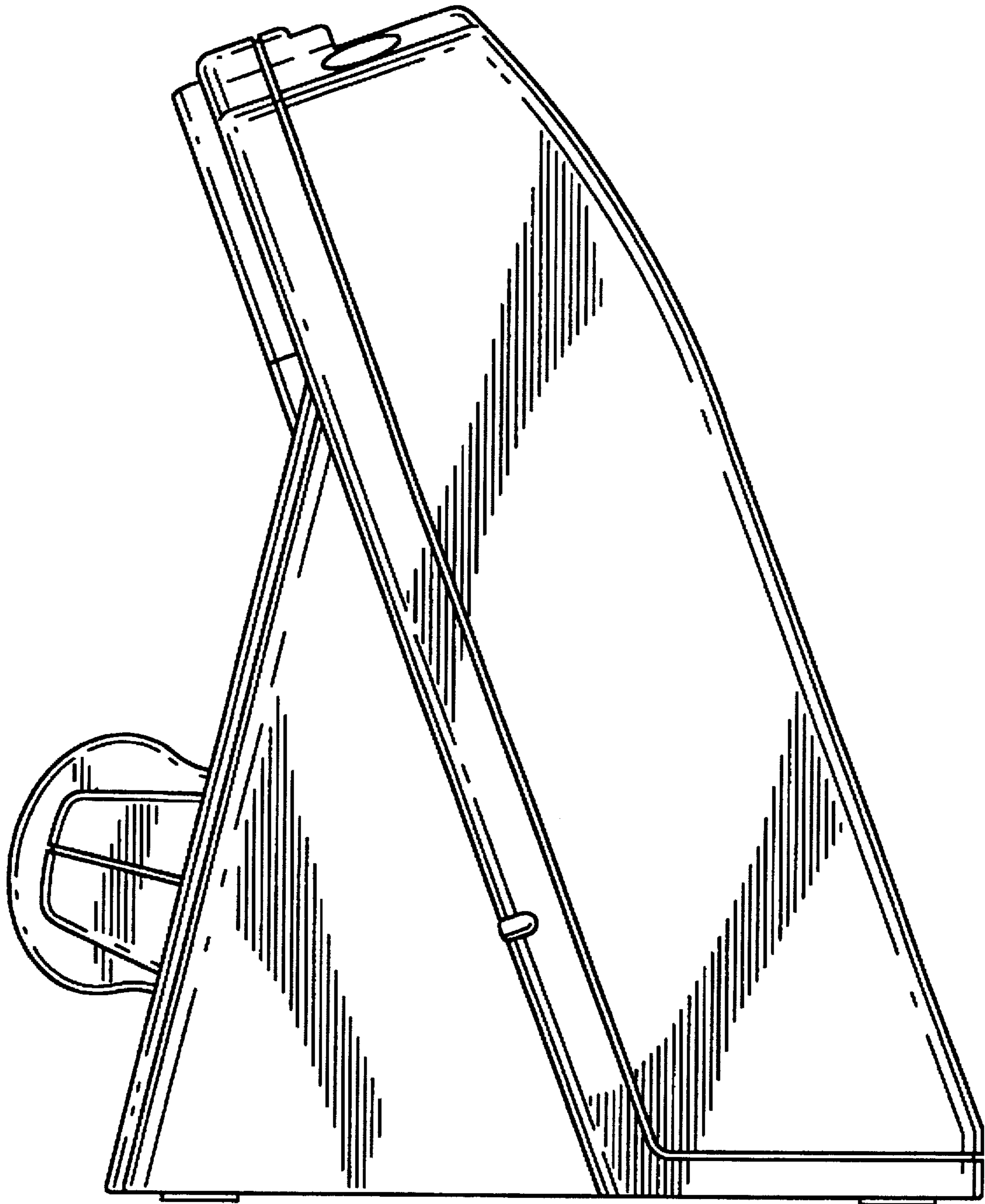
**FIG. 3**



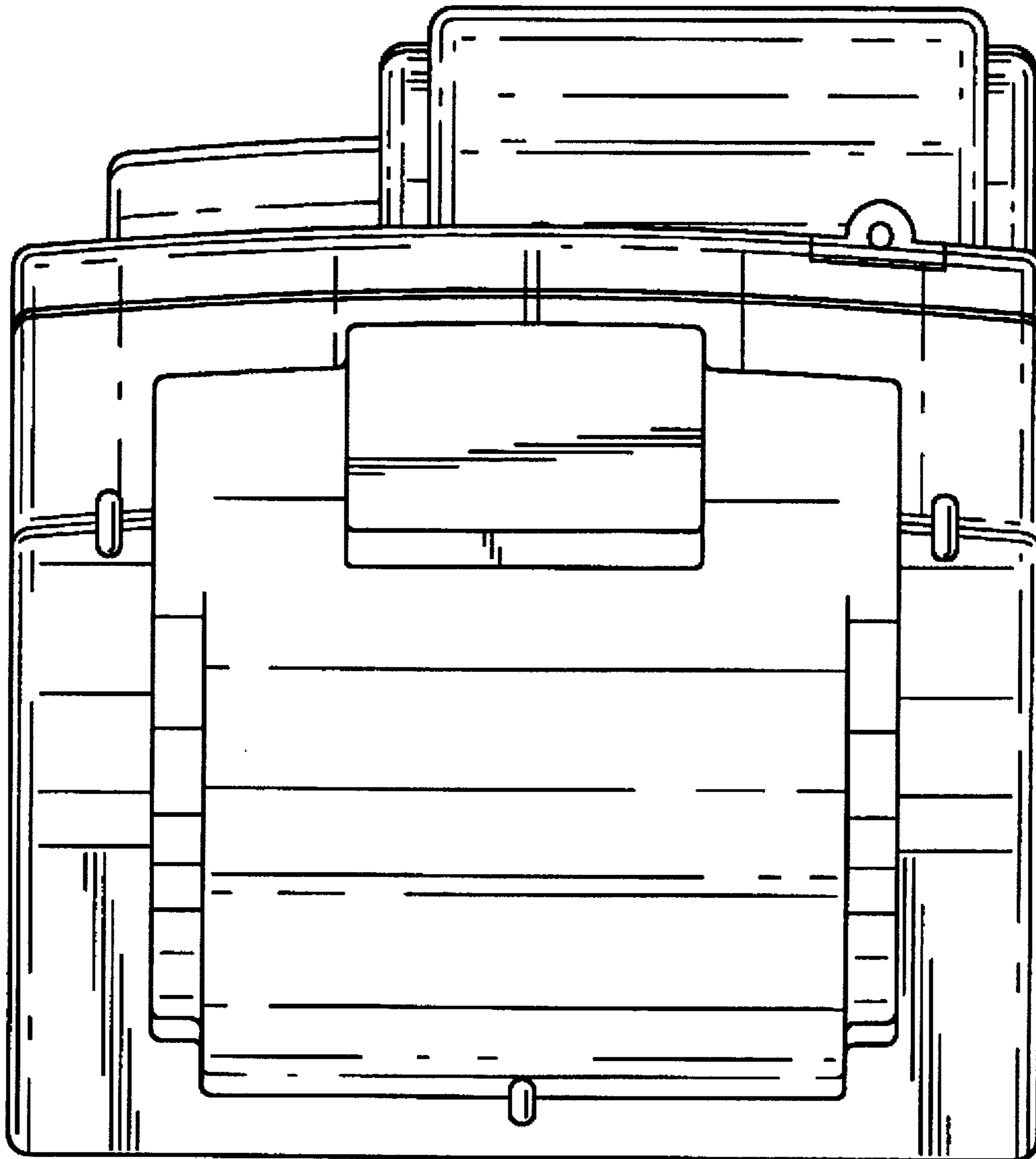
**FIG. 4**



**FIG. 5**

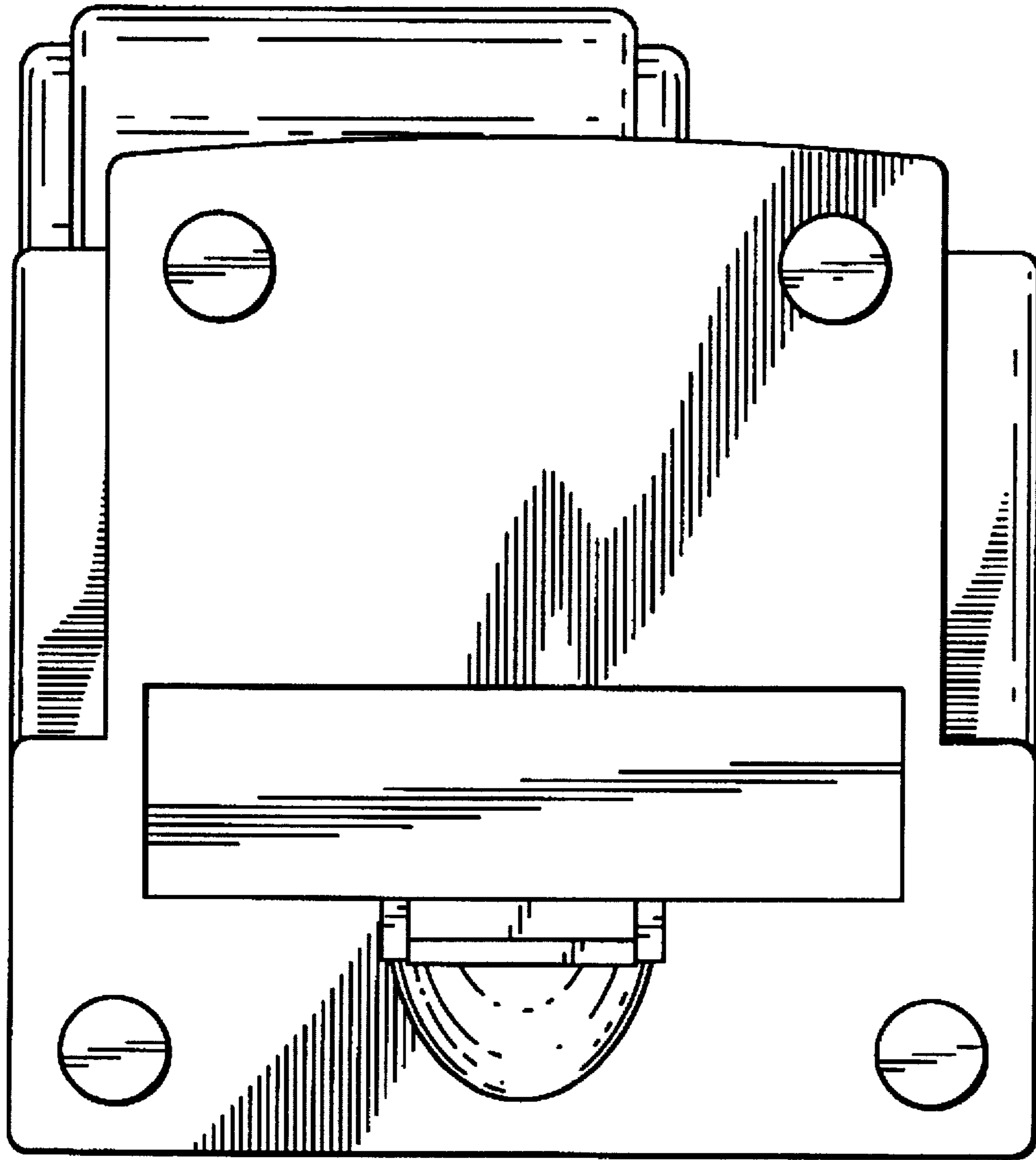


**FIG. 6**

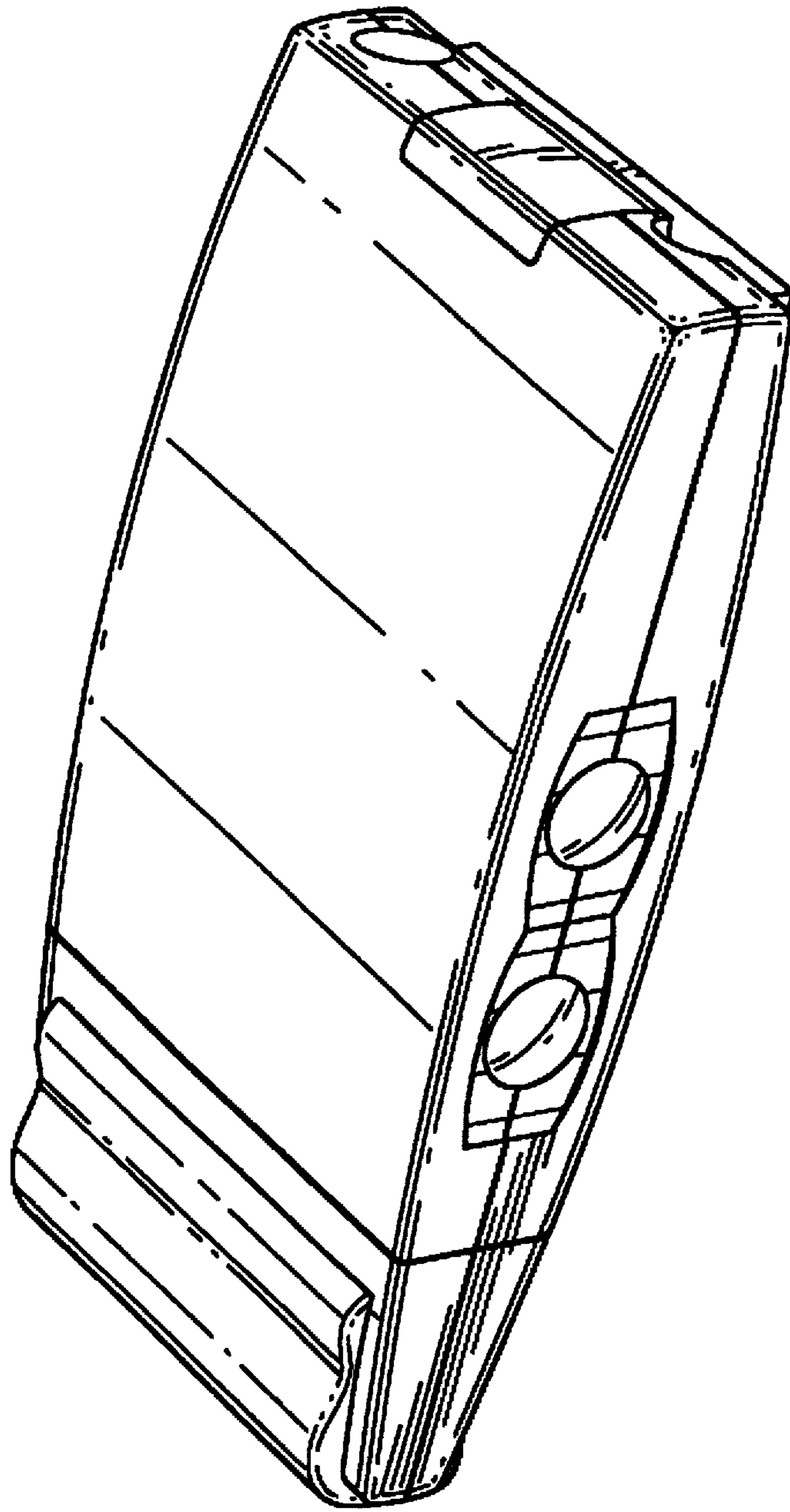


**FIG. 7**

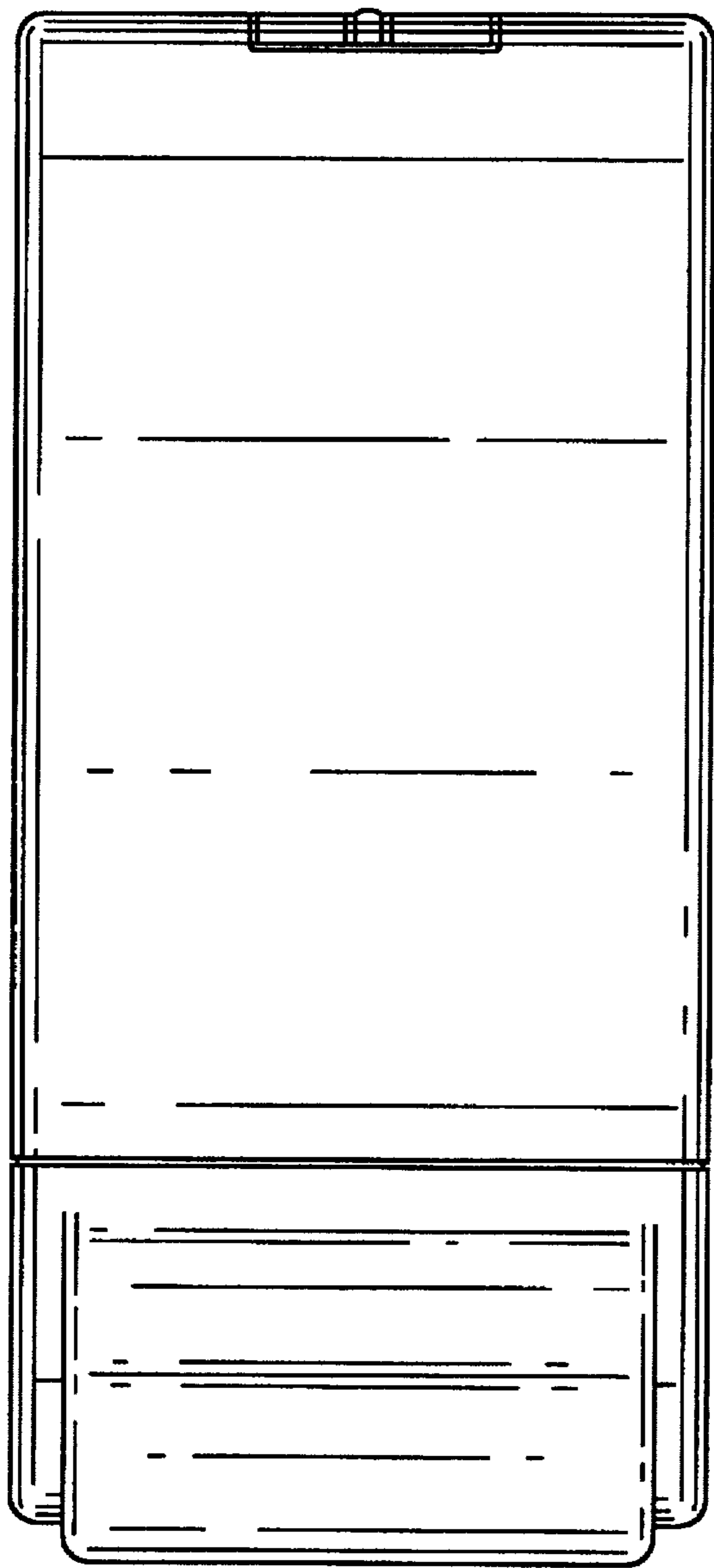




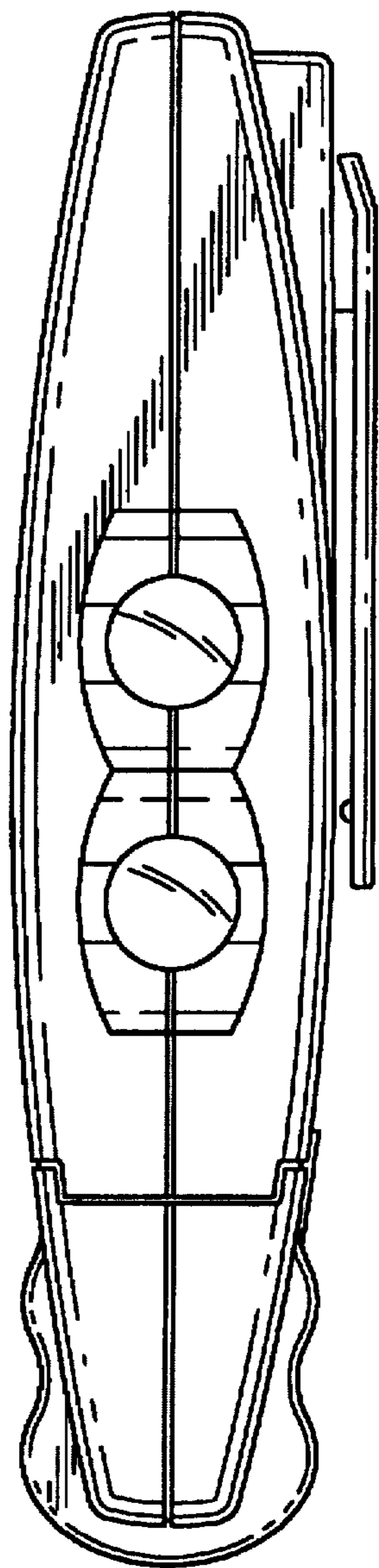
**FIG. 8**



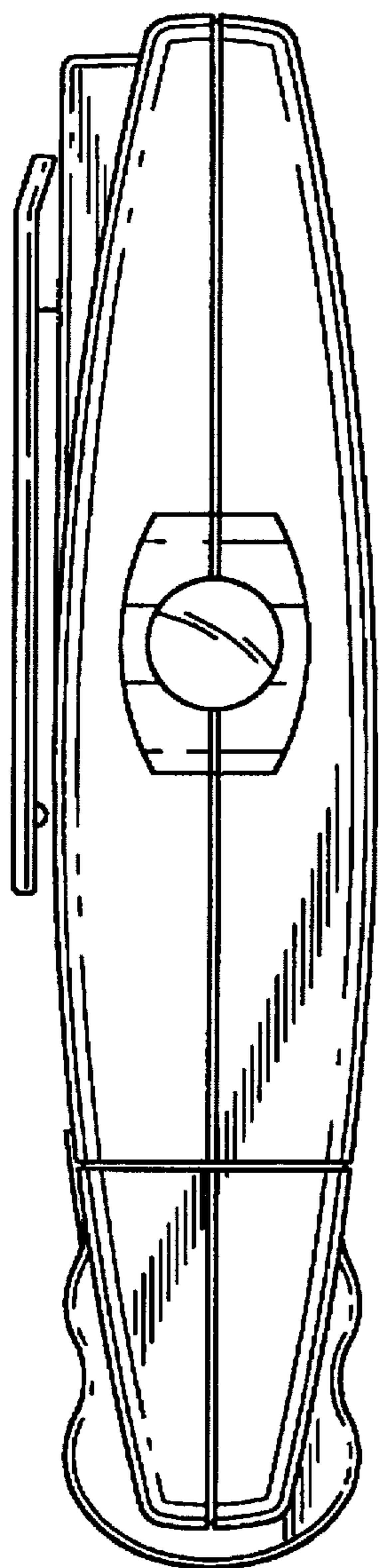
**FIG. 9**



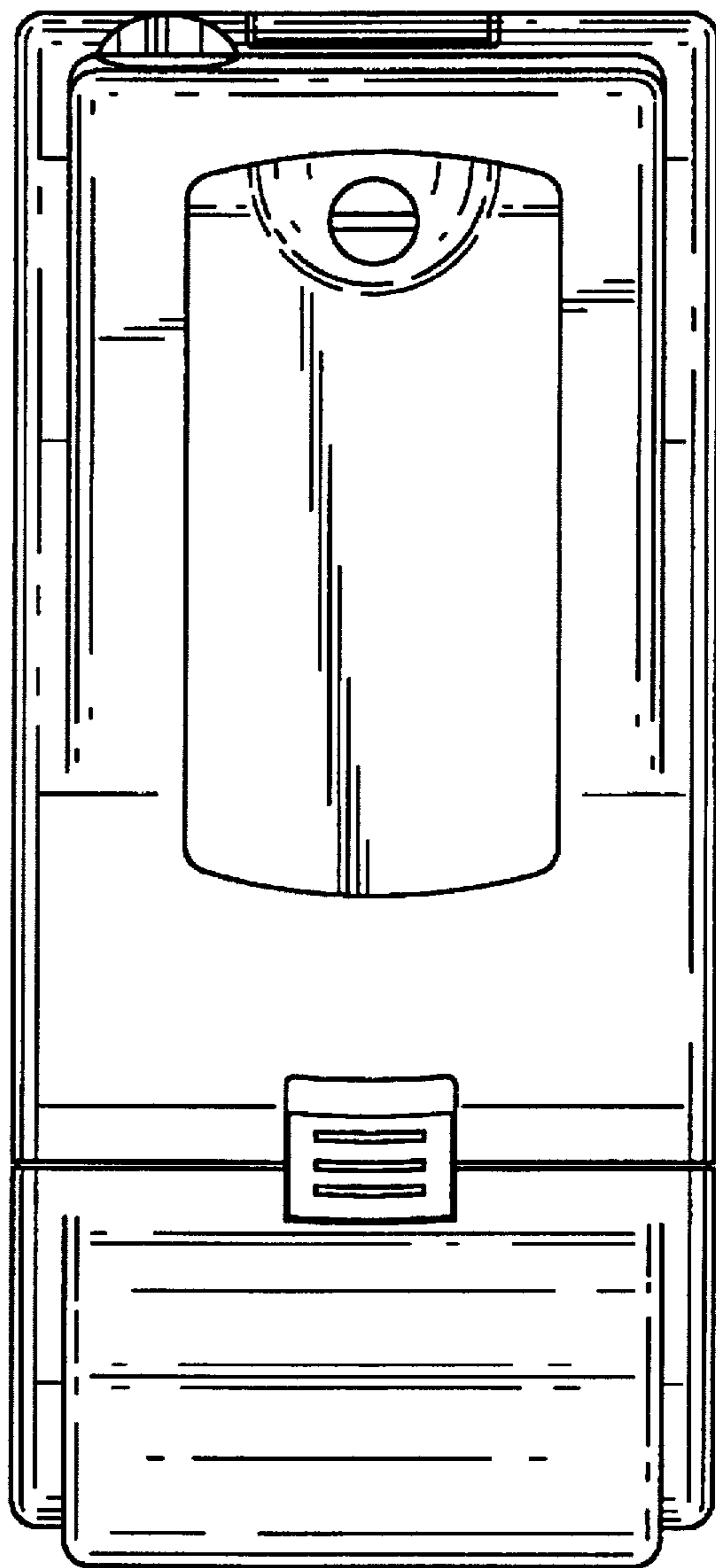
**FIG. 10**



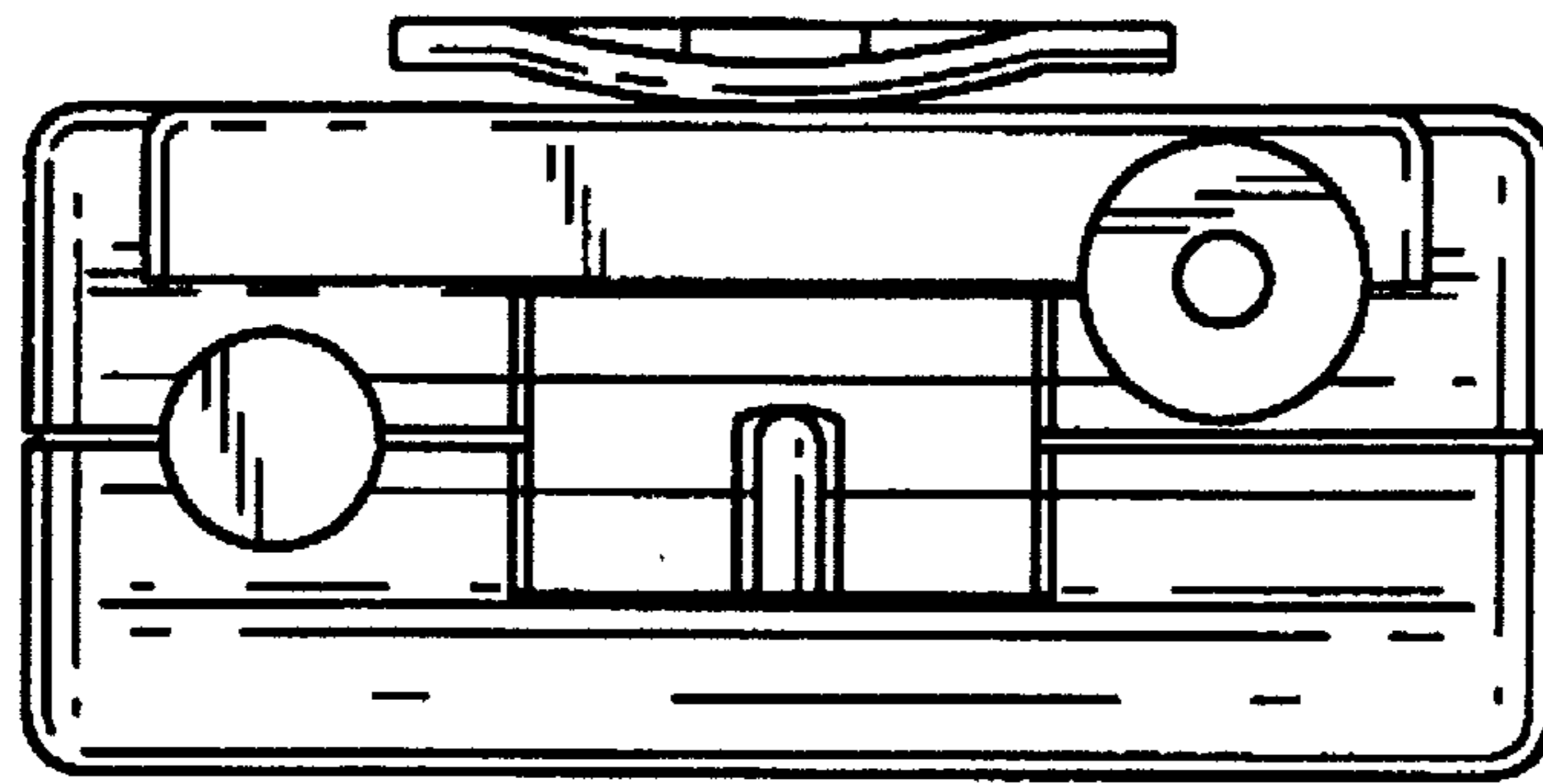
**FIG. 11**



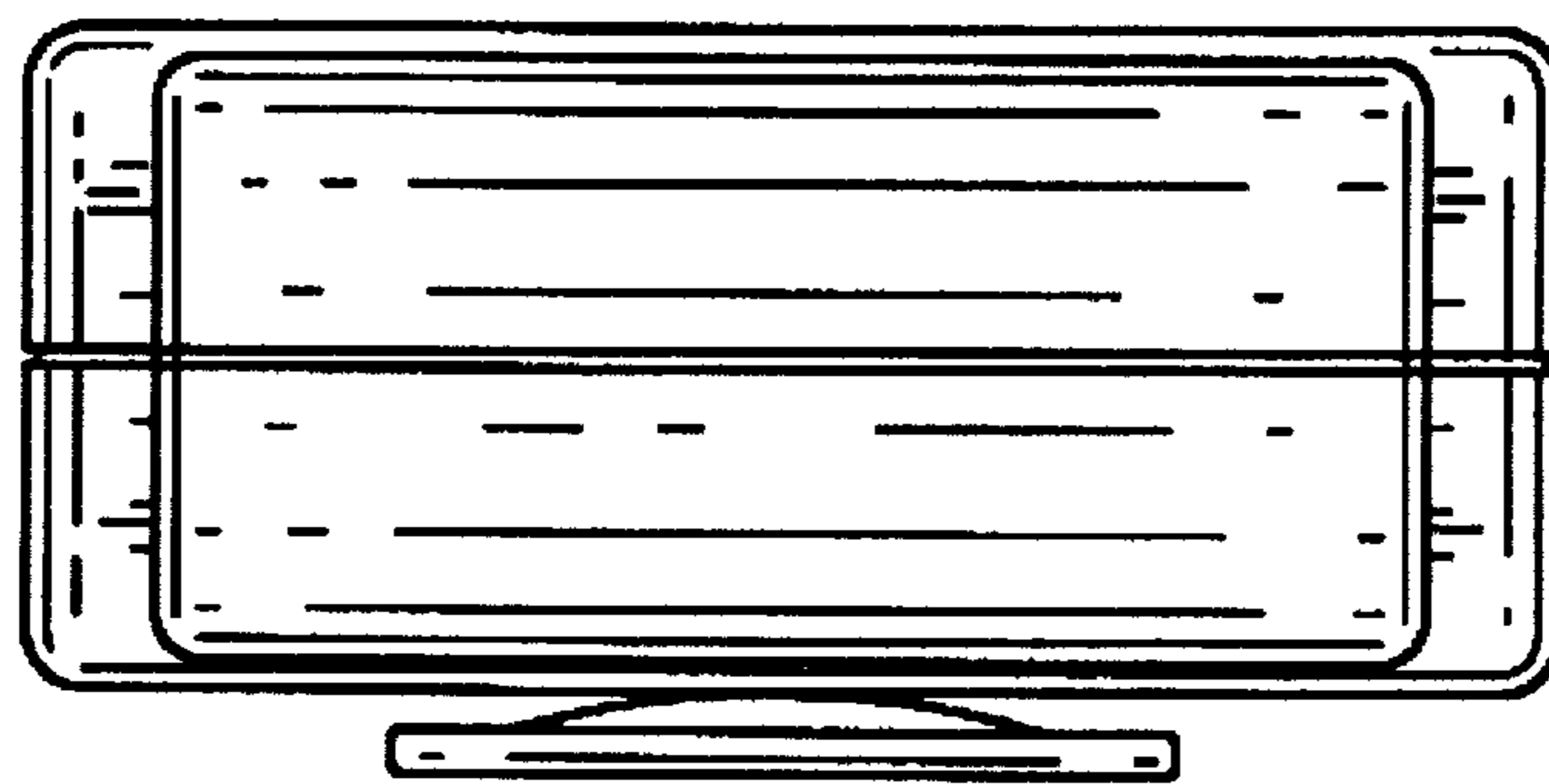
**FIG. 12**



**FIG. 13**



**FIG. 14**



**FIG. 15**

UNITED STATES PATENT AND TRADEMARK OFFICE  
**CERTIFICATE OF CORRECTION**

PATENT NO. : Des. 386,495

DATED : November 18, 1997

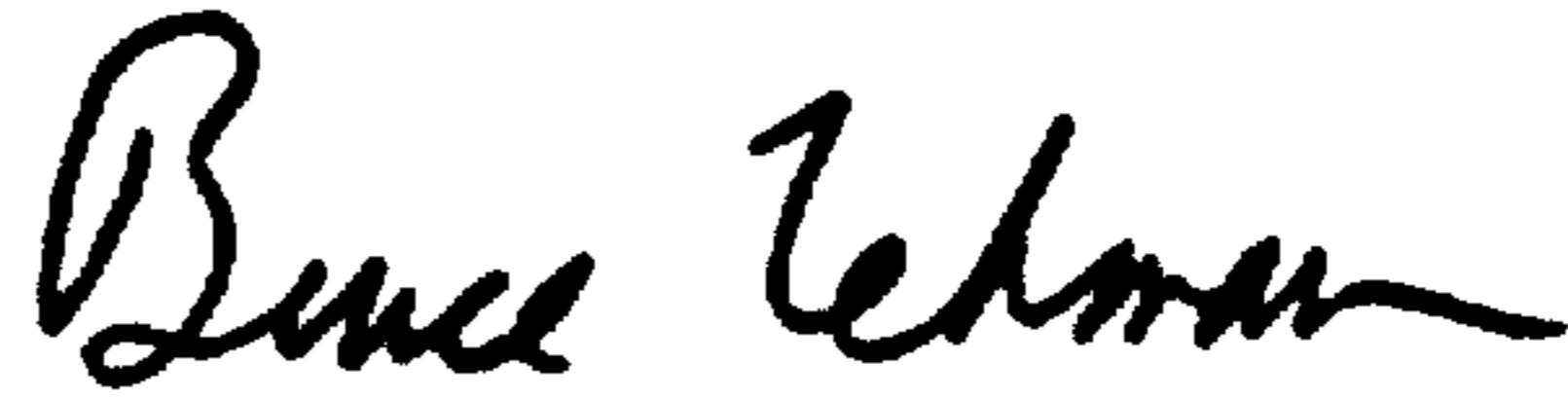
INVENTOR(S) : Gisela Schmoll

It is certified that error appears in the above-identified patent and that said Letters Patent is hereby corrected as shown below:

On the title page, item [75], replace "Giscla" with --Gisela--.

Signed and Sealed this

Twentieth Day of January, 1998



**BRUCE LEHMAN**

*Commissioner of Patents and Trademarks*

*Attest:*

*Attesting Officer*