



US00D386481S

**United States Patent** [19]  
**Iino**

[11] **Patent Number: Des. 386,481**  
[45] **Date of Patent: \*\*Nov. 18, 1997**

[54] **OPERATION AND STORING CONTROL UNIT OF ELECTRONIC COMPUTERS**

[75] **Inventor: Masaaki Iino, Saitama-ken, Japan**

[73] **Assignee: Kabushiki Kaisha Toshiba, Kanagawa-Ken, Japan**

[\*\*] **Term: 14 Years**

[21] **Appl. No.: 57,037**

[22] **Filed: Jul. 15, 1996**

[30] **Foreign Application Priority Data**

Mar. 14, 1996 [JP] Japan ..... 8-6788

[51] **LOC (6) Cl. .... 14-02**

[52] **U.S. Cl. .... D14/107; D14/135; D14/136**

[58] **Field of Search .... D14/100, 107, D14/108, 109, 135, 136; D13/162, 184, 199; D6/432, 436, 445, 448; 312/208.1; 360/97.01, 97.04, 98.01, 99.01, 99.12; 361/690-695**

[56] **References Cited**

**U.S. PATENT DOCUMENTS**

- D. 347,212 5/1994 Riley ..... D14/100
- D. 354,523 1/1995 Hiraoka et al. .... D14/107 X
- D. 357,001 4/1995 Merino ..... D14/100

**FOREIGN PATENT DOCUMENTS**

- 897041 4/1994 Japan .
- 897041-1 5/1994 Japan .
- 902132 6/1994 Japan .
- 902132-1 7/1994 Japan .
- 902132-2 5/1995 Japan .

*Primary Examiner*—Freda Nunn  
*Attorney, Agent, or Firm*—Banner & Witcoff, Ltd.

[57] **CLAIM**

The ornamental design for an operation and storing control unit of electronic computers, as shown and described.

**DESCRIPTION**

FIG. 1 is a top, front and right side perspective view of an operation and storing control unit of electronic computers showing my new design;

FIG. 2 is a front elevational view thereof;

FIG. 3 is a rear elevational view thereof;

FIG. 4 is a right side elevational view thereof;

FIG. 5 is a left side elevational view thereof;

FIG. 6 is a top plan view thereof;

FIG. 7 is a bottom plan view thereof; and,

FIG. 8 is a top, front and right side perspective view thereof with the CD case being pulled out.

**1 Claim, 3 Drawing Sheets**

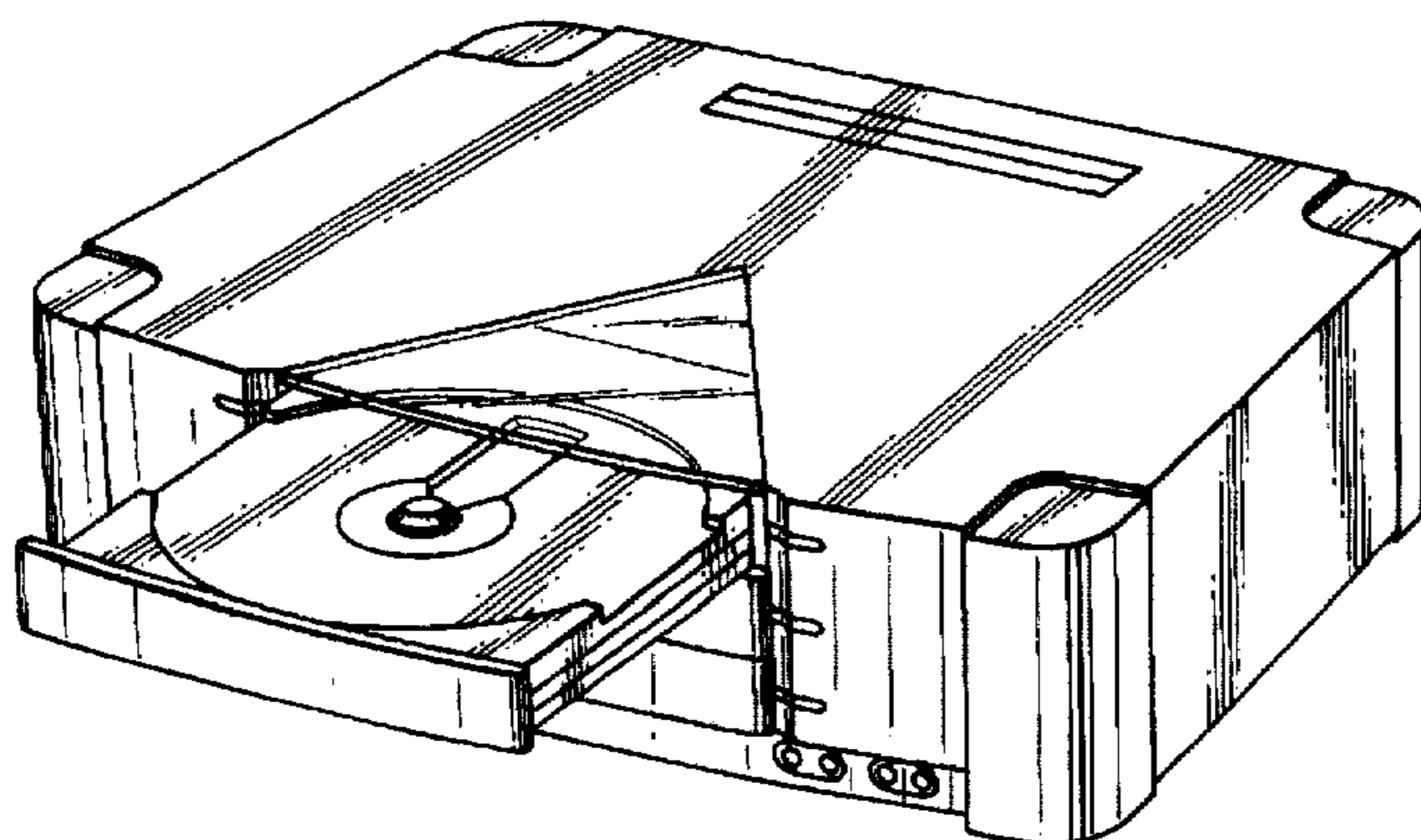
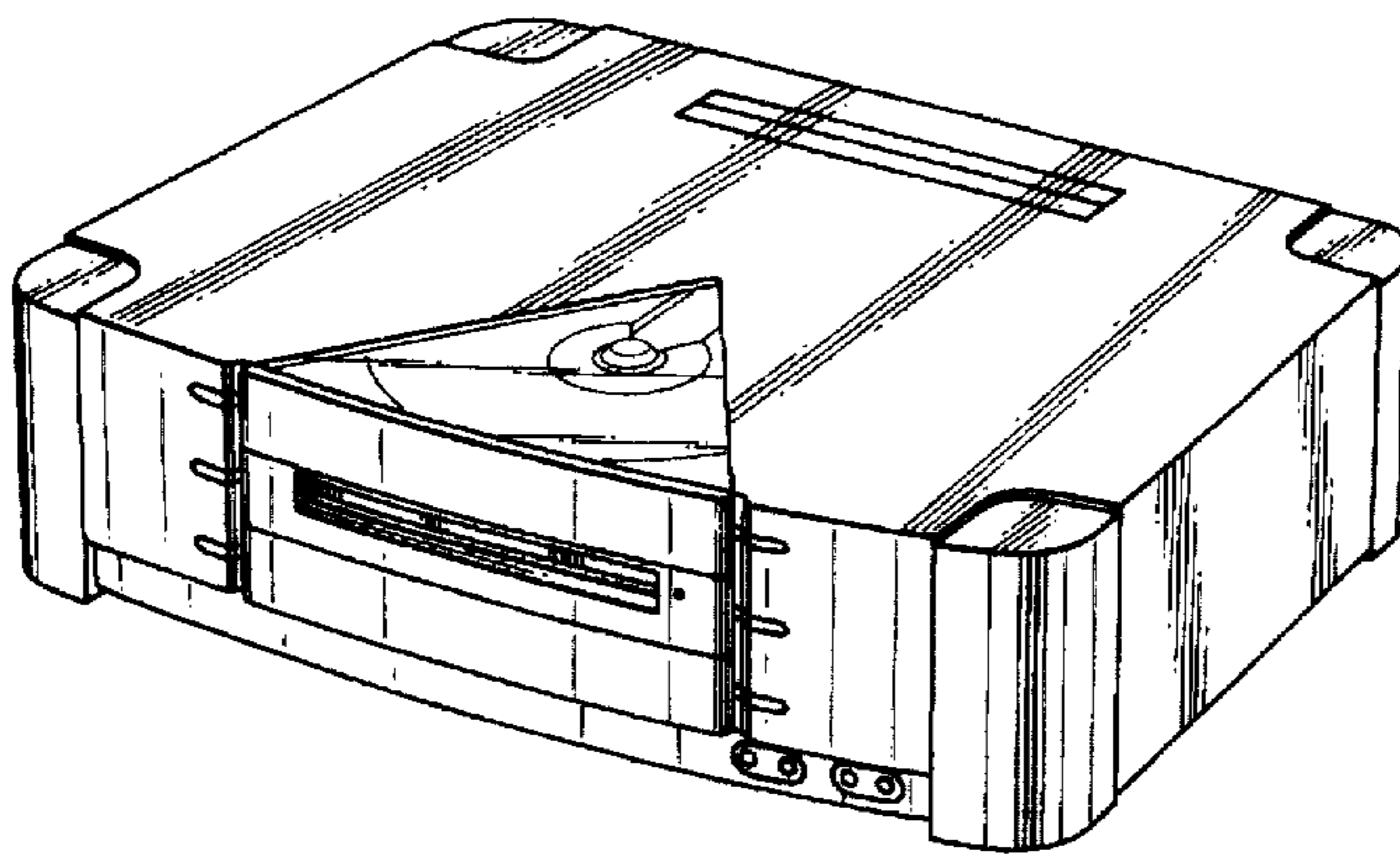


FIG. 1

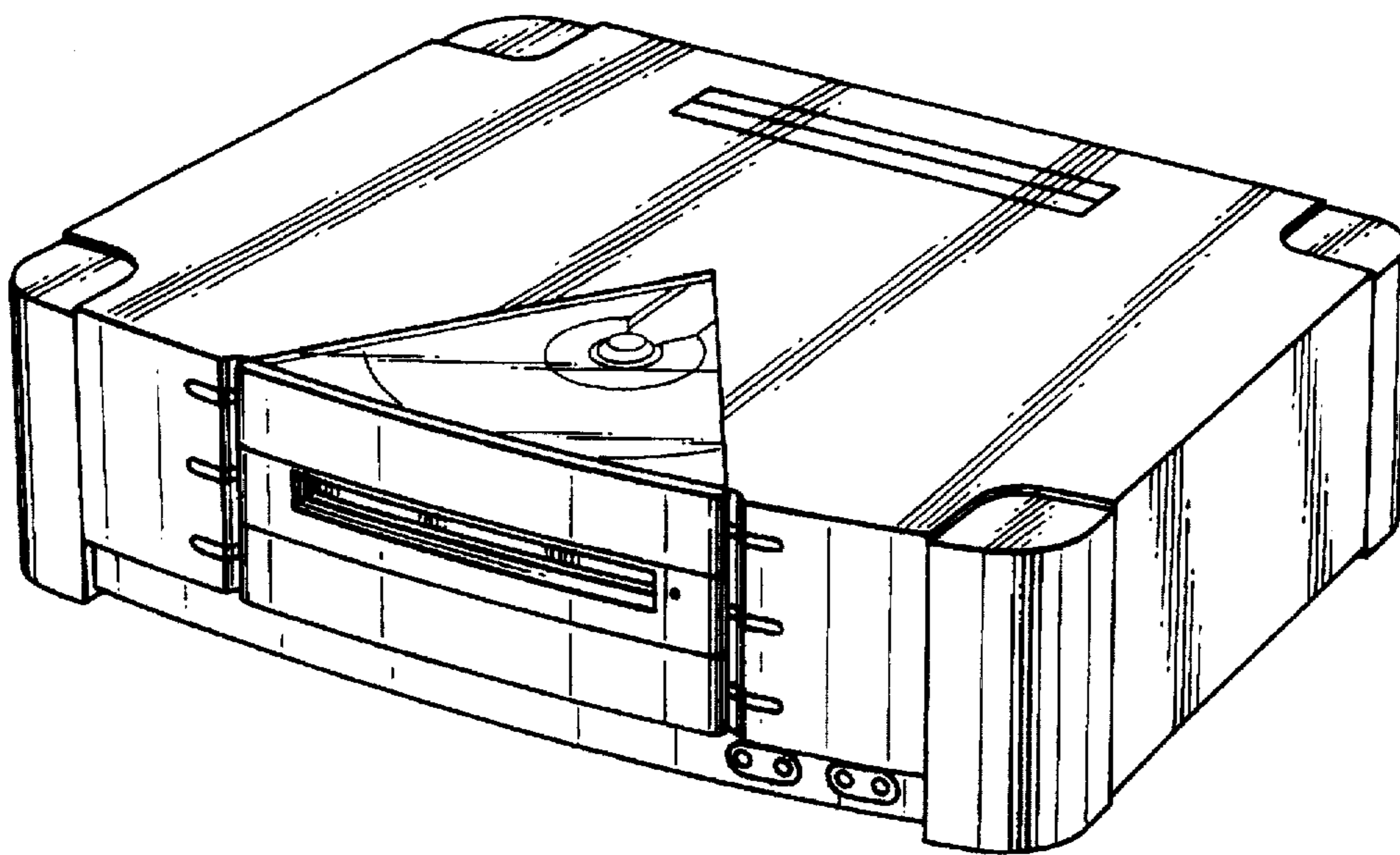


FIG. 2

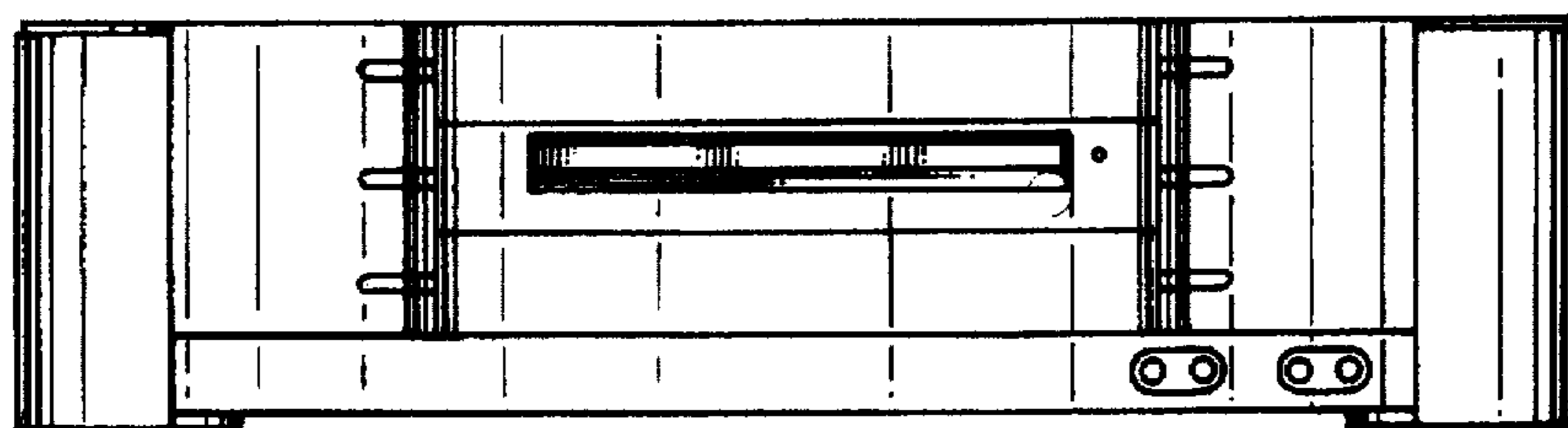


FIG. 3

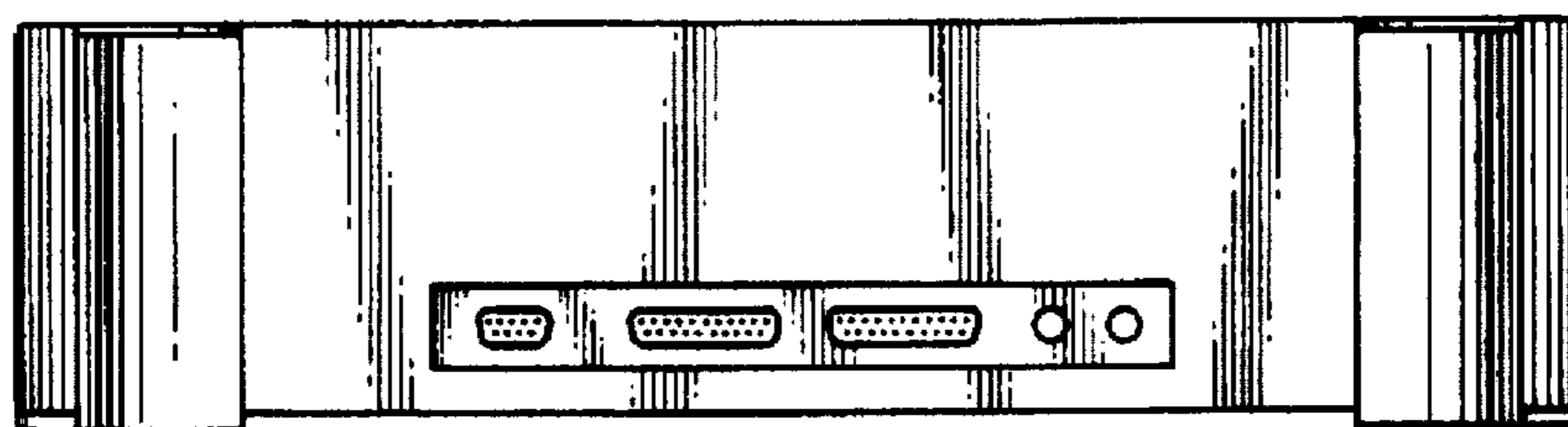


FIG. 4

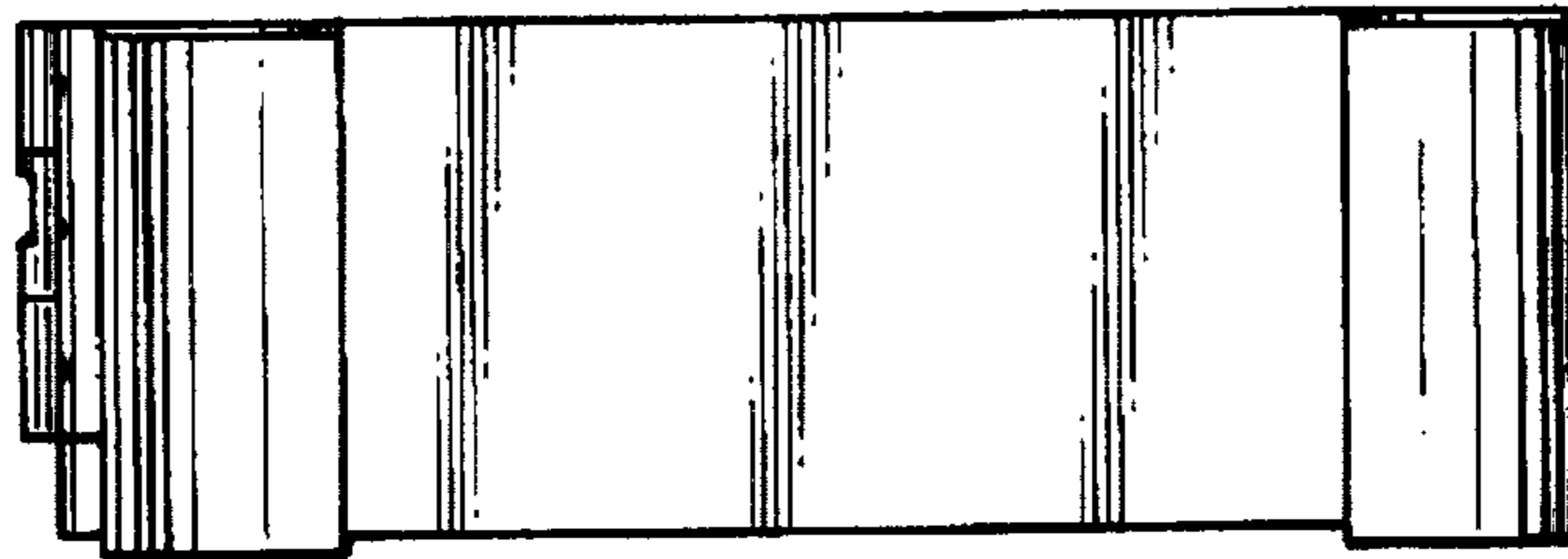


FIG. 5

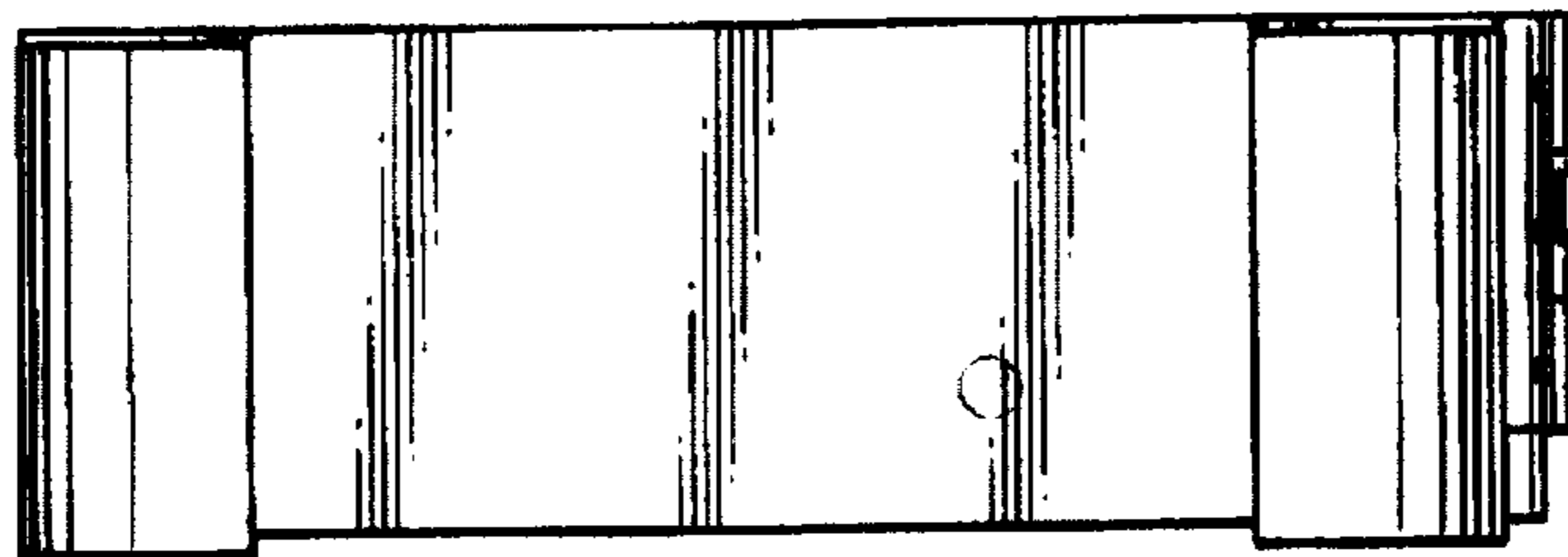


FIG. 6

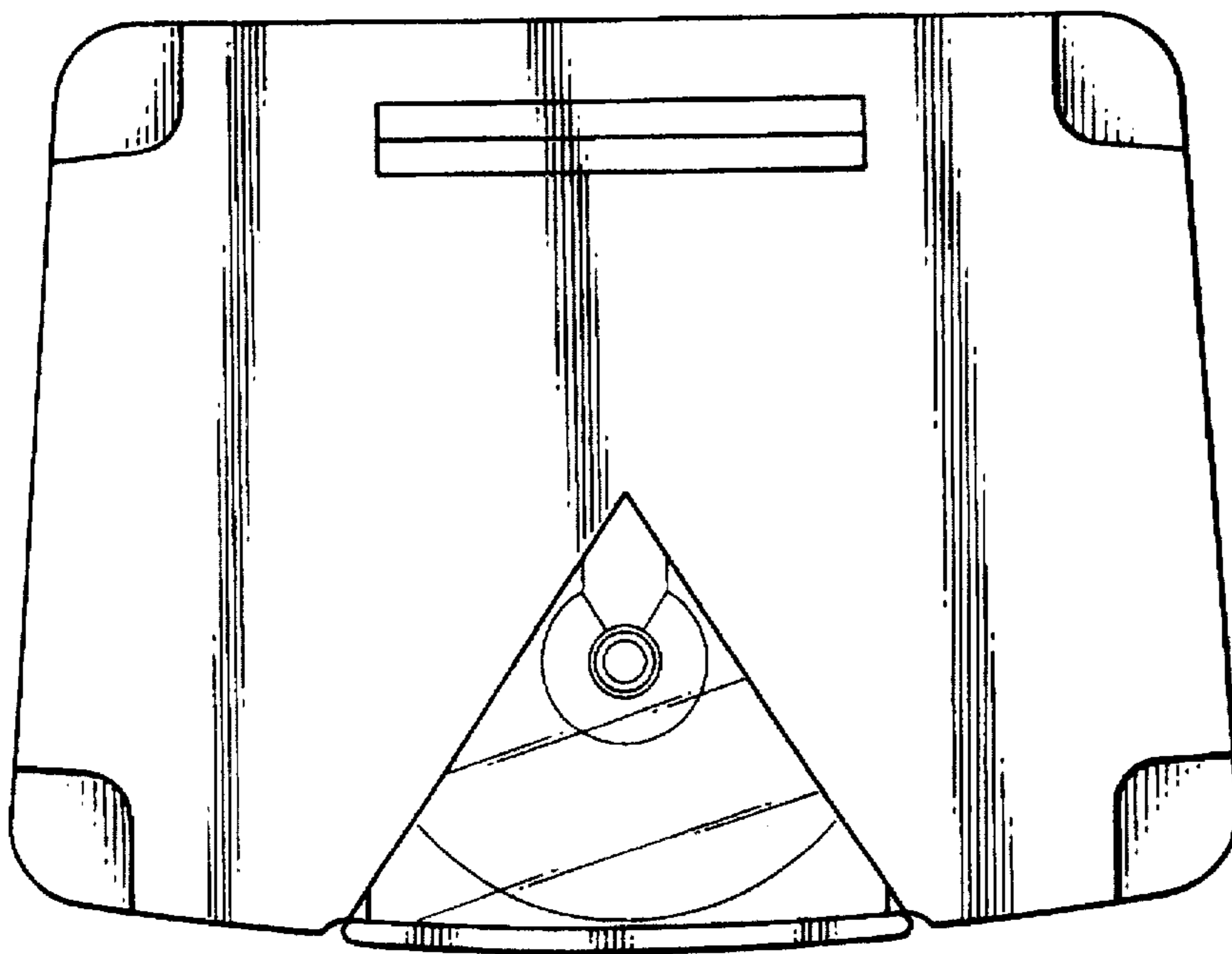


FIG. 7

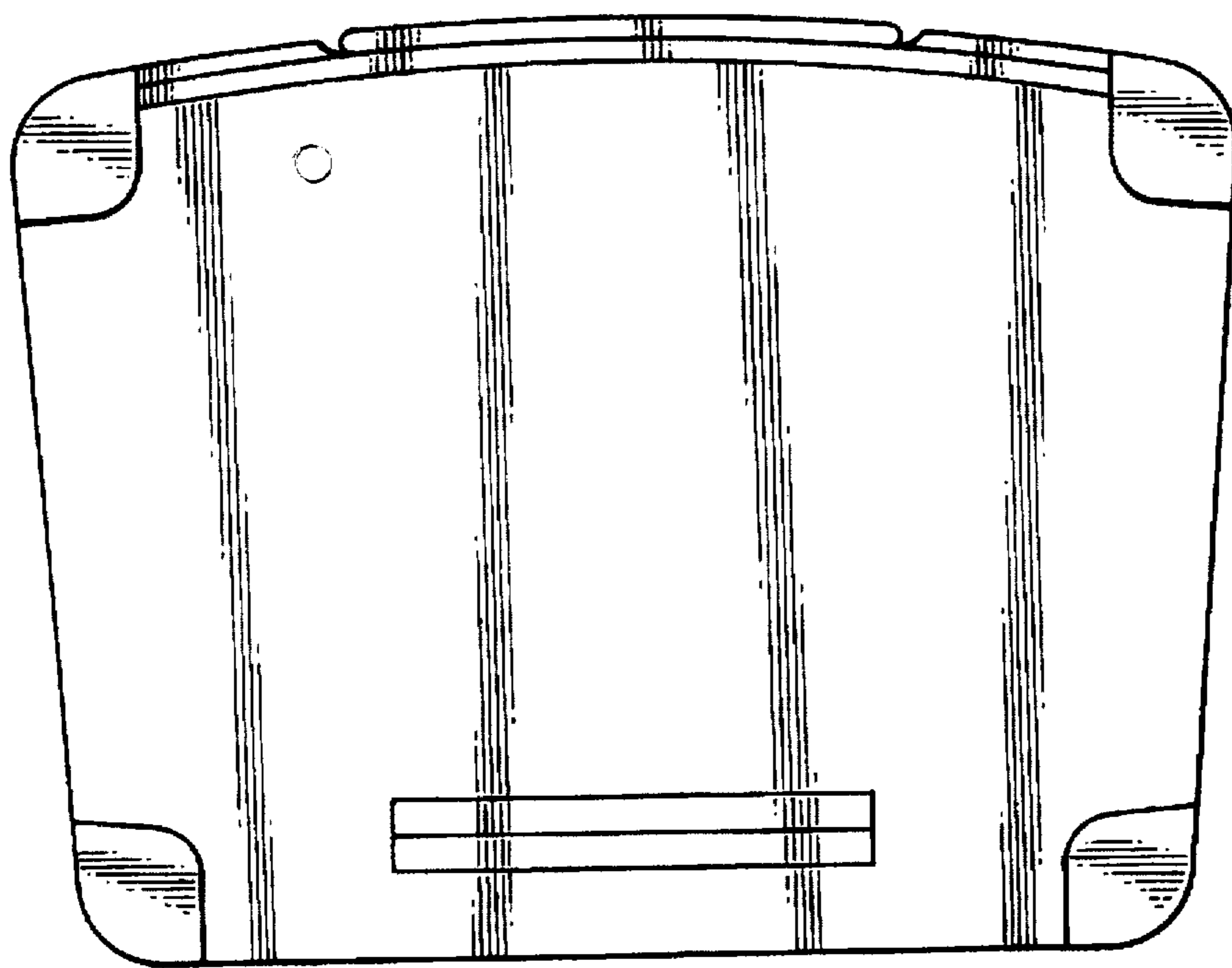


FIG. 8

