



US00D386478S

United States Patent [19]

Alfonso et al.

[11] Patent Number: **Des. 386,478**

[45] Date of Patent: ****Nov. 18, 1997**

[54] **COMPUTER COVER**

[75] Inventors: **Pedro Marcos Alfonso**, Austin, Tex.;
Michael Horton Sharp, Johnstone,
United Kingdom

[73] Assignee: **International Business Machines Corporation**, Armonk, N.Y.

[**] Term: **14 Years**

[21] Appl. No.: **60,673**

[22] Filed: **Oct. 3, 1996**

[51] LOC (6) Cl. **14-02**

[52] U.S. Cl. **D14/100; D14/109**

[58] Field of Search D14/100, 102,
D14/107-109; D13/162, 184, 199; D6/432,
436, 445, 448; 312/208.1, 254, 292; 360/99.01,
99.12; 361/694, 696, 683

[56] **References Cited**

U.S. PATENT DOCUMENTS

D. 309,448 7/1990 Aderman et al. D14/109
D. 358,140 5/1995 Takasu et al. D14/109

Primary Examiner—Freda Nunn

Attorney, Agent, or Firm—Richard A. Henkler

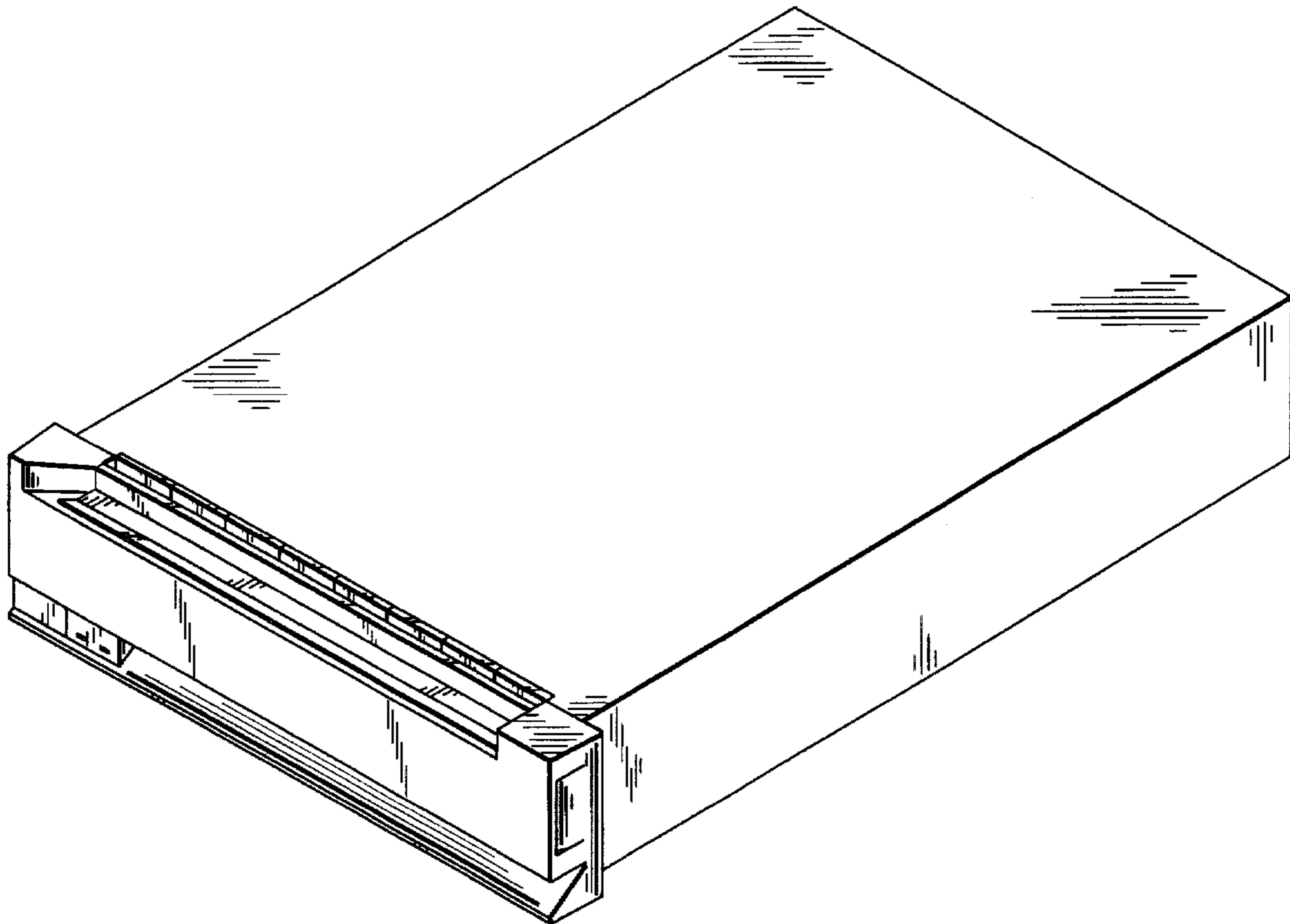
[57] **CLAIM**

The ornamental design for the computer cover, as shown and described.

DESCRIPTION

FIG. 1 is a top front and right side perspective view of a computer cover showing our new design the front cover being closed;
FIG. 2 is a front view thereof the front cover being closed;
FIG. 3 is a back view thereof;
FIG. 4 is a right side view thereof;
FIG. 5 is a left side view thereof;
FIG. 6 is a top plan view thereof, the front panel cover being closed; and,
FIG. 7 is a bottom plan view thereof.

1 Claim, 5 Drawing Sheets



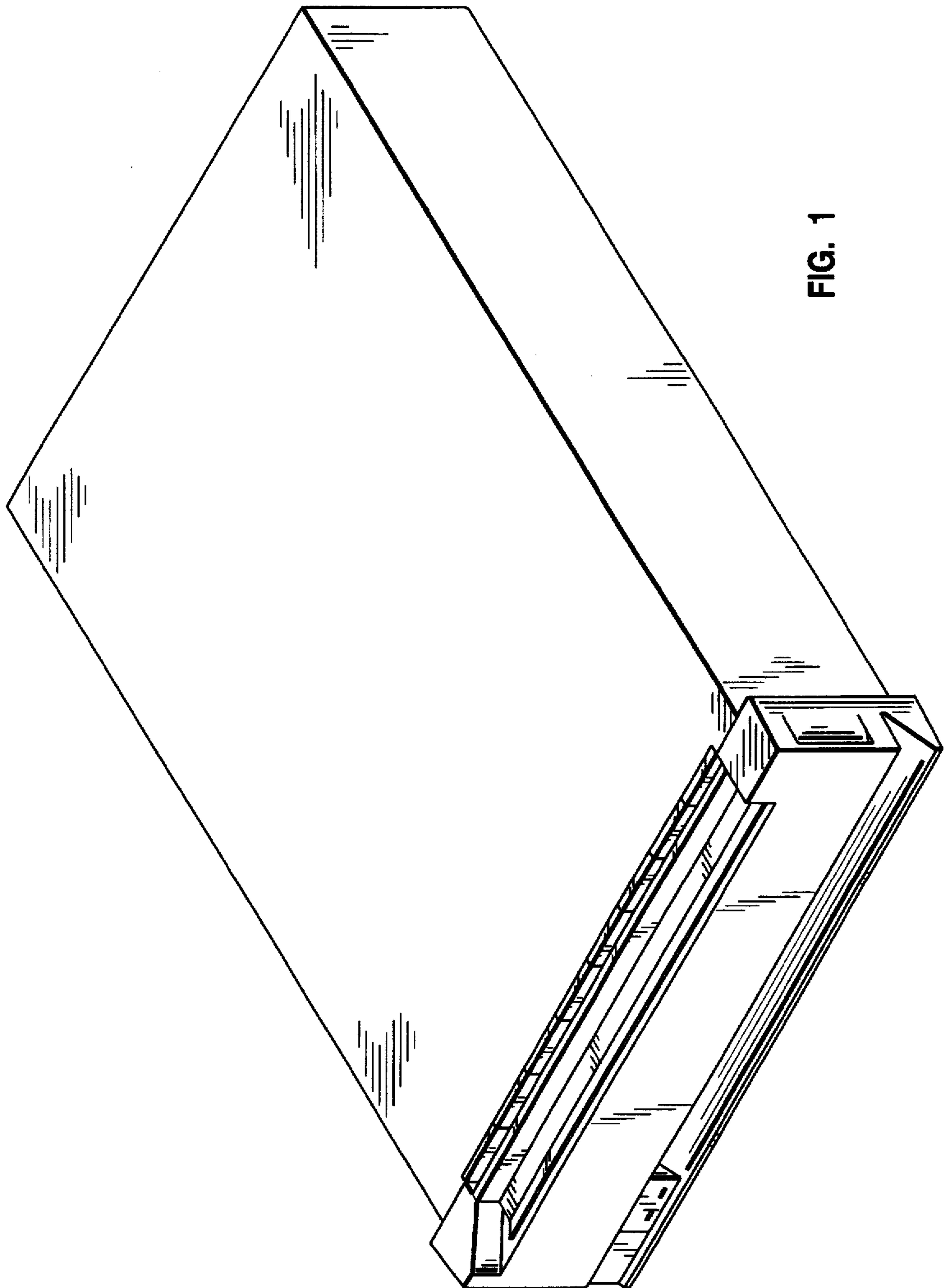


FIG. 1

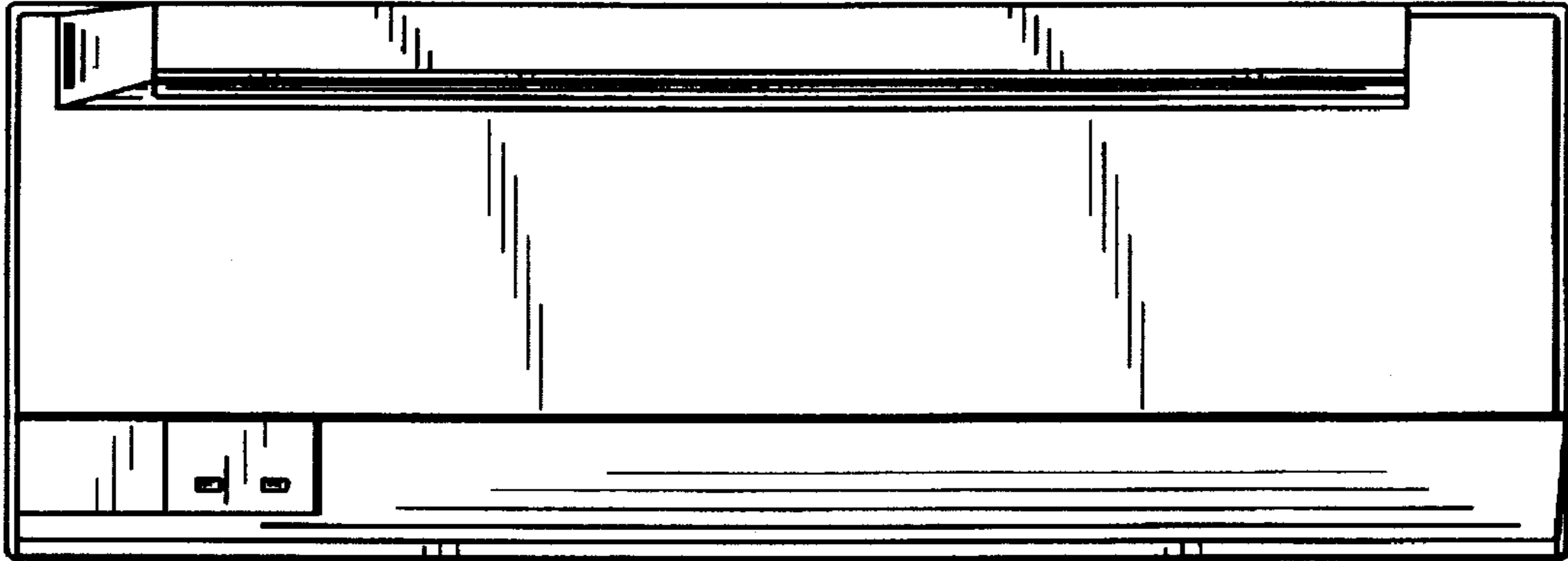


FIG. 2

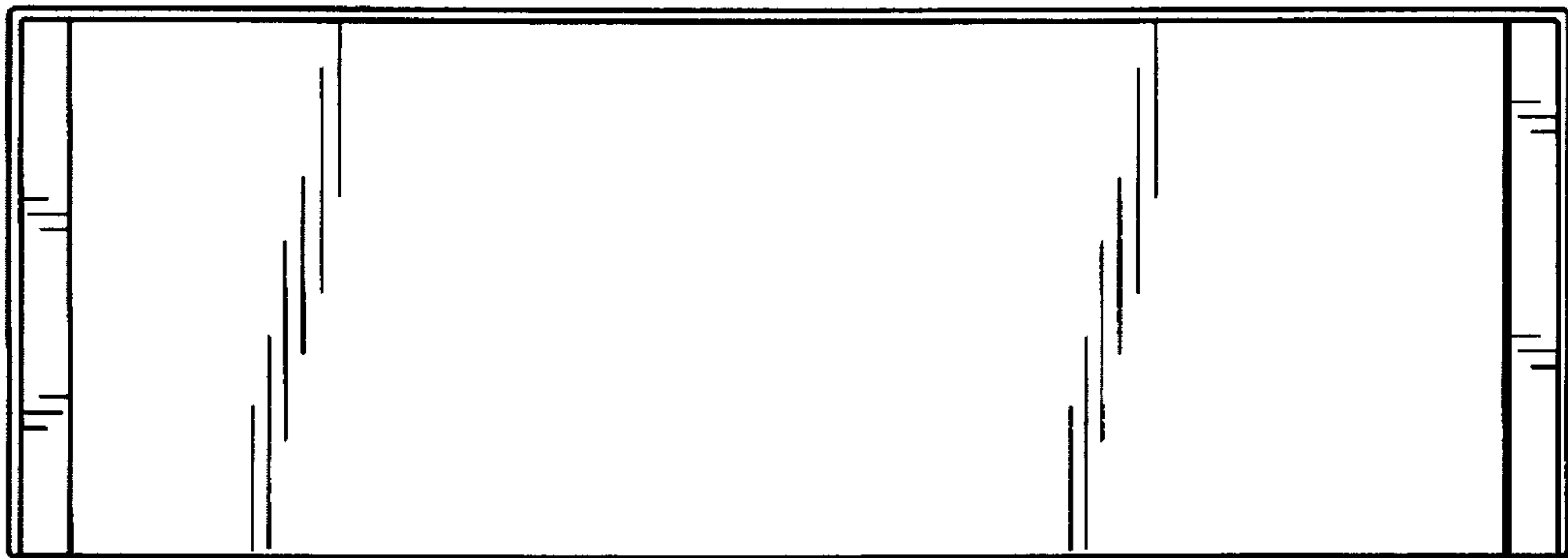


FIG. 3

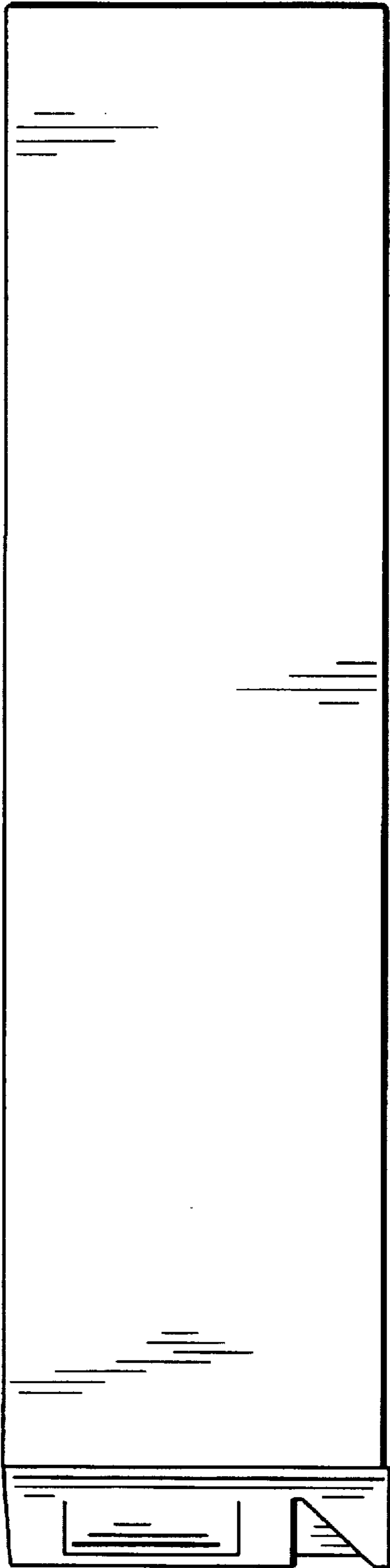


FIG. 4

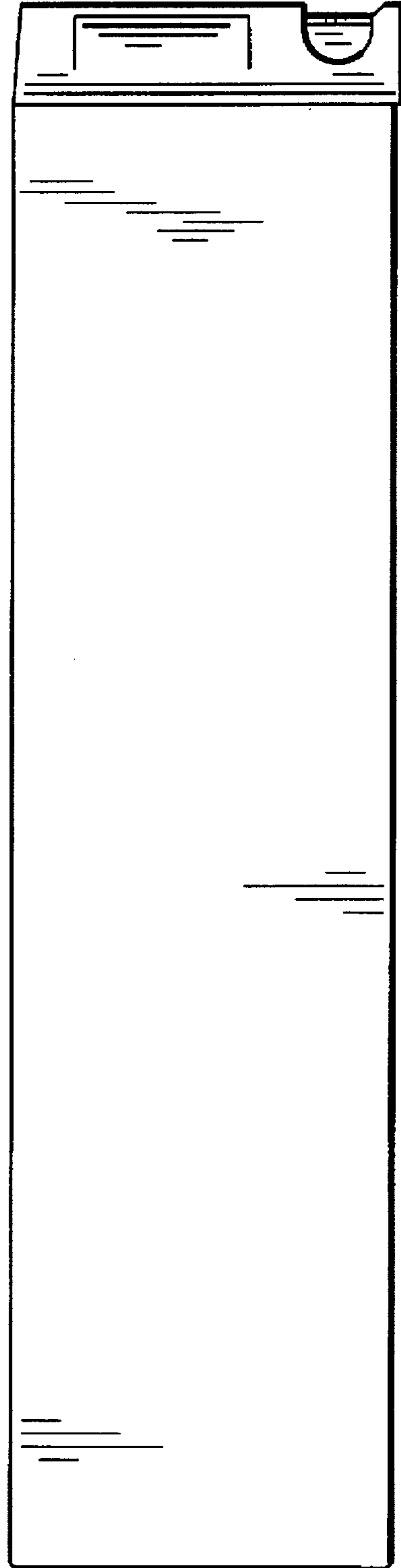


FIG. 5

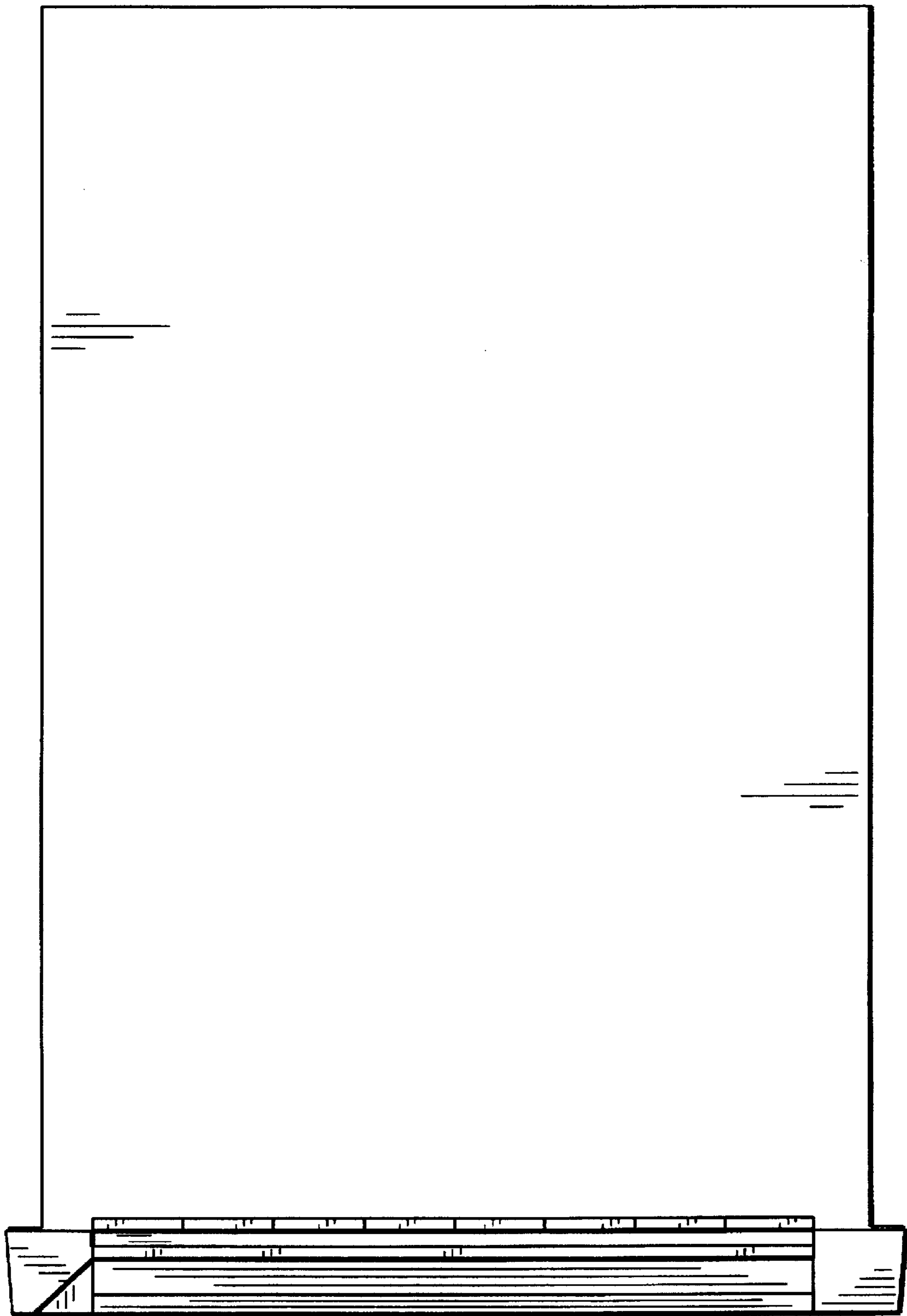


FIG. 6

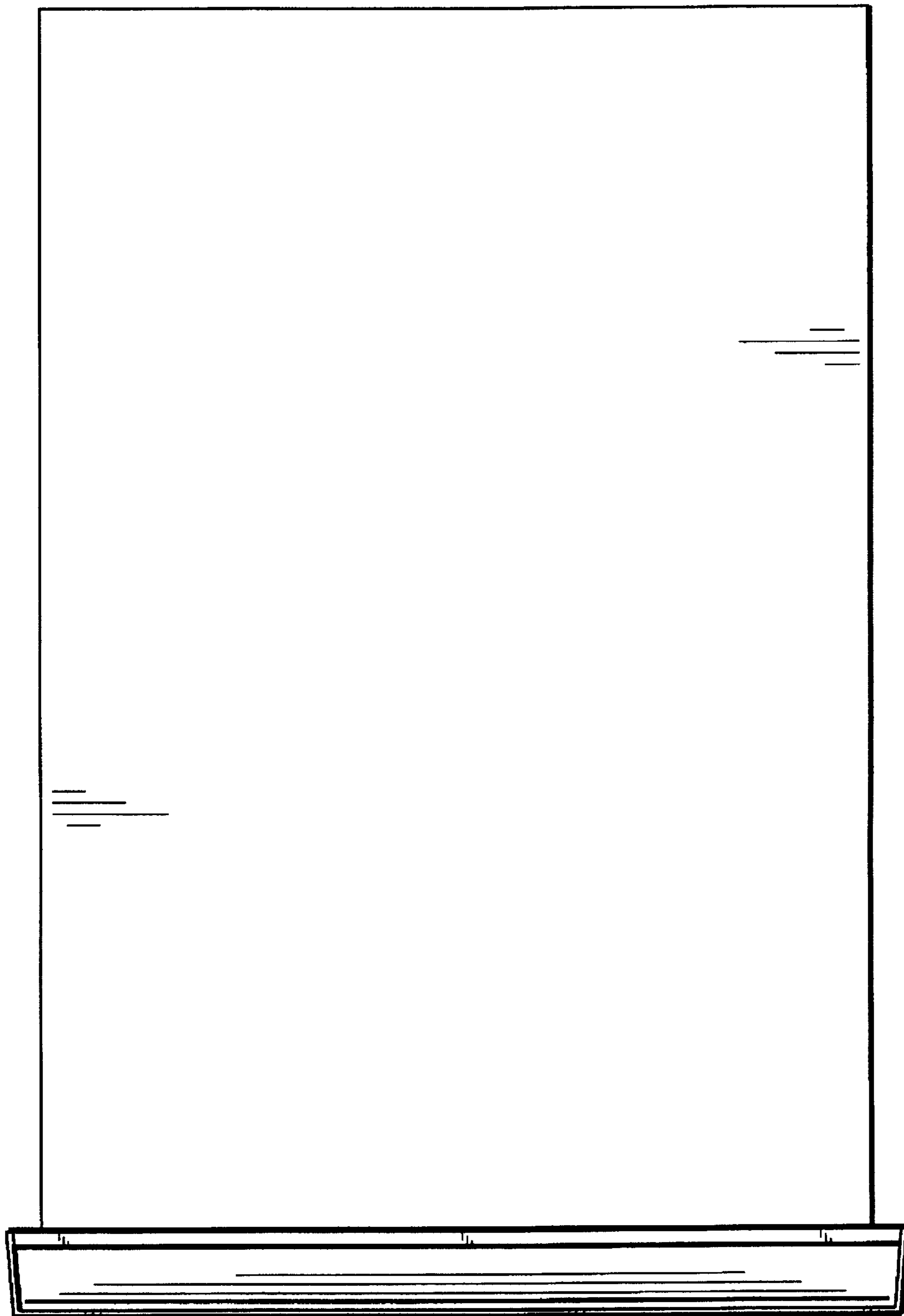


FIG. 7