



US00D386467S

United States Patent [19]

Alves et al.

[11] Patent Number: Des. 386,467

[45] Date of Patent: **Nov. 18, 1997

[54] VISOR CASSETTE HOLDER

[75] Inventors: **Roger J. Alves**, Simi Valley; **Roy Nimpoeno**, Monterey Park, both of Calif.

[73] Assignee: **Scosche Industries, Inc.**, Moorpark, Calif.

[**] Term: **14 Years**

[21] Appl. No.: **50,731**

[22] Filed: **Feb. 26, 1996**

[51] LOC (6) Cl. **12-16**

[52] U.S. Cl. **D12/417**

[58] Field of Search D6/407, 620-635; D12/415-423; 224/312, 275; 296/97.5, 37.15; D3/226, 215, 224, 247, 248, 232, 249, 253

[56] References Cited

U.S. PATENT DOCUMENTS

D. 189,713	2/1961	Brandt .	
D. 208,252	8/1967	Standard .	
D. 208,253	8/1967	Standard	D12/417
D. 230,101	1/1974	Green	D6/629
D. 313,695	1/1991	Mawhinney et al.	D12/422
D. 343,514	1/1994	Underwood, Jr. .	
D. 362,159	9/1995	Singh	D6/629
2,181,324	11/1939	Glover .	
2,468,817	5/1949	Duchin .	
2,486,096	10/1949	Axford et al. .	
2,655,299	10/1953	Pfeifer et al. .	
2,726,757	12/1955	Kellstrom .	
3,858,790	1/1975	Humphrey .	
4,273,277	6/1981	Stone .	
4,781,379	11/1988	Parks .	
4,781,409	11/1988	Harbison .	

4,844,311	7/1989	Kalen .
4,907,634	3/1990	Yoo .
4,921,027	5/1990	Scheunemann .
5,147,036	9/1992	Jacobs .
5,330,085	7/1994	Horensky et al. .

FOREIGN PATENT DOCUMENTS

1148918	of 0000	Japan .	
329494	of 0000	Japan .	
4136916	of 0000	Japan .	
568745	of 0000	Japan .	
62180566	of 0000	Japan .	
212958	of 0000	Switzerland .	
474381	8/1969	Switzerland	296/97.5
2025210	of 0000	United Kingdom .	

Primary Examiner—Louis S. Zarfes
Assistant Examiner—Frank Martinez
Attorney, Agent, or Firm—William W. Haefliger

[57] CLAIM

The ornamental design for a visor cassette holder, as shown and described.

DESCRIPTION

FIG. 1 is a perspective view of the visor cassette holder showing our new design from the side; FIG. 2 is a top plan view of the holder of FIG. 1; FIG. 3 is a bottom plan view of the holder of FIG. 1; FIG. 4 is a right end elevational view of the FIG. 1 holder; FIG. 5 is a rear side elevational view of the FIG. 1 holder; FIG. 6 is a left end elevational view of the FIG. 1 holder; and, FIG. 7 is a perspective view of the holder shown in folded condition, as on a sun visor as used in a vehicle. The broken line showing of the visor and tape cassettes in FIG. 7 is for illustrative purposes only and forms no part of the claimed design.

1 Claim, 2 Drawing Sheets

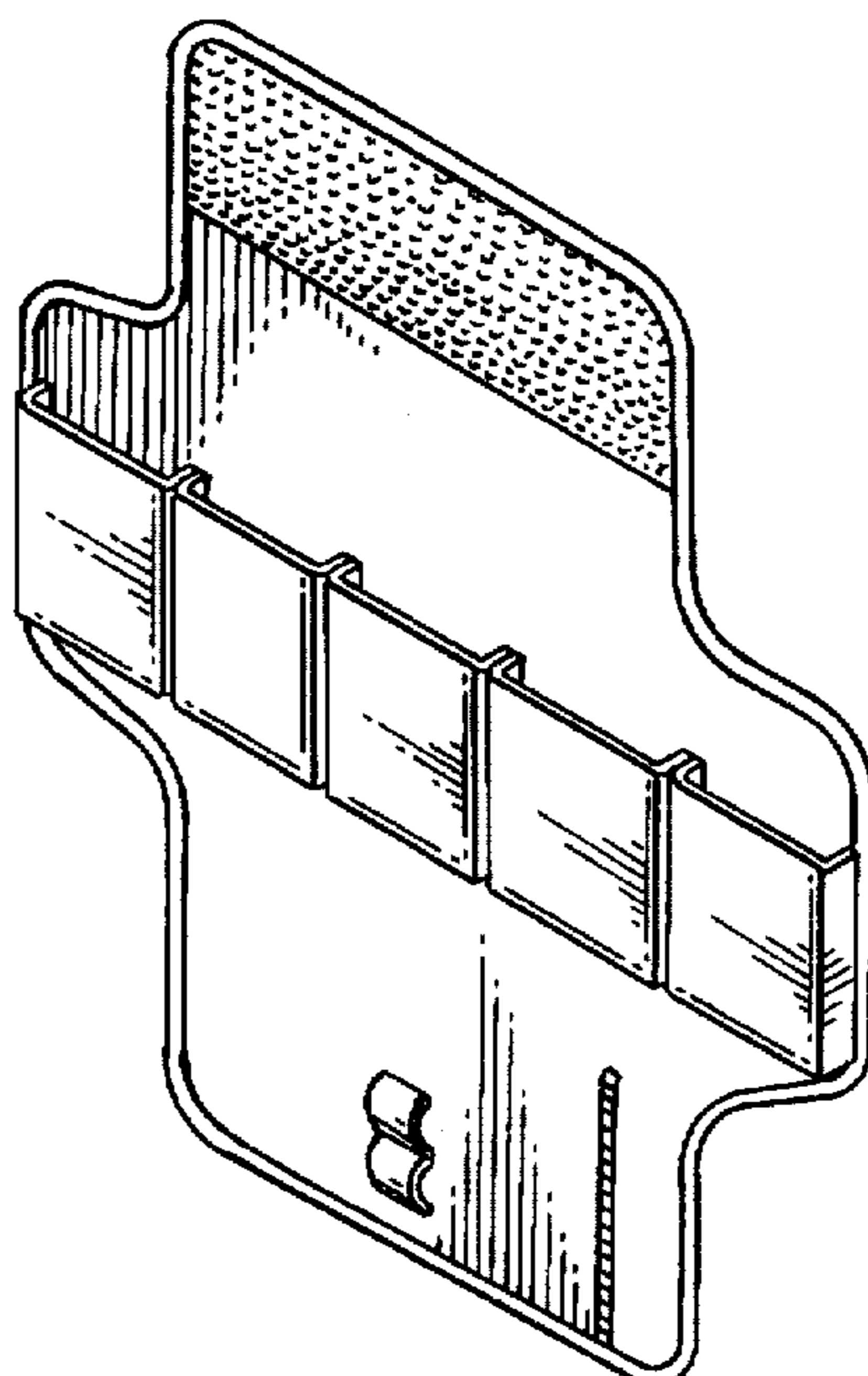


FIG. 1.

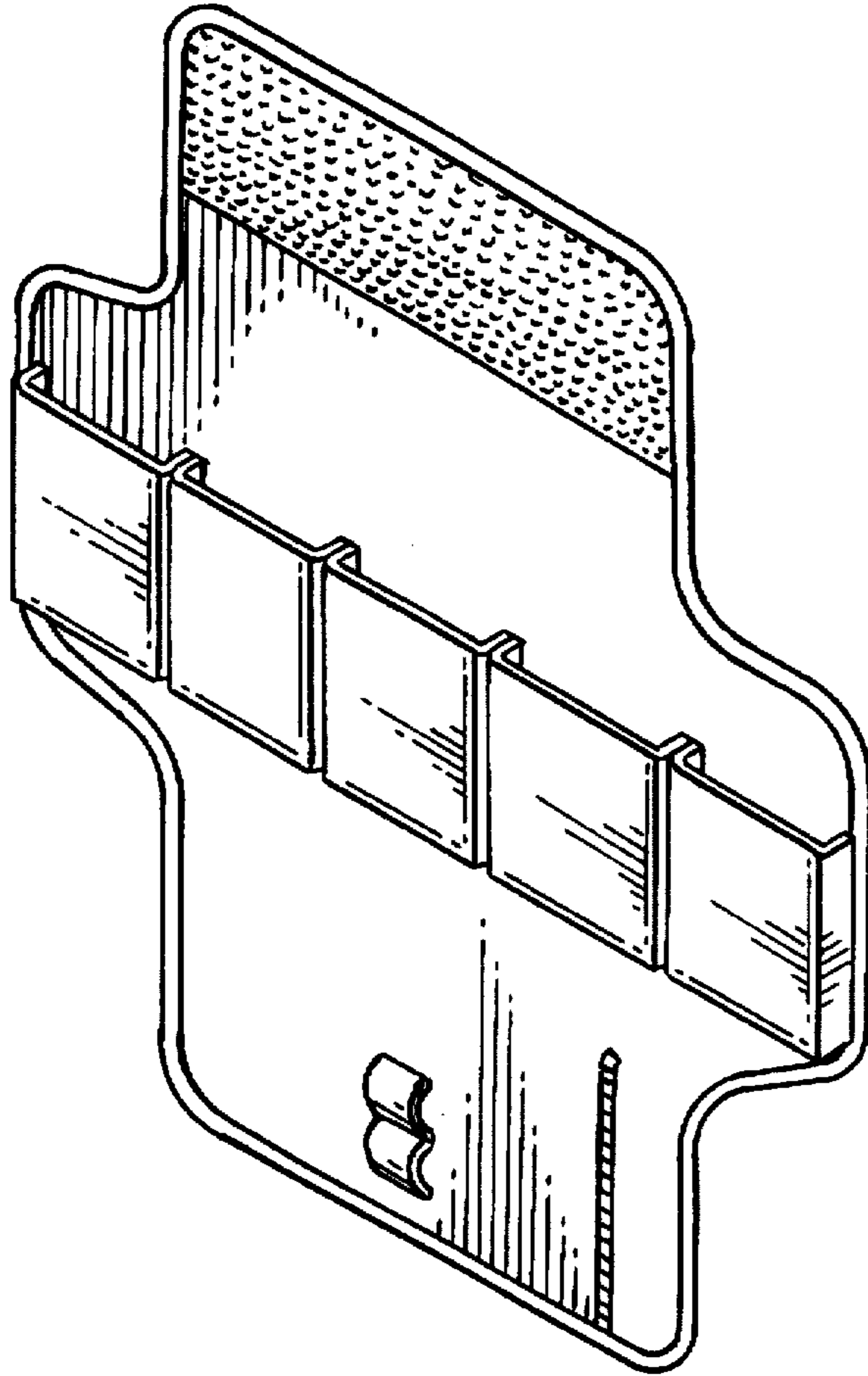


FIG. 4.



FIG. 2.

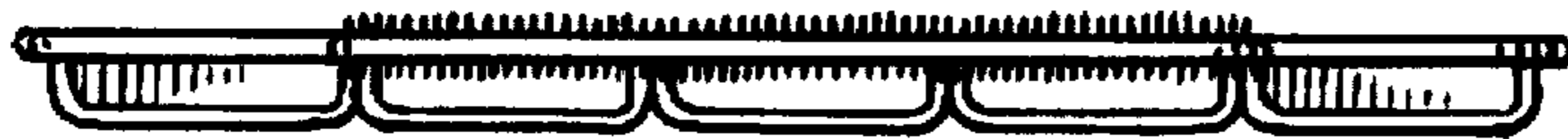


FIG. 3.



FIG. 5.

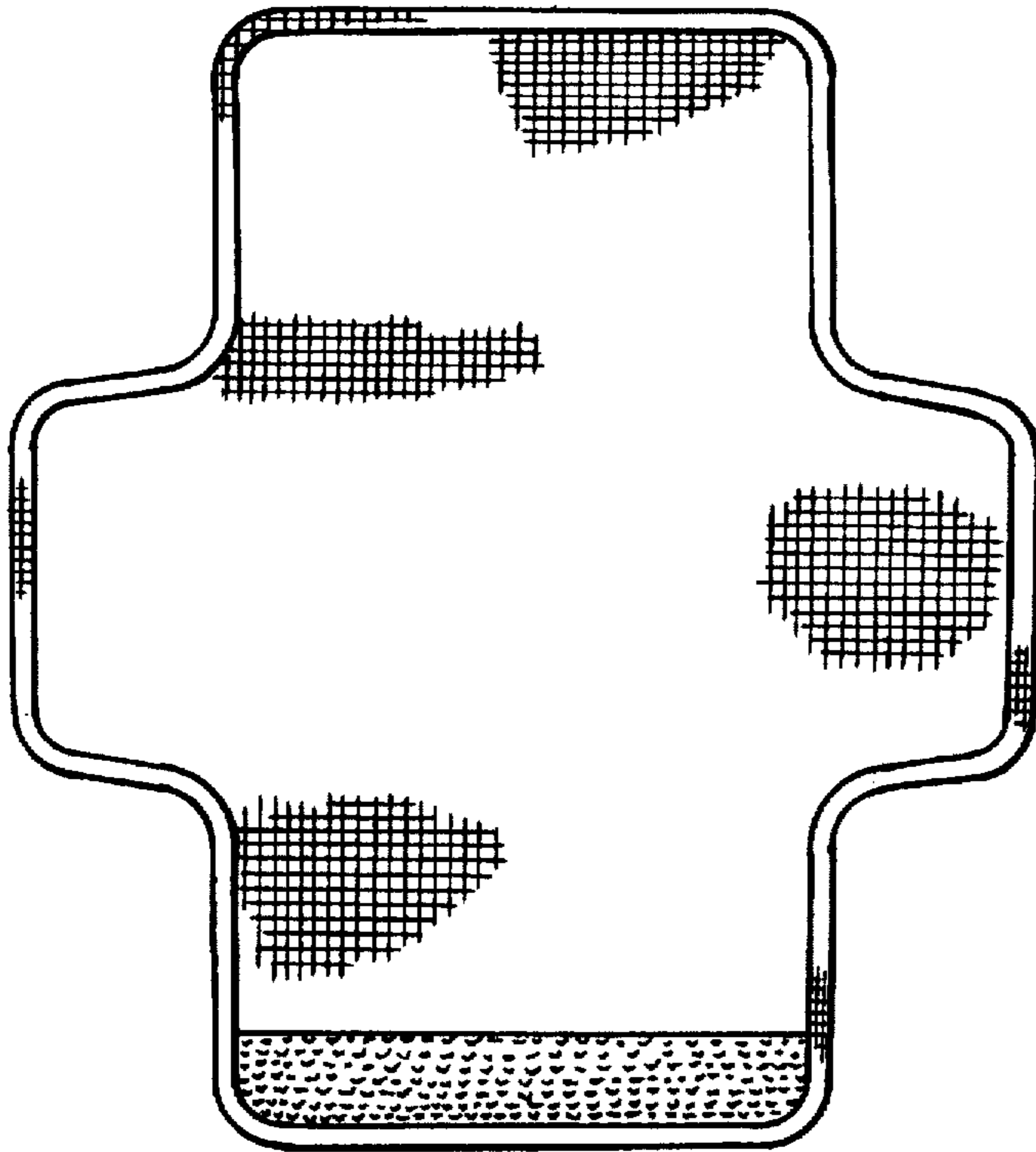


FIG. 6.



FIG. 7.

