

US00D386465S

**United States Patent** [19]  
**Bachmann**

[11] **Patent Number:** **Des. 386,465**  
[45] **Date of Patent:** **\*\*Nov. 18, 1997**

[54] **PLANING FLOATS FOR POWER BOAT**

2,985,130 5/1961 Jacobs et al. .... 114/285  
4,967,682 11/1990 O'Donnell ..... 114/286

[76] **Inventor:** **Helmuth Bachmann**, 339 Greenlake  
Dr., Sunnyvale, Calif. 94089

*Primary Examiner*—Kay H. Chin

[\*\*] **Term:** **14 Years**

[57] **CLAIM**

[21] **Appl. No.:** **38,665**

The ornamental design for a planing floats for power boat,  
as shown and described.

[22] **Filed:** **May 9, 1995**

**DESCRIPTION**

[51] **LOC (6) Cl.** ..... **12-06**

[52] **U.S. Cl.** ..... **D12/317**

[58] **Field of Search** ..... D12/300-318;  
114/285, 286, 287

FIG. 1 is a top plan view of a left planing float for power boat  
showing my new design;

FIG. 2 is a side elevational view thereof;

FIG. 3 is a top perspective view thereof;

FIG. 4 is a top plan view of a right planing float;

FIG. 5 is a side elevational view of FIG. 4; and,

FIG. 6 is a top perspective view of FIG. 4.

[56] **References Cited**

**U.S. PATENT DOCUMENTS**

D. 235,635 7/1975 Curtis ..... D12/317

**1 Claim, 2 Drawing Sheets**

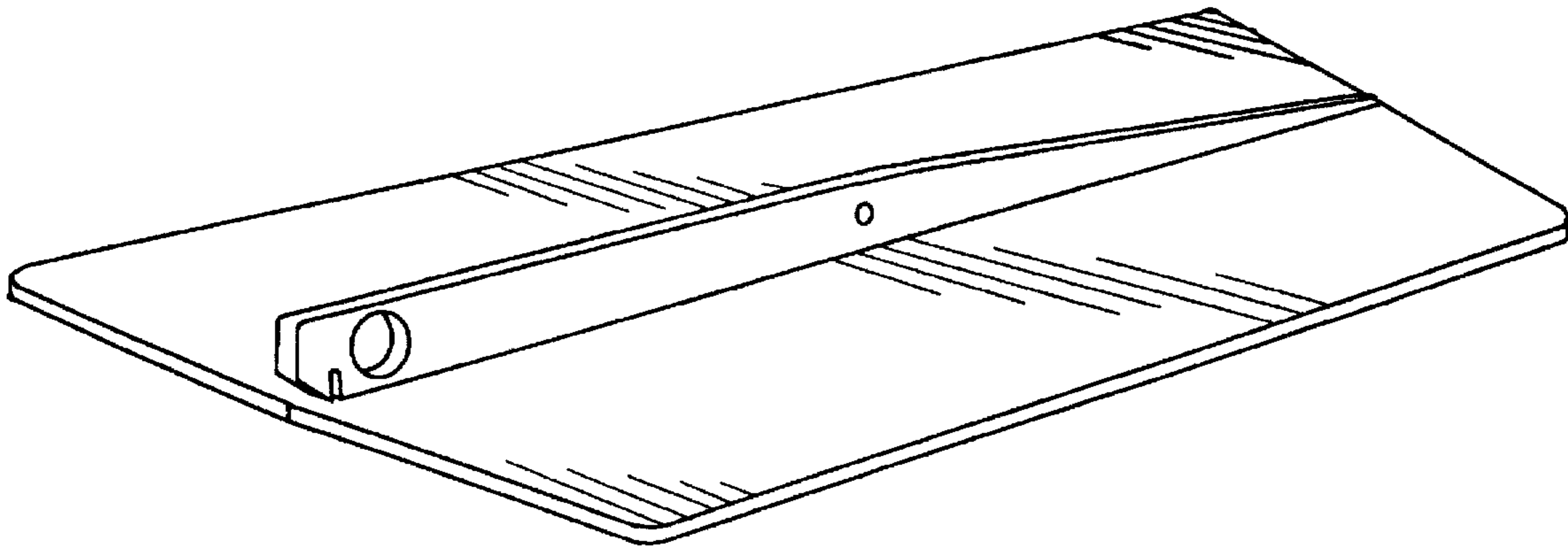


FIG. 1

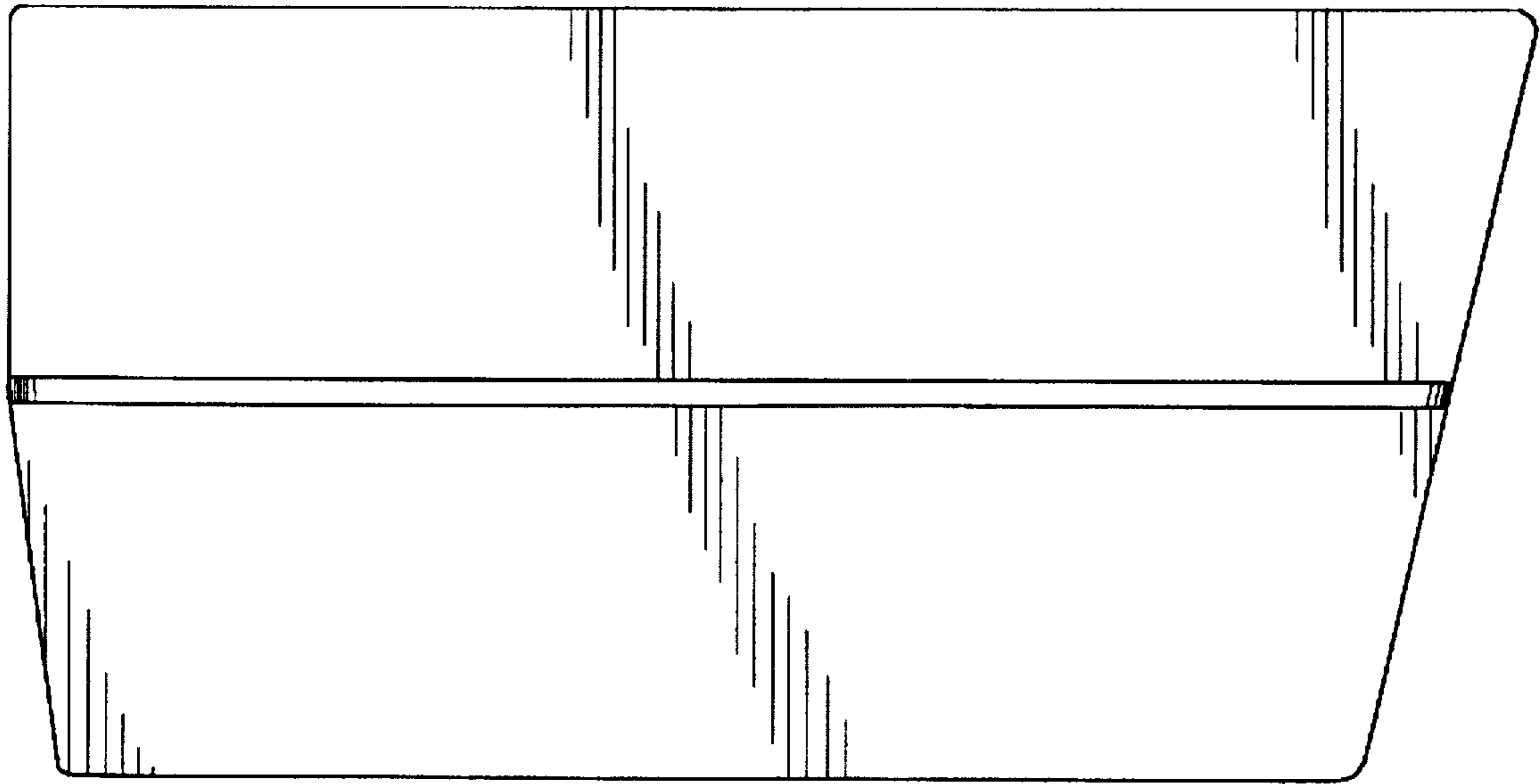


FIG. 2

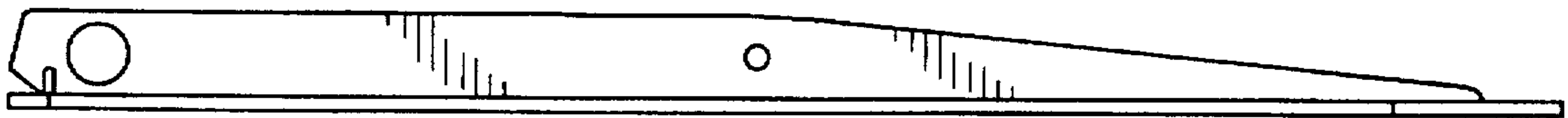


FIG. 3

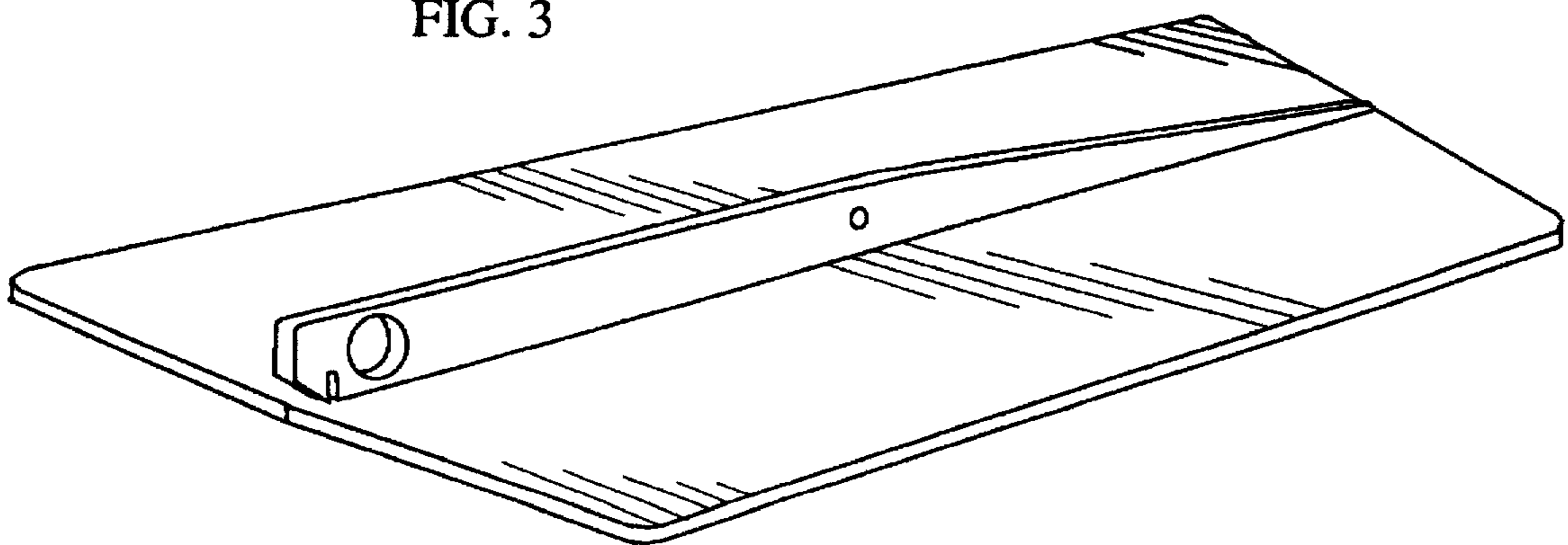


FIG. 4

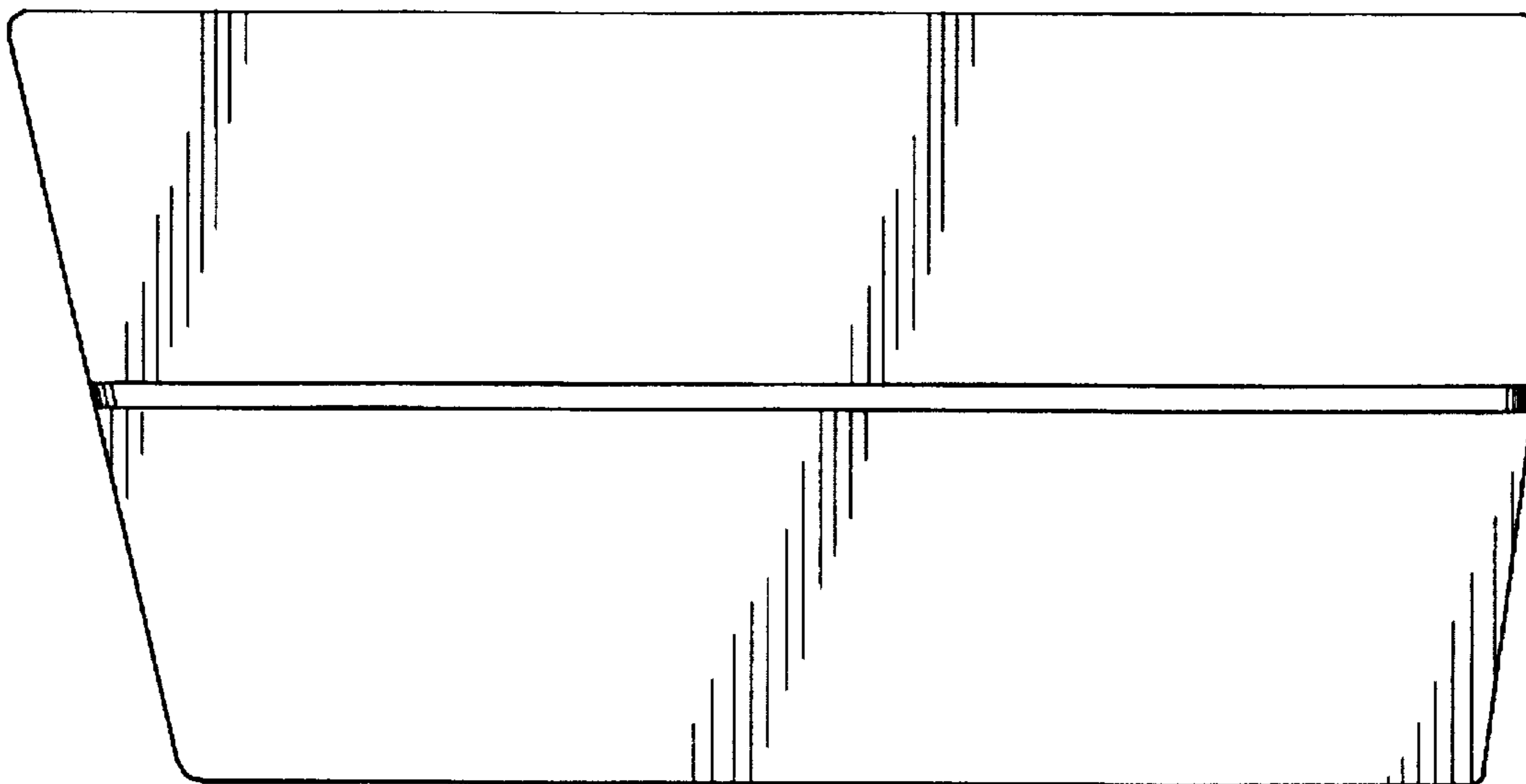


FIG. 5

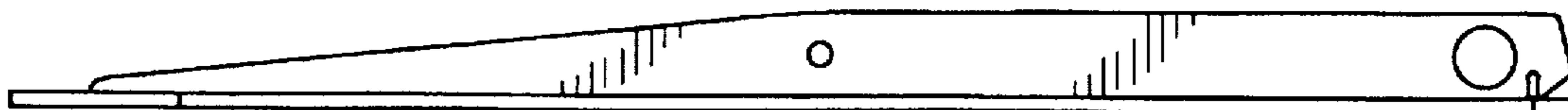


FIG. 6

