

US00D386458S

United States Patent [19]
Smith

[11] **Patent Number:** **Des. 386,458**

[45] **Date of Patent:** ****Nov. 18, 1997**

[54] **VEHICLE DOOR PANEL**

5,232,261 8/1993 Kuroda et al. 296/146.6

[76] **Inventor:** **John J. Smith**, 550 E. Myrtle Ave.,
Glendora, Calif. 91741

Primary Examiner—James Gandy
Assistant Examiner—Robert Spear

[**] **Term:** **14 Years**

[57] **CLAIM**

[21] **Appl. No.:** **58,140**

The ornamental design for a vehicle door panel, as shown and described.

[22] **Filed:** **Aug. 8, 1996**

DESCRIPTION

[51] **LOC (6) Cl.** **12-16**

FIG. 1 is a front elevational view of the vehicle door panel showing my new design;

[52] **U.S. Cl.** **D12/190; D12/167**

FIG. 2 is a rear elevational view thereof;

[58] **Field of Search** **D12/190, 400,**
D12/167; 280/770; 293/126, 128; 296/146.6

FIG. 3 is a right side elevational view thereof;

FIG. 4 is a left side elevational view thereof;

FIG. 5 is a top plan view thereof; and

FIG. 6 is a bottom plan view thereof; and,

FIG. 7 is a perspective view thereof shown at a reduced scale and shown in use on a conventional vehicle door.

The broken line showing of a vehicle door is for illustrative purposes only and forms no part of the claimed design.

[56] **References Cited**

U.S. PATENT DOCUMENTS

D. 358,358	5/1995	Burroughs	D12/167
D. 374,295	10/1996	Farchione	D12/114
4,111,478	9/1978	Pompei et al.	293/126
4,708,380	11/1987	Cruz	293/128
5,037,148	8/1991	Kennedy	293/128
5,060,994	10/1991	Martin et al.	293/128

1 Claim, 3 Drawing Sheets

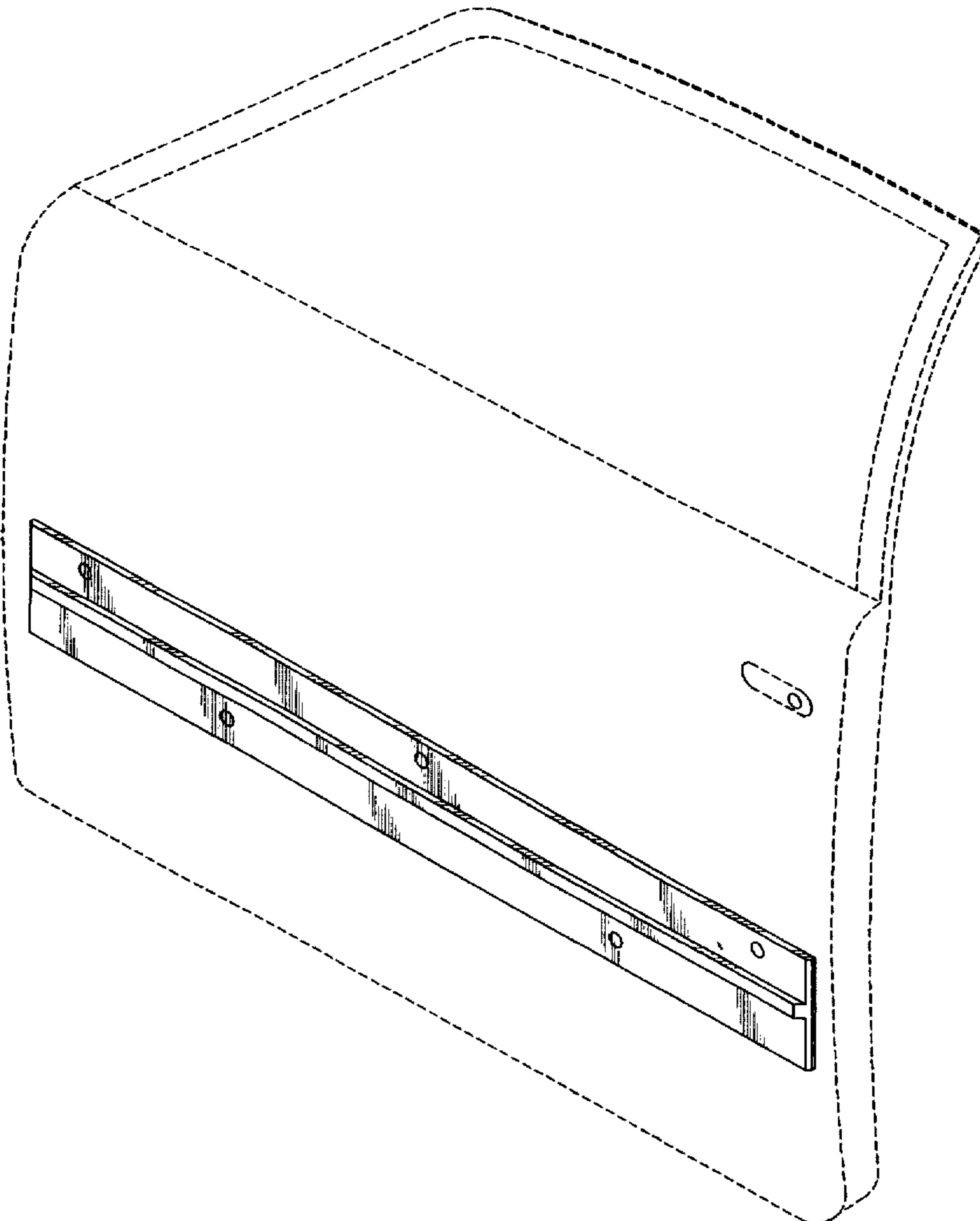


FIG. 1

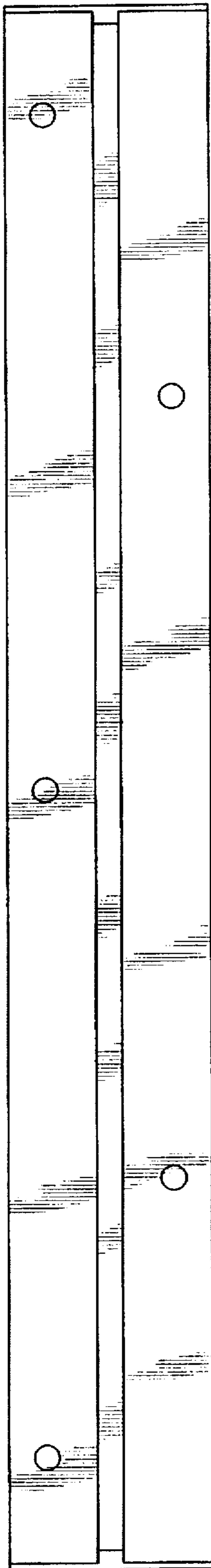


FIG. 2

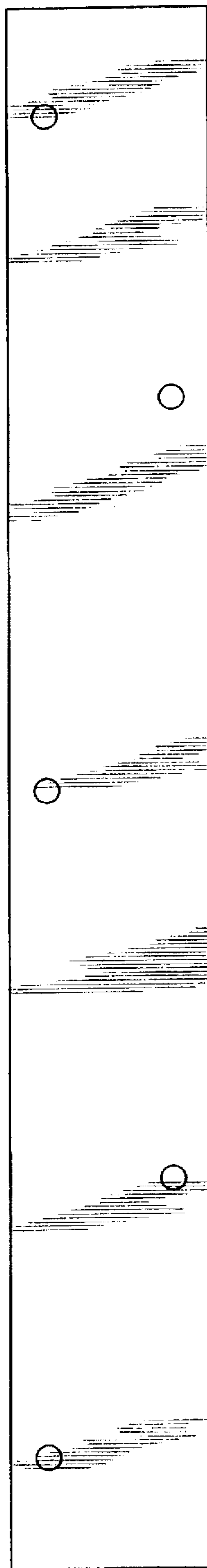


FIG. 3



FIG. 4



FIG. 5



FIG. 6



FIG. 7

