



US00D386455S

United States Patent [19]
Clementz et al.

[11] **Patent Number:** **Des. 386,455**
[45] **Date of Patent:** ****Nov. 18, 1997**

[54] **DECORATIVE BAND FOR A TIRE SIDEWALL**
[75] **Inventors:** **Michel Clementz, Arlon, Belgium; Gilbert Feller, Burden; Raymond Merx, Junglinster, both of Luxembourg**
[73] **Assignee:** **The Goodyear Tire & Rubber Company, Akron, Ohio**
[**] **Term:** **14 Years**
[21] **Appl. No.:** **41,957**
[22] **Filed:** **Jul. 27, 1995**
[51] **LOC (6) Cl.** **12-15**
[52] **U.S. Cl.** **D12/152**
[58] **Field of Search** **D12/152; 152/523-525**

4,343,342 8/1982 McDonald D12/152 X
4,625,101 11/1986 Hinks et al. 235/462
4,900,378 2/1990 Wistehuff 156/63
5,303,758 4/1994 Clementz et al. 152/523

FOREIGN PATENT DOCUMENTS

4111345 11/1991 Germany B60C 13/00
138775 9/1920 United Kingdom .
330432 12/1930 United Kingdom .
2010755 7/1979 United Kingdom B60C 13/00

Primary Examiner—James Gandy
Assistant Examiner—Stacia Sinuik
Attorney, Agent, or Firm—David L. King

[57] **CLAIM**

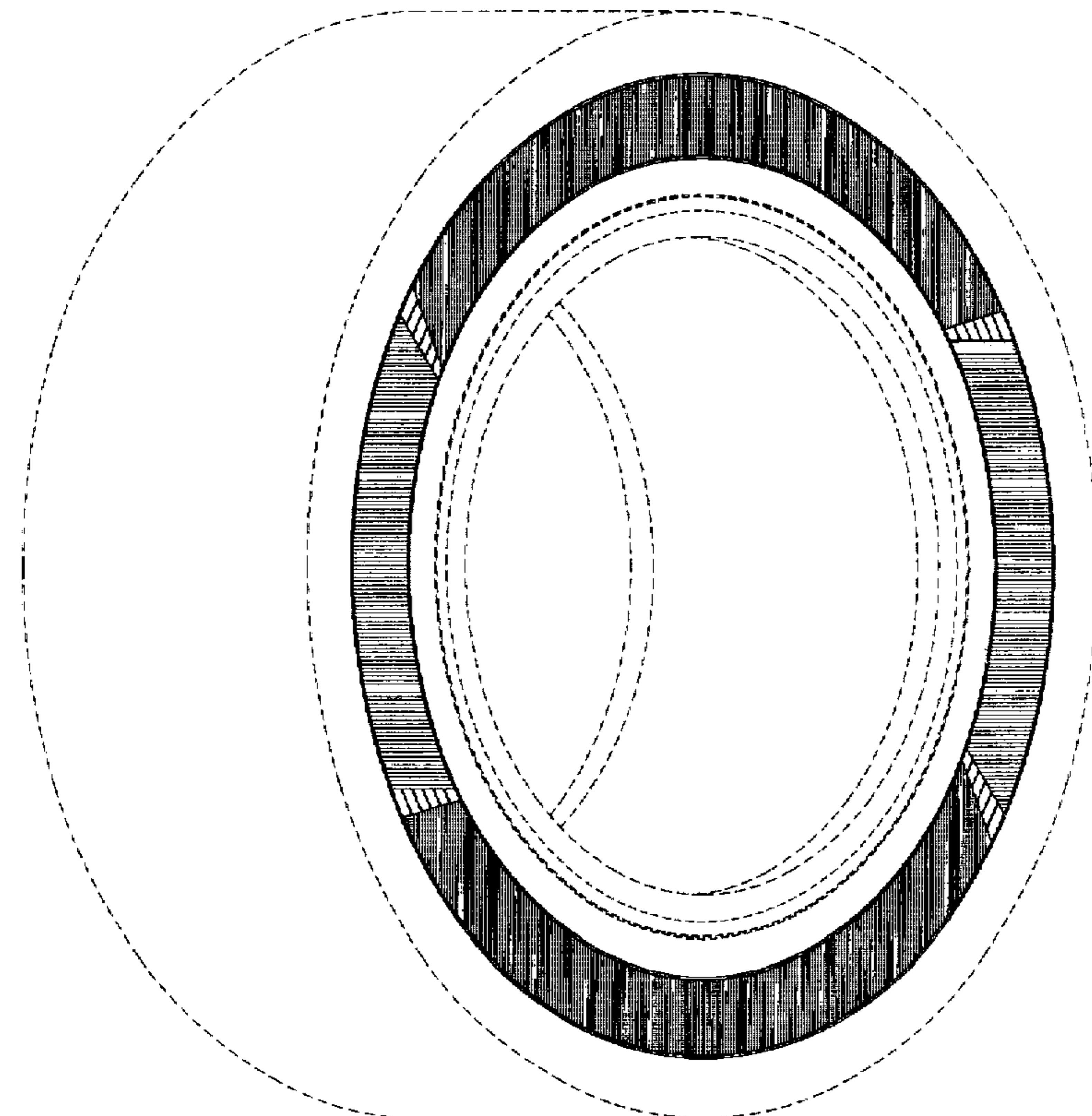
The ornamental design for a decorative band for a tire sidewall, as shown and described.

DESCRIPTION

FIG. 1 is a perspective view of a decorative band for a tire sidewall showing my new design, the band being a background pattern for indicia or lettering to be placed, it being understood that the broken line showing of the remainder of the tire is for illustrative purposes only and forms no part of the claimed design;

FIG. 2 is an enlarged fragmentary perspective view thereof; FIG. 3 is a side elevation view thereof; and, FIGS. 4 and 5 are enlarged cross-sectional views thereof taken along lines 4—4 and 5—5 of FIG. 3.

1 Claim, 4 Drawing Sheets



[56] **References Cited**
U.S. PATENT DOCUMENTS
D. 91,322 1/1934 James D12/152
D. 171,451 2/1954 Kraft .
D. 204,585 4/1966 Vizina, Jr. D90/20
D. 270,723 9/1983 McDonald D12/152
D. 367,456 2/1996 Scarpitti et al. D12/152
1,448,286 3/1923 Comstock .
1,635,077 7/1927 Erskine .
2,082,928 6/1937 Wilhelmy .
2,807,564 9/1957 Mitchell .
4,155,393 5/1979 Grawey D12/152 X
4,198,774 4/1980 Roberts et al. 40/587

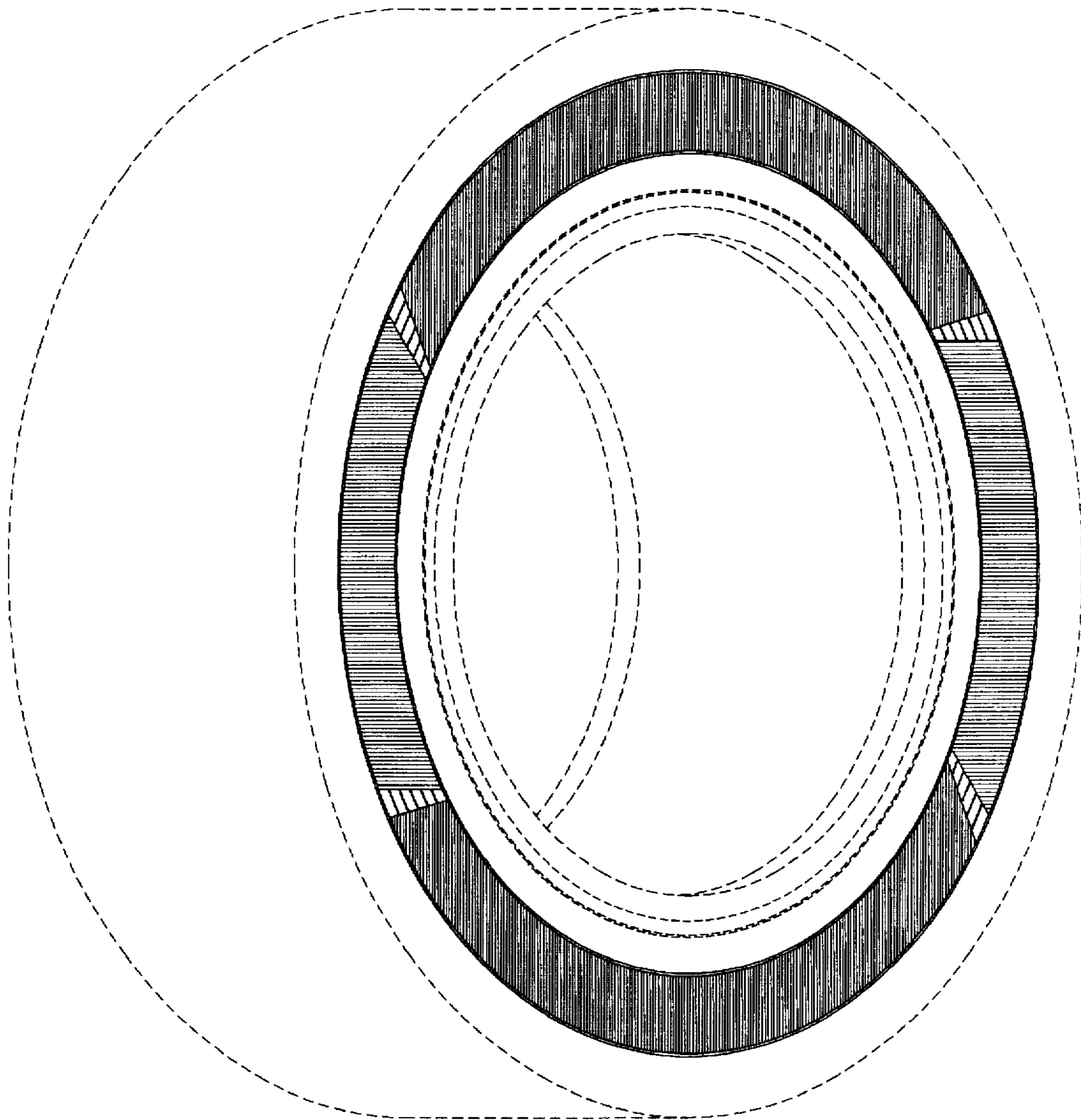


FIG-1

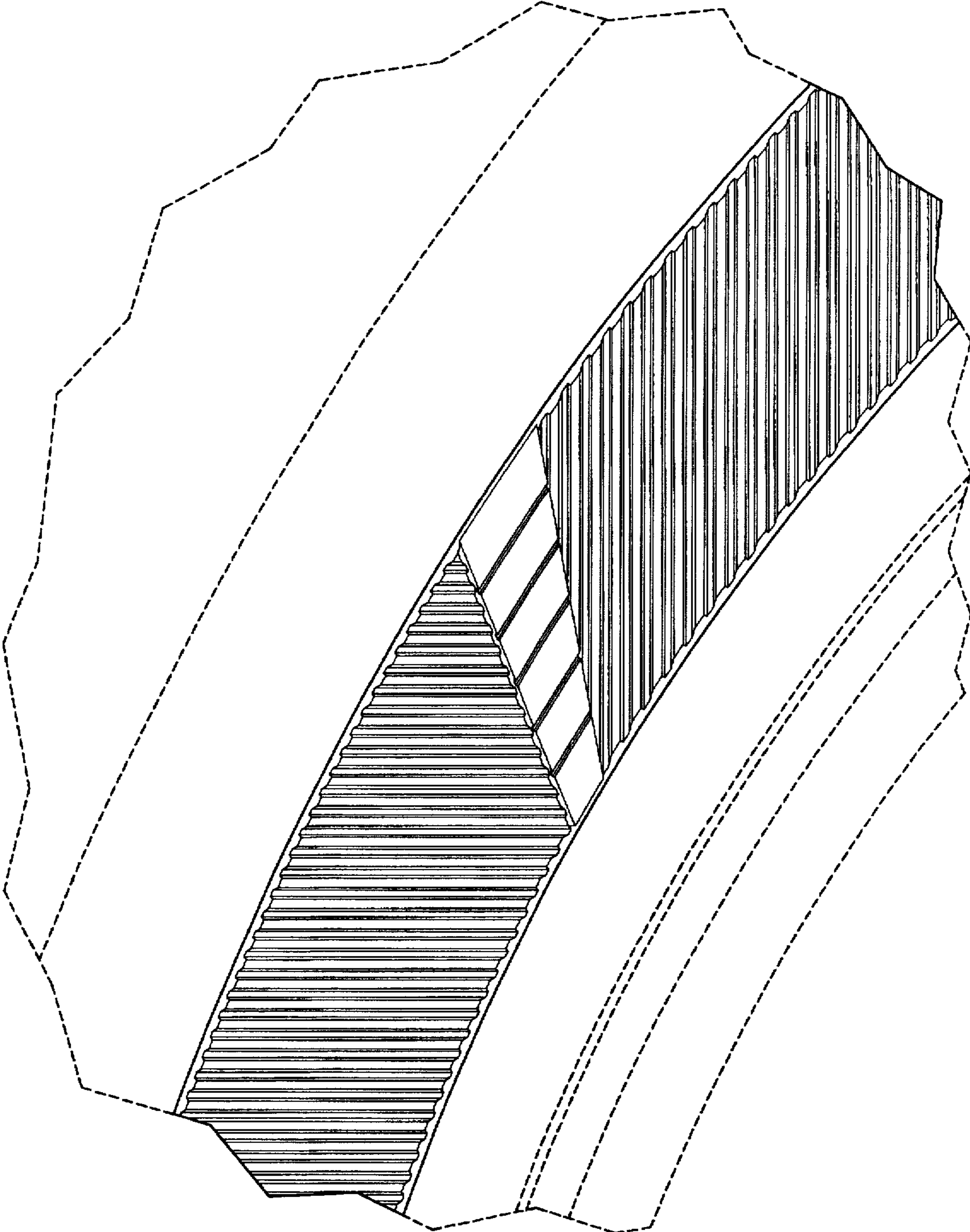


FIG-2

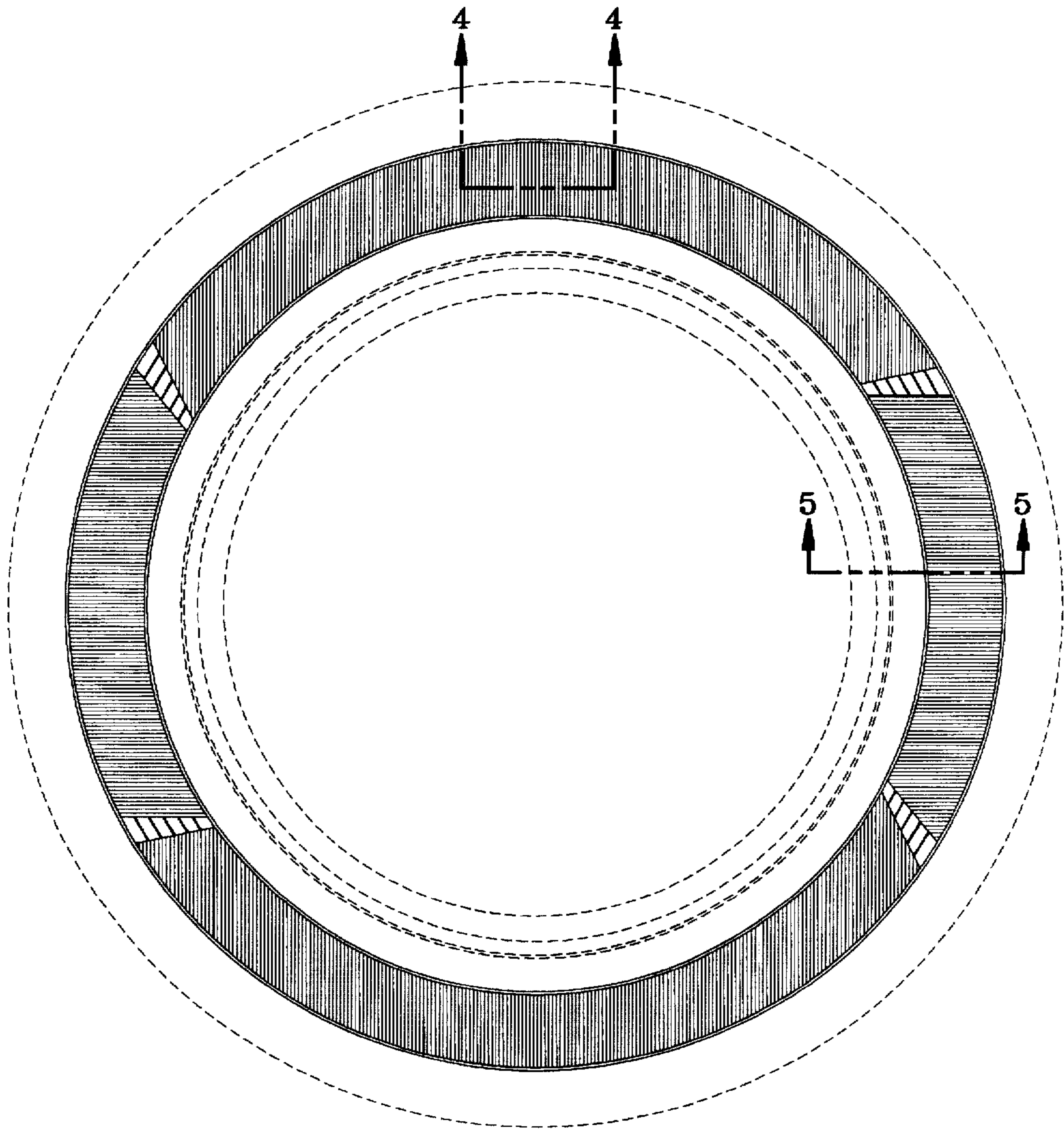


FIG-3

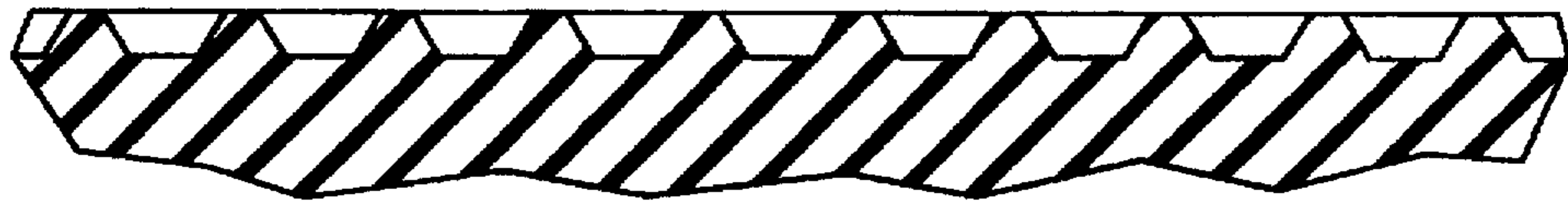


FIG-4

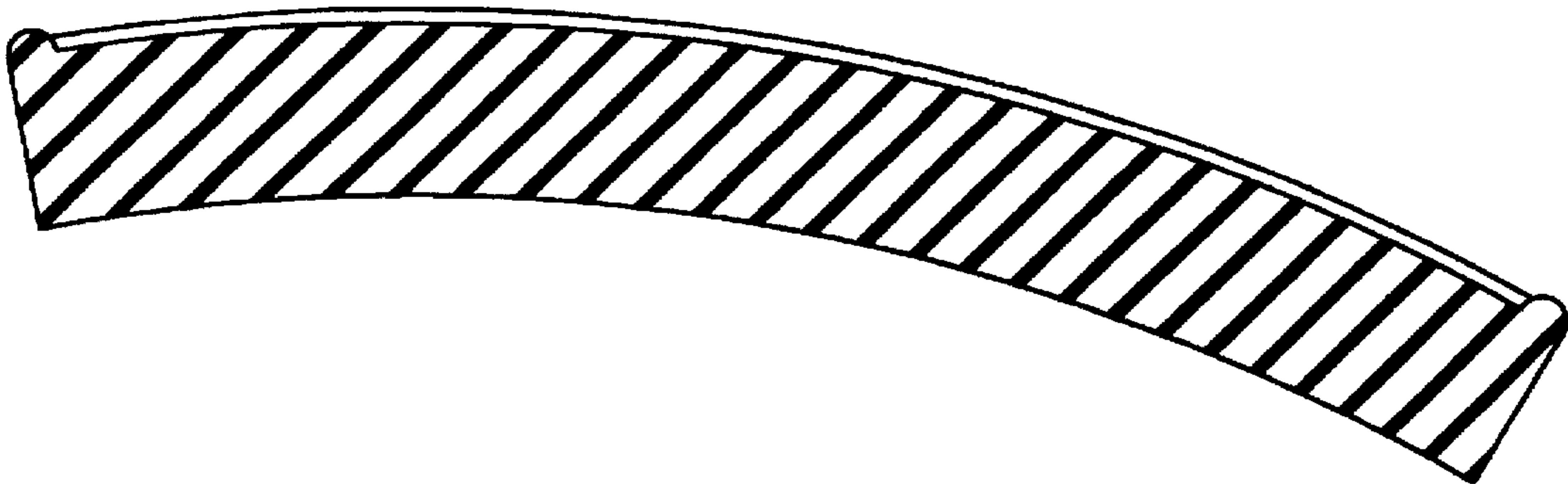


FIG-5