



US00D386453S

United States Patent [19]
Guspodin

[11] **Patent Number: Des. 386,453**
[45] **Date of Patent: **Nov. 18, 1997**

[54] **TIRE TREAD**

- [75] Inventor: **James G. Guspodin**, Akron, Ohio
- [73] Assignee: **Bridgestone/Firestone, Inc.**, Akron, Ohio
- [**] Term: **14 Years**
- [21] Appl. No.: **49,873**
- [22] Filed: **Feb. 2, 1996**
- [51] **LOC (6) Cl.** **12-15**
- [52] **U.S. Cl.** **D12/146**
- [58] **Field of Search** **D12/136, 138, 140, 146, 147, 148, 149, 150, 151; 152/209 D, 209 R**

[56] **References Cited**

U.S. PATENT DOCUMENTS

D. 299,330	1/1989	Wallet	D12/147
D. 306,844	3/1990	Wallet	D12/146
D. 312,236	11/1990	Wallet et al.	D12/147
D. 324,011	2/1992	Messer	D12/147
D. 324,012	2/1992	Janczak	D12/147
D. 326,074	5/1992	Himuro et al.	D12/147
D. 349,081	7/1994	Downey et al.	D12/147
D. 350,317	9/1994	Evraert	D12/147
D. 362,212	9/1995	McKisson	D12/146
D. 365,055	12/1995	McKisson	D12/146
D. 366,233	1/1996	Lassan et al.	D12/147

OTHER PUBLICATIONS

Michelin TRX Radial Tire, Modern Tire Dealer, Oct. 1975, p. 23.
Goodrich Touring T/A SR4 Tire, 1995 Tread Design Guide, p. 31, Jan. 1995.

Primary Examiner—James Gandy
Assistant Examiner—Robert M. Spear
Attorney, Agent, or Firm—Carmen S. Santa Maria

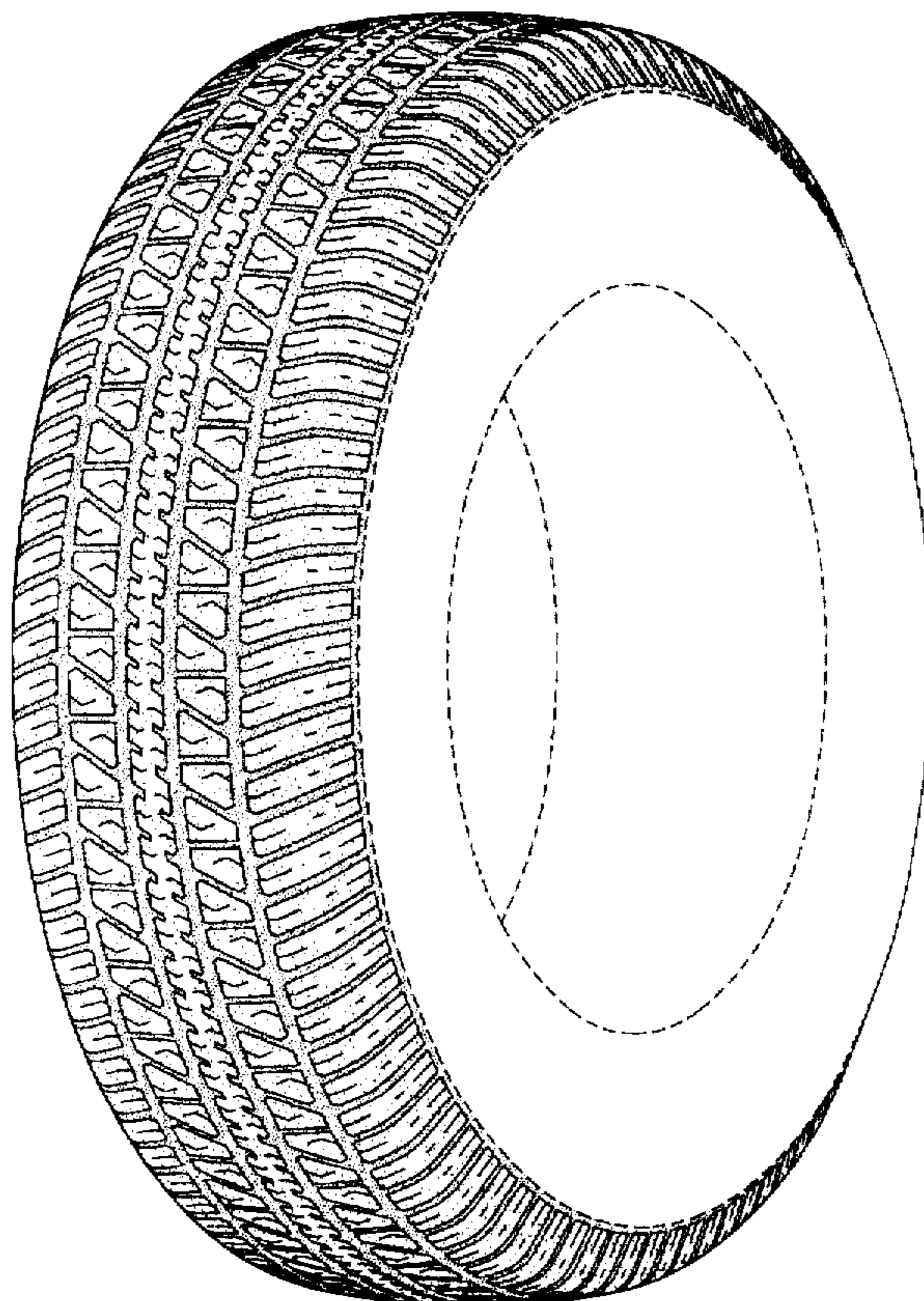
[57] **CLAIM**

The ornamental design for a tire tread, as shown and described.

DESCRIPTION

FIG. 1 is a perspective view of a tire tread showing our new design, it being understood that the tread pattern is repeated throughout the circumference of the tire tread, the opposite side being substantially the same as that shown; FIG. 2 is a front elevational view thereof; FIG. 3 is a side elevational view of the right side thereof, the opposite side being a mirror image thereof; and, FIG. 4 is an enlarged fragmentary front elevational view thereof. The dark stippled surface shading represents the recessed portion of the tread grooves, having a depth as best shown in FIG. 2; the broken lines defining the tire sidewall and inner bead are for illustrative purposes only and form no part of the claimed design.

1 Claim, 4 Drawing Sheets



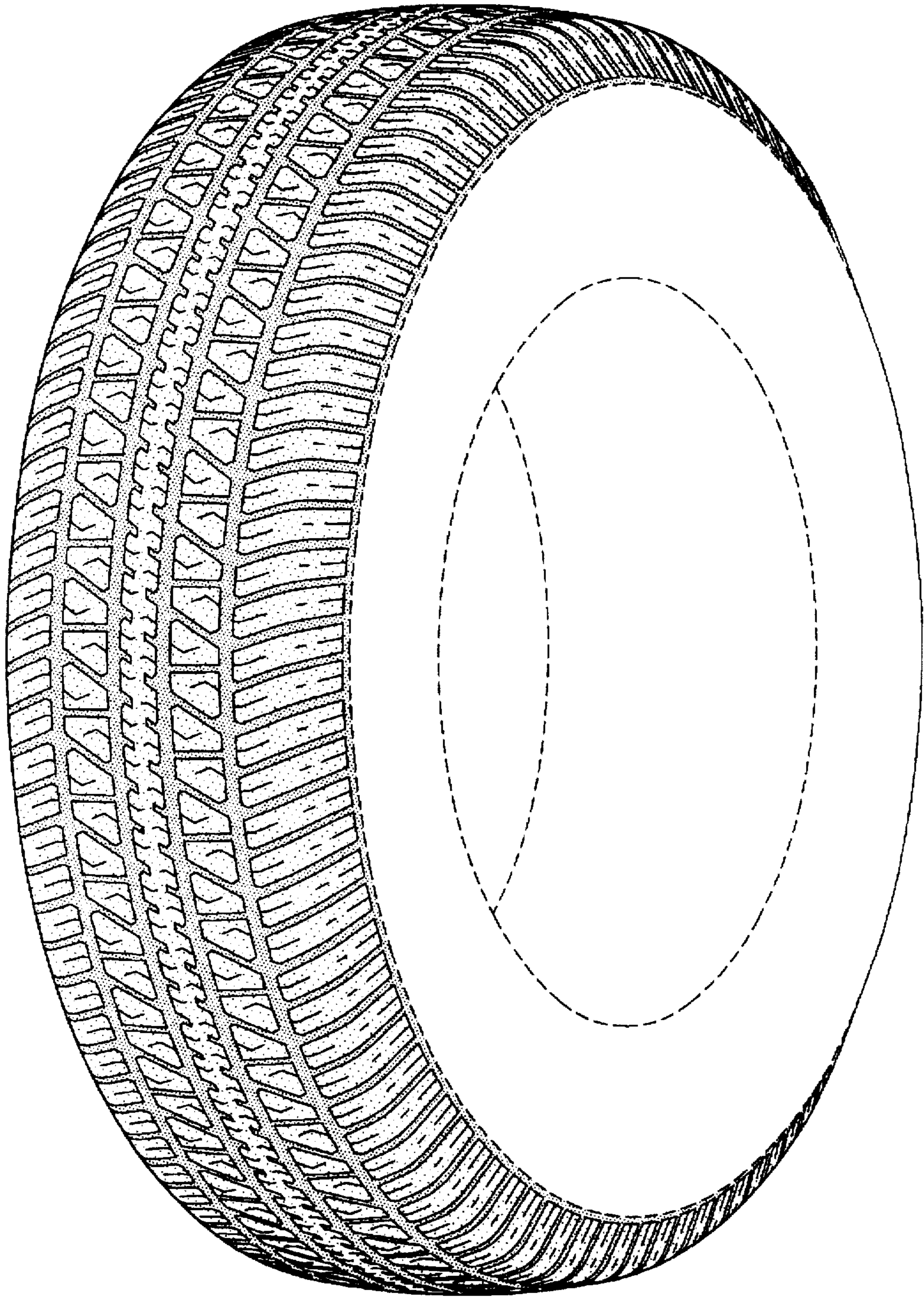


FIG-1

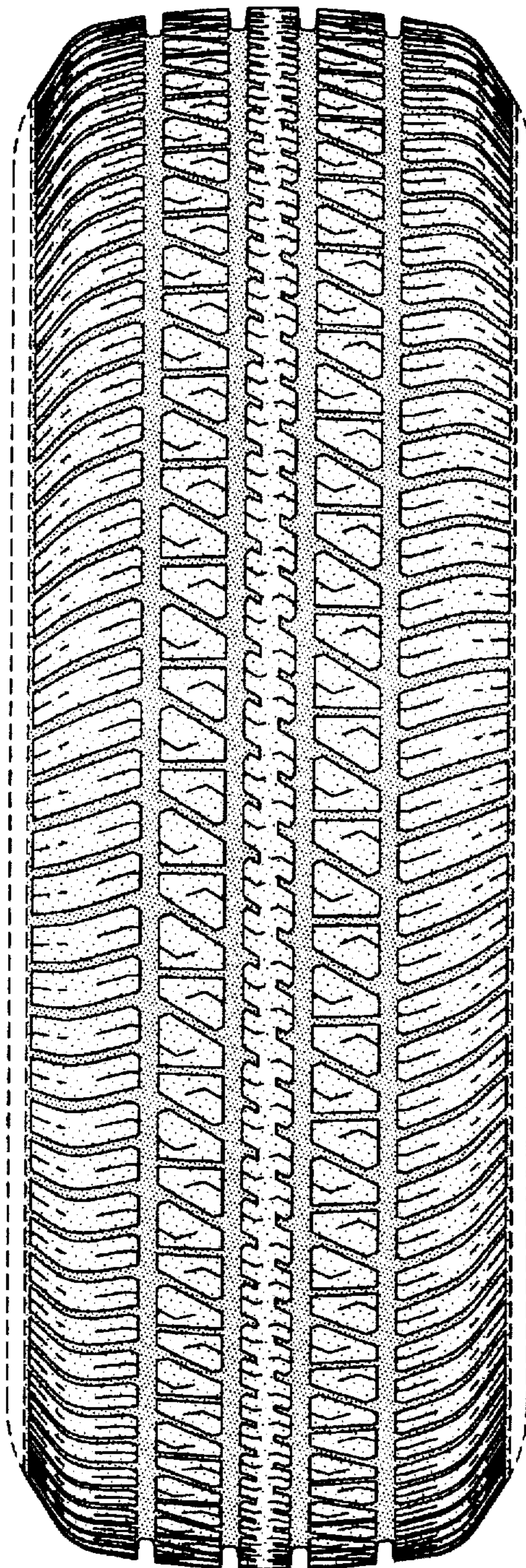


FIG-2

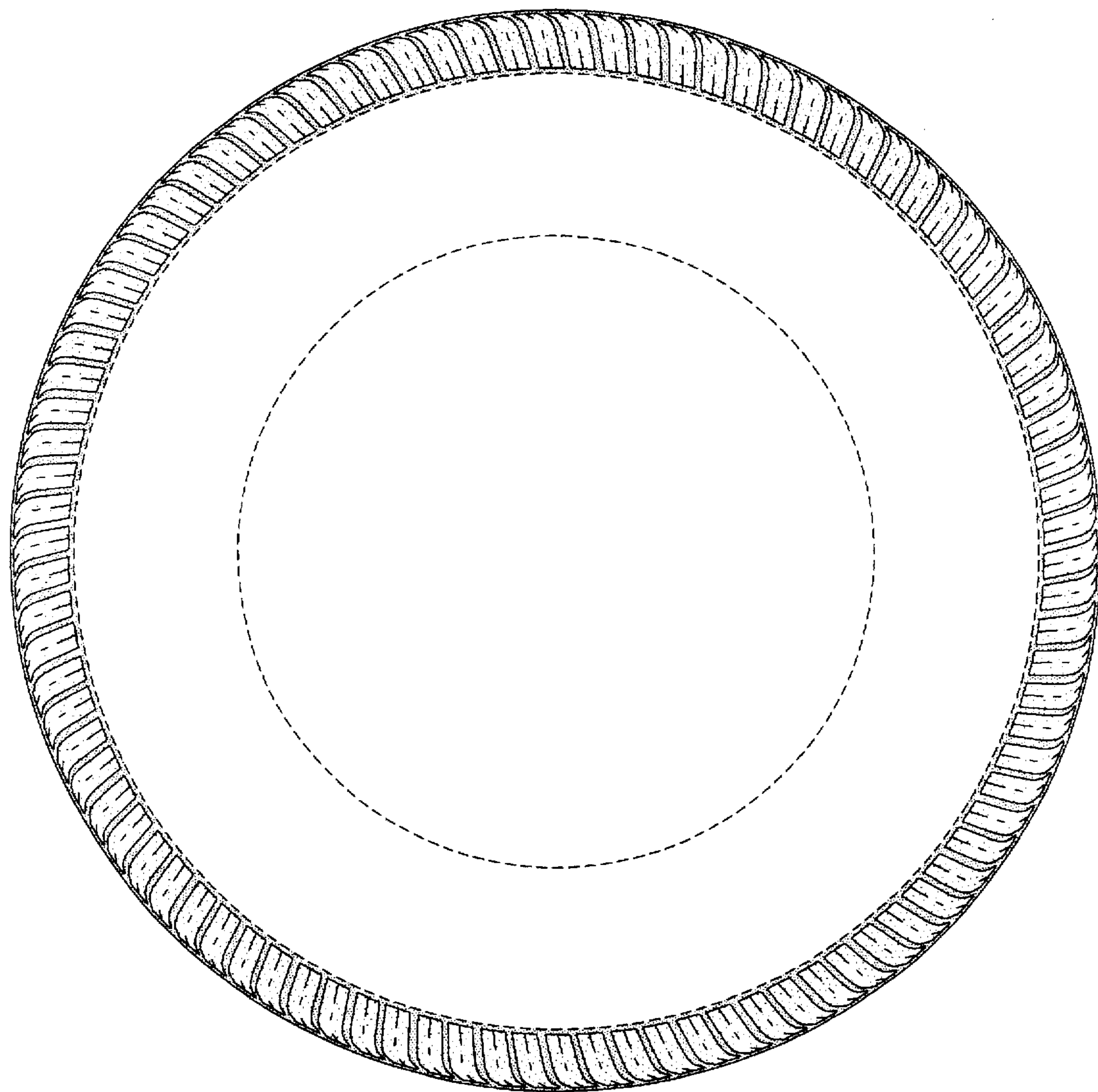


FIG-3

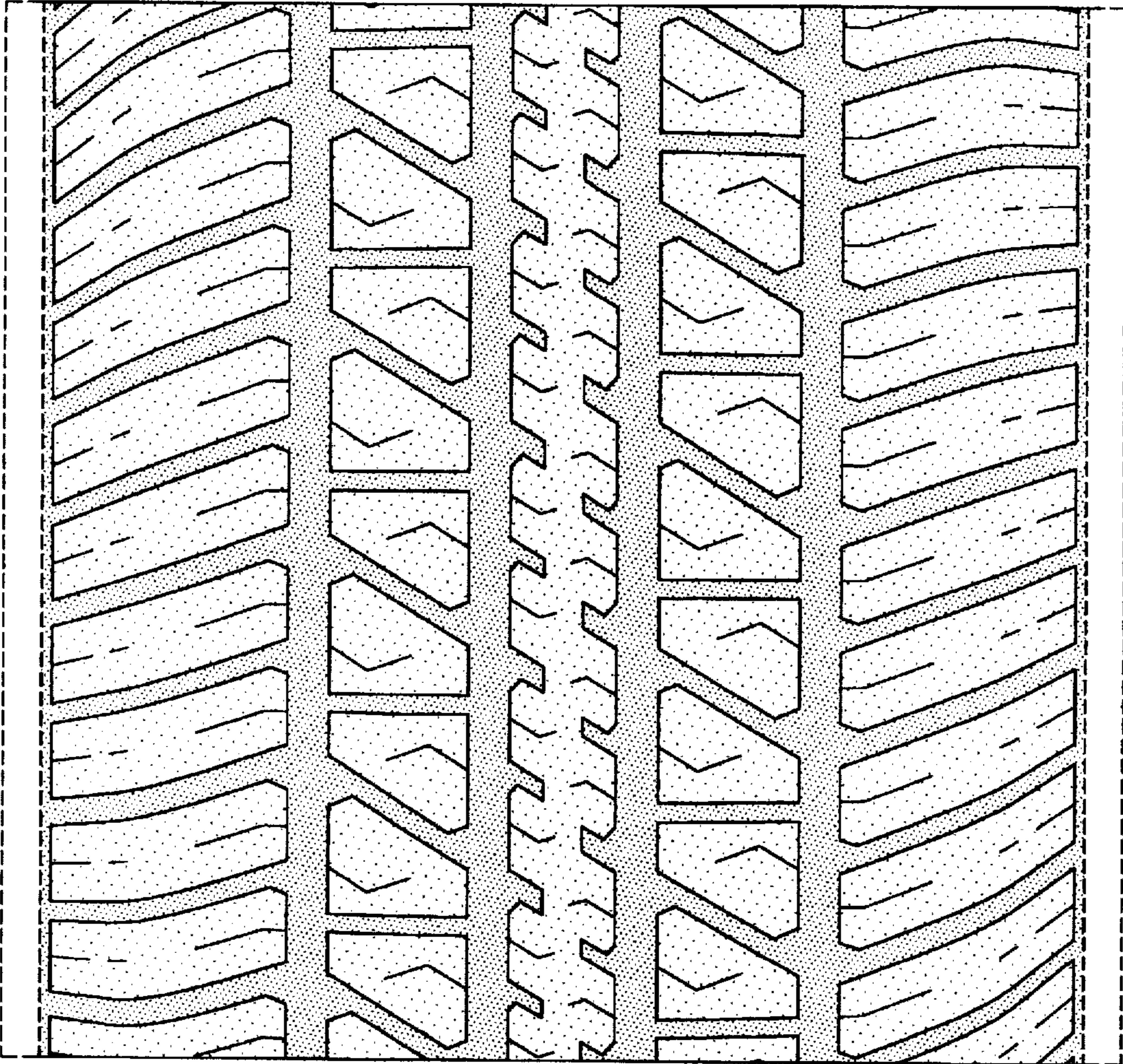


FIG-4