



US00D386451S

**United States Patent** [19]  
**Liao**

[11] **Patent Number: Des. 386,451**

[45] **Date of Patent: \*\*Nov. 18, 1997**

[54] **BICYCLE FRAME**

[75] **Inventor: Ping-Hsu Liao, Taichung City, Taiwan**

[73] **Assignee: Giant Manufacturing Co., Ltd.,  
Taichung Hsien, Taiwan**

[\*\*] **Term: 14 Years**

[21] **Appl. No.: 63,303**

[22] **Filed: Nov. 15, 1996**

[51] **LOC (6) Cl. .... 12-11**

[52] **U.S. Cl. .... D12/111**

[58] **Field of Search ..... D12/111; 280/281.1,  
280/288.1-288.3**

[56] **References Cited**

**U.S. PATENT DOCUMENTS**

D. 359,935 7/1995 Thompson ..... D12/111

D. 365,048 12/1995 Fany ..... D12/111

D. 368,678 4/1996 Wilcox et al. .... D12/111  
D. 372,212 7/1996 Dietz et al. .... D12/111

*Primary Examiner*—Melody N. Brown  
*Attorney, Agent, or Firm*—Harness, Dickey & Pierce, P.L.C.

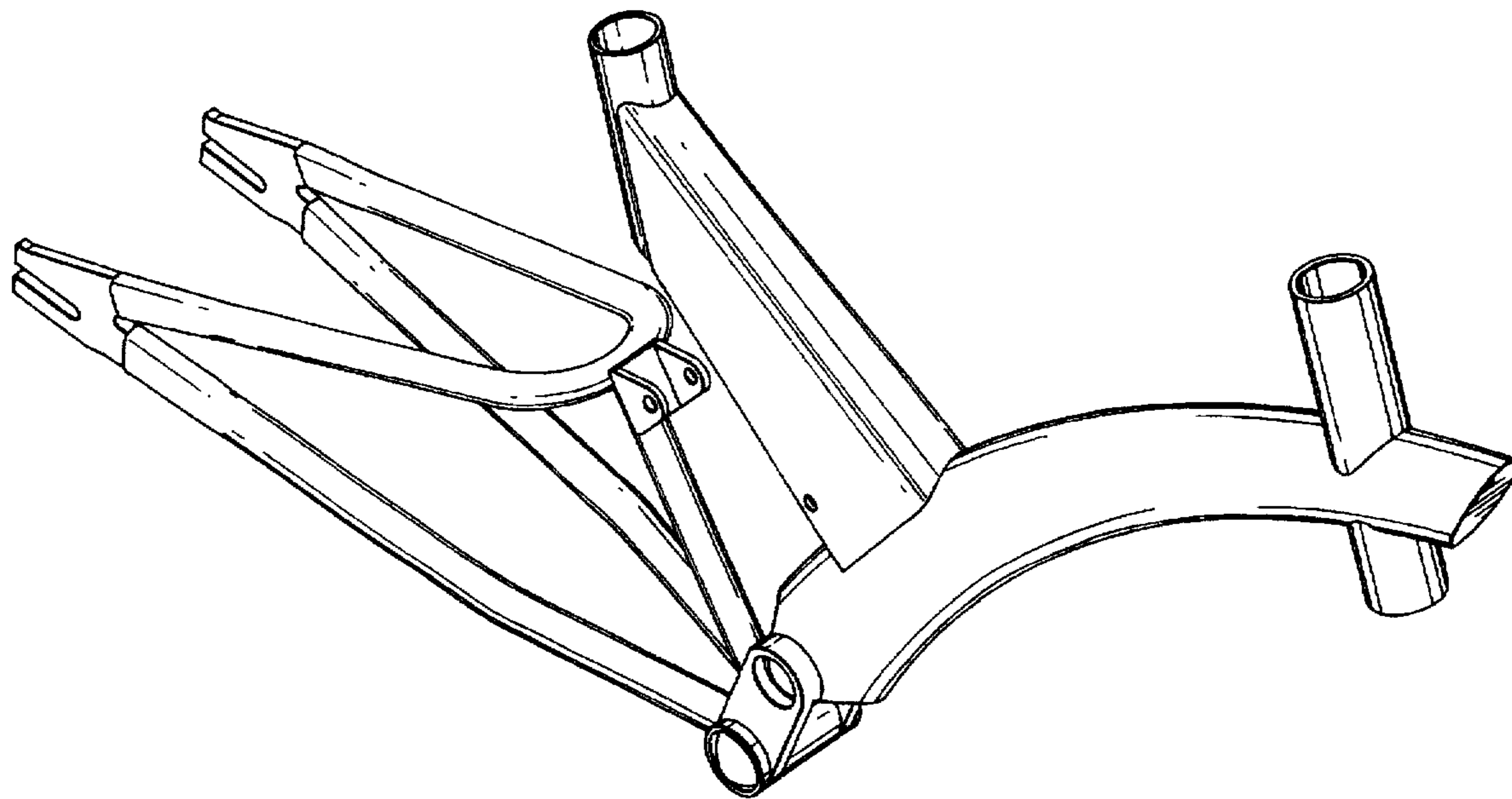
[57] **CLAIM**

The ornamental design for a bicycle frame, as shown and described.

**DESCRIPTION**

FIG. 1 is a perspective view of bicycle frame showing my new design;  
FIG. 2 is a front elevational view thereof;  
FIG. 3 is a rear elevational view thereof;  
FIG. 4 is a left side elevational view thereof;  
FIG. 5 is a right side elevational view thereof;  
FIG. 6 is a top plan view thereof; and,  
FIG. 7 is a bottom plan view thereof.

**1 Claim, 4 Drawing Sheets**



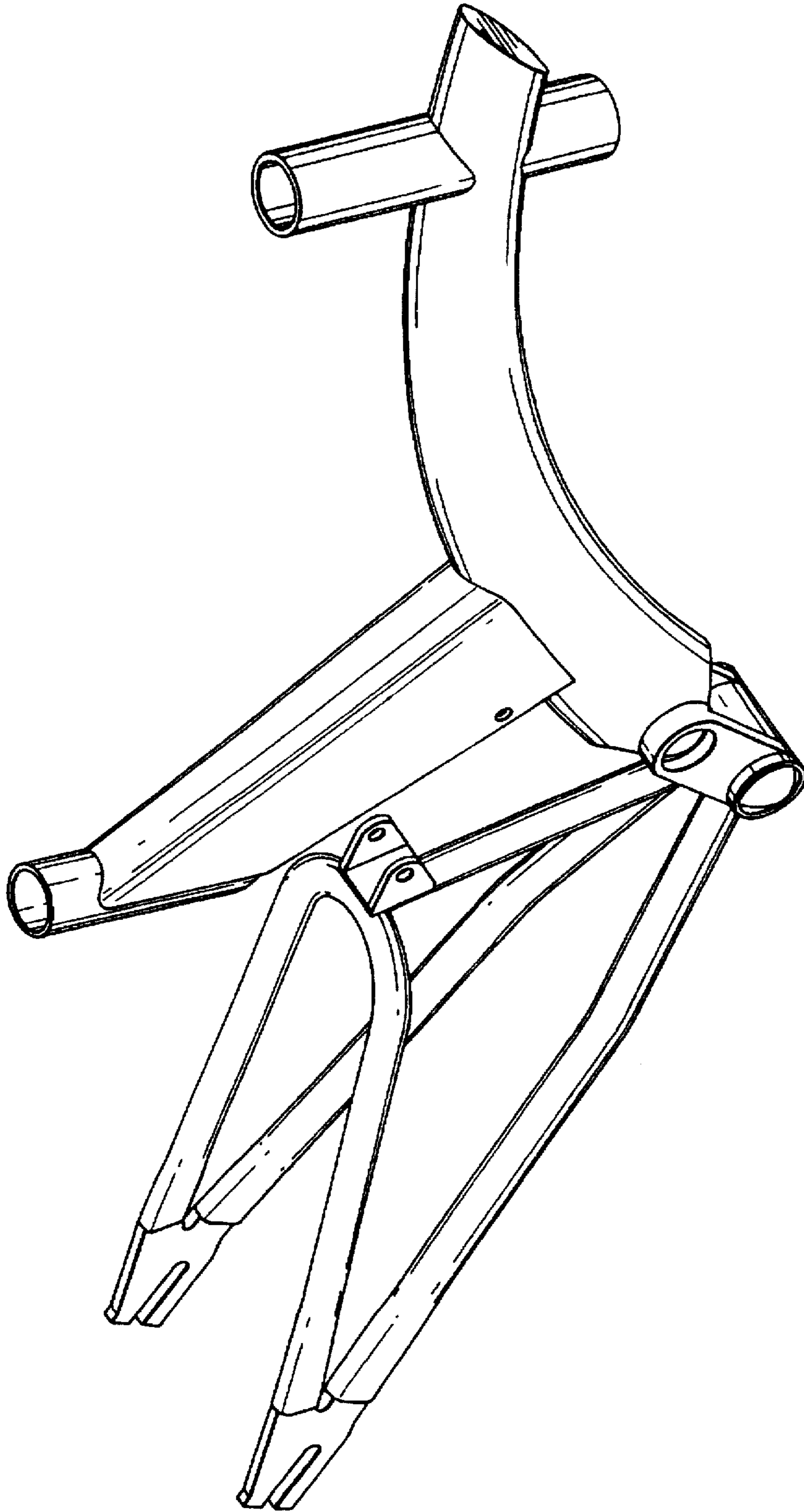


FIG. 1

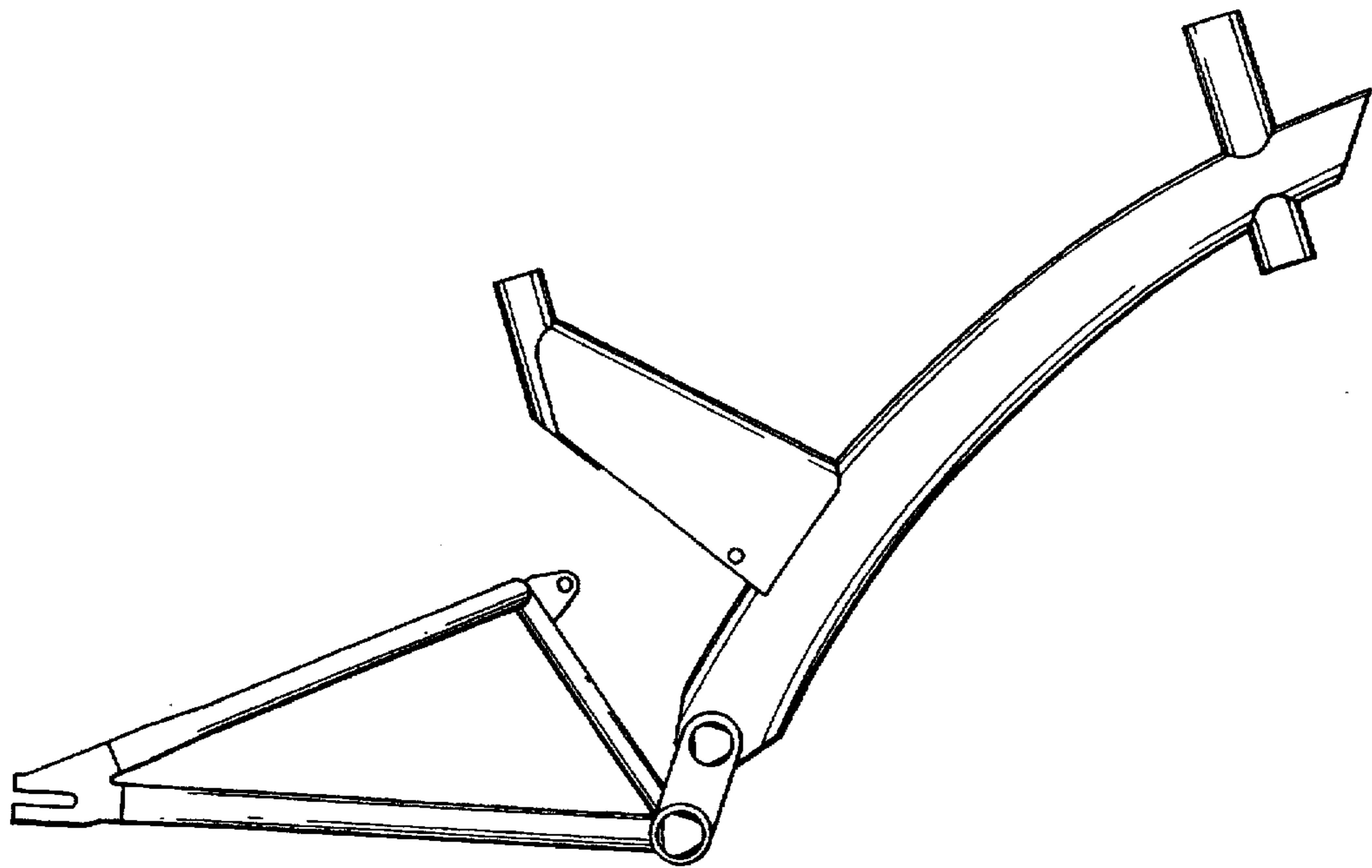


FIG. 2

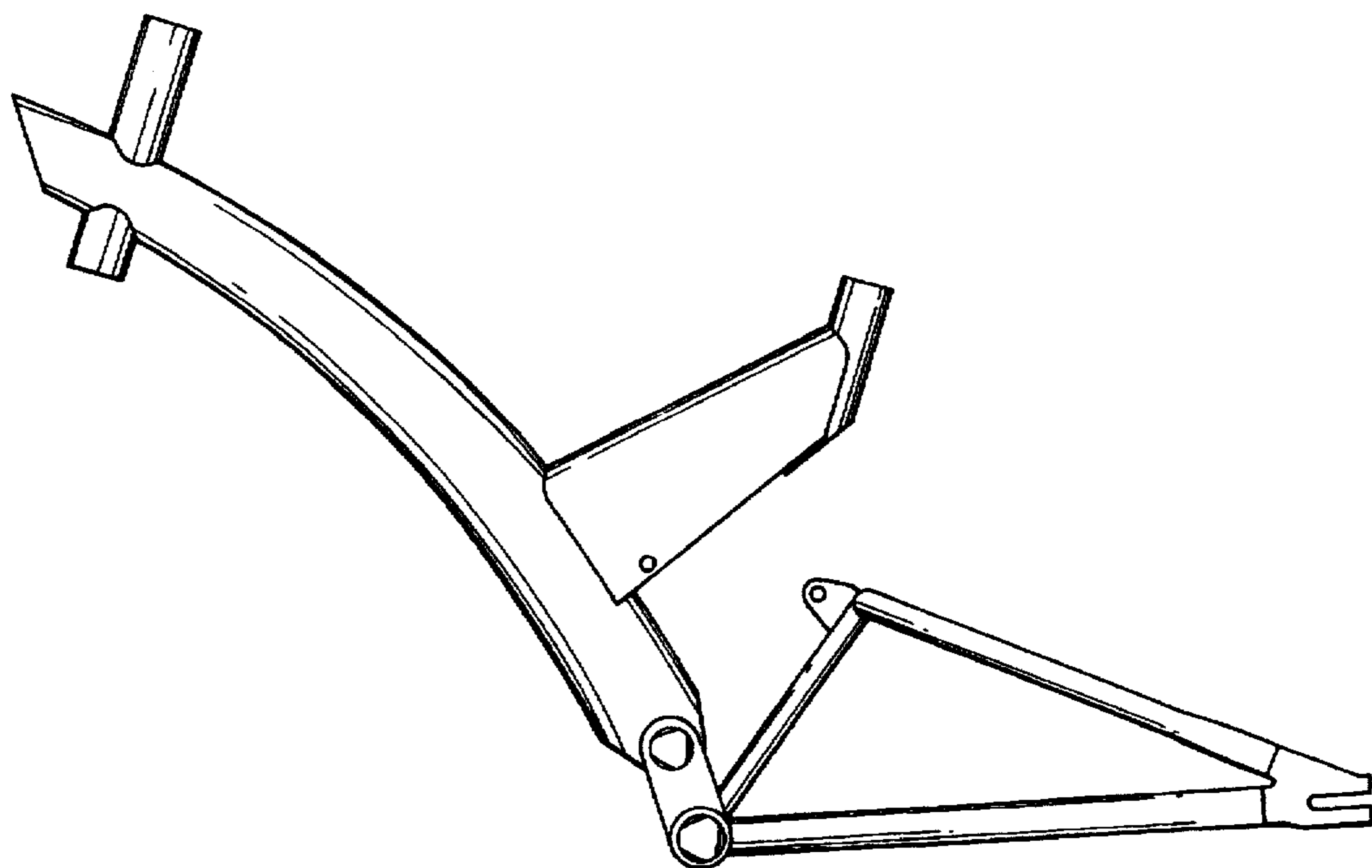


FIG. 3

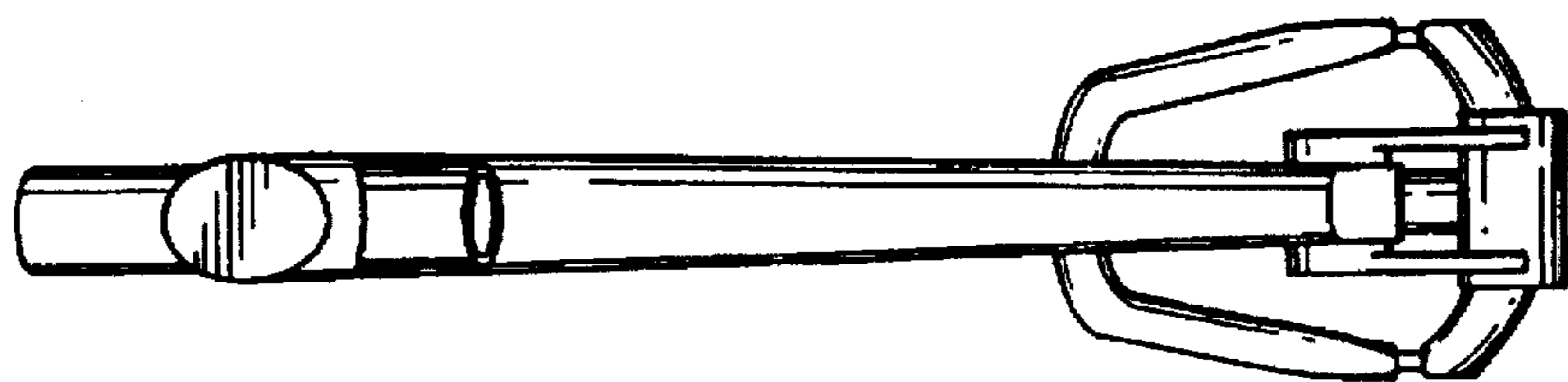


FIG. 5

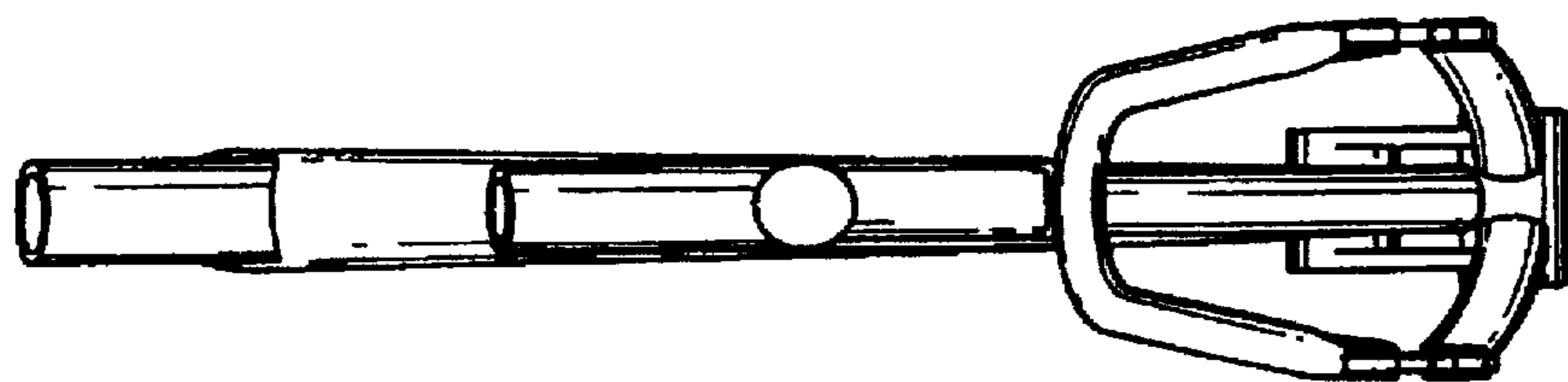


FIG. 4

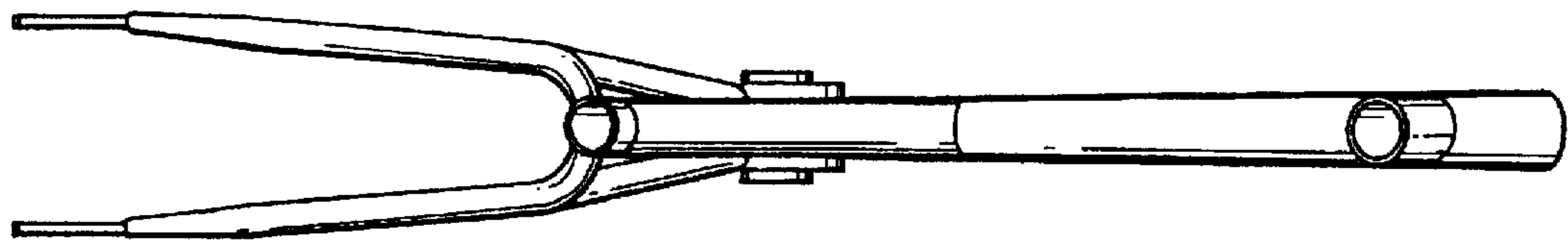


FIG. 6

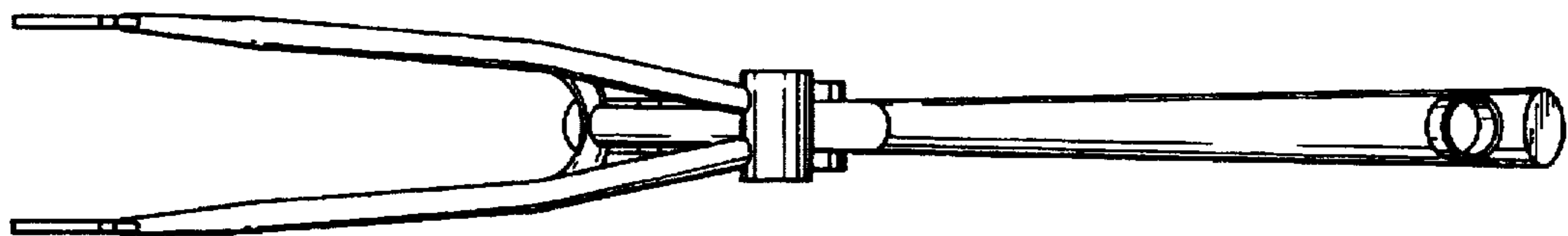


FIG. 7