



US00D386450S

# United States Patent [19] Benmiloud

[11] Patent Number: **Des. 386,450**  
[45] Date of Patent: **\*\*Nov. 18, 1997**

[54] **REFUSE BIN GRABBER**  
[75] Inventor: **Ahmed Saad Benmiloud**, Alameda, Calif.  
[73] Assignee: **Paint Productions, Inc.**, Hayward, Calif.  
[\*\*] Term: **14 Years**

4,730,864 3/1988 Sample ..... D12/15 X  
5,209,537 5/1993 Smith et al. .  
5,266,000 11/1993 LeBlanc, Jr. .... 414/408  
5,330,308 7/1994 Armando et al. .  
5,360,310 11/1994 Jones et al. .  
5,425,613 6/1995 Osborn ..... 414/406

*Primary Examiner*—Doris V. Coles  
*Assistant Examiner*—Catherine R. Oliver  
*Attorney, Agent, or Firm*—Donald L. Beeson

[21] Appl. No.: **50,029**  
[22] Filed: **Feb. 7, 1996**

### [57] CLAIM

[51] **LOC (6) Cl.** ..... **12-08**  
[52] **U.S. Cl.** ..... **D12/15**  
[58] **Field of Search** ..... D12/15; 414/406,  
414/408, 621; 294/86.4, 87.1, 88, 106,  
111

The ornamental design for a refuse bin grabber, as shown and described.

### DESCRIPTION

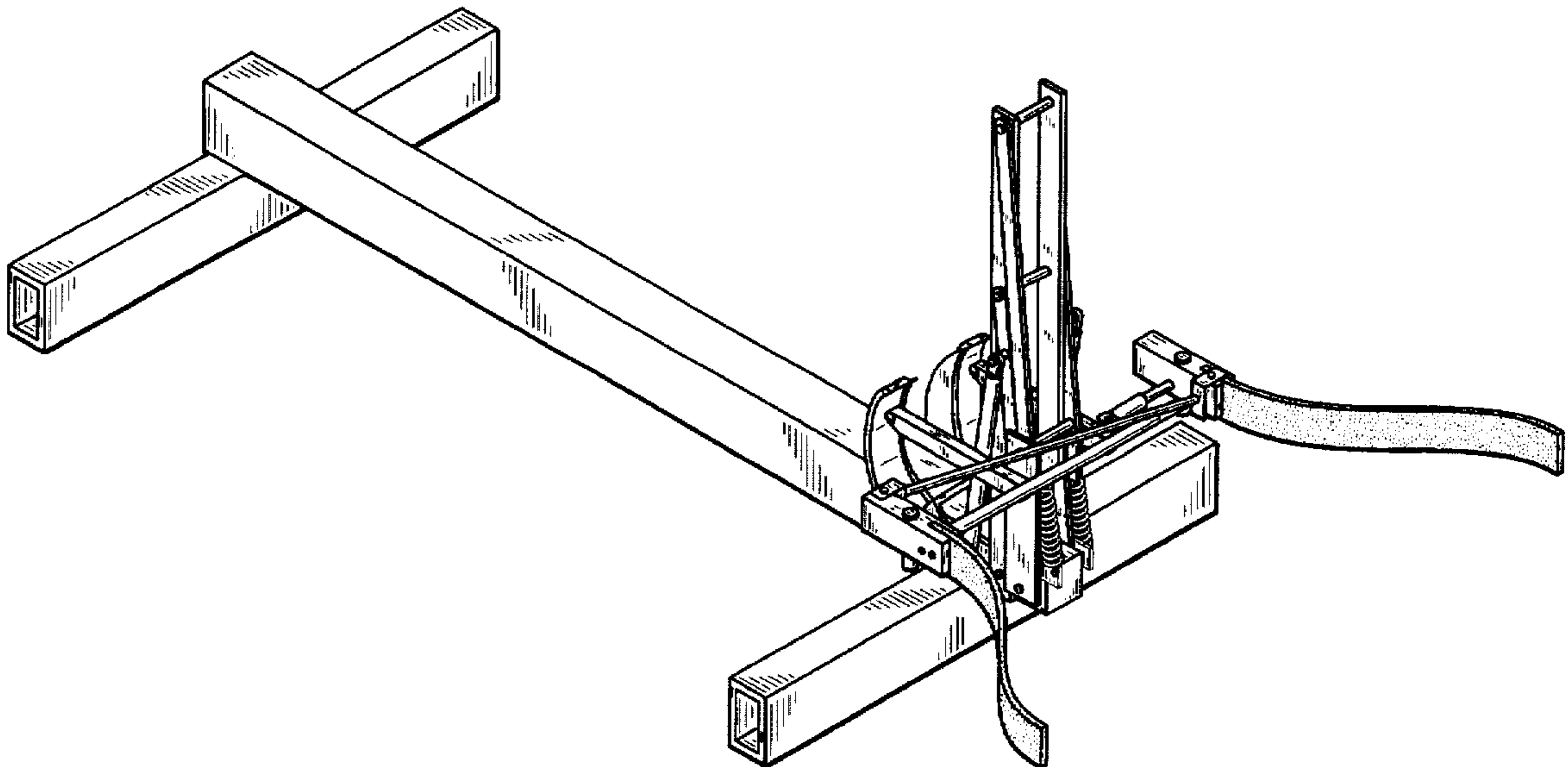
### [56] References Cited

#### U.S. PATENT DOCUMENTS

4,090,628 5/1978 Sinclair ..... 414/621 X  
4,401,407 8/1983 Breckenridge .  
4,461,608 7/1984 Boda .  
4,627,783 12/1986 De Filippi ..... D12/15 X  
4,708,570 11/1987 Smith et al. .  
4,726,726 2/1988 Dossena et al. .... D12/15 X  
4,726,729 2/1988 Olson et al. .... 414/621

FIG. 1 is a top perspective view of a refuse bin grabber in accordance with my new design;  
FIG. 2 is a side elevational view thereof; the opposite side being a mirror image thereof;  
FIG. 3 is a front elevational view thereof;  
FIG. 4 is a top plan view thereof;  
FIG. 5 is a rear elevation view thereof; and,  
FIG. 6 is a bottom plan view.  
The broken line showing of environment in FIG. 2 is for illustrative purposes and forms no part of the claim design.

**1 Claim, 5 Drawing Sheets**



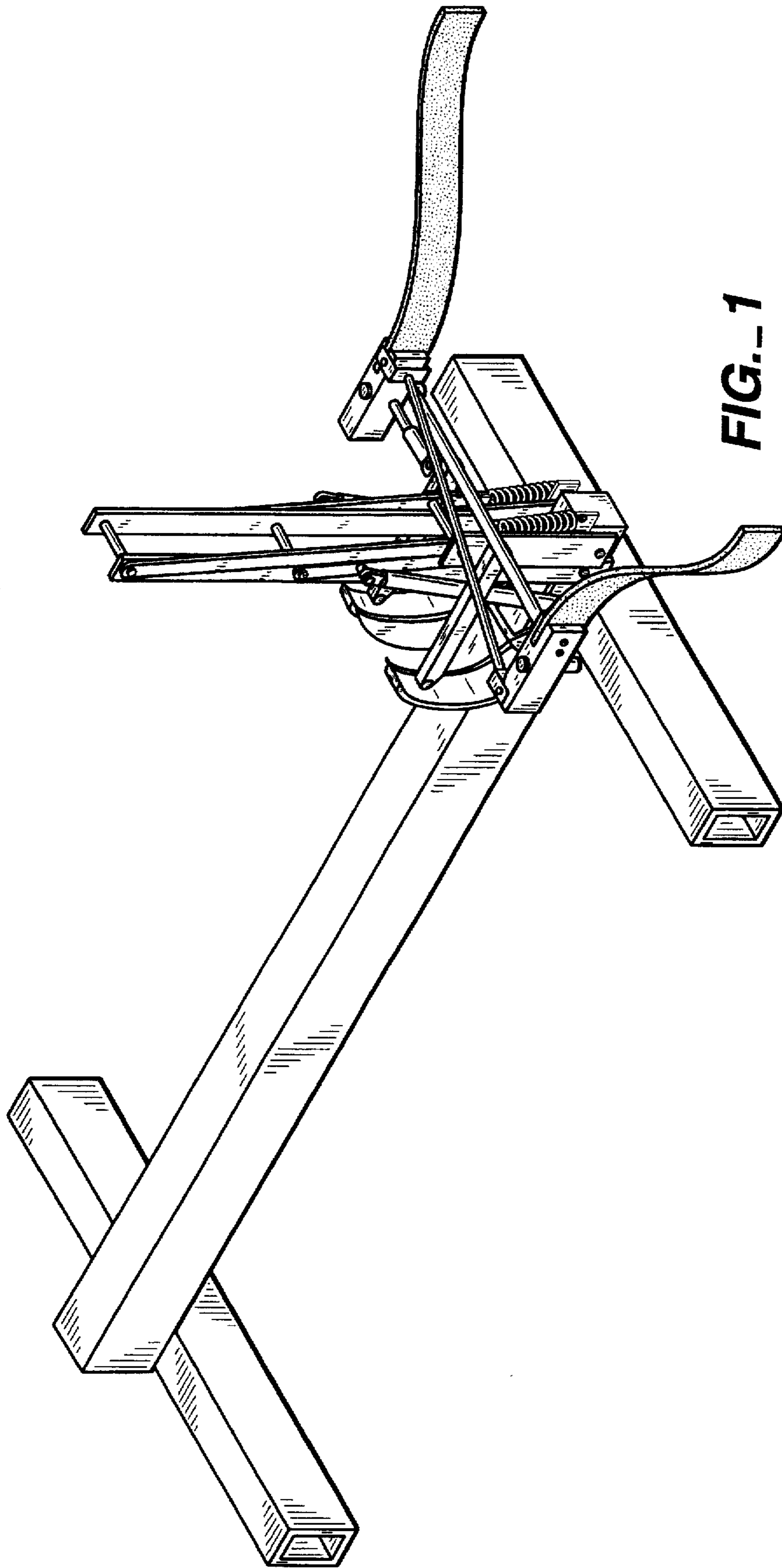
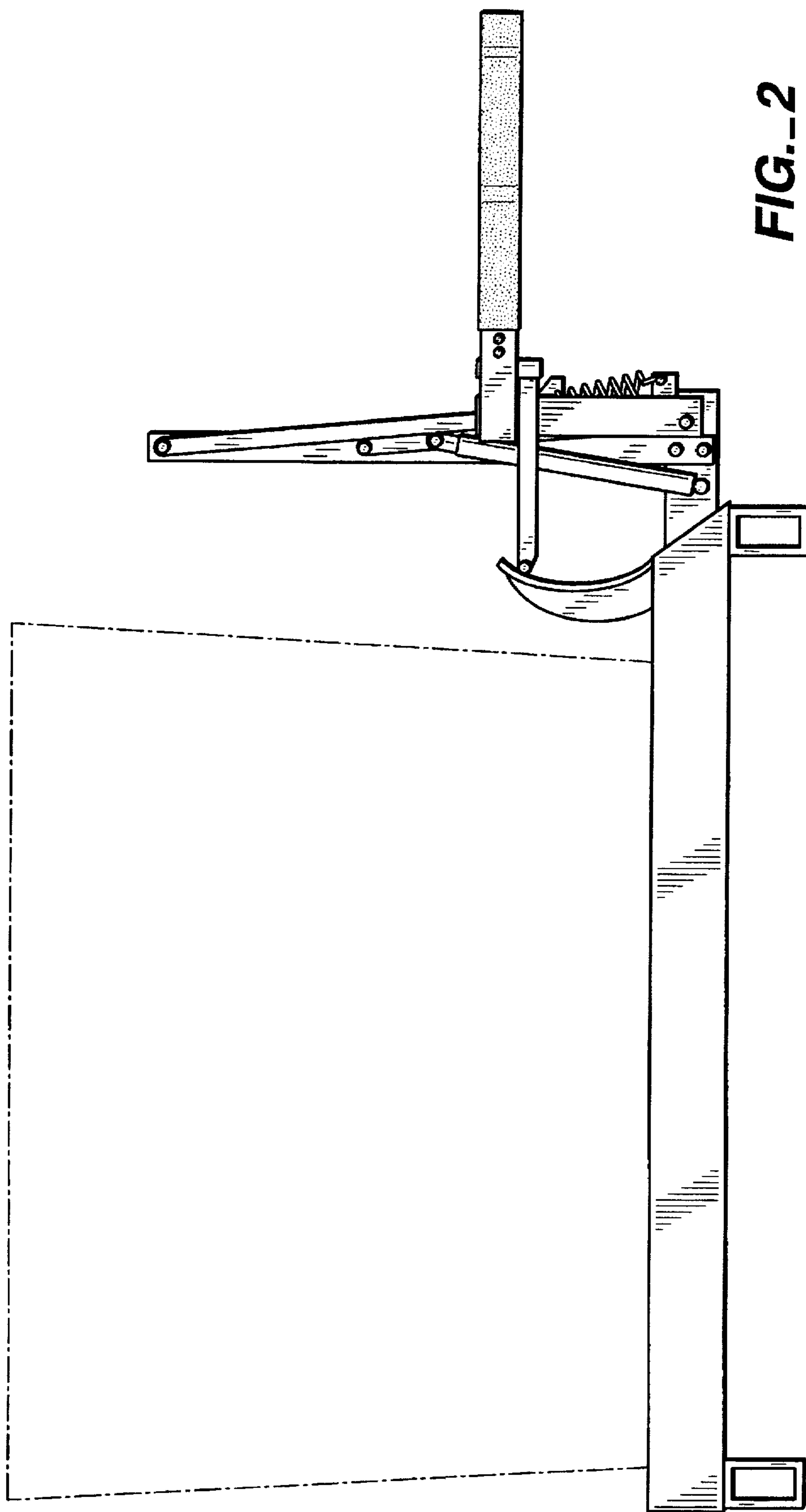


FIG. 1



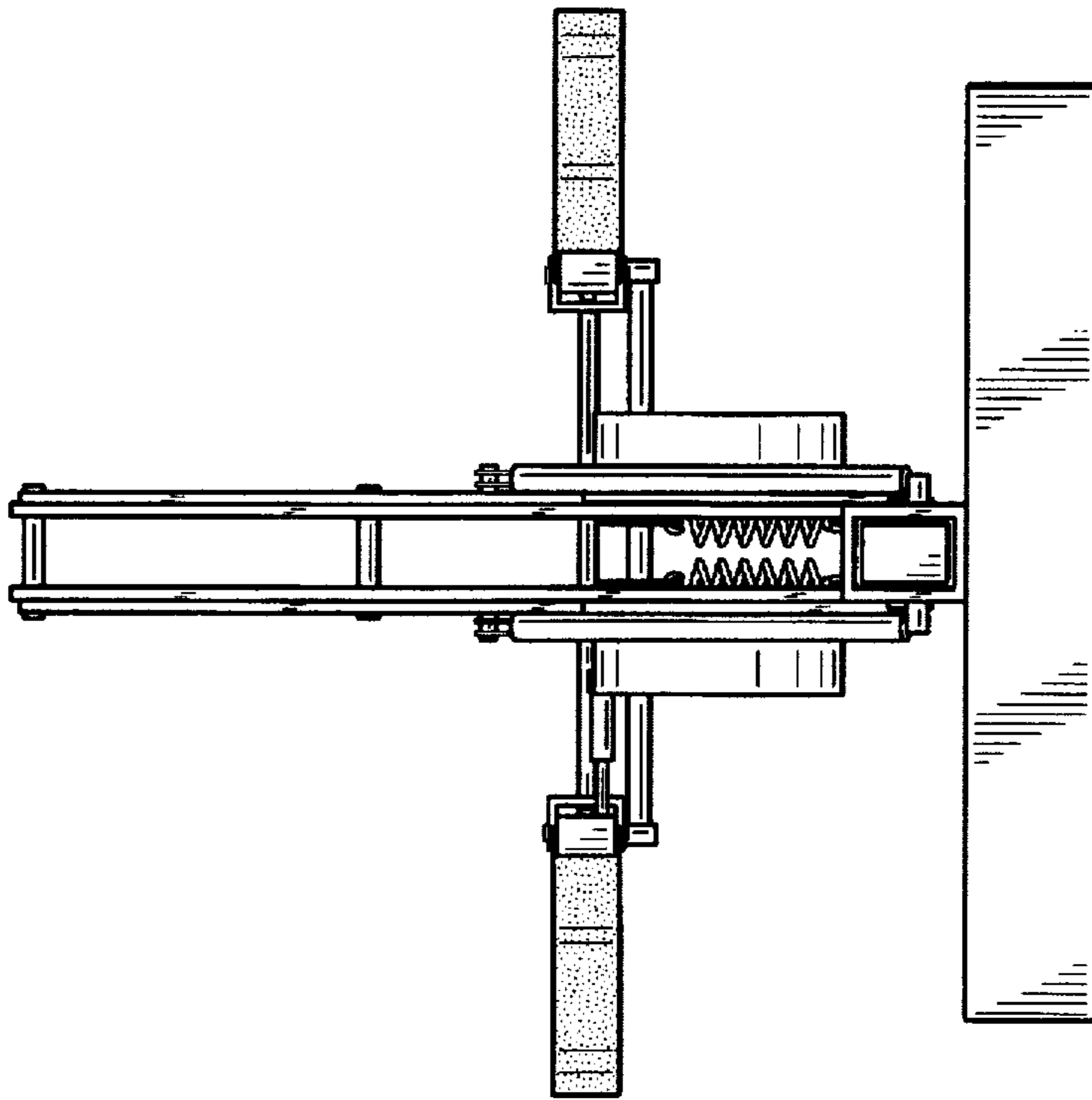


FIG. 5

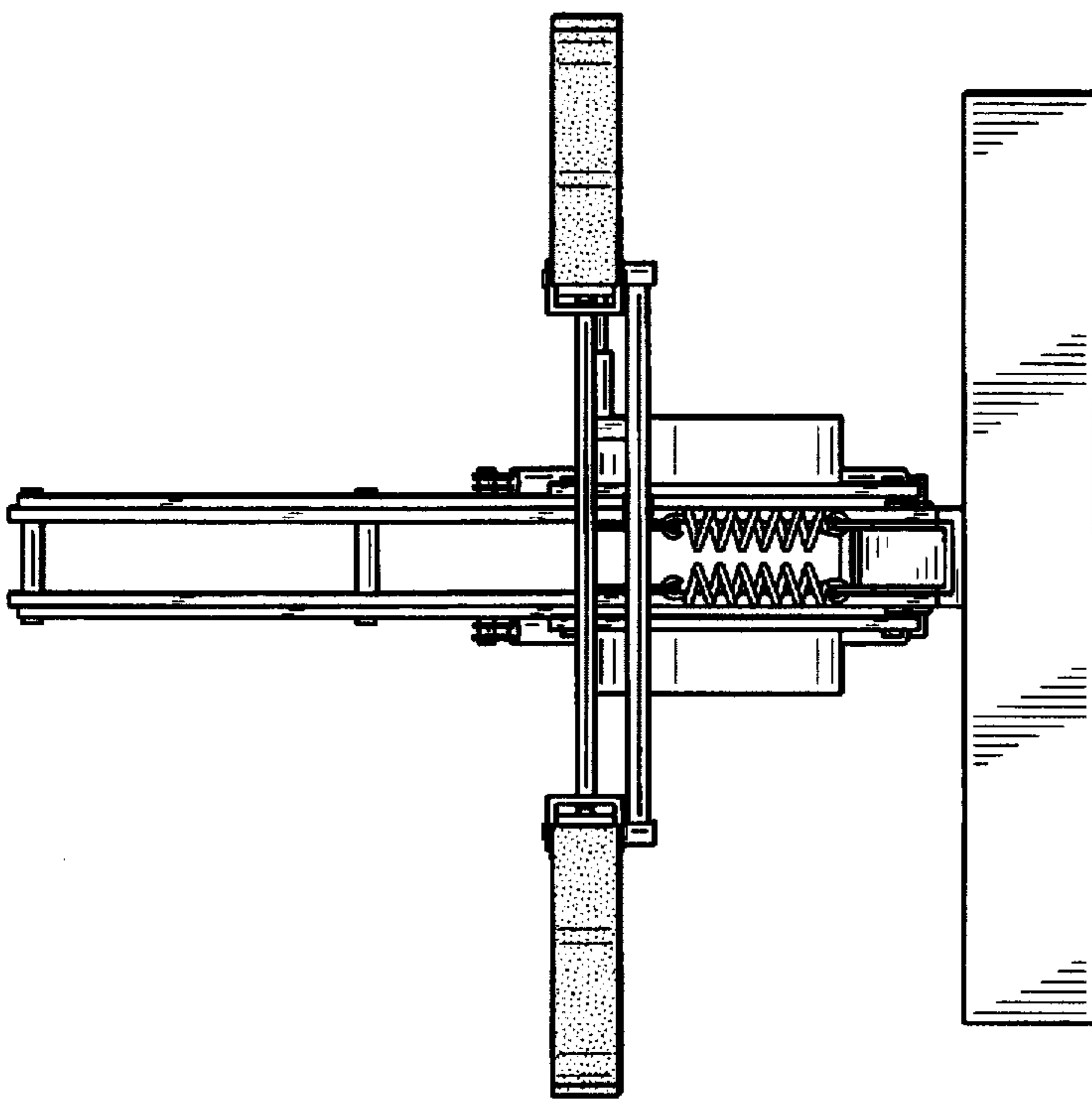


FIG. 3

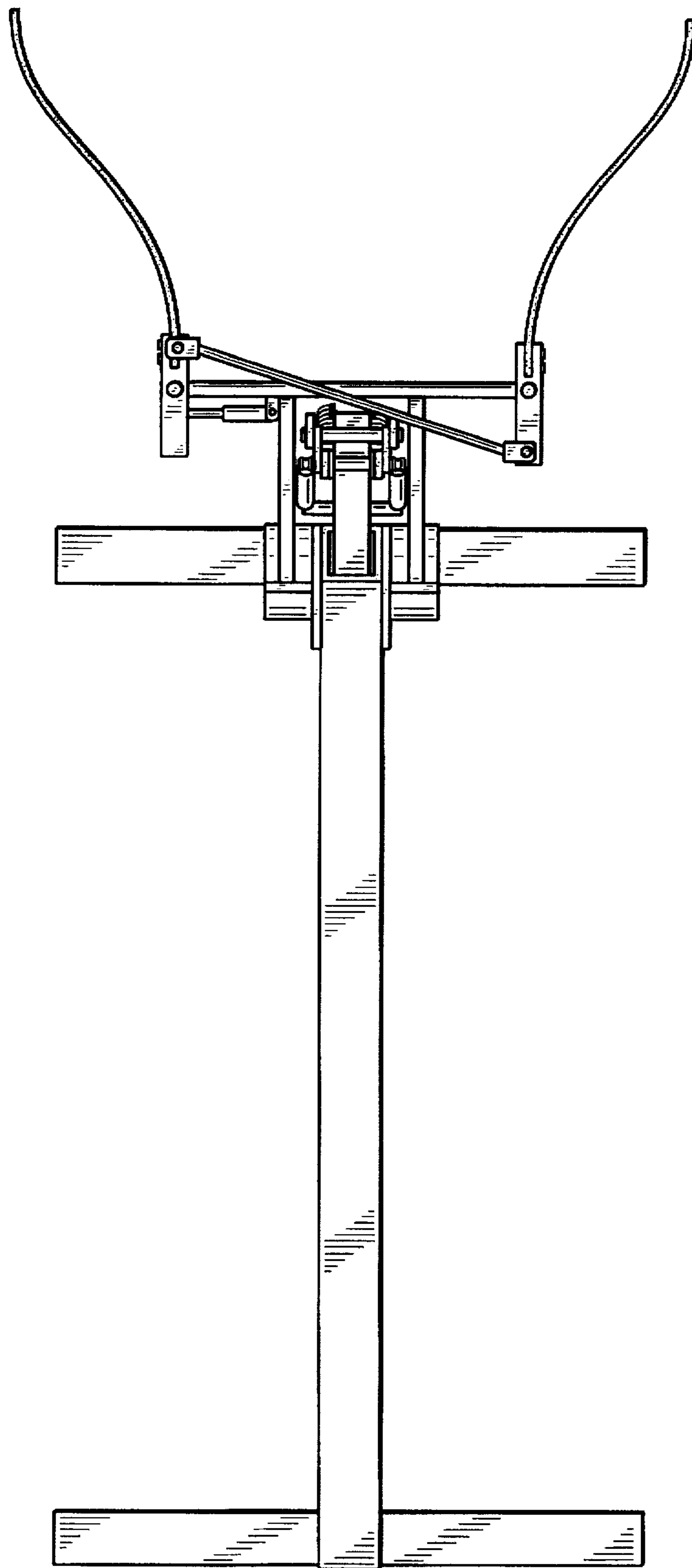


FIG. 4

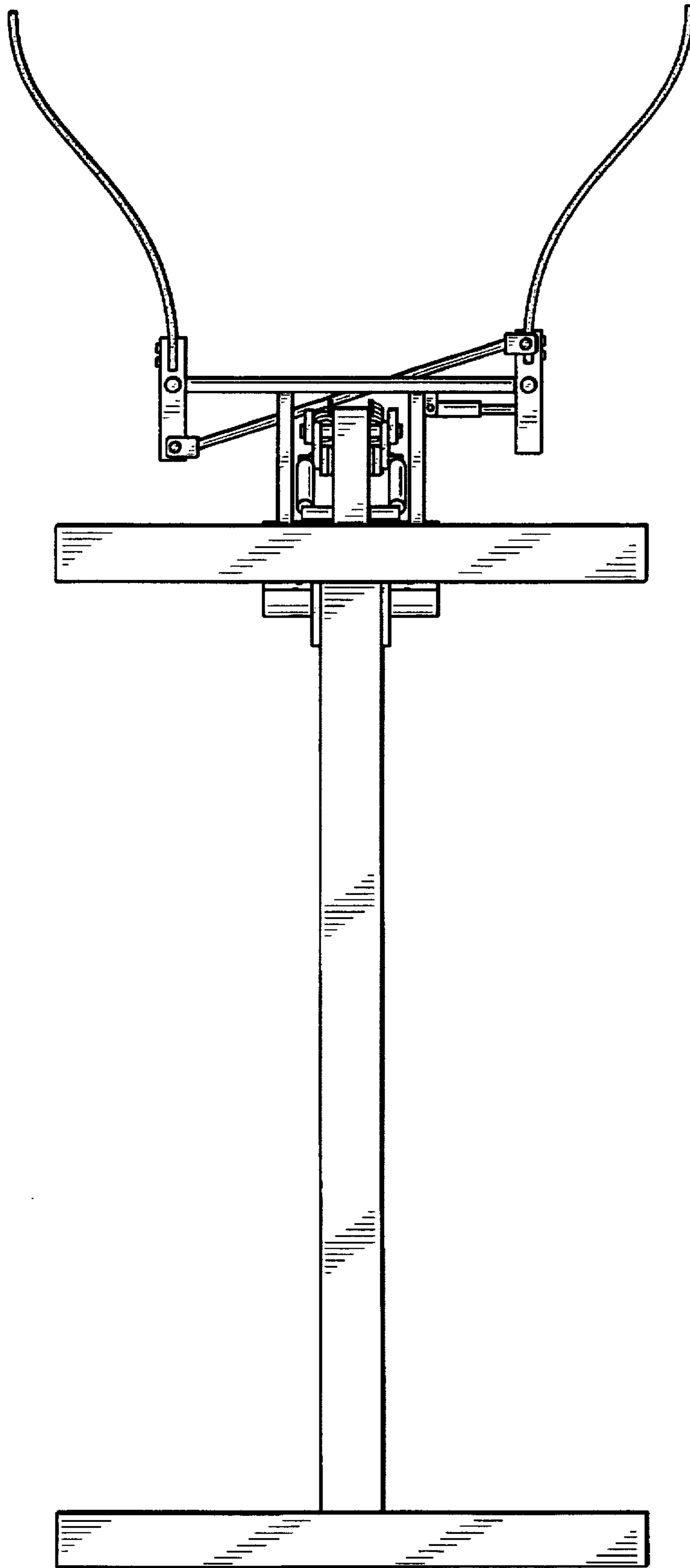


FIG. 6