

US00D386443S

United States Patent [19]
Itzkowitz

[11] **Patent Number:** **Des. 386,443**
[45] **Date of Patent:** ****Nov. 18, 1997**

[54] **JEWELRY SETTING**

[75] **Inventor:** **Israel Itzkowitz**, N. Hollywood, Calif.

[73] **Assignee:** **Ambar Diamonds, Inc.**, Los Angeles, Calif.

[**] **Term:** **14 Years**

[21] **Appl. No.:** **55,188**

[22] **Filed:** **May 31, 1996**

[51] **LOC (6) Cl.** **11-01**

[52] **U.S. Cl.** **D11/91**

[58] **Field of Search** D11/1, 2, 34-37,
D11/79, 86-92; 63/1.1, 2, 26, 27, 29.1

[56] **References Cited**

U.S. PATENT DOCUMENTS

D. 7,254	4/1874	Cottle	D11/91
D. 12,579	11/1881	Reynolds	D11/91
D. 68,178	9/1925	Götl et al.	D1/35
D. 77,359	1/1929	Herzog et al.	D11/35
D. 101,947	11/1936	Hagerstrom	D11/35
775,030	11/1904	Fairbrother	D11/91
813,084	2/1906	Dover	D11/91
837,615	12/1906	Dover	D11/91
1,850,728	3/1932	Schless	D11/91
2,069,598	2/1937	Arpels	D11/90

Primary Examiner—Ralf Seifert
Attorney, Agent, or Firm—Howard C. Miskin

[57] **CLAIM**

The ornamental designs for a jewelry setting, as shown and described.

DESCRIPTION

FIG. 1 is a top plan view of a jewel setting showing my new design;

FIG. 2 is a front elevational view of my design, the rear view being a mirror image;

FIG. 3 is a side elevational view of this design, the opposite side view being a mirror image;

FIG. 4 is a top left side perspective view, the opposite side view being a mirror image;

FIG. 5 is a top plan view, shown in a position of use, the broken line showing of a tether and an attachment loop is for illustrative purposes only and forms no part of the claimed design;

FIG. 6 is a front perspective view, shown in a position of use, the broken line showing of a finger ring for illustrative purposes only and forms no part of the claimed design;

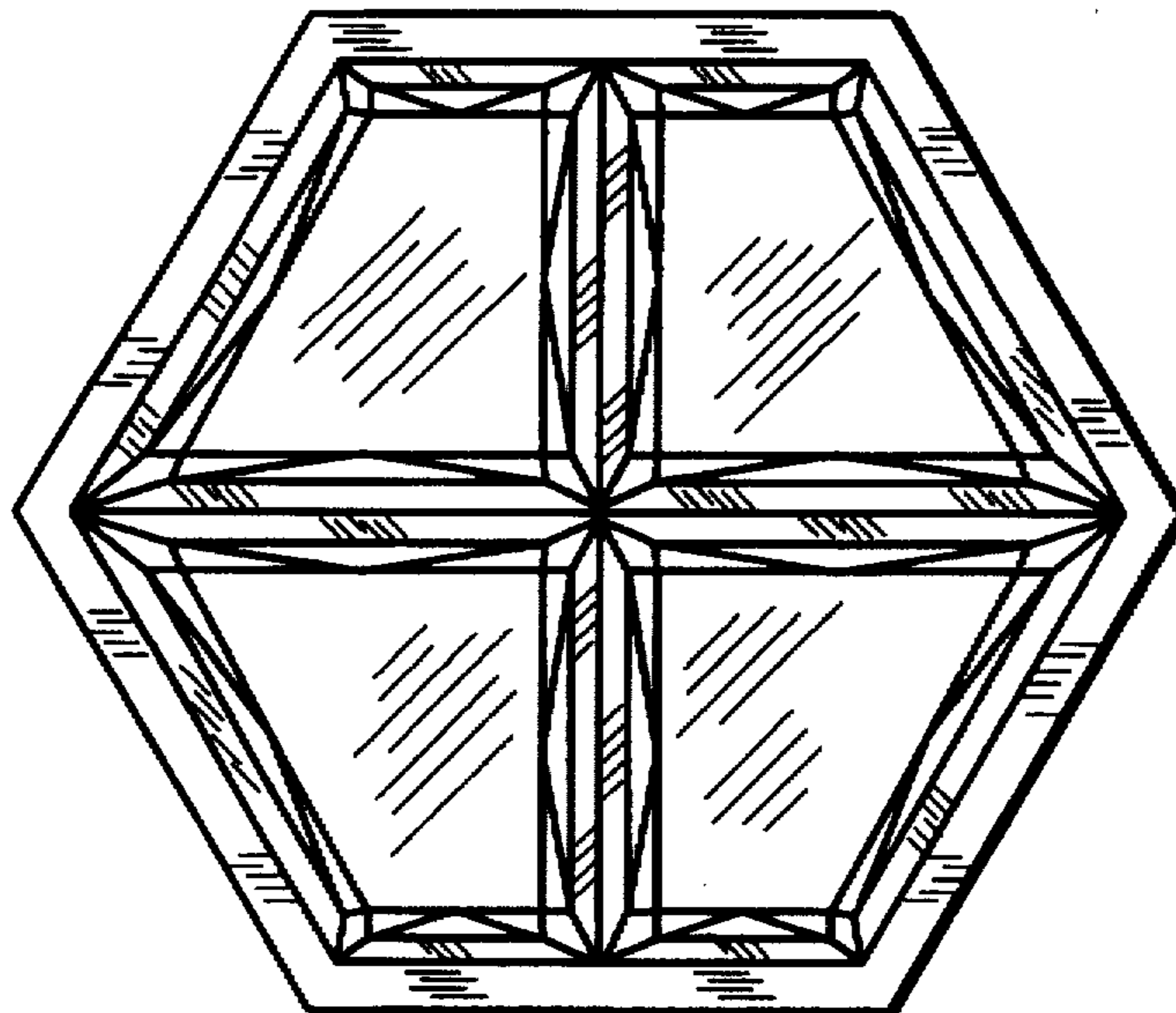
FIG. 7 is a top plan view of a jewelry setting showing a second embodiment of my new design;

FIG. 8 is a front elevational view of FIG. 7, the opposite side view being a mirror image; and,

FIG. 9 is a left side elevational view of FIG. 7, the opposite side being a mirror image.

It is understood that bottom of the setting, not shown, forms no part of the claimed design.

1 Claim, 4 Drawing Sheets



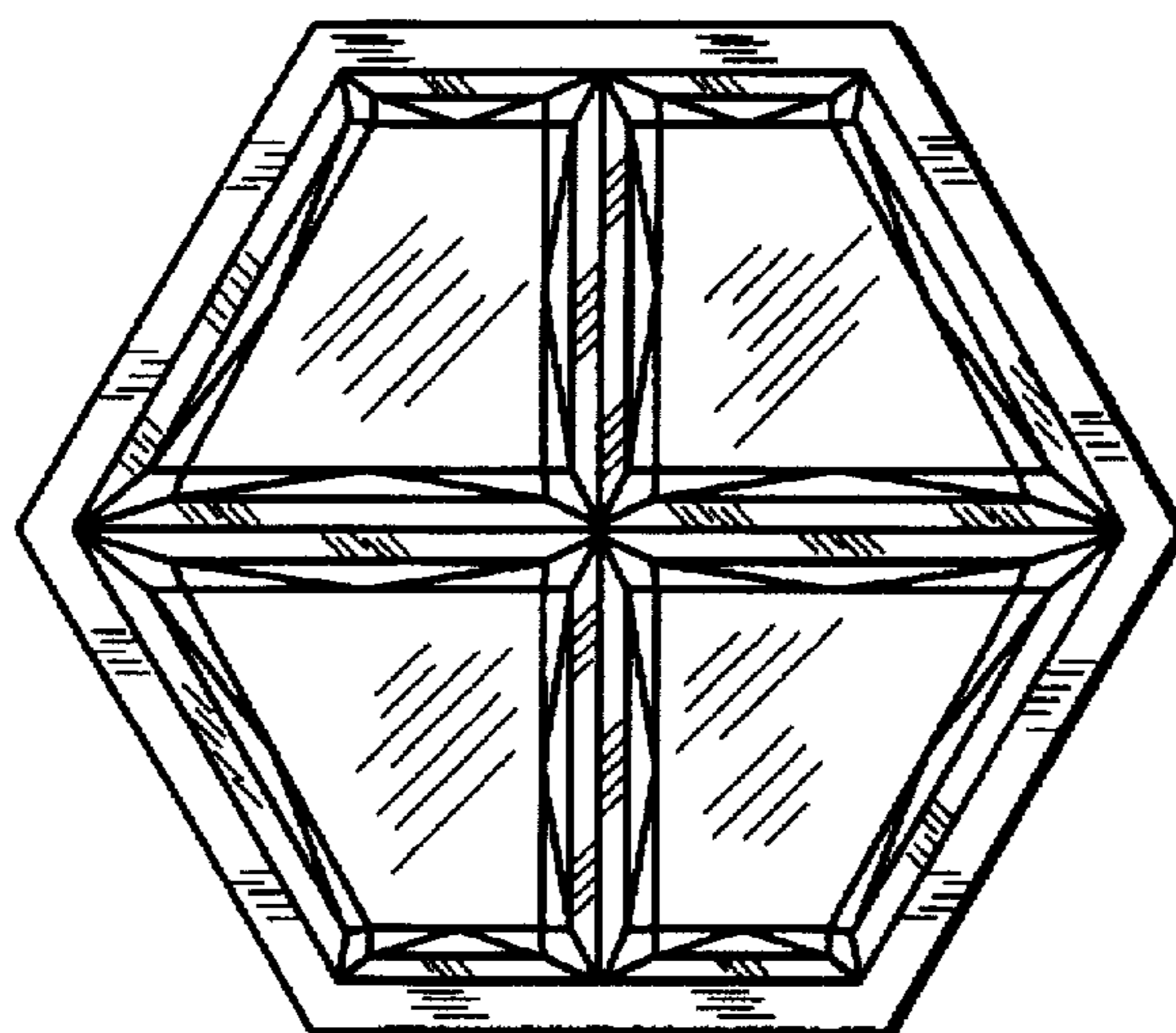


FIG. 1

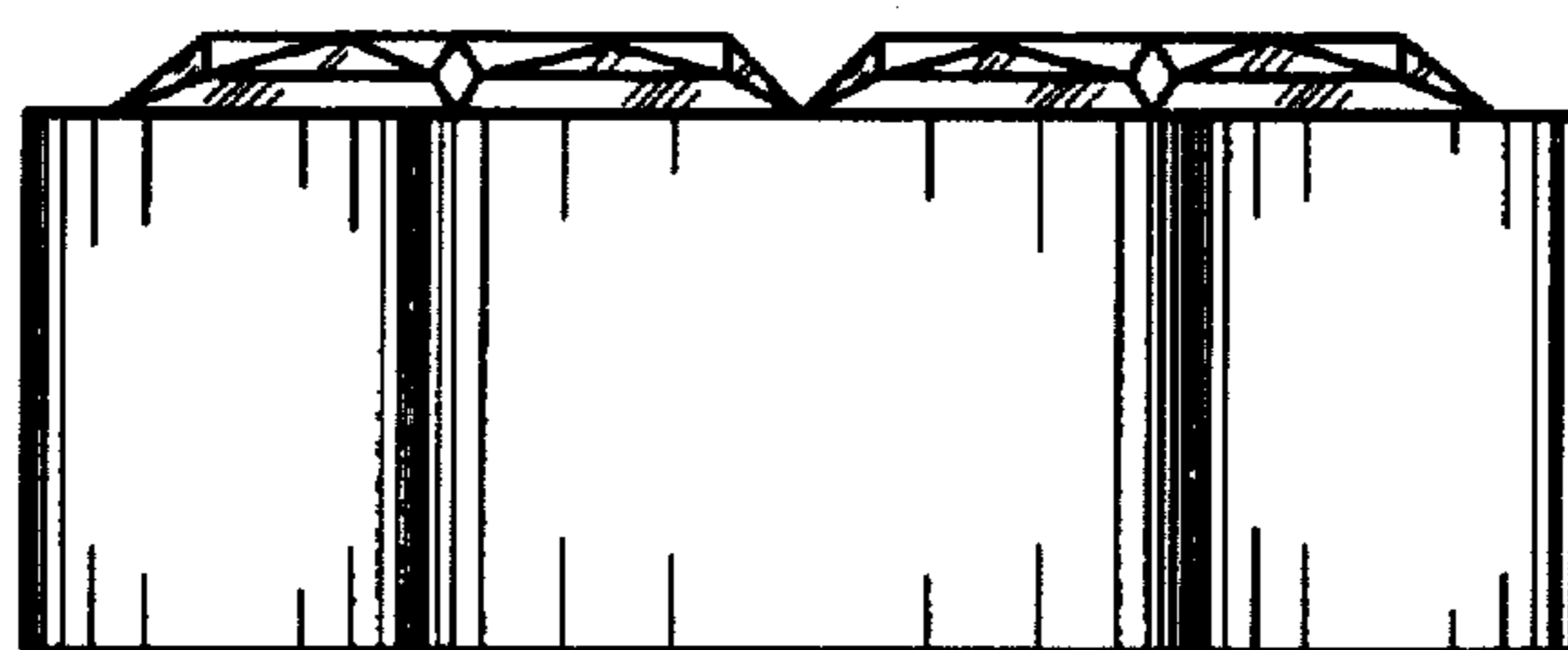


FIG. 2

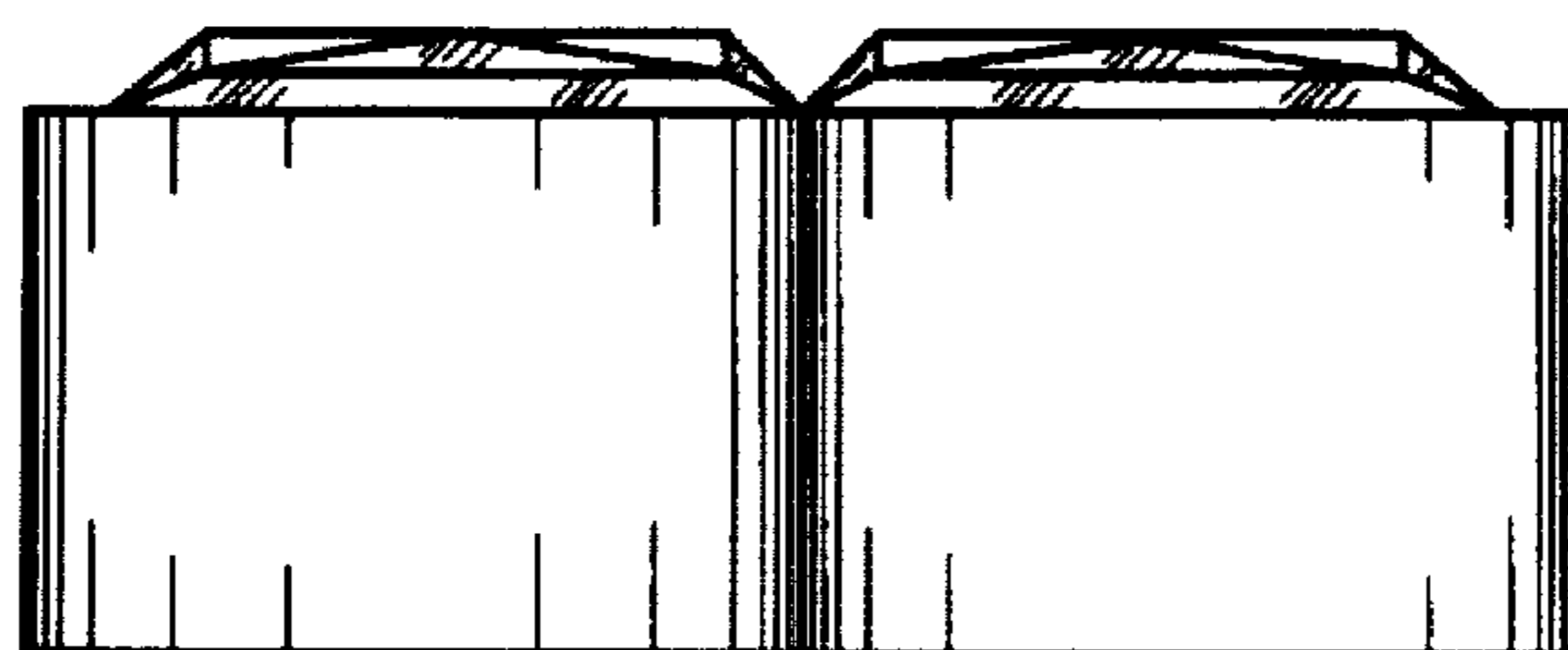


FIG. 3

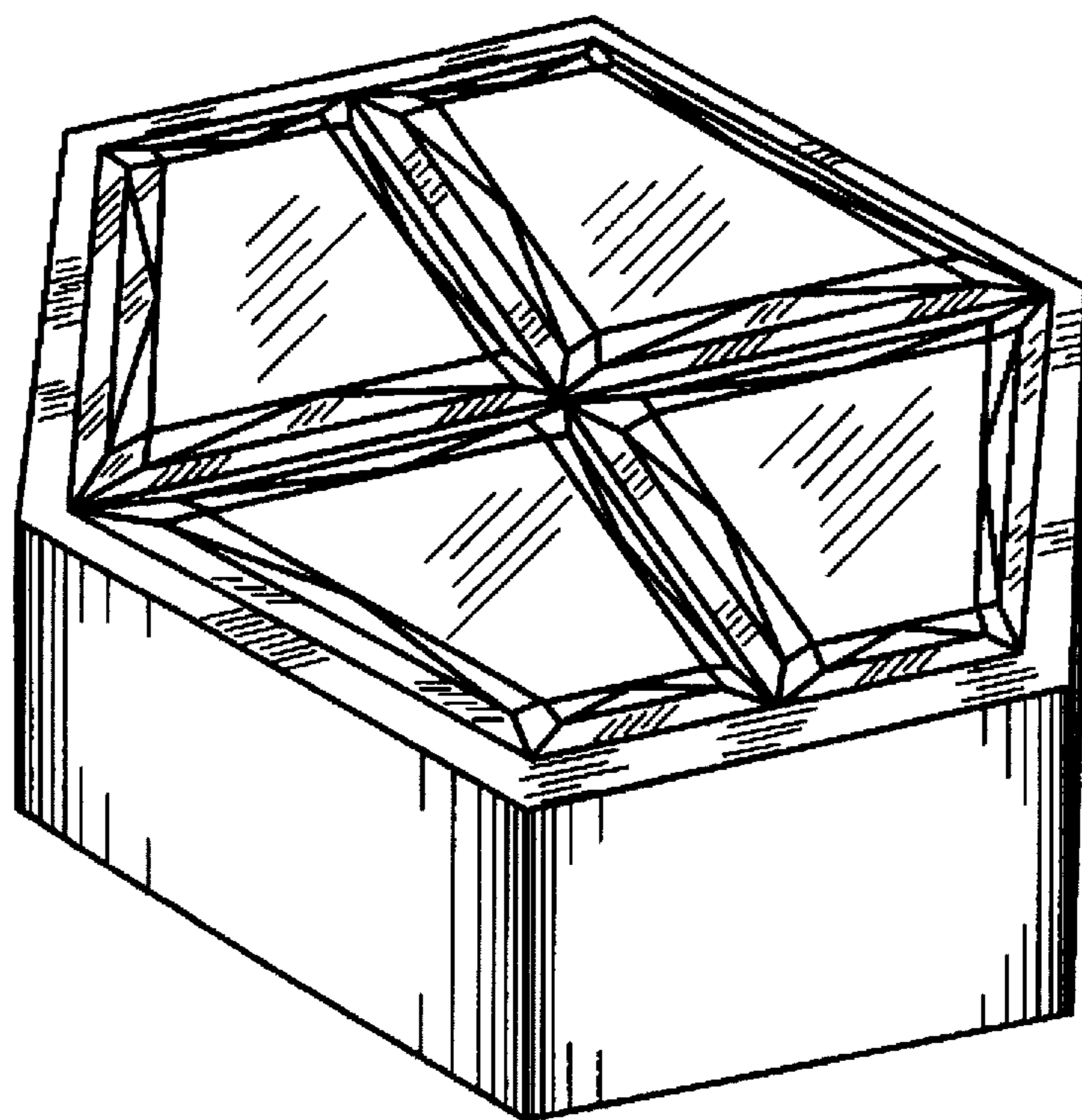


FIG. 4

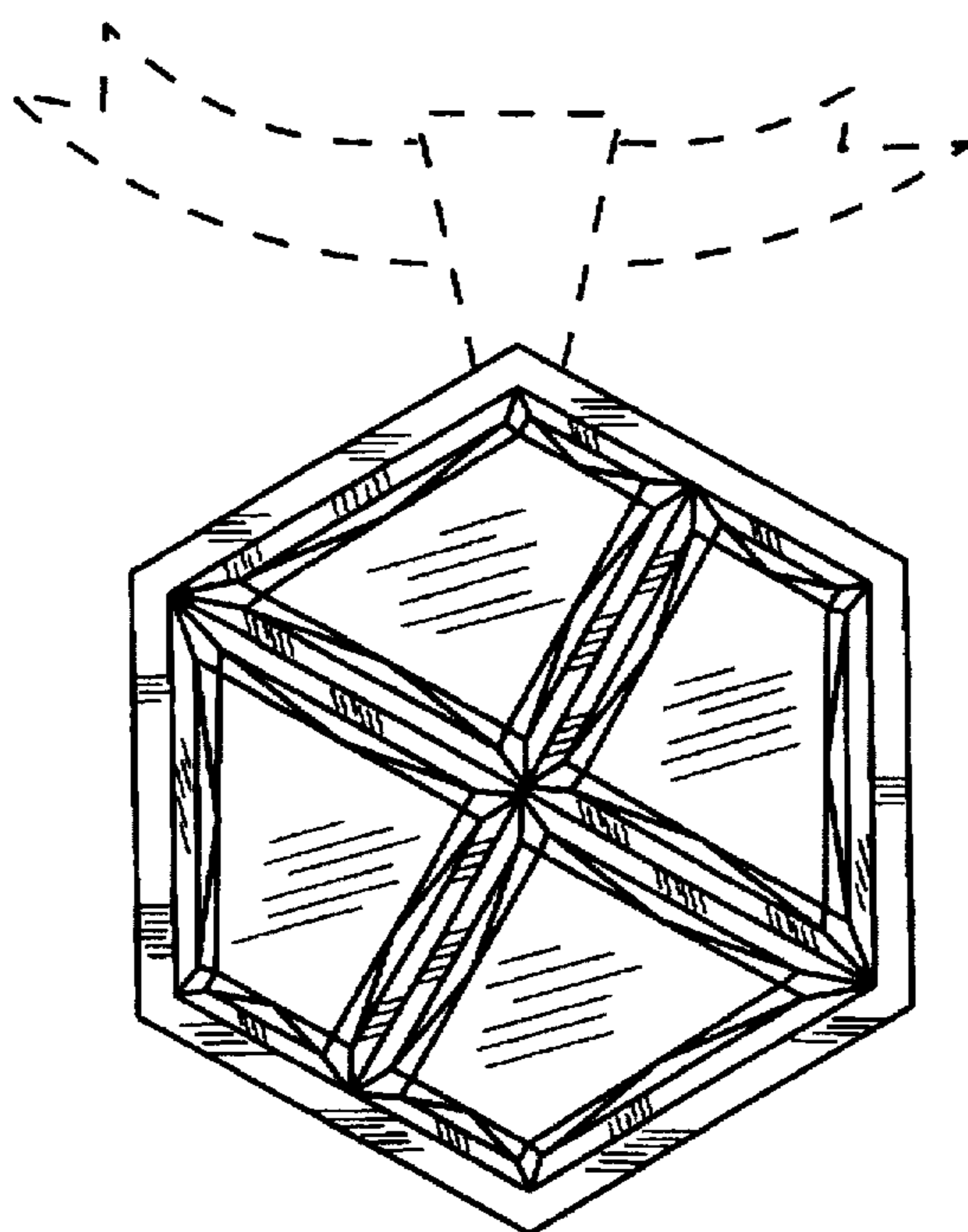


FIG. 5

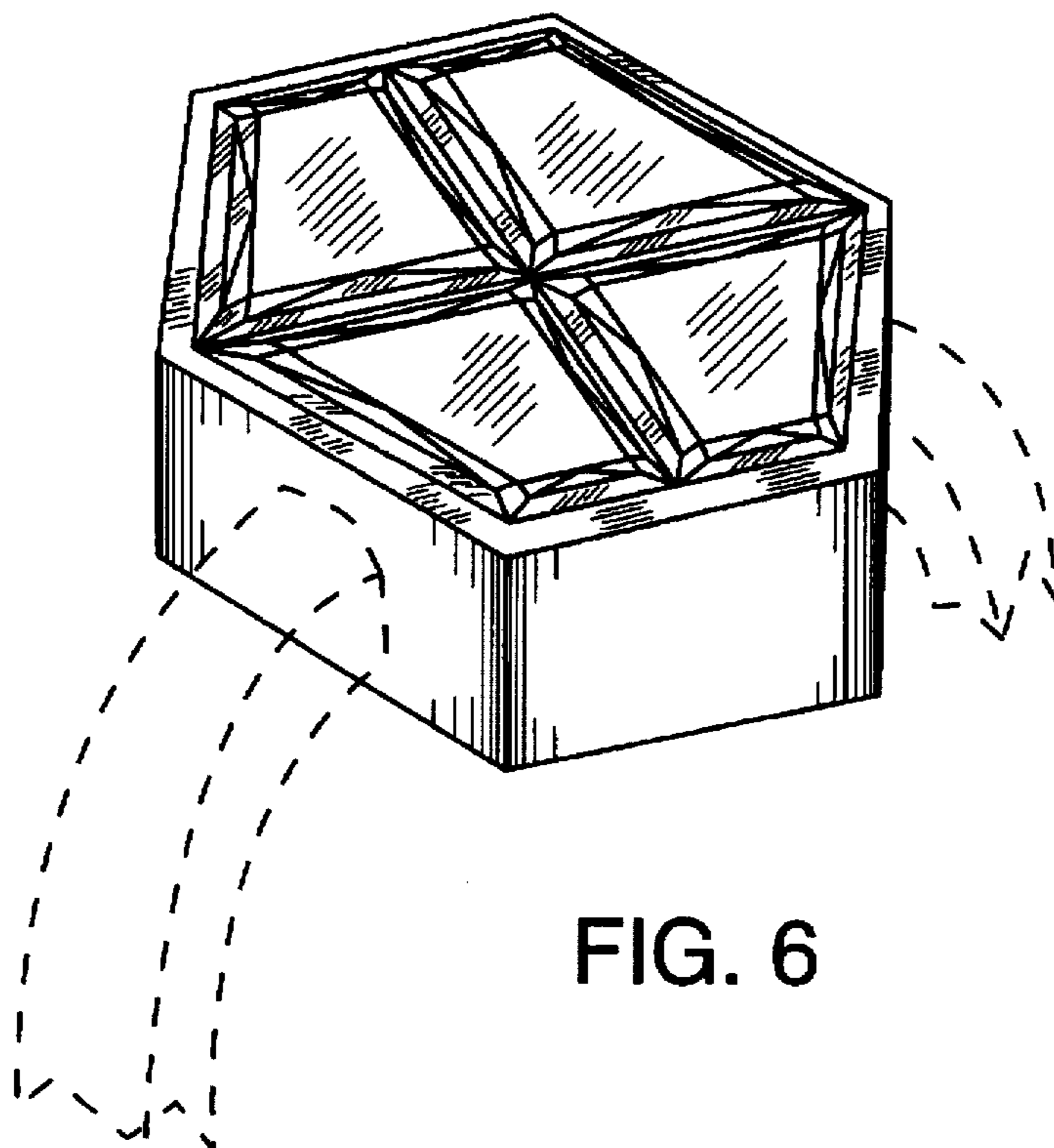


FIG. 6

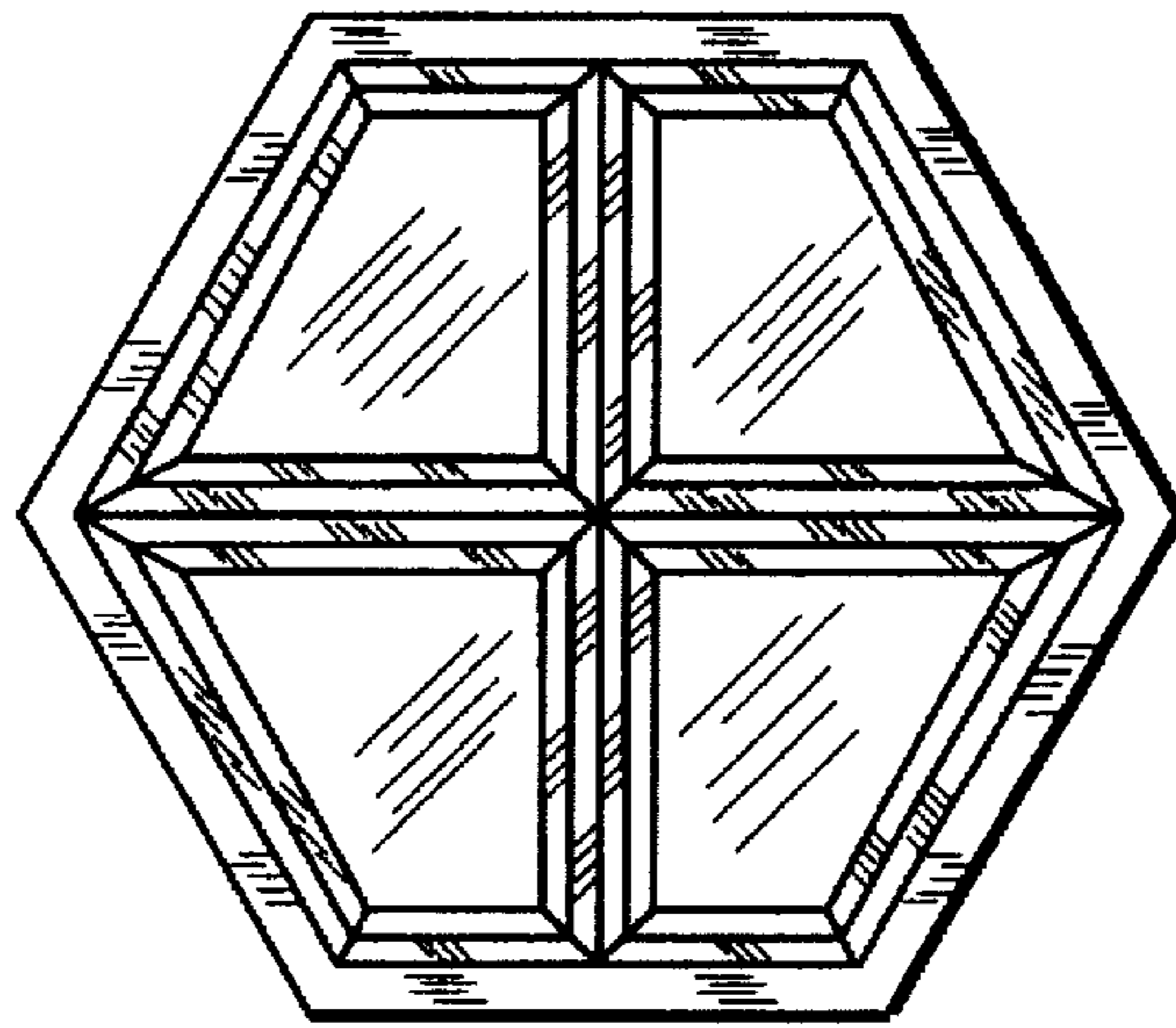


FIG. 7

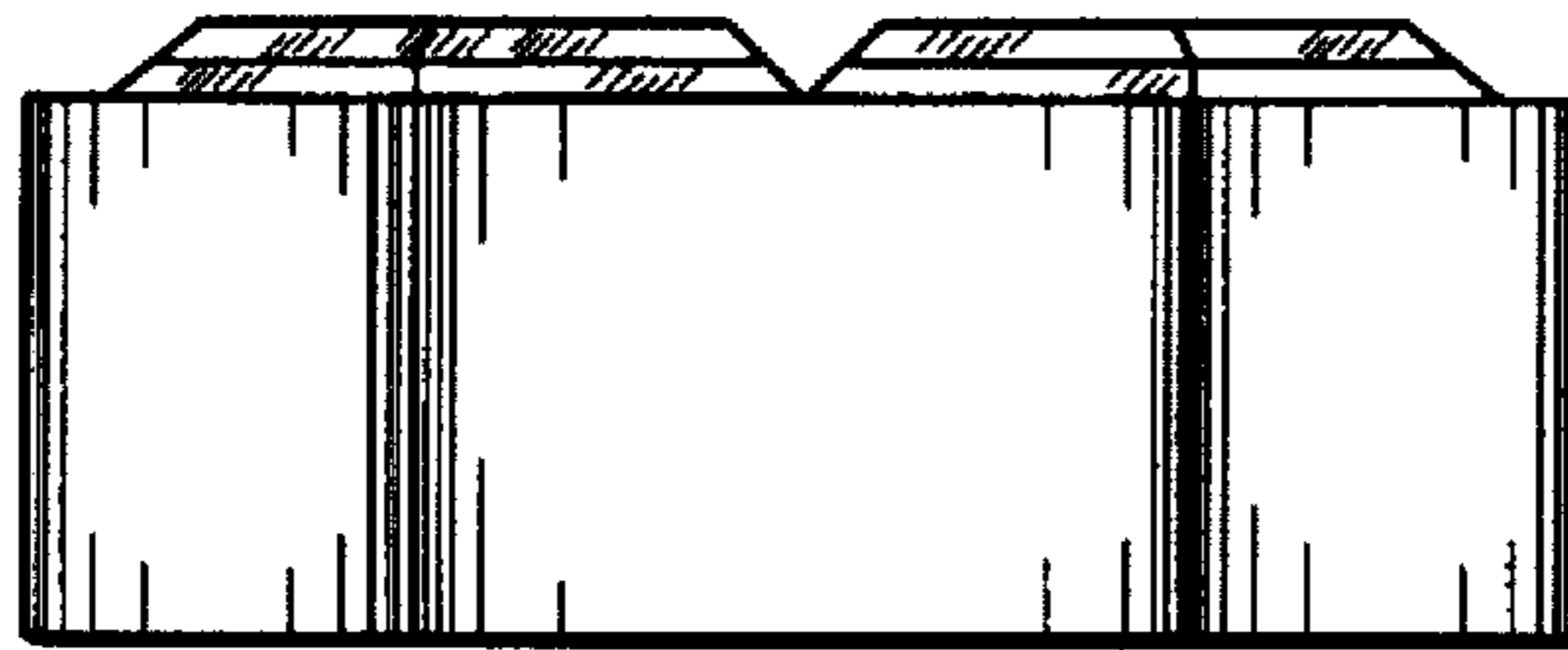


FIG. 8

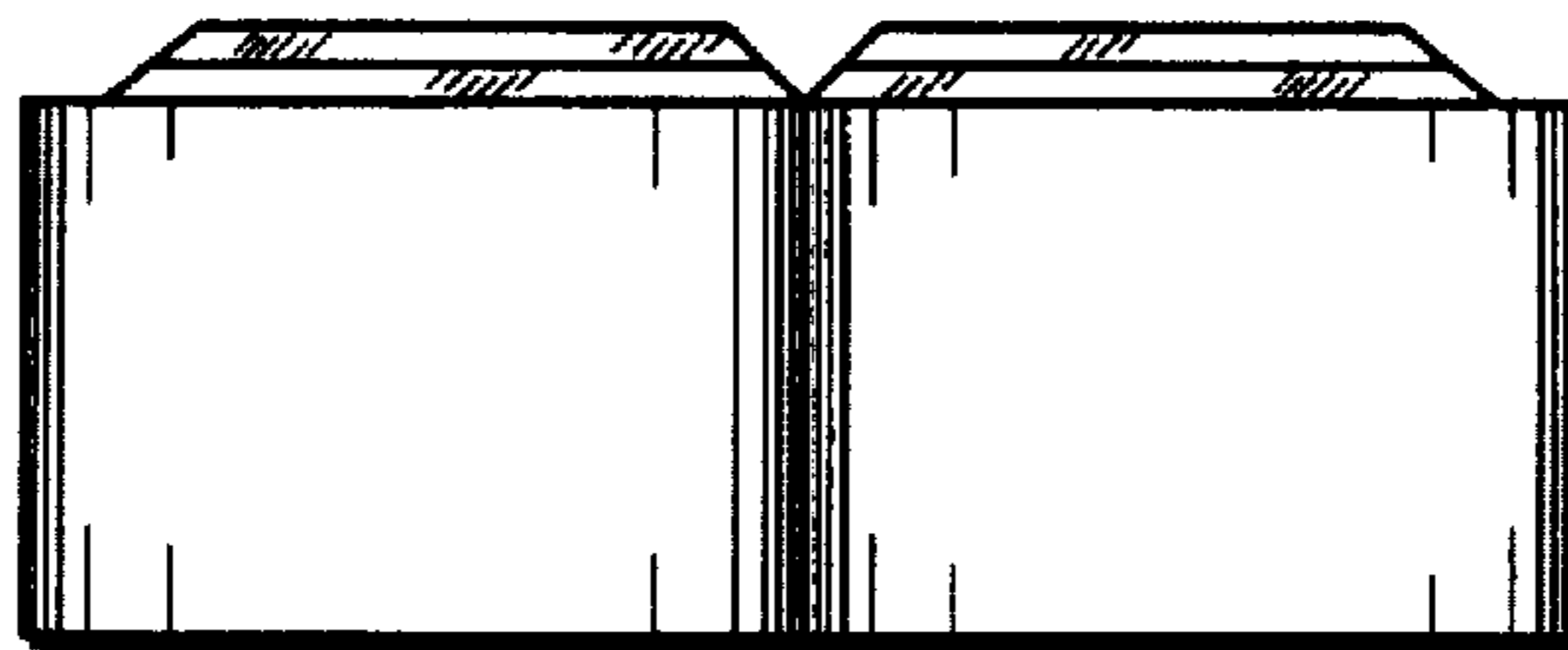


FIG. 9