



US00D386442S

United States Patent [19]
Anusavice

[11] **Patent Number:** **Des. 386,442**
[45] **Date of Patent:** ****Nov. 18, 1997**

[54] **JEWELRY CHAIN SEPARATOR**

3,225,565 12/1965 Bohlinger et al. D11/87

[76] **Inventor:** **Laura Anusavice**, 165 Shady Hill Dr.,
East Greenwich, R.I. 02818

Primary Examiner—Ralf Seifert
Attorney, Agent, or Firm—Salter & Michaelson

[**] **Term:** **14 Years**

[57] **CLAIM**

[21] **Appl. No.:** **51,596**

The ornamental design for a jewelry chain separator, as shown and described.

[22] **Filed:** **Mar. 14, 1996**

DESCRIPTION

[51] **LOC (6) Cl.** **11-01**

FIG. 1 is a perspective view of a jewelry chain separator showing my new design;

[52] **U.S. Cl.** **D11/87**

FIG. 2 is a right side view thereof, the right and left side views being identical;

[58] **Field of Search** D11/1, 2, 3, 86,
D11/87, 93, 94; 63/1.1, 2; 24/265 R

FIG. 3 is a top view thereof;

FIG. 4 is a bottom view thereof;

FIG. 5 is a front view thereof;

FIG. 6 is a rear view thereof; and,

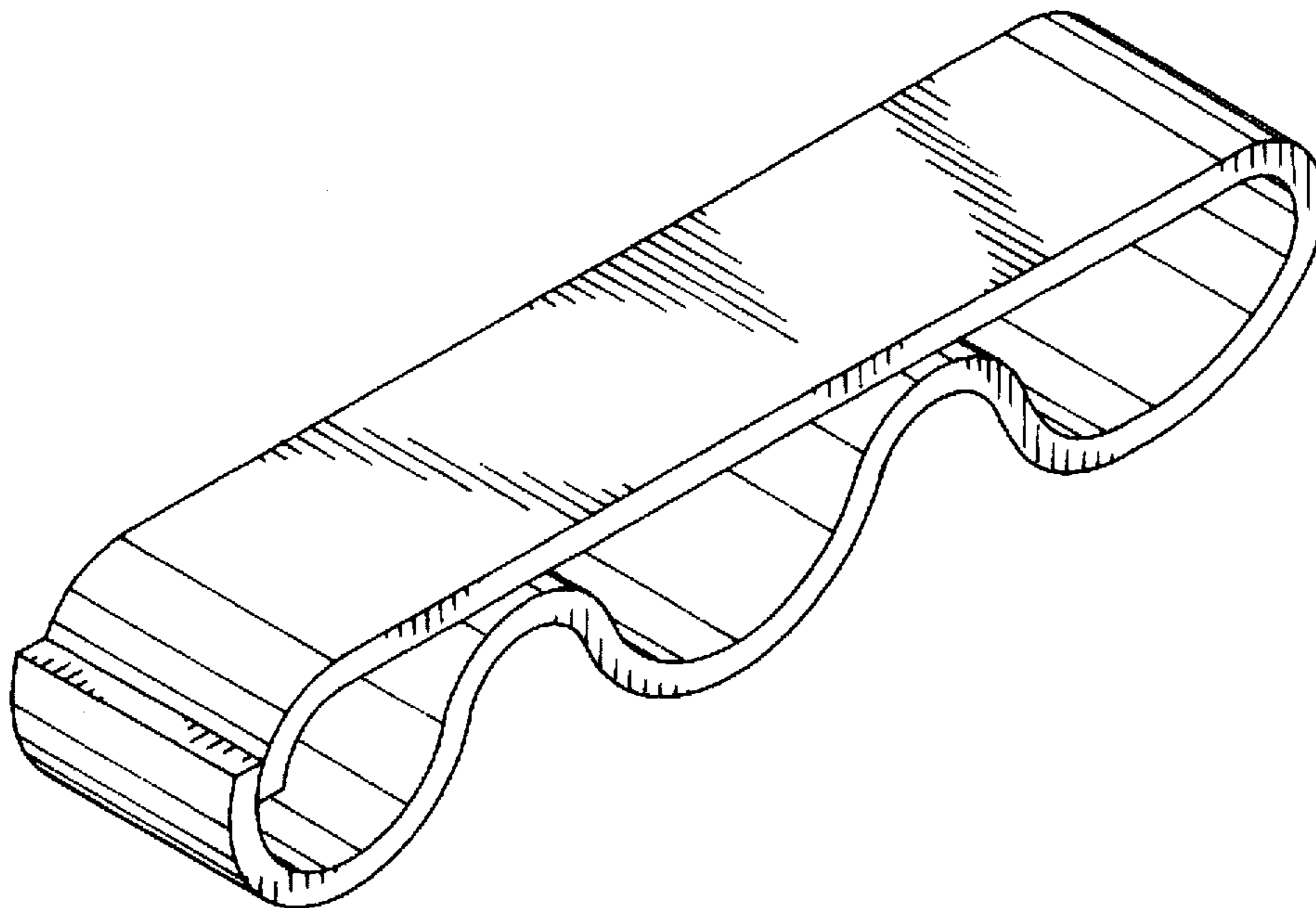
FIG. 7 is a perspective view of a jewelry chain separator showing my new design, all views not shown are like those of the first embodiment except for the orb ornamentation shown on the top surface.

[56] **References Cited**

U.S. PATENT DOCUMENTS

D. 47,993	10/1915	Cox	D11/93
D. 48,951	4/1916	Rosenberger	D11/93
D. 327,862	7/1992	McConnell	D11/94
D. 368,870	4/1996	Goeden	D11/93
1,957,274	5/1934	Lederer	D11/3
2,634,593	4/1953	Moretti	24/265 R

1 Claim, 2 Drawing Sheets



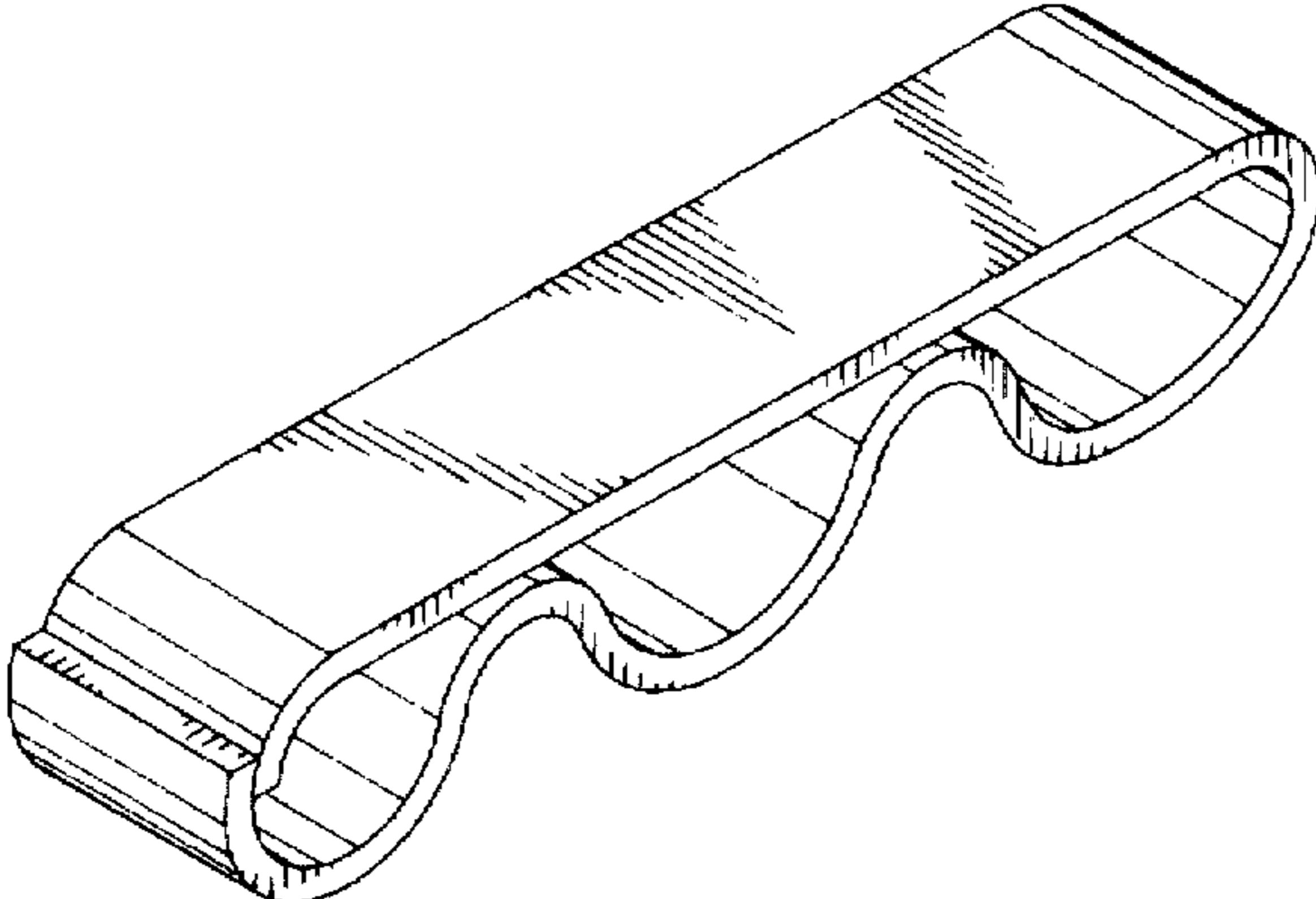


FIG. 1

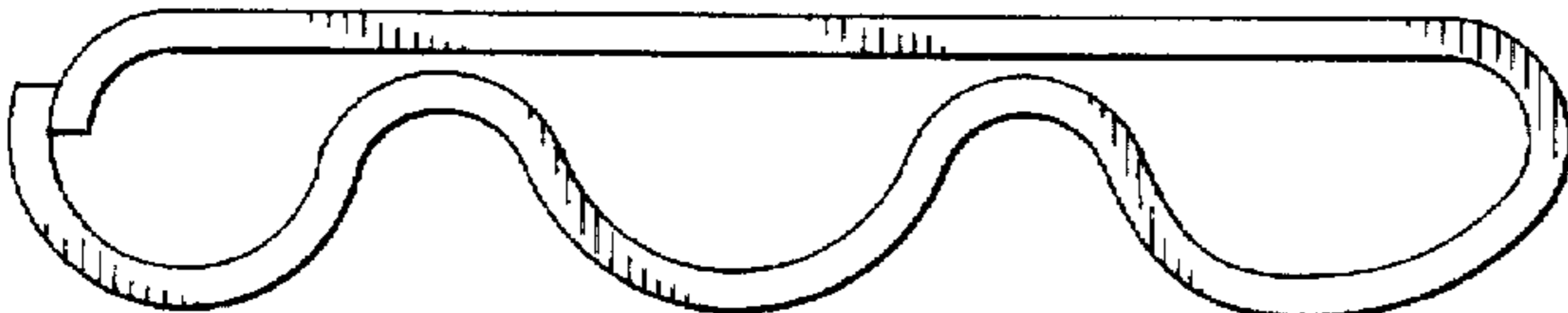


FIG. 2

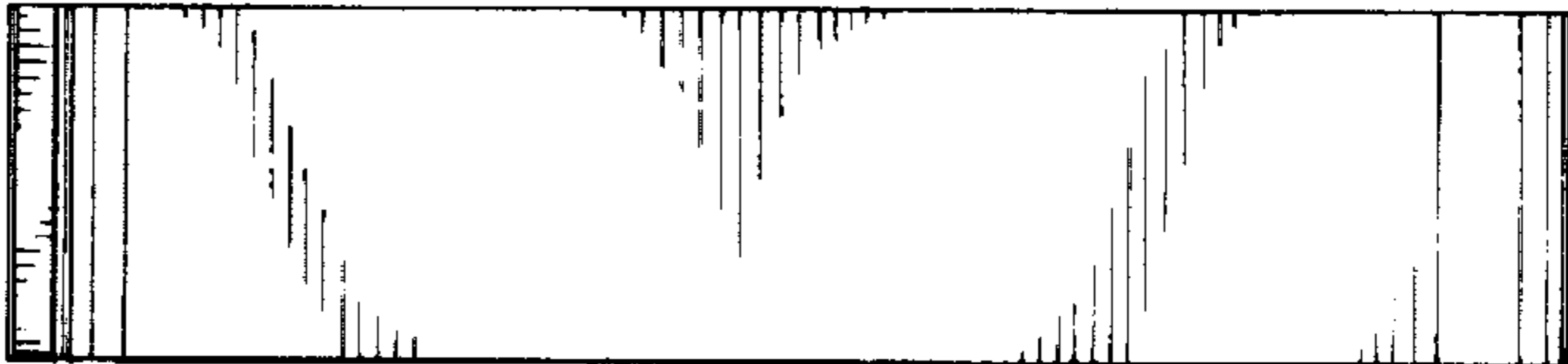


FIG. 3

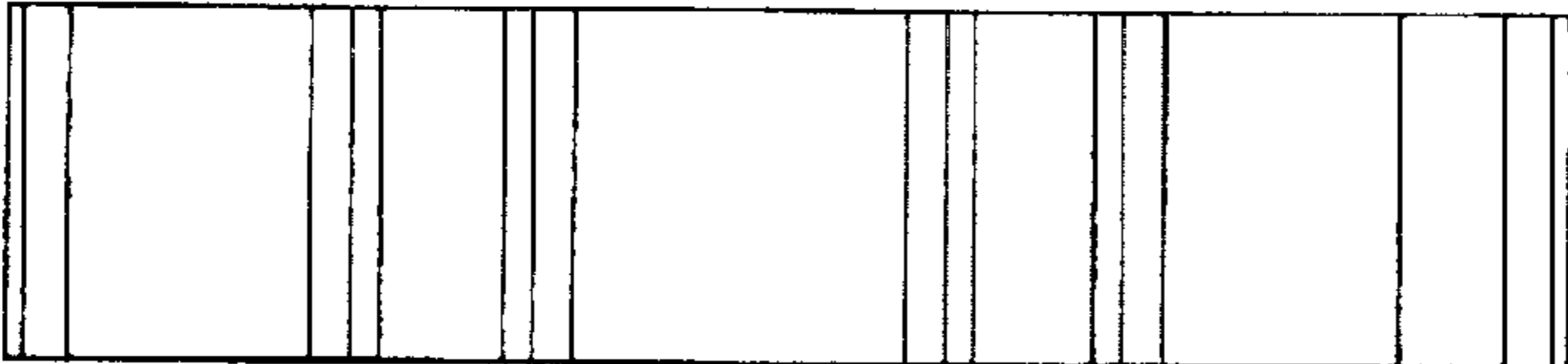


FIG. 4

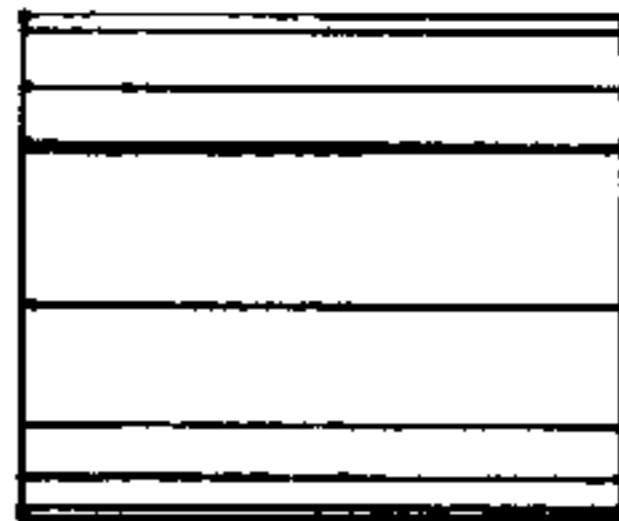


FIG. 5

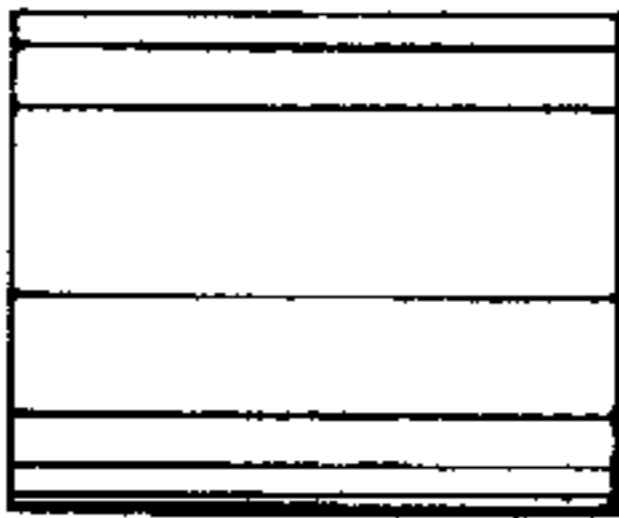


FIG. 6

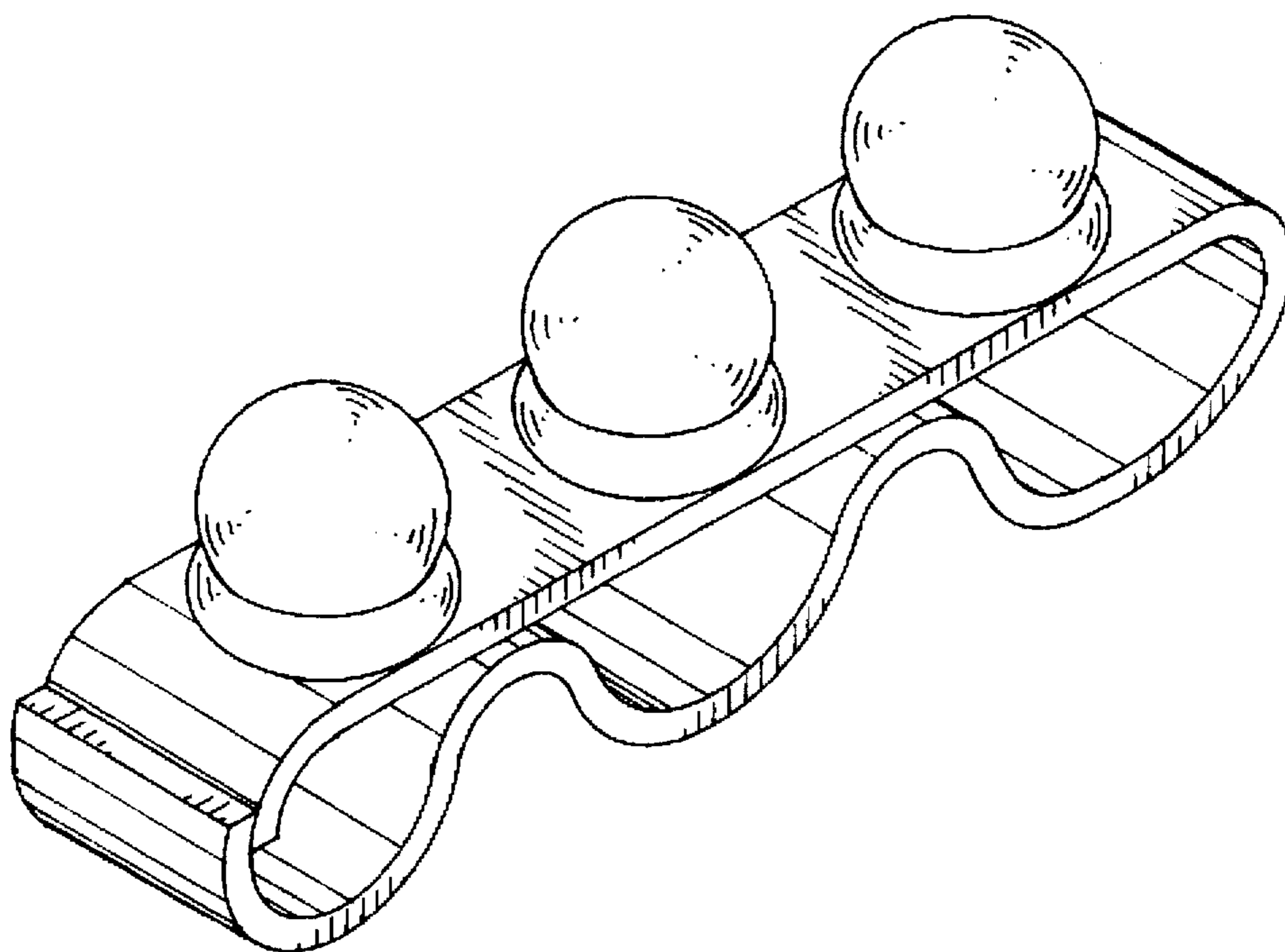


FIG. 7