

US00D386433S

United States Patent [19] Cibuzar

[11] Patent Number: Des. 386,433

[45] Date of Patent: **Nov. 18, 1997

[54] BUOY WITH SOLAR CELLS
[75] Inventor: Alan Cibuzar, Brainerd, Minn.
[73] Assignee: Regents of the University of Minnesota, Minneapolis, Minn.
[**] Term: 14 Years

3,965,234 6/1976 Zane, Jr. 441/20
4,759,735 7/1988 Pagnol et al. 441/16
5,362,267 11/1994 Forrest 441/20

Primary Examiner—Marcus A. Jackson
Attorney, Agent, or Firm—Westman, Champlin & Kelly, P.A.

[21] Appl. No.: 62,295
[22] Filed: Nov. 12, 1996

[57] CLAIM

The ornamental design for a buoy with solar cells, as shown and described.

[51] LOC (6) Cl. 10-05
[52] U.S. Cl. D10/107
[58] Field of Search D10/104, 107,
D10/109, 121; 441/1, 2, 4, 6, 8, 9, 10,
11, 12, 13, 14, 15, 20, 16

DESCRIPTION

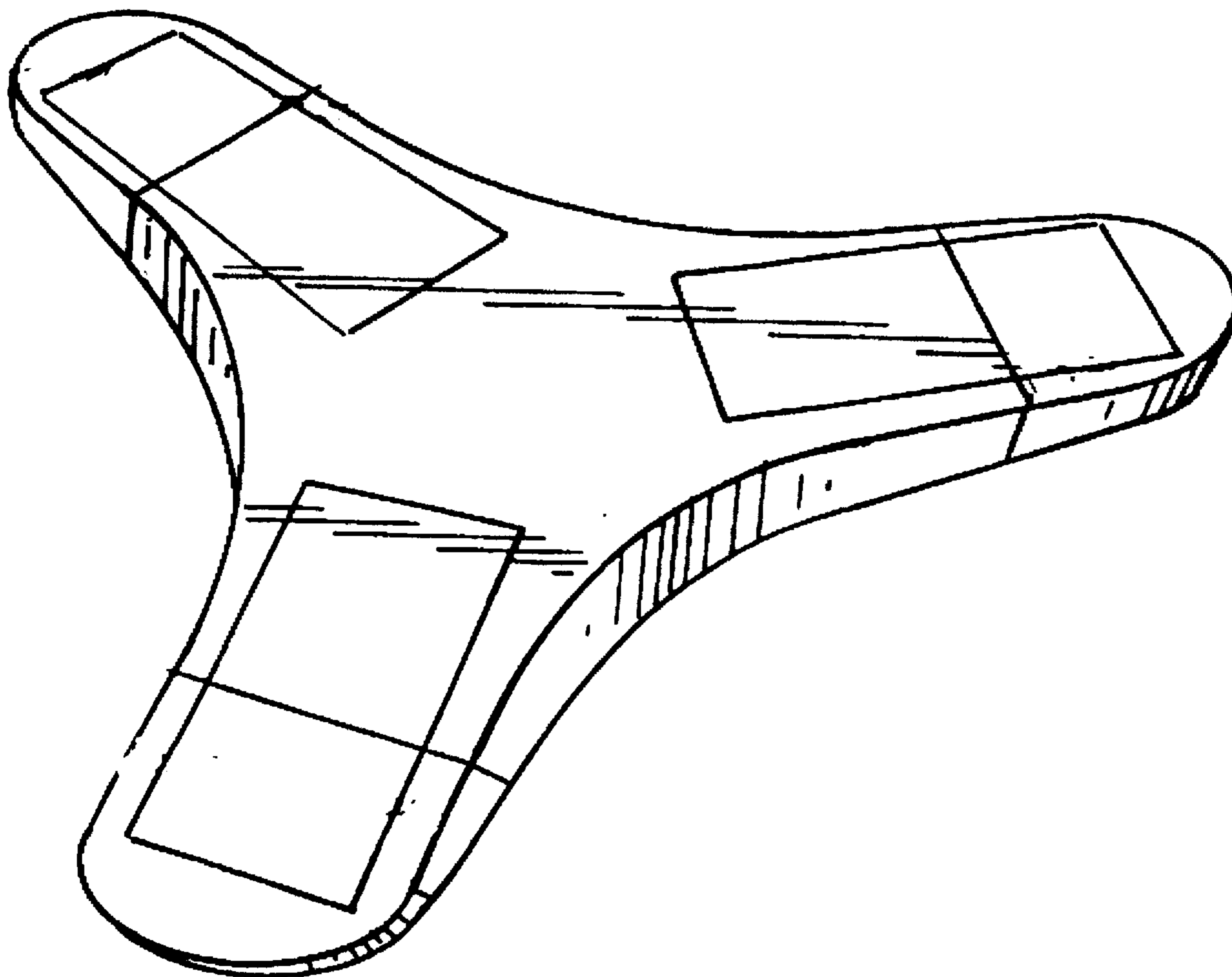
FIG. 1 is a perspective view of a buoy for solar cells embodying my new design;
FIG. 2 is a top plan view thereof;
FIG. 3 is a front elevational view thereof;
FIG. 4 is a side elevational view thereof taken from a right side shown in FIG. 2, the opposite side elevational view being a mirror image of FIG. 4; and,
FIG. 5 is a bottom plan view thereof.

[56] References Cited

U.S. PATENT DOCUMENTS

D. 248,840 8/1978 Aesch, Sr. et al. D10/107
D. 310,180 8/1990 Etkin D10/107

1 Claim, 2 Drawing Sheets



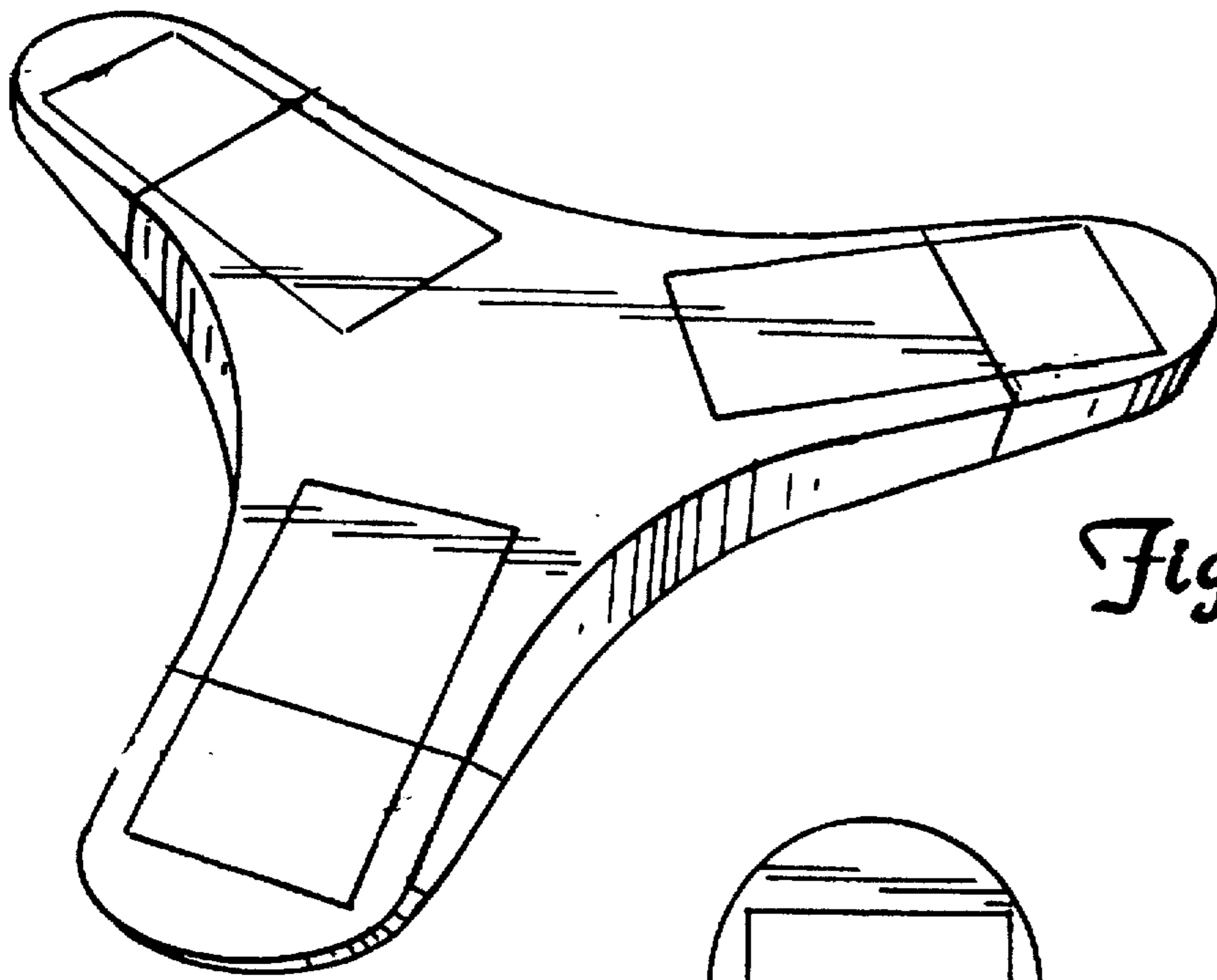


Fig. 1

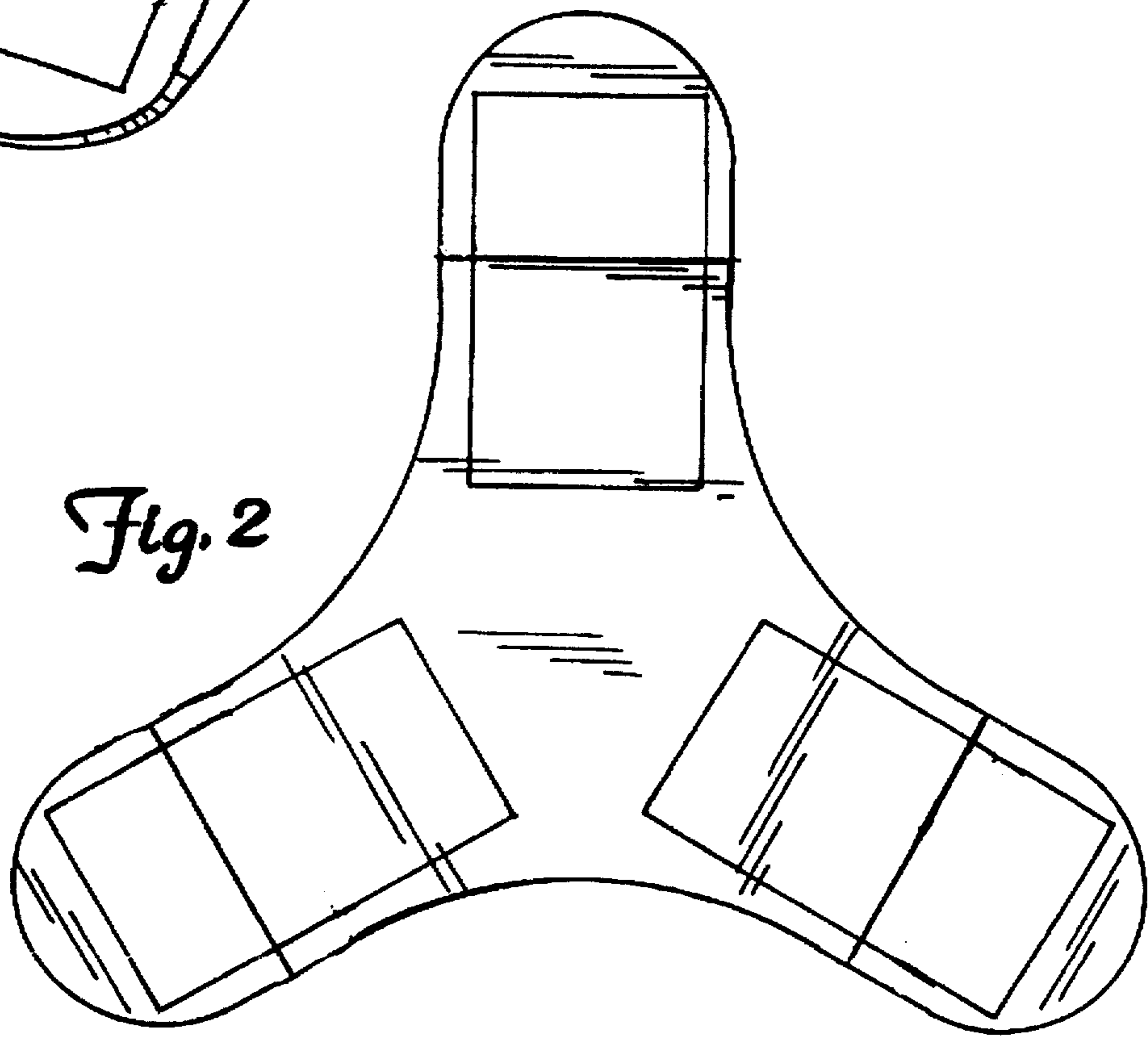


Fig. 2

Fig. 3



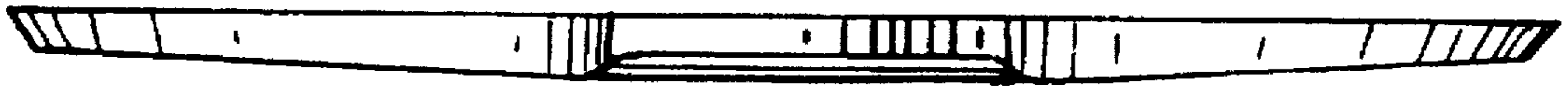


Fig. 4

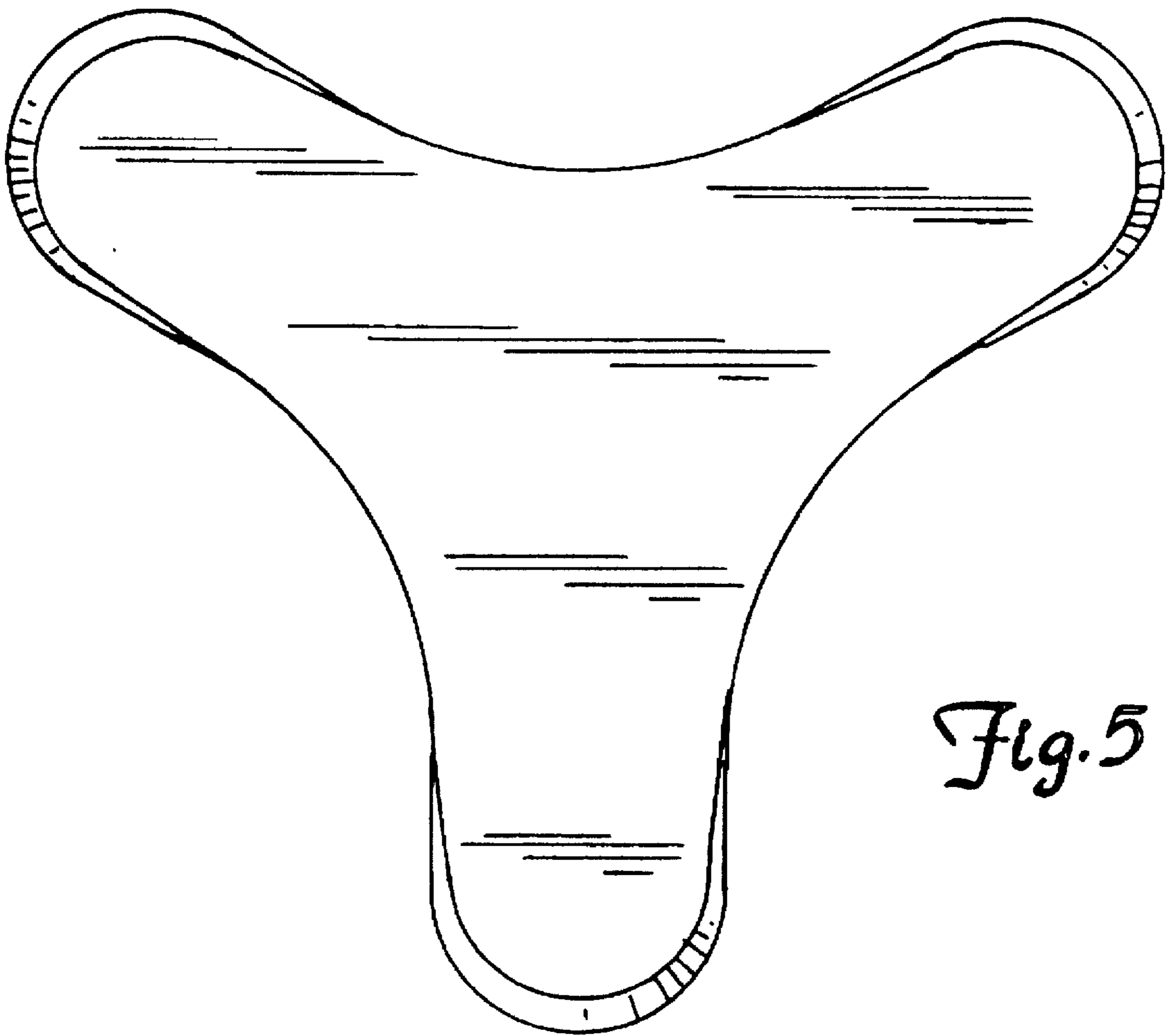


Fig. 5