



US00D386431S

United States Patent [19]

Nagai et al.

[11] Patent Number: **Des. 386,431**

[45] Date of Patent: ****Nov. 18, 1997**

[54] **FRAME FOR PRESSURIZED FLUID-OPERATING DEVICES**

D. 370,424 6/1996 Nagai et al. D10/94
D. 373,738 9/1996 Nagai et al. D10/94

[75] Inventors: **Shigekazu Nagai; Koji Sugano**, both of Ibaraki-ken, Japan

Primary Examiner—Antoine Duval Davis
Attorney, Agent, or Firm—Oblon, Spivak, McClelland, Maier & Neustadt, P.C.

[73] Assignee: **SMC Kabushiki Kaisha**, Tokyo, Japan

[**] Term: **14 Years**

[57] **CLAIM**

[21] Appl. No.: **37,756**

The ornamental design for a frame for pressurized fluid-operating devices, as shown.

[22] Filed: **Apr. 18, 1995**

DESCRIPTION

[30] **Foreign Application Priority Data**

Oct. 19, 1994 [JP] Japan 6-31723

FIG. 1 is a top plan view of a frame for pressurized fluid-operating devices, showing our new design;

[51] **LOC (6) Cl.** **10-04**

FIG. 2 is a front view thereof;

[52] **U.S. Cl.** **D10/94; D10/85; D25/124**

FIG. 3 is a bottom view thereof;

[58] **Field of Search** **D10/85, 94; D23/233, D23/235, 249; D25/60, 61, 119, 120; 52/2.11, 2.16, 2.18; 137/861, 884, 560, 271; 417/174**

FIG. 4 is a right side view thereof; and,

FIG. 5 is a perspective view thereof.

[56] **References Cited**

U.S. PATENT DOCUMENTS

D. 370,423 6/1996 Nagai et al. D10/94

1 Claim, 3 Drawing Sheets

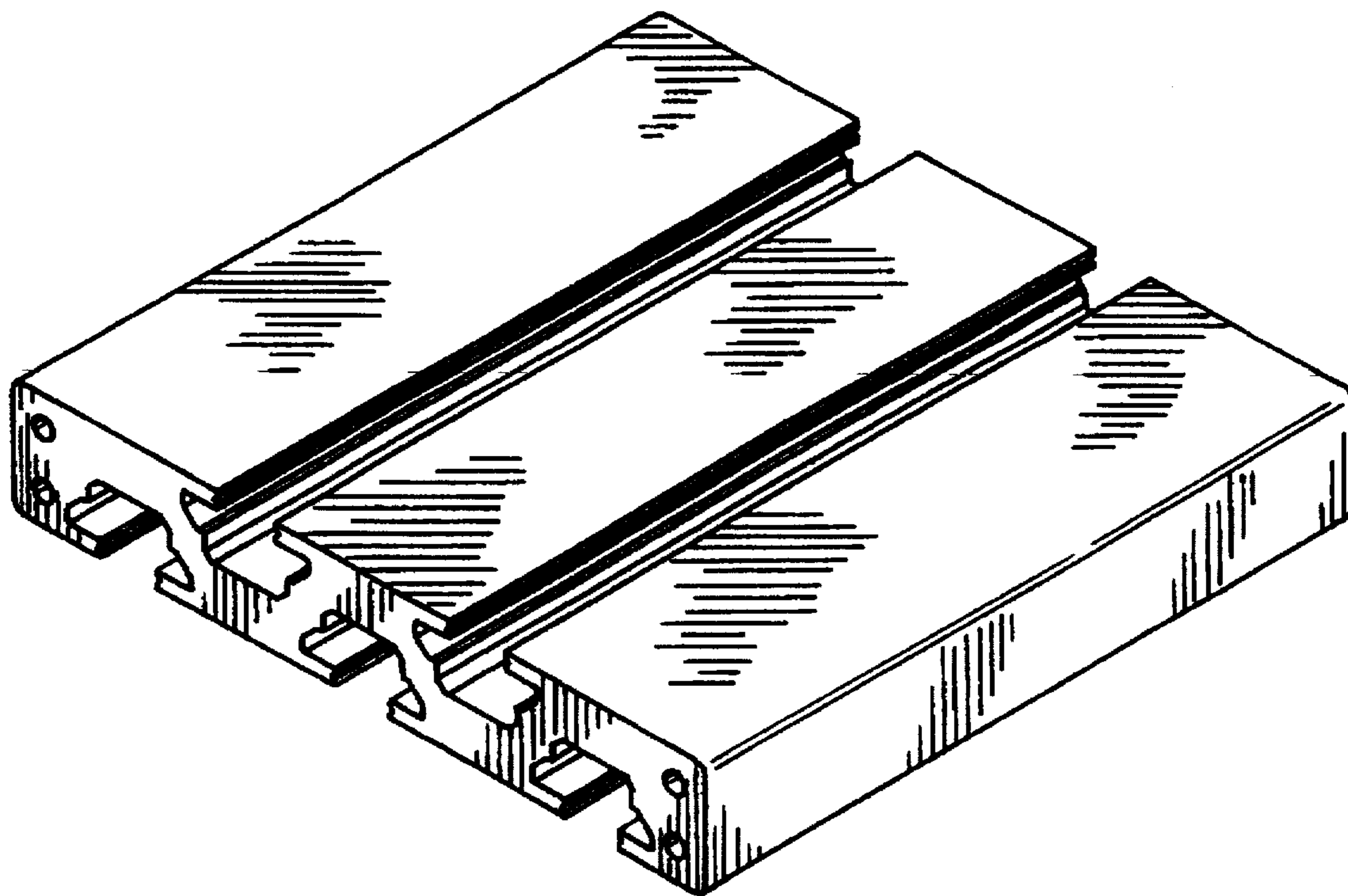


FIG. 1

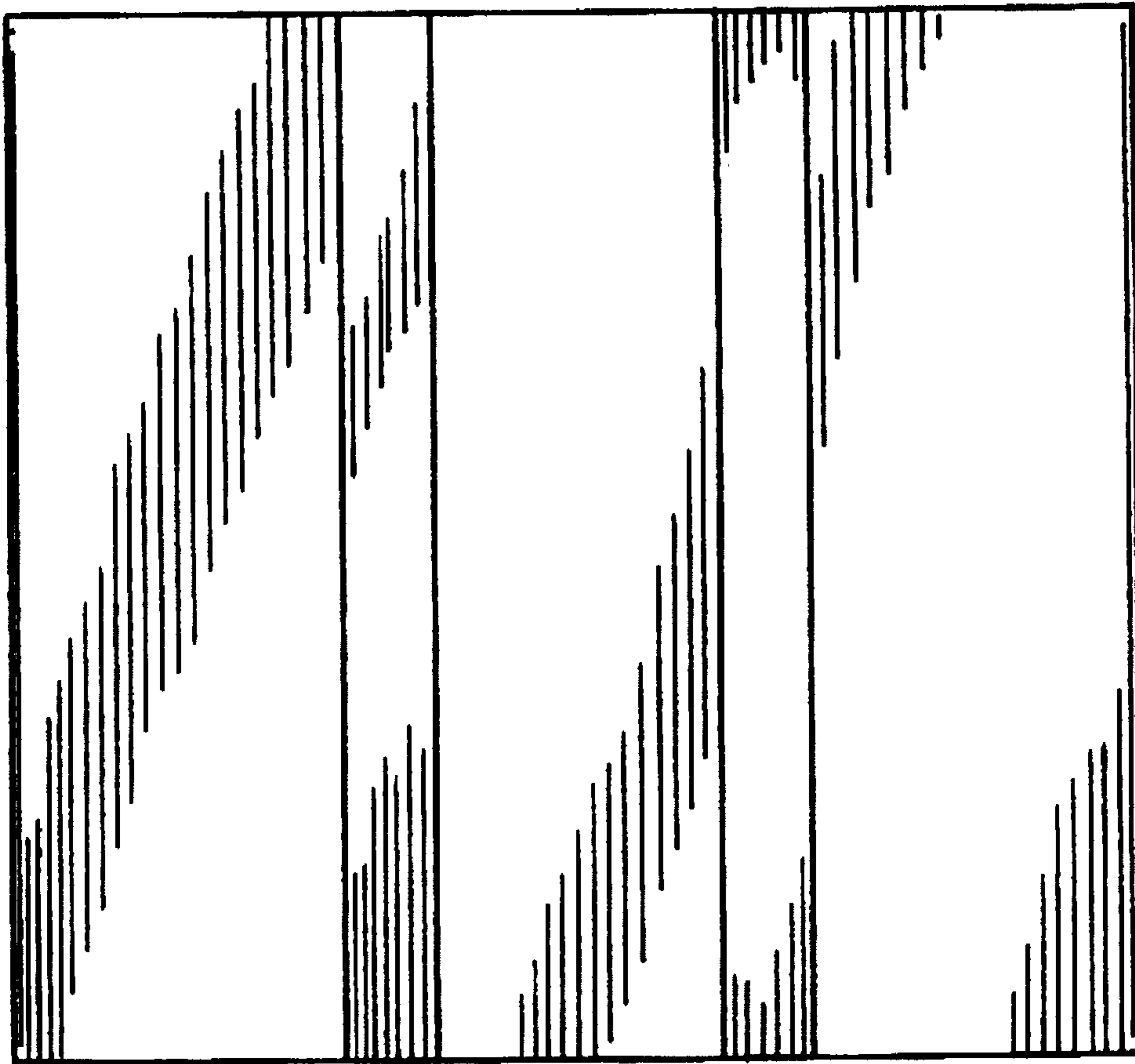


FIG. 2

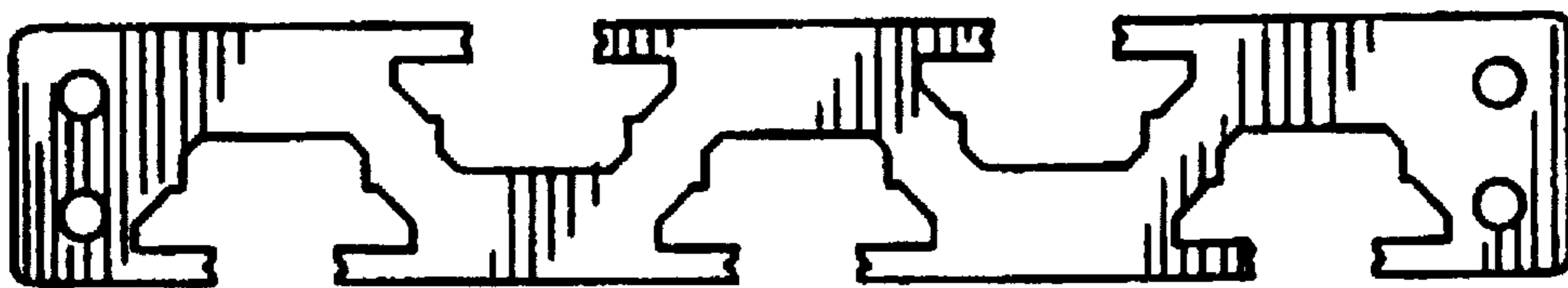


FIG.3

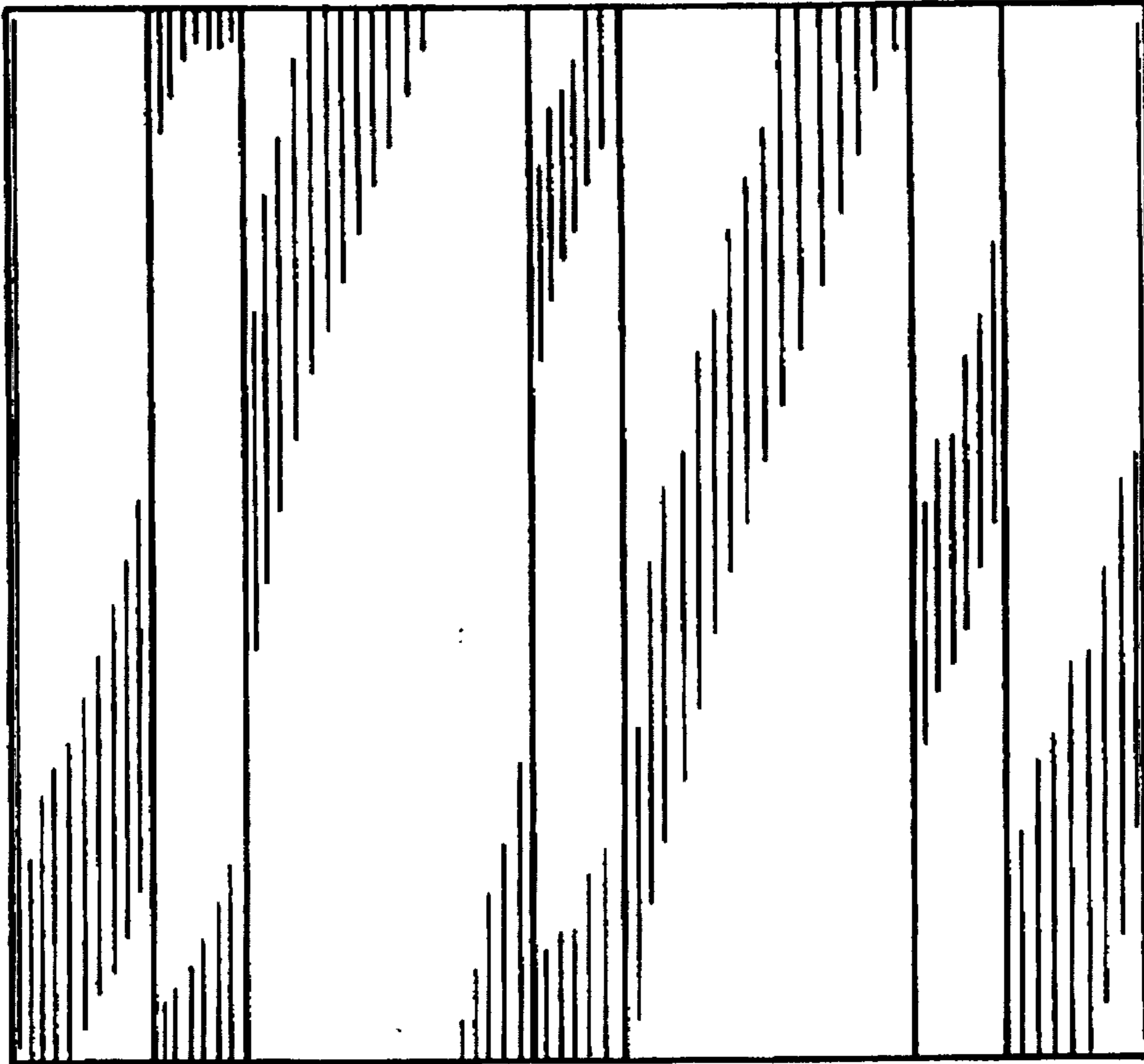


FIG.4

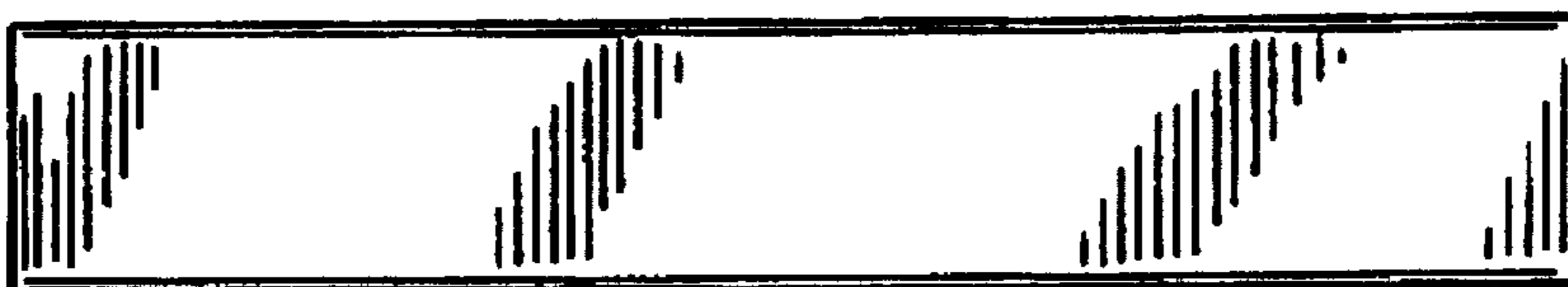


FIG. 5

