



US00D386430S

United States Patent [19]
Czerlanis et al.

[11] **Patent Number: Des. 386,430**
[45] **Date of Patent: **Nov. 18, 1997**

[54] **OUTDOOR PHOTO-CONTROL TIMER**

5,258,656 11/1993 Pawlick 307/141.4
5,430,598 7/1995 Rodolfo 307/141

[75] Inventors: **John A. Czerlanis**, Wonder Lake, Ill.;
Robert D. Giese, Kenosha, Wis.

FOREIGN PATENT DOCUMENTS

0021475 2/1985 Japan D10/30 X

[73] Assignee: **Intermatic Incorporated**, Spring Grove, Ill.

Primary Examiner—Nelson C. Holtje

[**] Term: **14 Years**

[57] **CLAIM**

The ornamental design for an outdoor photo-control timer, as shown.

[21] Appl. No.: **57,740**

[22] Filed: **Jul. 31, 1996**

DESCRIPTION

[51] **LOC (6) Cl.** **10-03**

[52] **U.S. Cl.** **D10/40**

[58] **Field of Search** D10/1-40, 122-132;
368/97-100, 107-121, 276-277, 285, 316,
317; 307/141, 141.4

FIG. 1 is a perspective view of an outdoor photo-control timer showing our new design;
FIG. 2 is a side of the embodiment shown in FIG. 1;
FIG. 3 is a front view of the embodiment shown in FIG. 1;
FIG. 4 is a back view of the embodiment shown in FIG. 1;
FIG. 5 is a top view of the embodiment shown in FIG. 1;
and,
FIG. 6 is a bottom view of the embodiment shown in FIG. 1.

[56] **References Cited**

U.S. PATENT DOCUMENTS

D. 360,138 7/1995 De Larosa D10/15

1 Claim, 3 Drawing Sheets

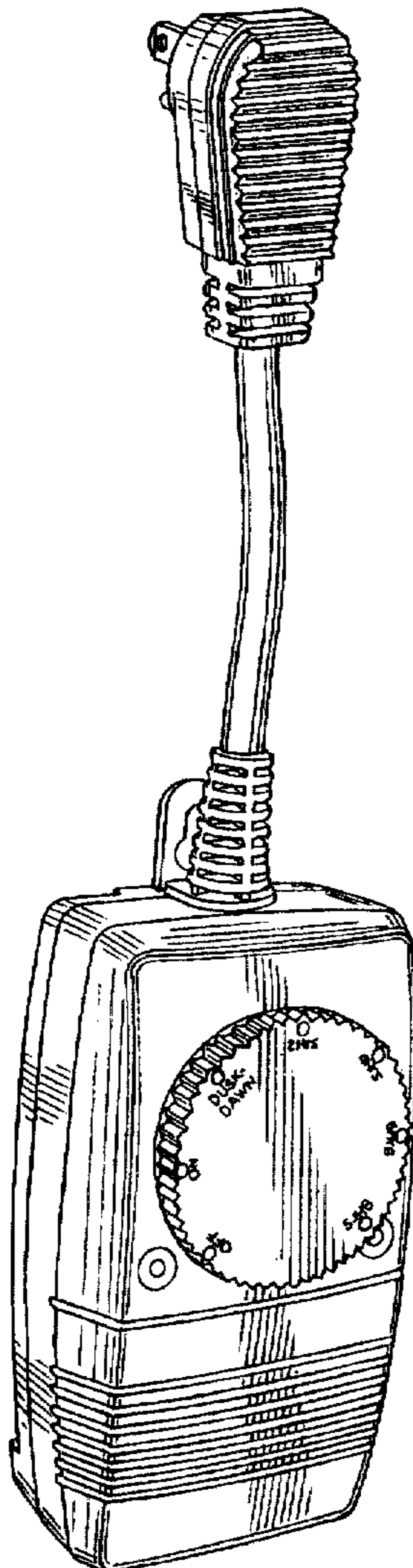


FIG. 1

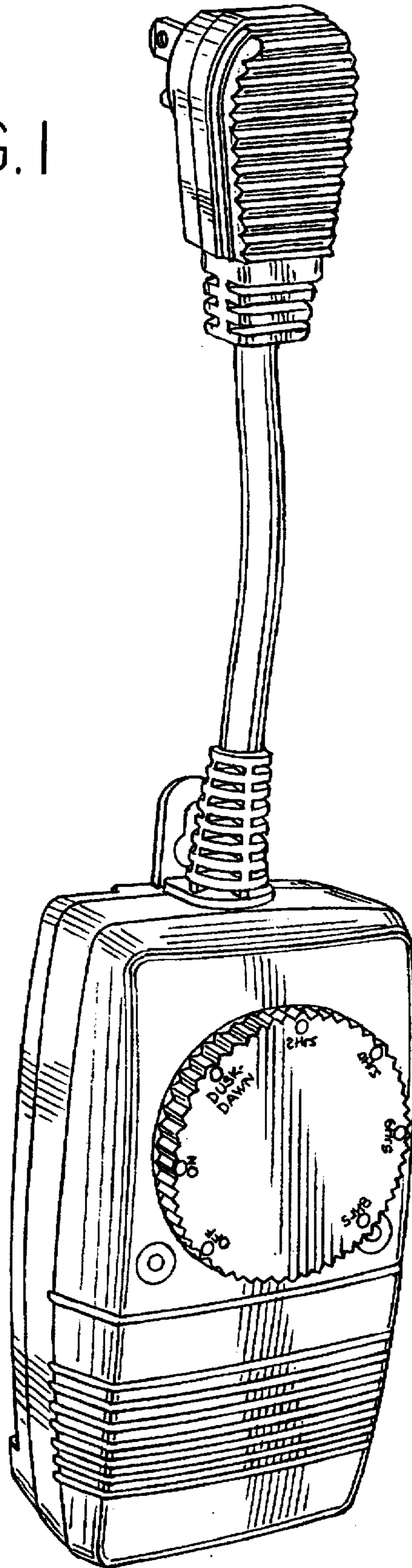


FIG.2

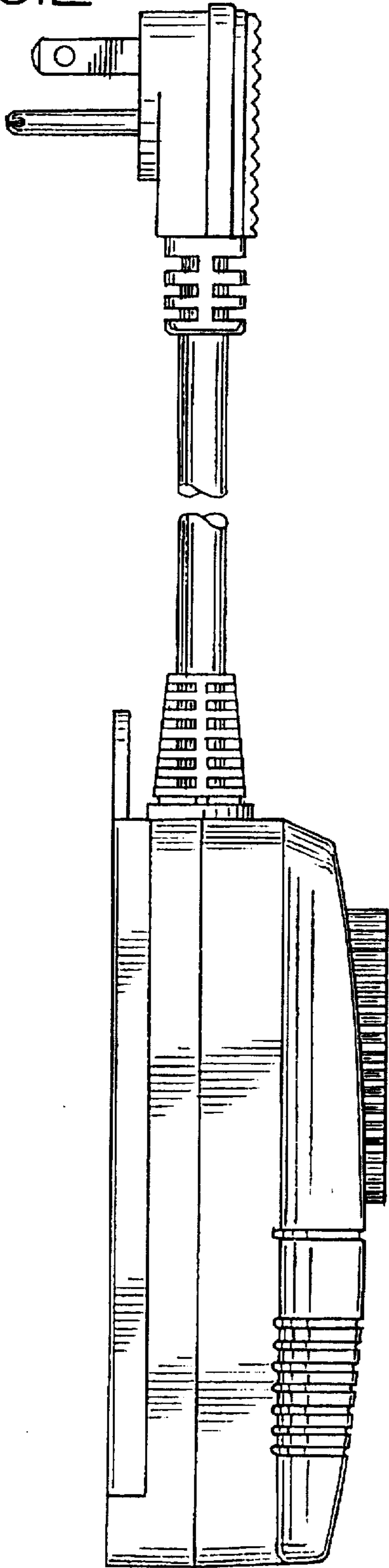


FIG.3

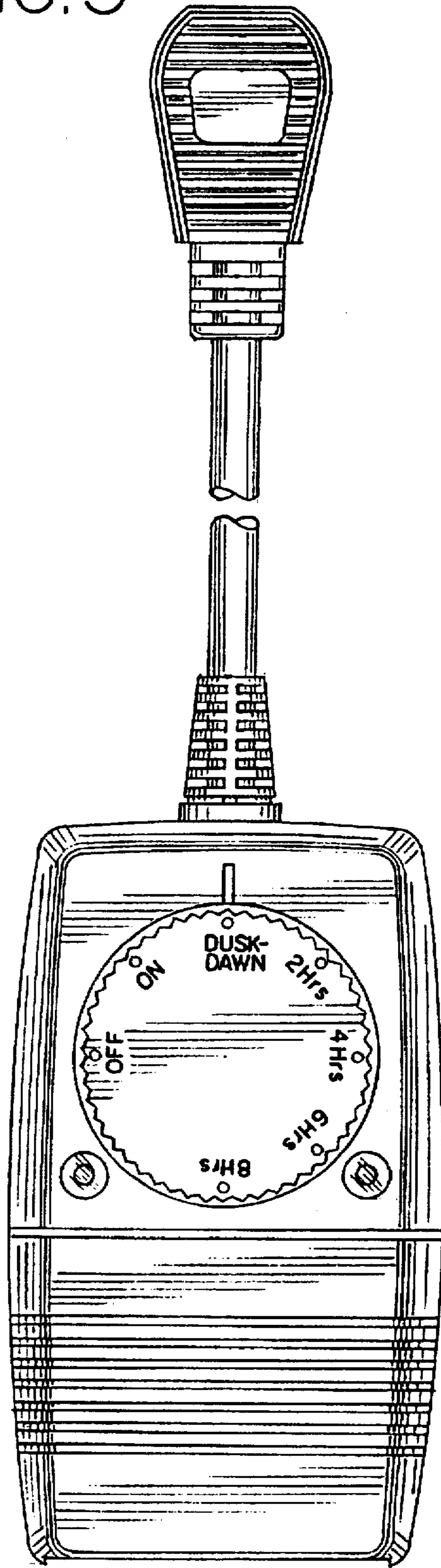


FIG.4

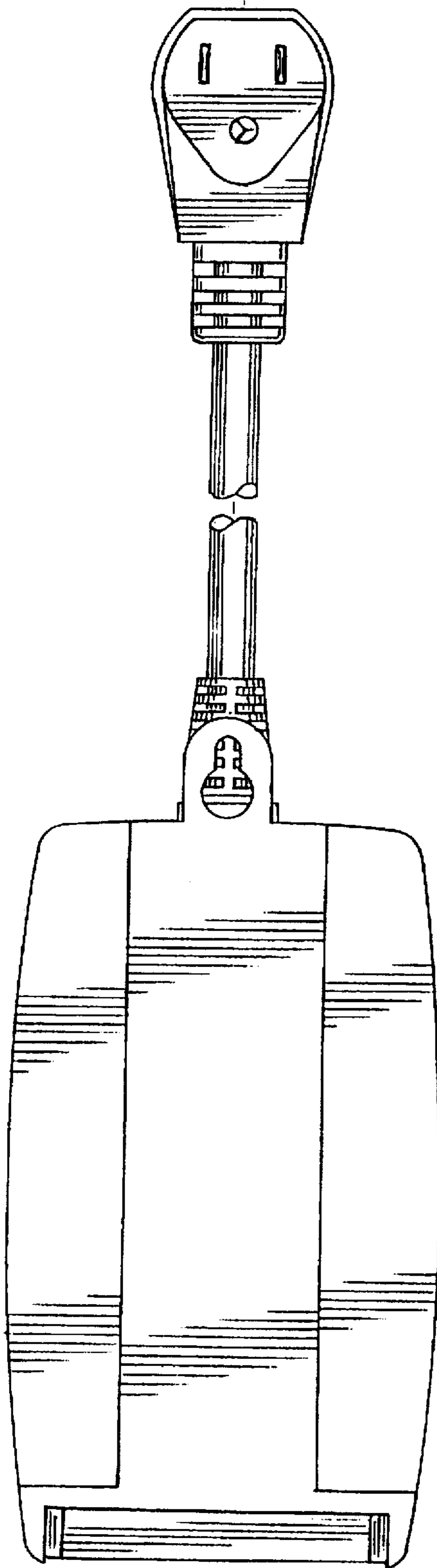


FIG.5

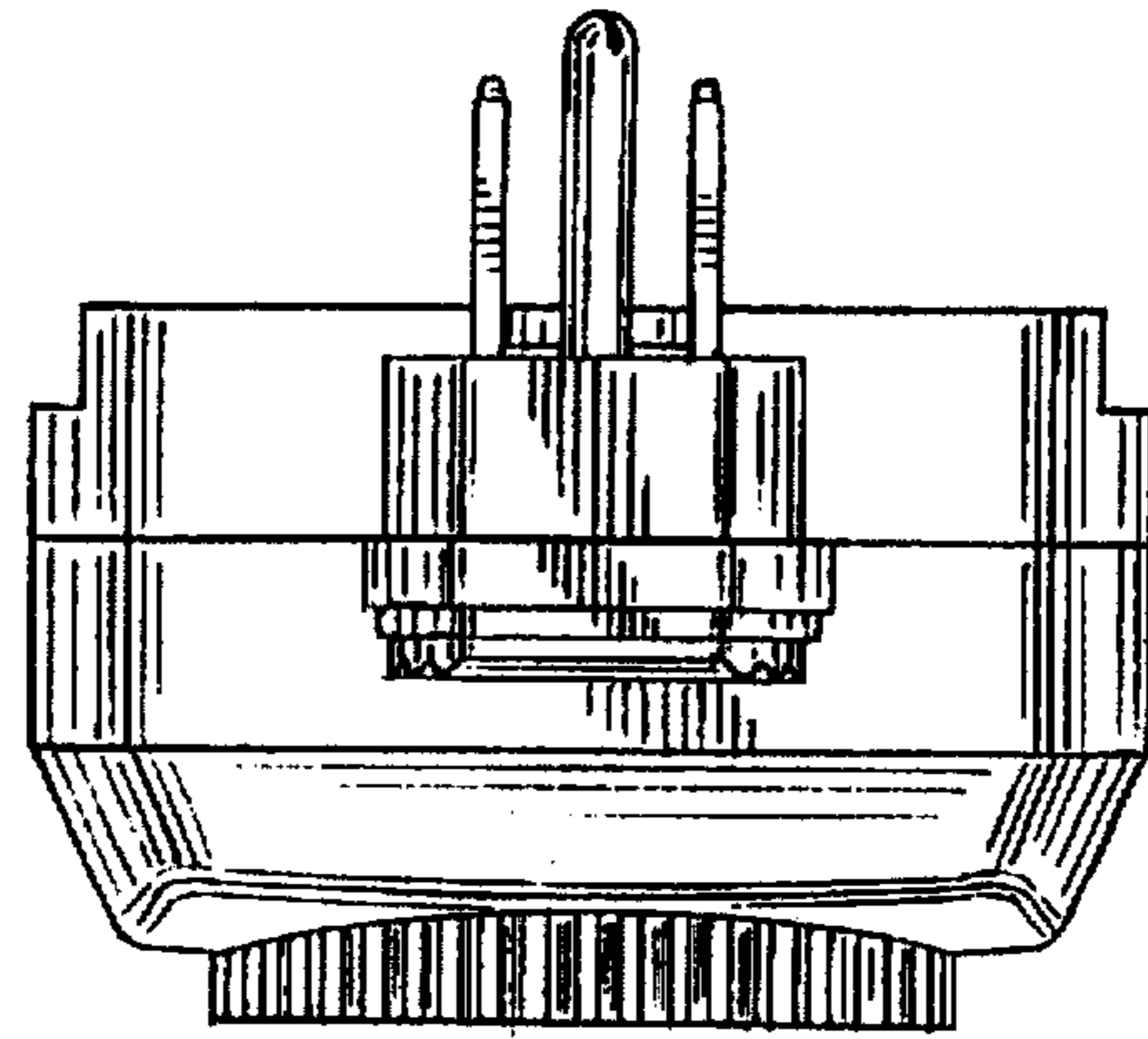


FIG.6

