



US00D386425S

# United States Patent [19] Sang

[11] Patent Number: Des. 386,425

[45] Date of Patent: \*\*Nov. 18, 1997

## [54] BEZEL AND CASING FOR A WATCH

[75] Inventor: Daniel Lai Kong Sang, Shatin, Hong Kong

[73] Assignee: Timex Corporation, Middlebury, Conn.

[\*\*] Term: 14 Years

[21] Appl. No.: 56,604

[22] Filed: Jul. 3, 1996

[51] LOC (6) Cl. .... 10-02

[52] U.S. Cl. .... D10/30; D10/38

[58] Field of Search ..... D10/1-40, 122-132;  
368/280-282, 276-277, 285, 294-295

### [56] References Cited

#### U.S. PATENT DOCUMENTS

D. 314,517	2/1991	DuBois	.....	D10/39
D. 356,961	4/1995	Giardiello	.....	D10/39
D. 359,916	7/1995	Iida	.....	D10/39
D. 361,521	8/1995	Koga	.....	D10/30
D. 364,572	11/1995	Goto	.....	D10/39
D. 371,307	7/1996	Tomita	.....	D10/38

## OTHER PUBLICATIONS

*European Jeweler* (G.Z)—Jun. 1983—p. 46—watch at bottom-left.

*Primary Examiner*—Nelson C. Holtje  
*Attorney, Agent, or Firm*—Paul R. Juhasz

## [57] CLAIM

The ornamental design for a "bezel and casing for a watch", as shown and described.

## DESCRIPTION

FIG. 1 is a perspective elevational view of a "bezel and casing for a watch";  
FIG. 2 is a top plan view thereof;  
FIG. 3 is an end elevational view thereof;  
FIG. 4 is the other end elevational view thereof;  
FIG. 5 is a right side elevational view thereof;  
FIG. 6 is a left side elevational view thereof; and,  
FIG. 7 is a bottom plan view thereof.

1 Claim, 3 Drawing Sheets

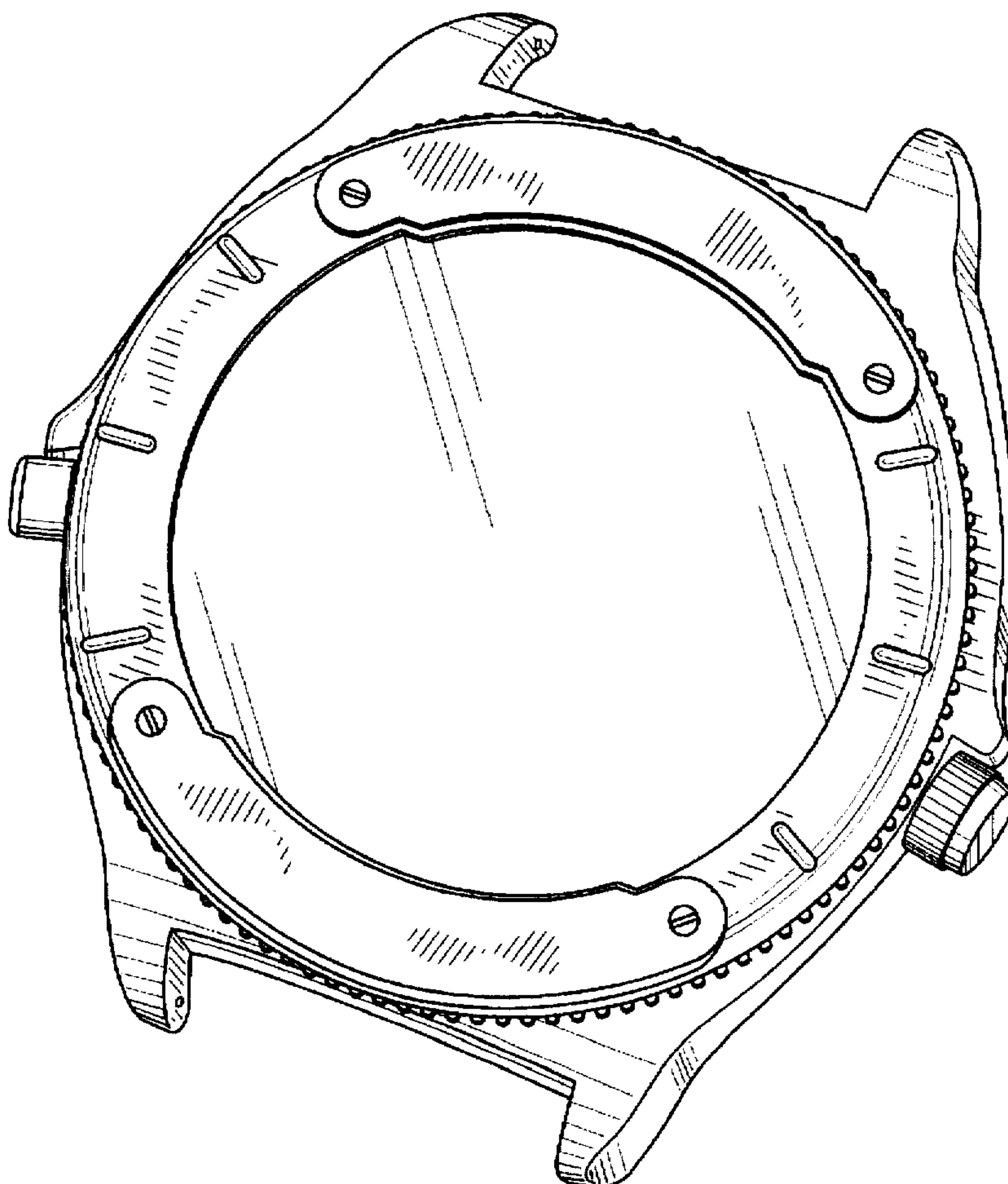


FIG. 1

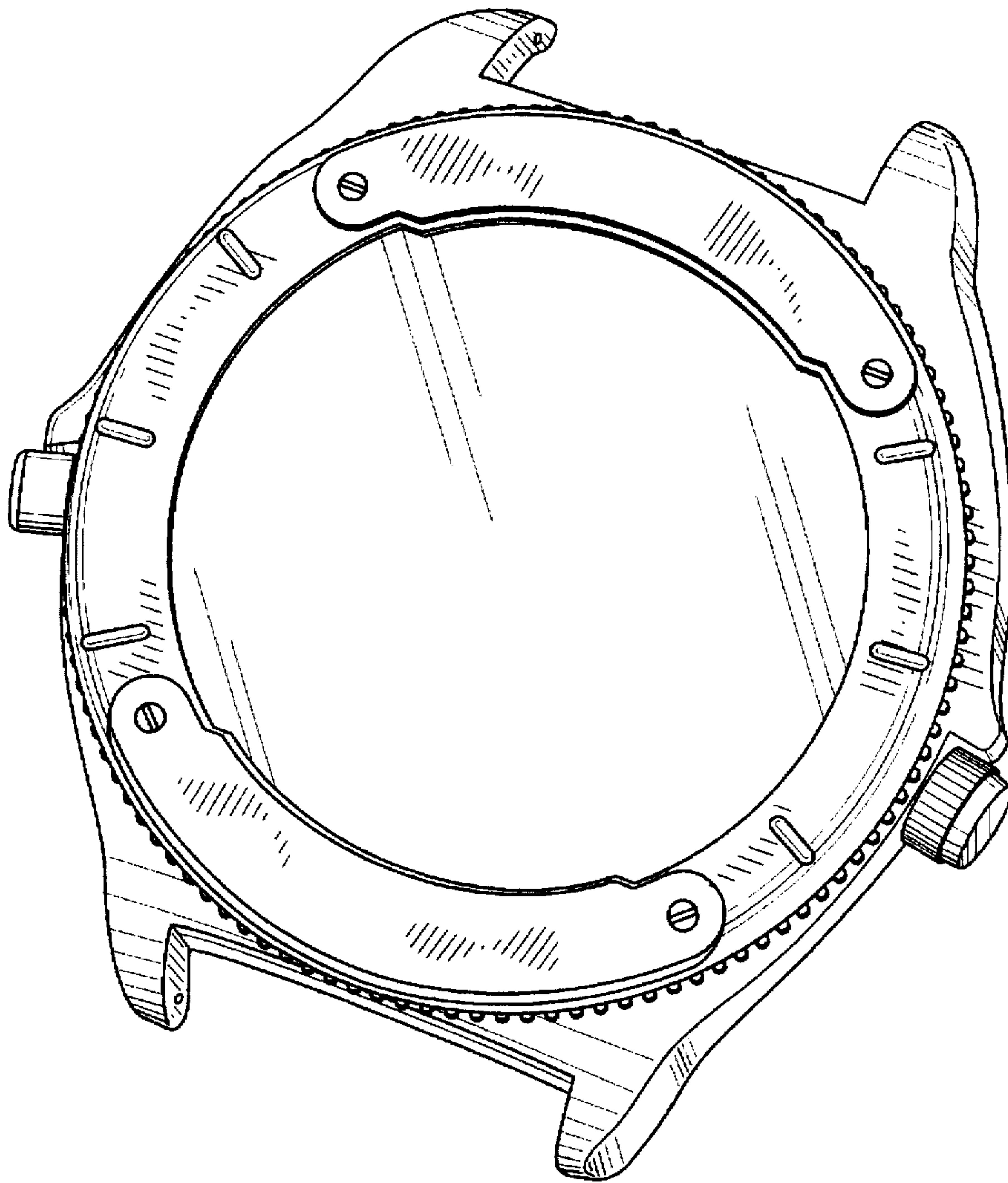


FIG. 5

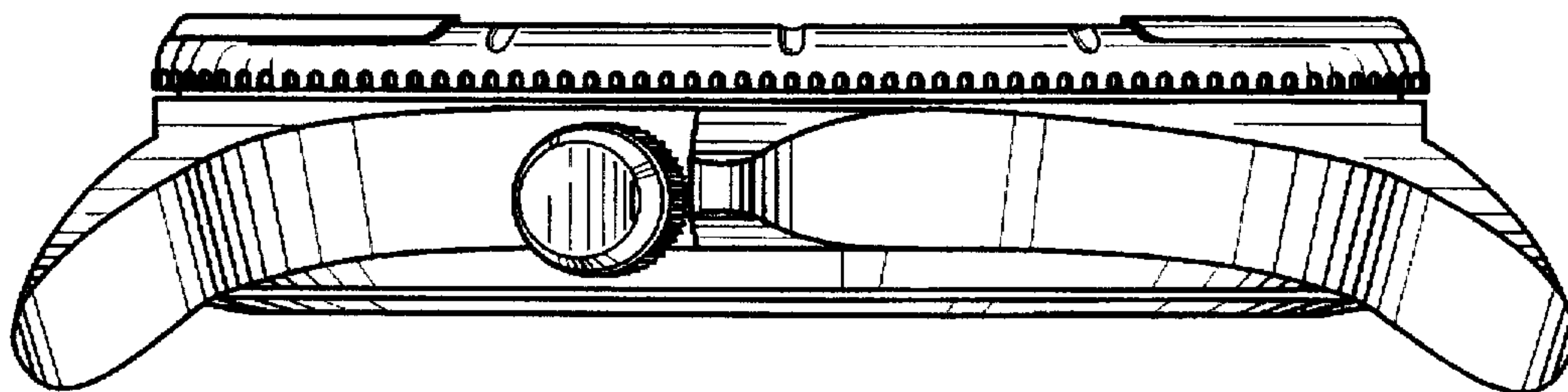


FIG. 2

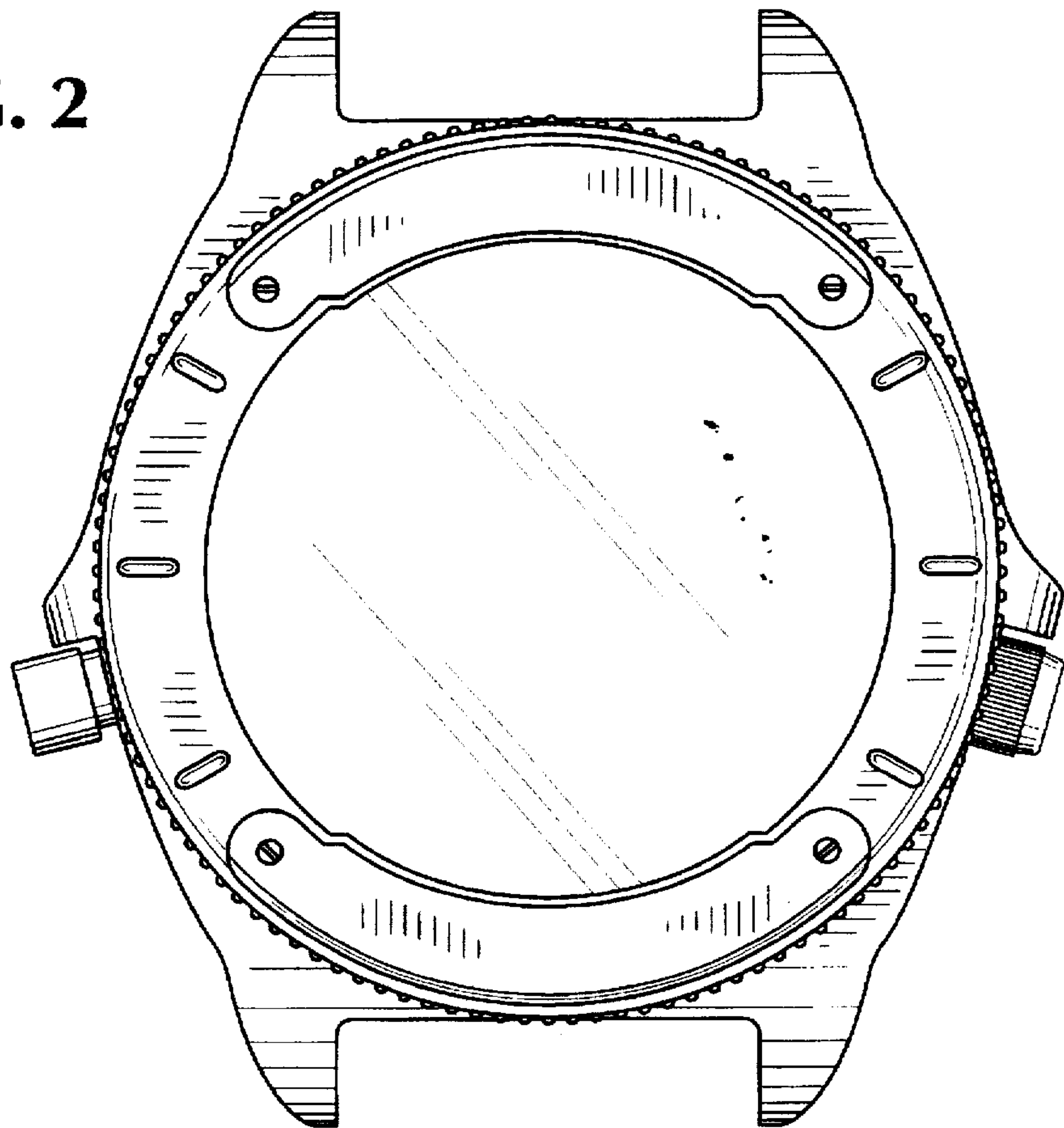


FIG. 3

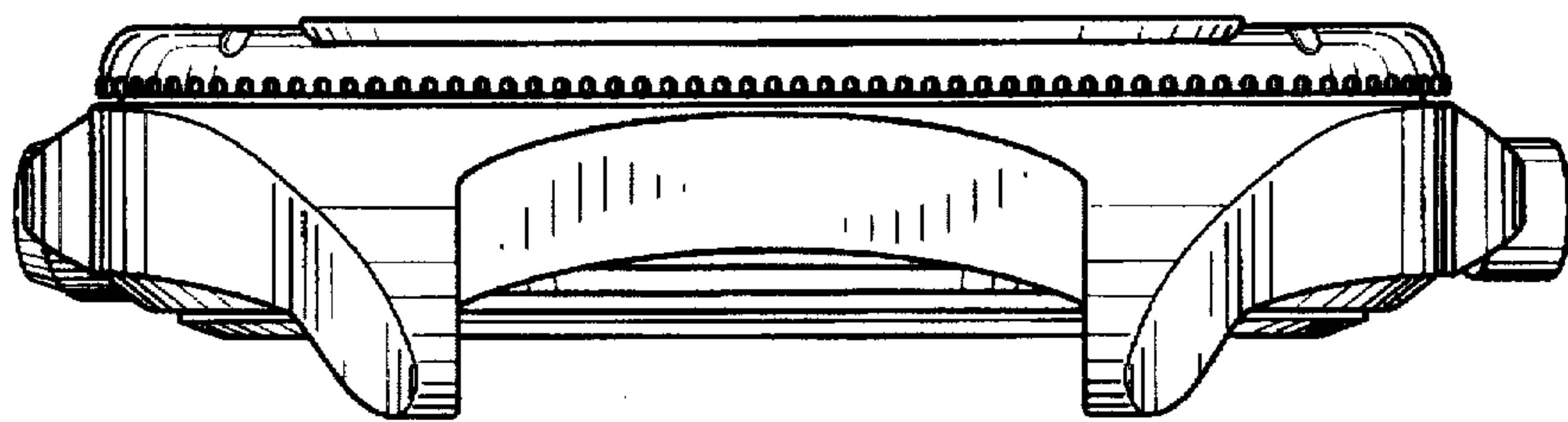
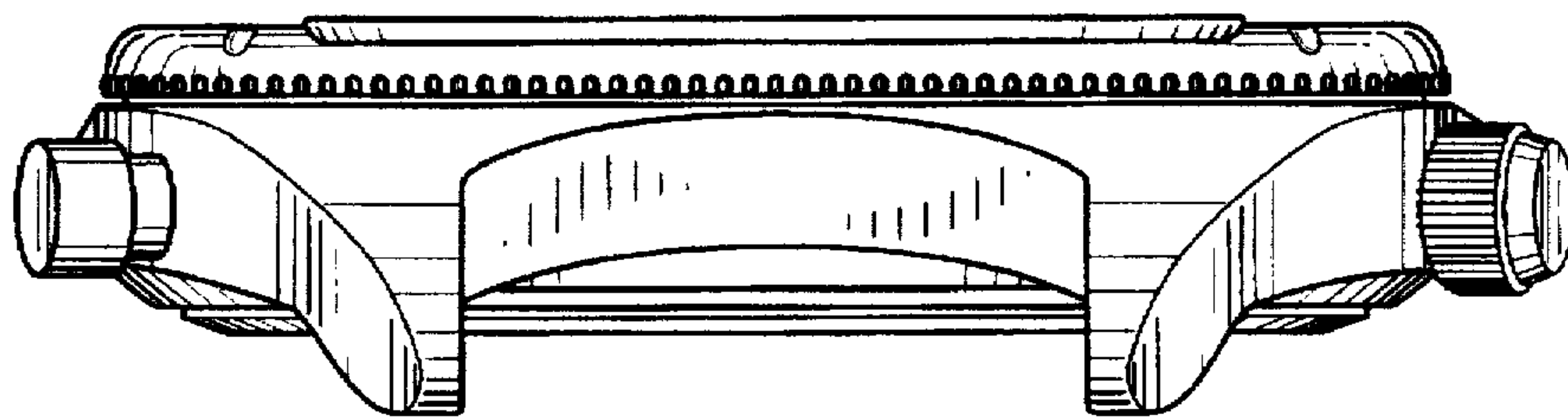
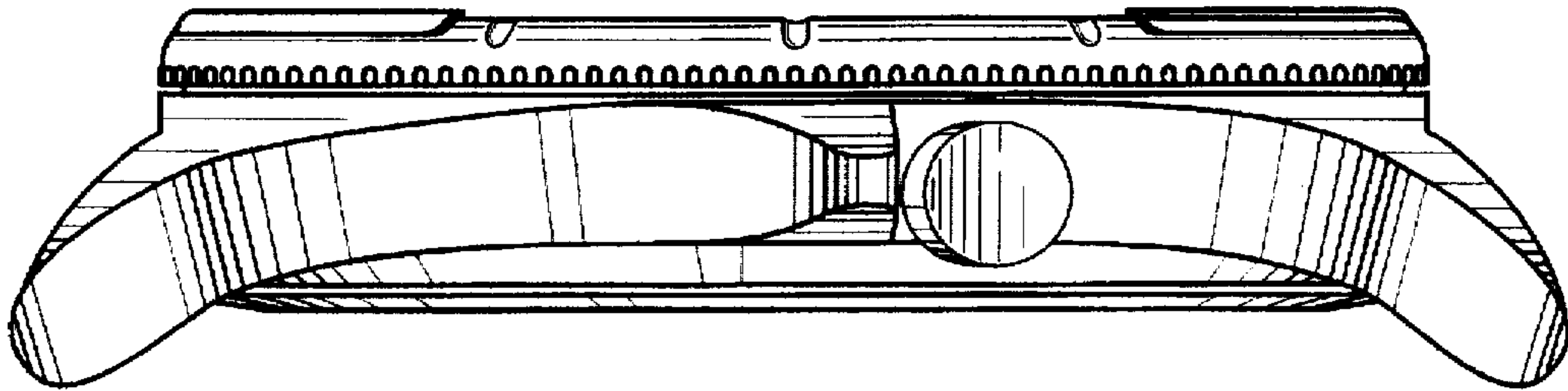


FIG. 4





**FIG. 6**



**FIG. 7**

