

US00D386409S

United States Patent [19] Santini

[11] Patent Number: Des. 386,409
[45] Date of Patent: **Nov. 18, 1997

[54] **GROCERY BAGS HANDLE**

[76] Inventor: **Luis A. Santini**, Calle 1 #49 Hermanas Davala, Bayamon, Puerto Rico, 00959

[**] Term: **14 Years**

[21] Appl. No.: **65,700**

[22] Filed: **Sep. 24, 1996**

Related U.S. Application Data

[63] Continuation-in-part of Ser. No. 35,751, Mar. 6, 1995, Pat. No. Des. 379,432.

[51] LOC (6) Cl. **09-07**

[52] U.S. Cl. **D9/434**

[58] Field of Search D9/434, 455, 499; D8/300, 313, 315; D3/315; 294/170, 171, 158, 159; 383/6, 13, 15, 23, 24; 220/752, 755, 759, 770; 16/114 B, 114 R, 110.5

[56] **References Cited**

U.S. PATENT DOCUMENTS

- D. 24,291 5/1895 Somers D9/434 X
- D. 35,096 9/1901 Carry D9/434 X
- D. 101,060 9/1936 Munn D9/434

- D. 137,712 4/1944 Miano 294/170 X
- D. 219,111 11/1970 Moen 294/170 X
- D. 352,902 11/1994 Halverson D9/434 X
- D. 356,258 3/1995 Hult D9/434
- 4,772,133 9/1988 Volk 383/13 X
- 5,447,259 9/1995 Erickson 220/759

Primary Examiner—Jeffrey Asch
Attorney, Agent, or Firm—Joe Chalverus

[57] **CLAIM**

The ornamental design for a grocery bags handle, as shown and described.

DESCRIPTION

FIG. 1 is a front elevational view of a grocery bags handle showing my new design, the broken line showings of a hand and grocery bags being for illustrative purposes only and form no part of the claimed design; FIG. 2 is a perspective view thereof; FIG. 3 is a rear elevational view thereof, the rear elevational view and the front elevational view being identical thereto; FIG. 4 is a left side elevational view thereof; FIG. 5 is a right side elevational view thereof; FIG. 6 is a bottom plan view thereof; and, FIG. 7 is a top plan view thereof.

1 Claim, 1 Drawing Sheet

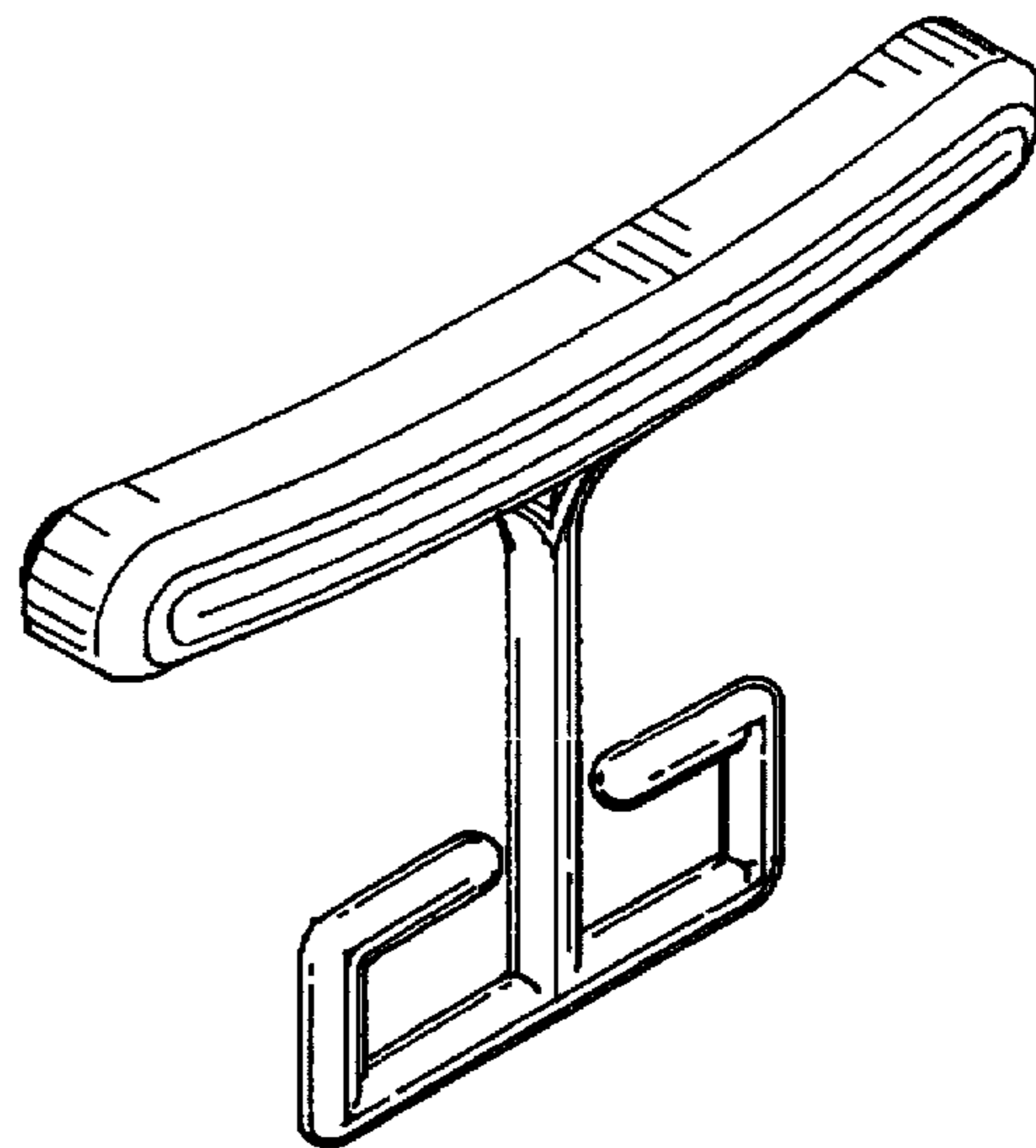
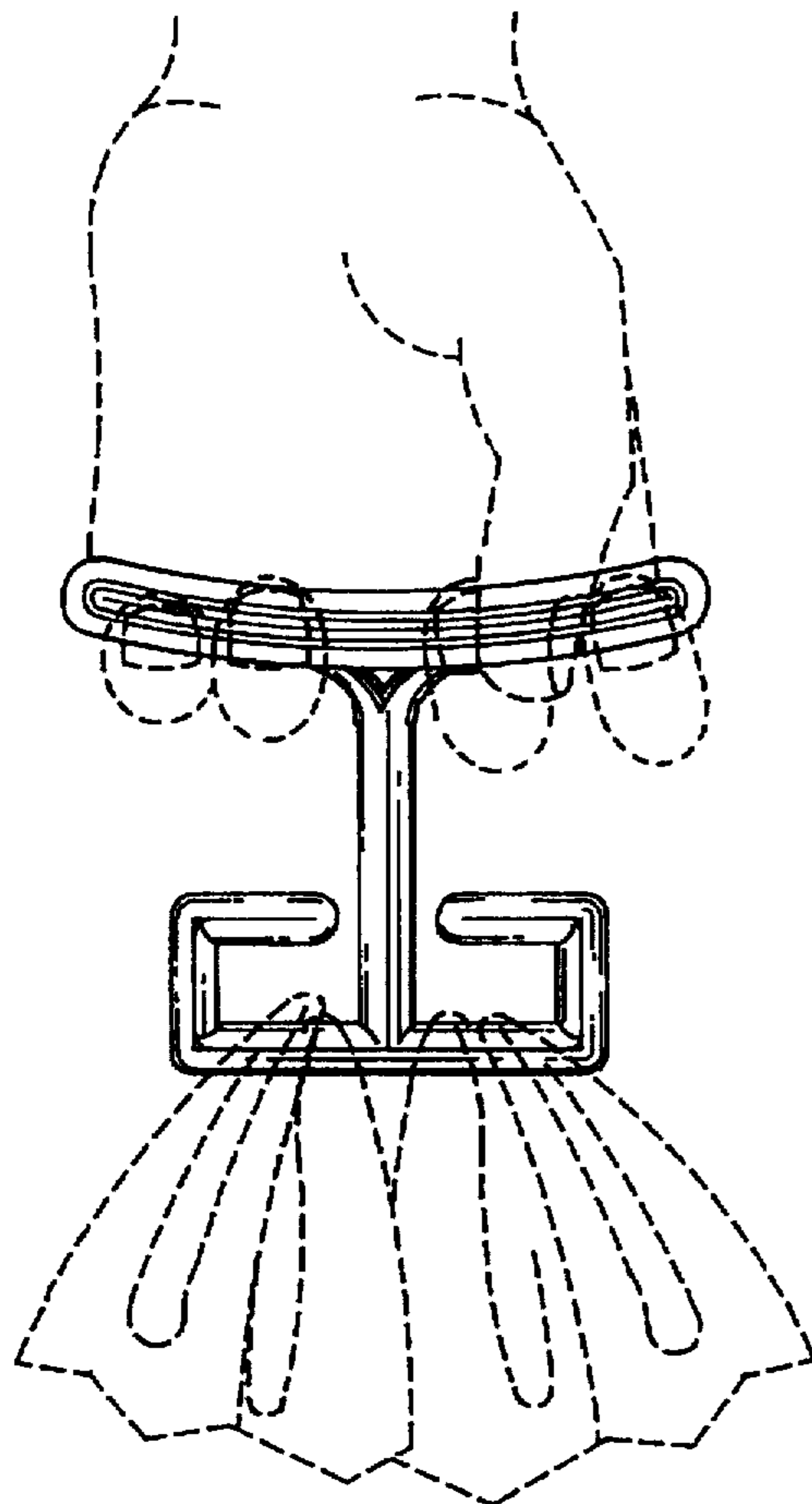


FIG. 1

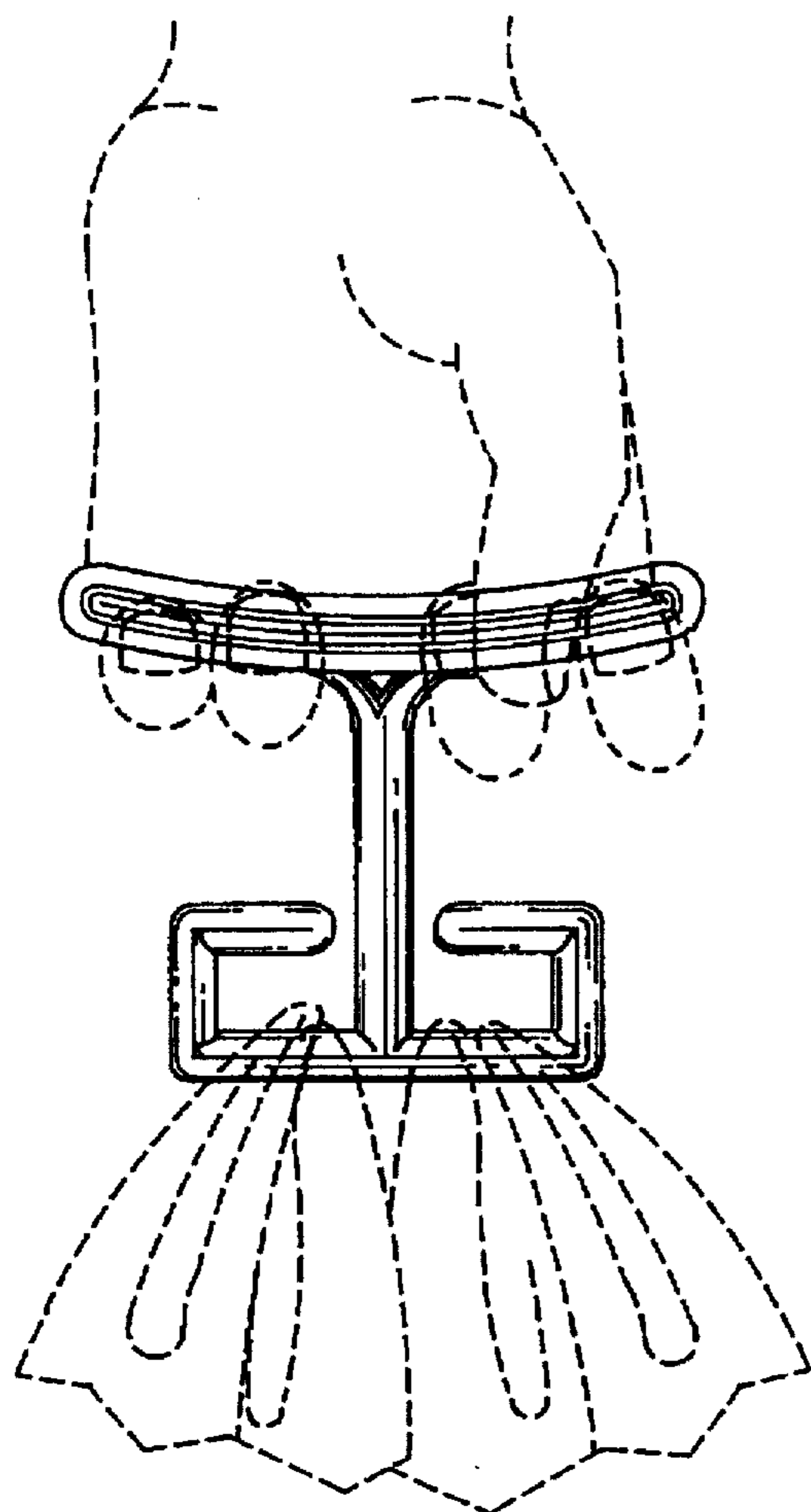


FIG. 2

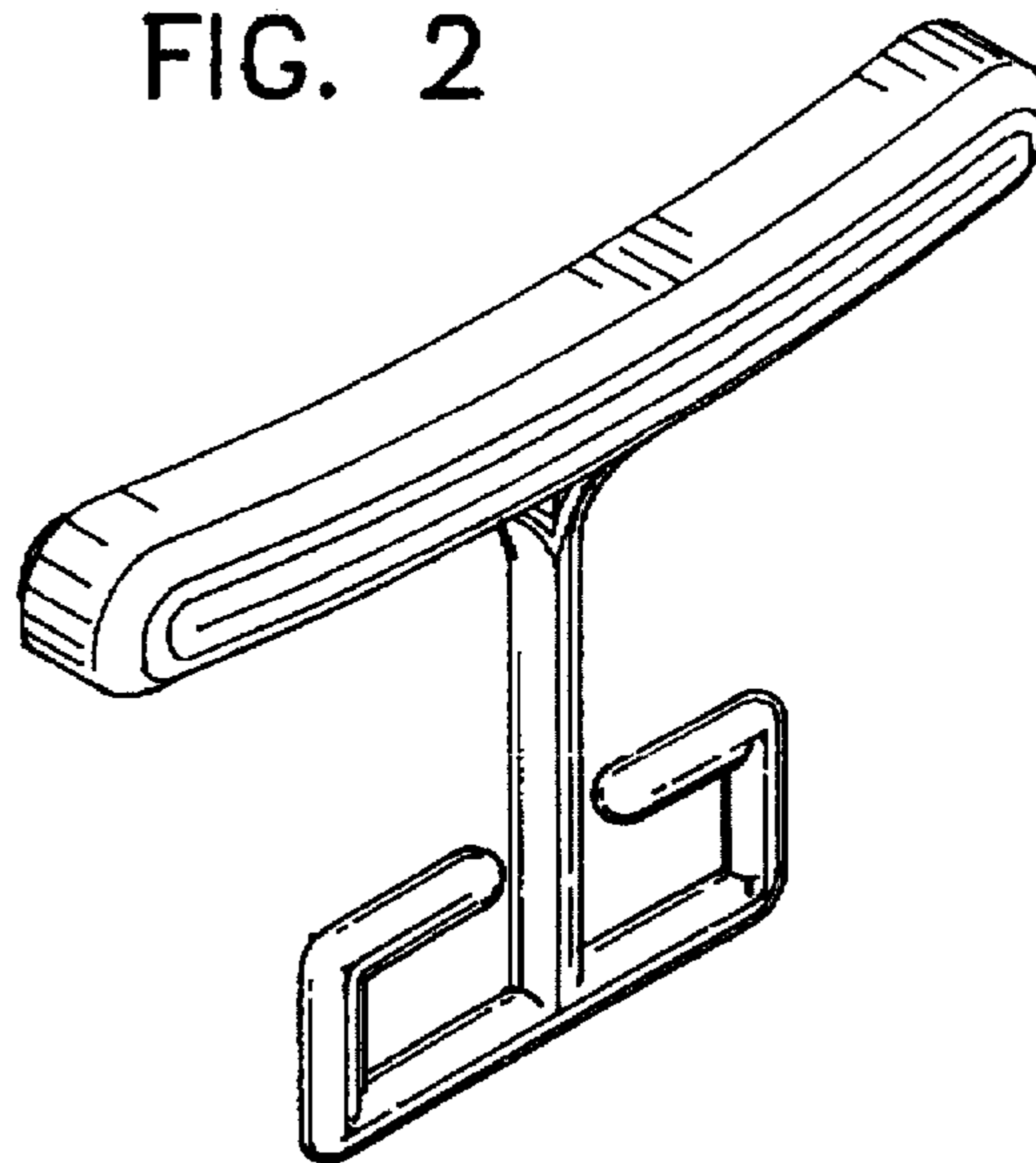


FIG. 3

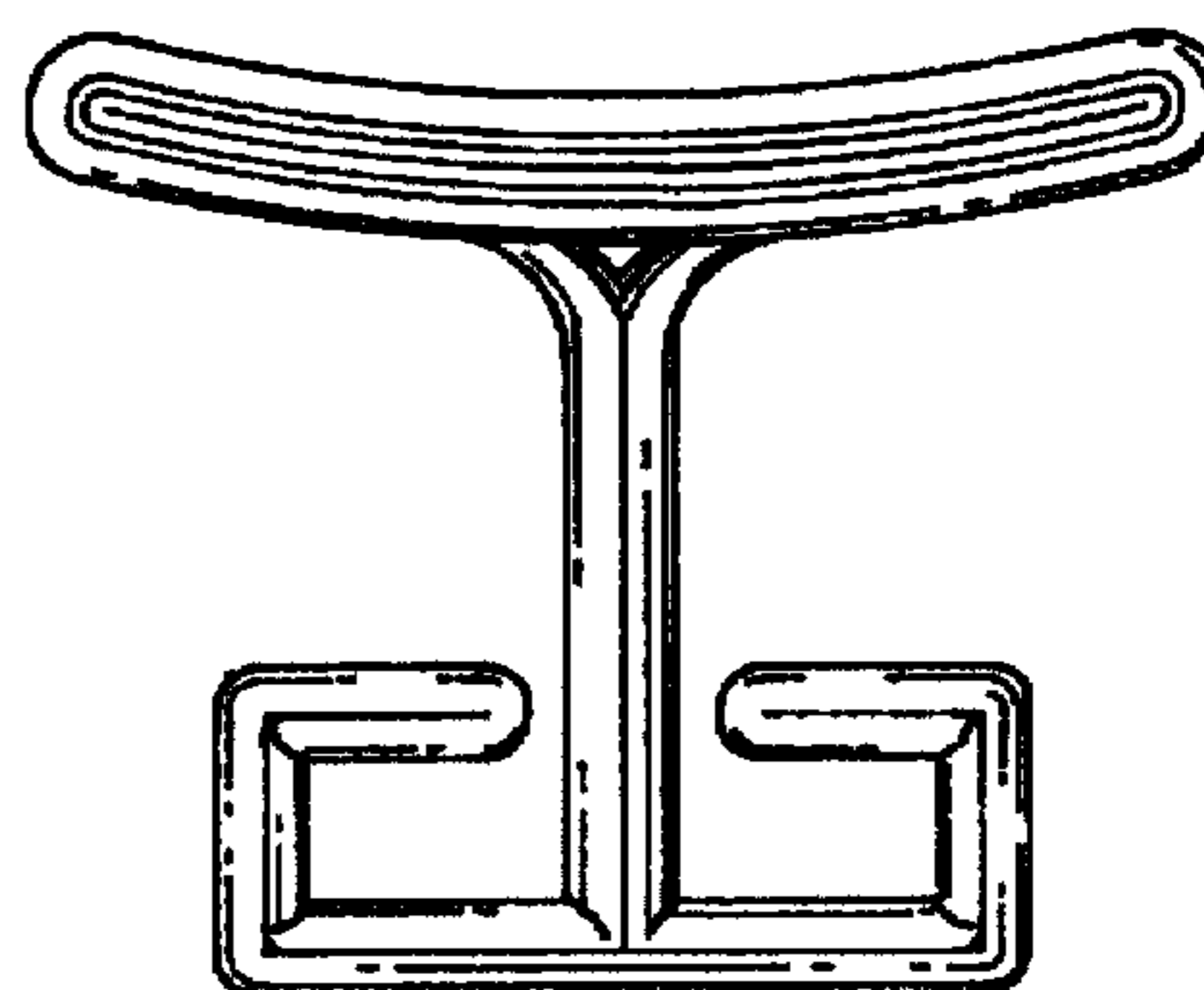


FIG. 4



FIG. 5



FIG. 6

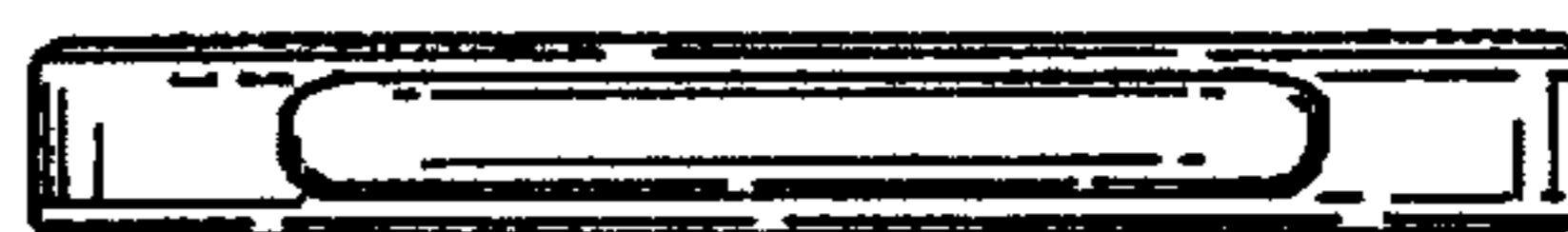


FIG. 7

