

US00D386408S

# United States Patent [19]

[11] Patent Number: **Des. 386,408**

Wasielewski et al.

[45] Date of Patent: **\*\*Nov. 18, 1997**

## [54] BEVERAGE BOTTLE CARRIER

2,461,317	2/1949	Dreher	.....	294/87.2	X
2,697,629	12/1954	Mushrush	.....	294/87.28	
2,996,329	8/1961	Glazer	.....	294/87.2	

[76] Inventors: **Kenneth D. Wasielewski**, 26 Gold St., Buffalo, N.Y. 14206; **David J. Wasielewski**, 627 23rd St., Apt. 3, Niagara Falls, N.Y. 14301

*Primary Examiner*—James Gandy  
*Assistant Examiner*—Cathron B. Matta  
*Attorney, Agent, or Firm*—Crossetta & Associates

[\*\*] Term: **14 Years**

## [57] CLAIM

[21] Appl. No.: **41,440**

The ornamental design for a beverage bottle carrier, as shown and described.

[22] Filed: **Jul. 14, 1995**

## DESCRIPTION

[51] LOC (6) Cl. .... **09-07**

[52] U.S. Cl. .... **D9/434; D9/455**

[58] **Field of Search** ..... D9/434, 455, 499; D3/315, 316; 206/147, 151, 158, 159, 160, 199; 215/228, 392, 393; 220/212, 737; 248/146, 311.3; 294/87.2, 87.28, 159

FIG. 1 is a perspective view of a beverage bottle carrier showing our new design;

FIG. 2 is a top plan view view of the beverage bottle carrier of FIG. 1, the bottom plan view being a mirror image thereof;

FIG. 3 is a right side elevational view of the beverage bottle carrier of FIG. 1, the left side elevational view being a mirror image thereof; and,

FIG. 4 is a front elevational view of the beverage bottle carrier of FIG. 1, the rear elevational view being a mirror image thereof.

The broken line showing of a handle is for illustrative purposes only and forms no part of the claimed design.

## [56] References Cited

### U.S. PATENT DOCUMENTS

D. 137,810	5/1944	Jackson	.....	294/87.2	X
D. 180,901	9/1957	Glazer	.....	206/151	X
D. 329,380	9/1992	Hazlett et al.	.....	D9/434	X
D. 331,698	12/1992	Pezzoli et al.	.....	D9/434	
2,074,248	3/1937	Barbour	.....	248/311.3	X
2,435,833	2/1948	Hazelet	.....	294/87.28	

**1 Claim, 1 Drawing Sheet**

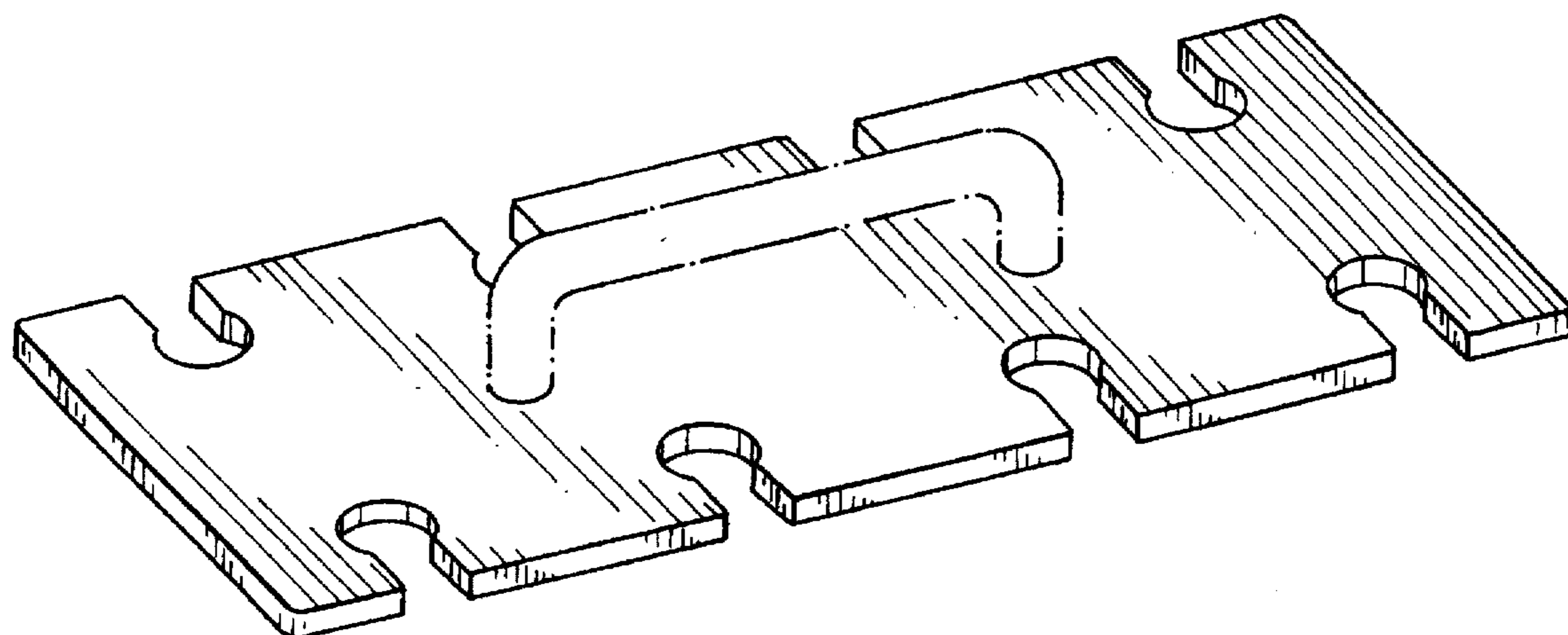


FIG. 1

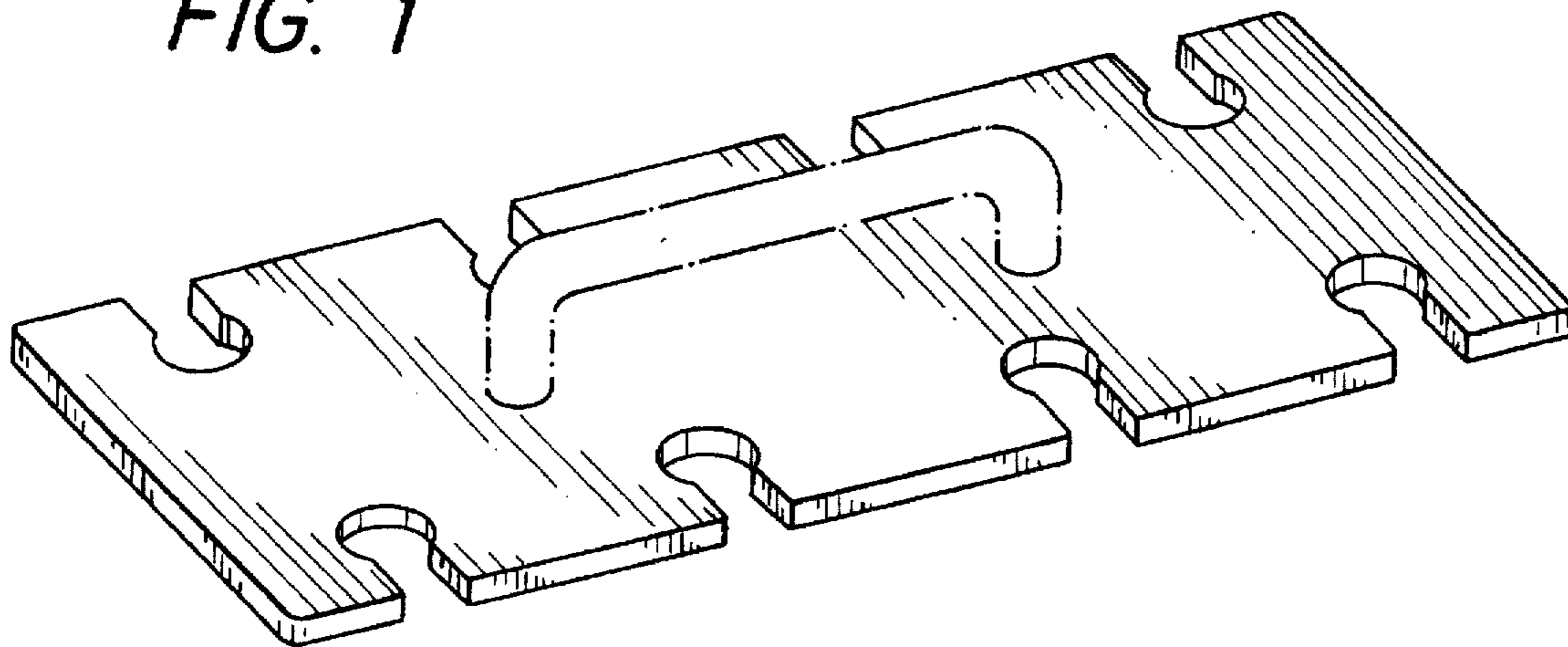


FIG. 2

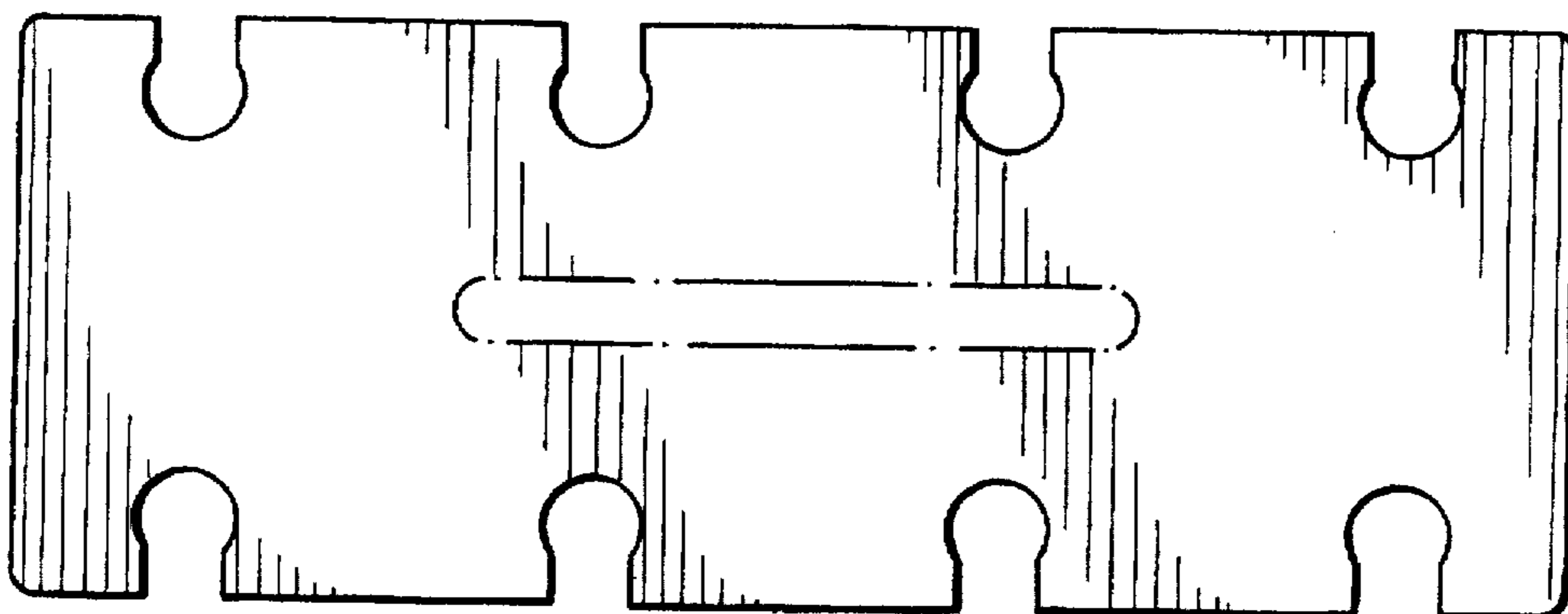


FIG. 3

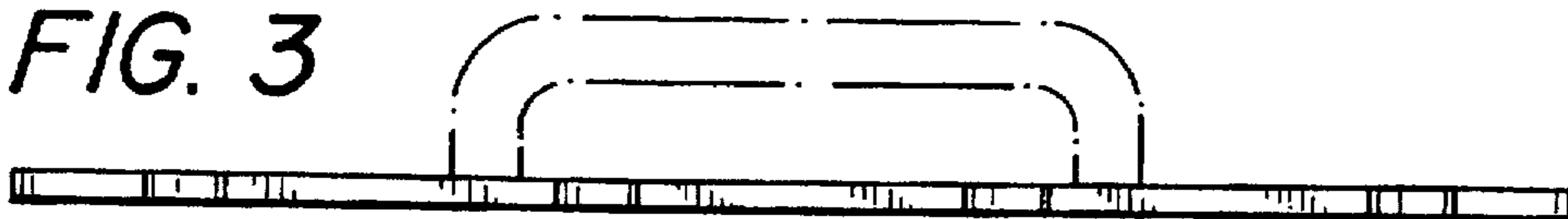


FIG. 4

