



US00D386406S

United States Patent [19]
House

[11] **Patent Number:** **Des. 386,406**
[45] **Date of Patent:** ****Nov. 18, 1997**

[54] **PACKAGE FOR COMPACT DISK**

[75] **Inventor:** **Richard F. House, St. Charles, Ill.**

[73] **Assignee:** **Jefferson Smurfit Corporation,**
Clayton, Mo.

[**] **Term:** **14 Years**

[21] **Appl. No.:** **53,664**

[22] **Filed:** **Apr. 29, 1996**

[51] **LOC (6) Cl.** **09-07**

[52] **U.S. Cl.** **D9/433**

[58] **Field of Search** **D6/407; D9/346,**
D9/347, 414, 415, 418, 432, 433; D14/109,
114, 117, 120-122; 206/232, 308.1, 308.3

[56] **References Cited**

U.S. PATENT DOCUMENTS

D. 293,507	1/1988	Ogusu	D14/121
D. 349,851	8/1994	Olsson	D9/346
4,473,153	9/1984	Colangelo	206/308.3 X
5,085,318	2/1992	Leverick	206/308.1
5,460,265	10/1995	Kiolbasa	206/308.1

FOREIGN PATENT DOCUMENTS

93024927 12/1993 WIPO 206/308.1

Primary Examiner—Sandra L. Morris
Assistant Examiner—Nanda Bondade
Attorney, Agent, or Firm—Richard W. Carpenter

[57] **CLAIM**

The ornamental design for a package for compact disk, as shown and described.

DESCRIPTION

FIG. 1 is a front, top, and left side perspective view of the inside of a package for compact disk showing my new design;

FIG. 2 is a top plan view of the structure of FIG. 1;

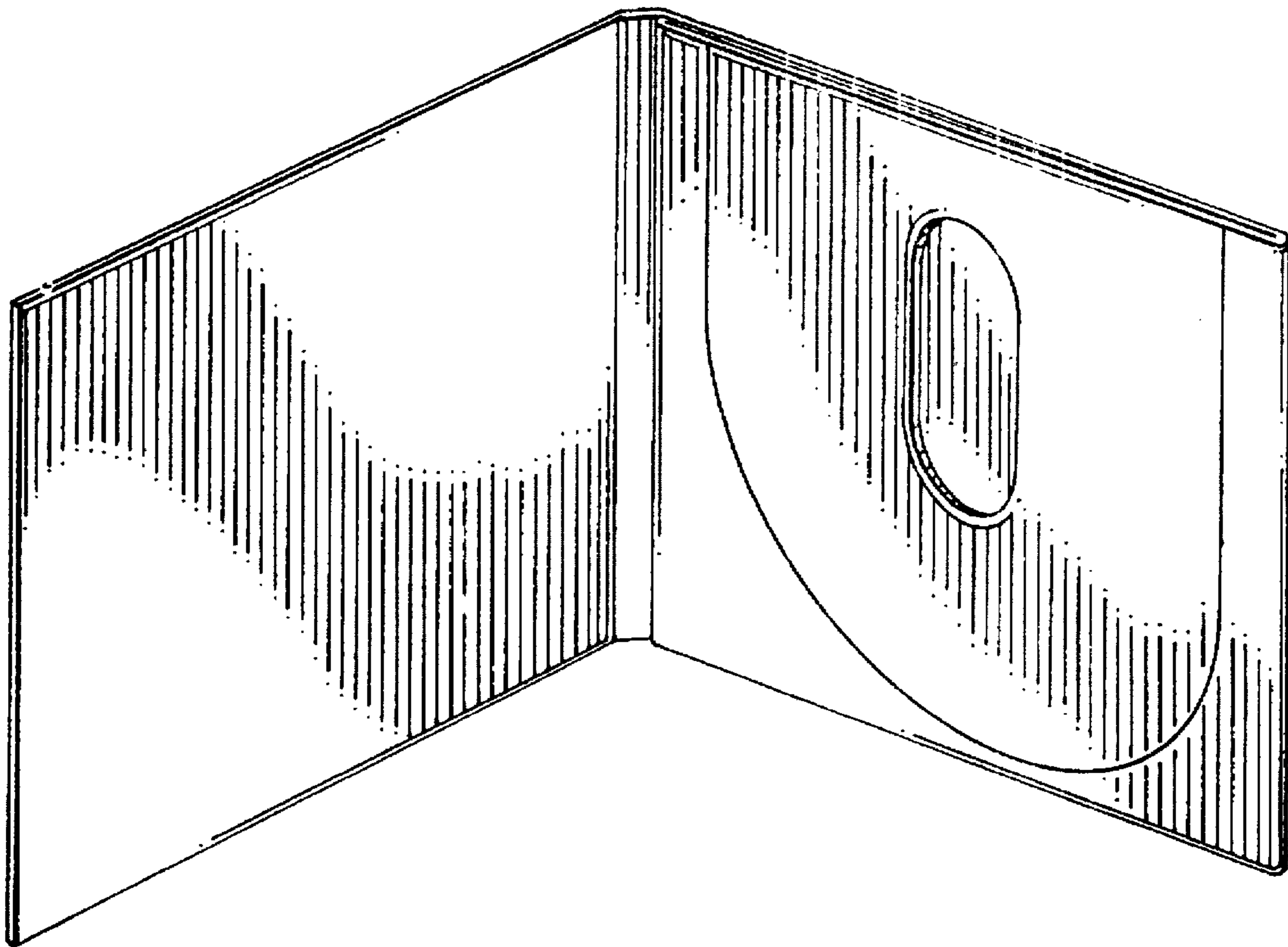
FIG. 3 is a bottom plan view of the structure of FIG. 1;

FIG. 4 is a front elevational view of the structure of FIG. 1; and,

FIG. 5 is a rear elevational view of the structure of FIG. 1.

FIGS. 4 and 5 are on a reduced scale.

1 Claim, 1 Drawing Sheet



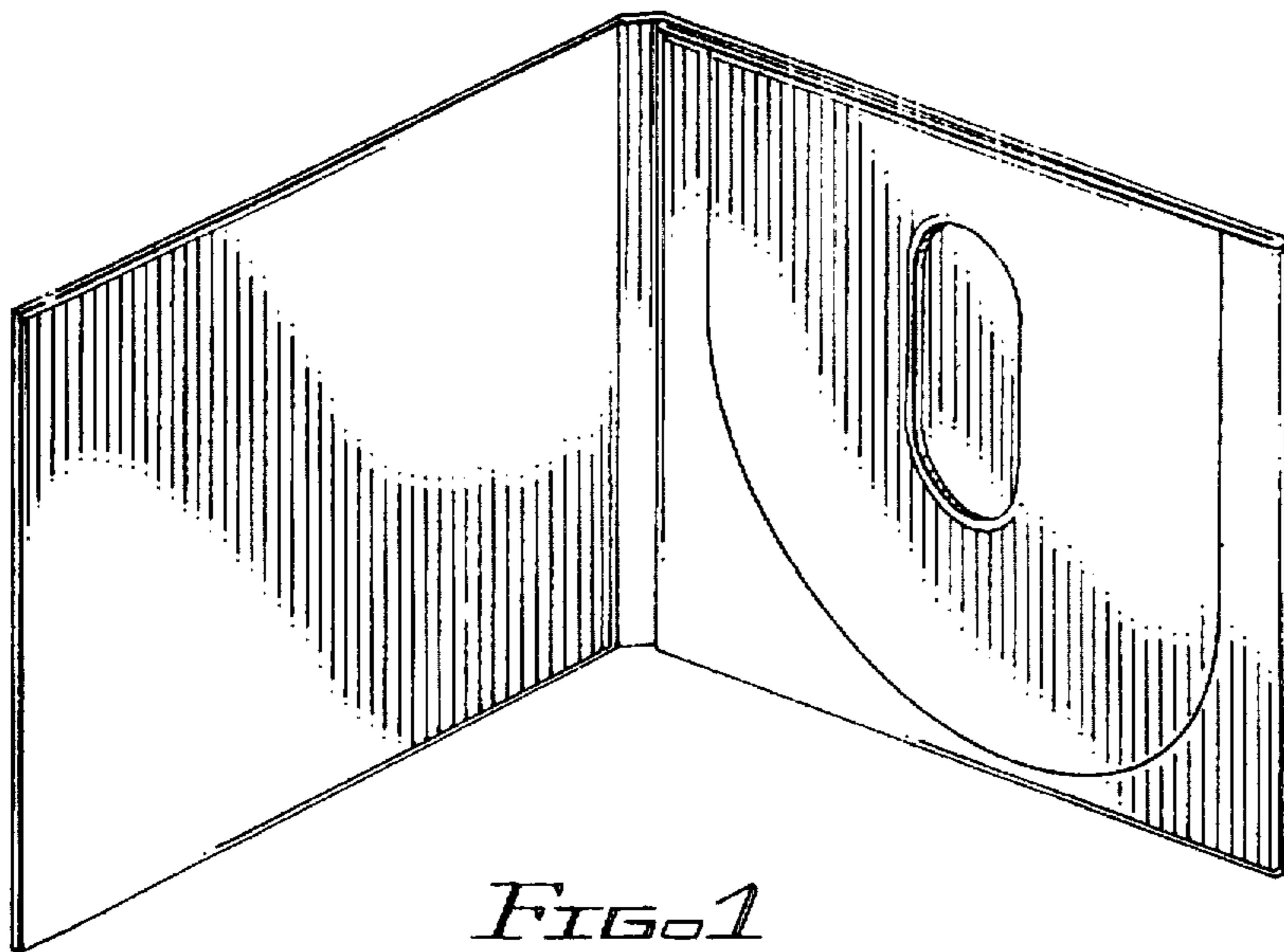


FIG. 1

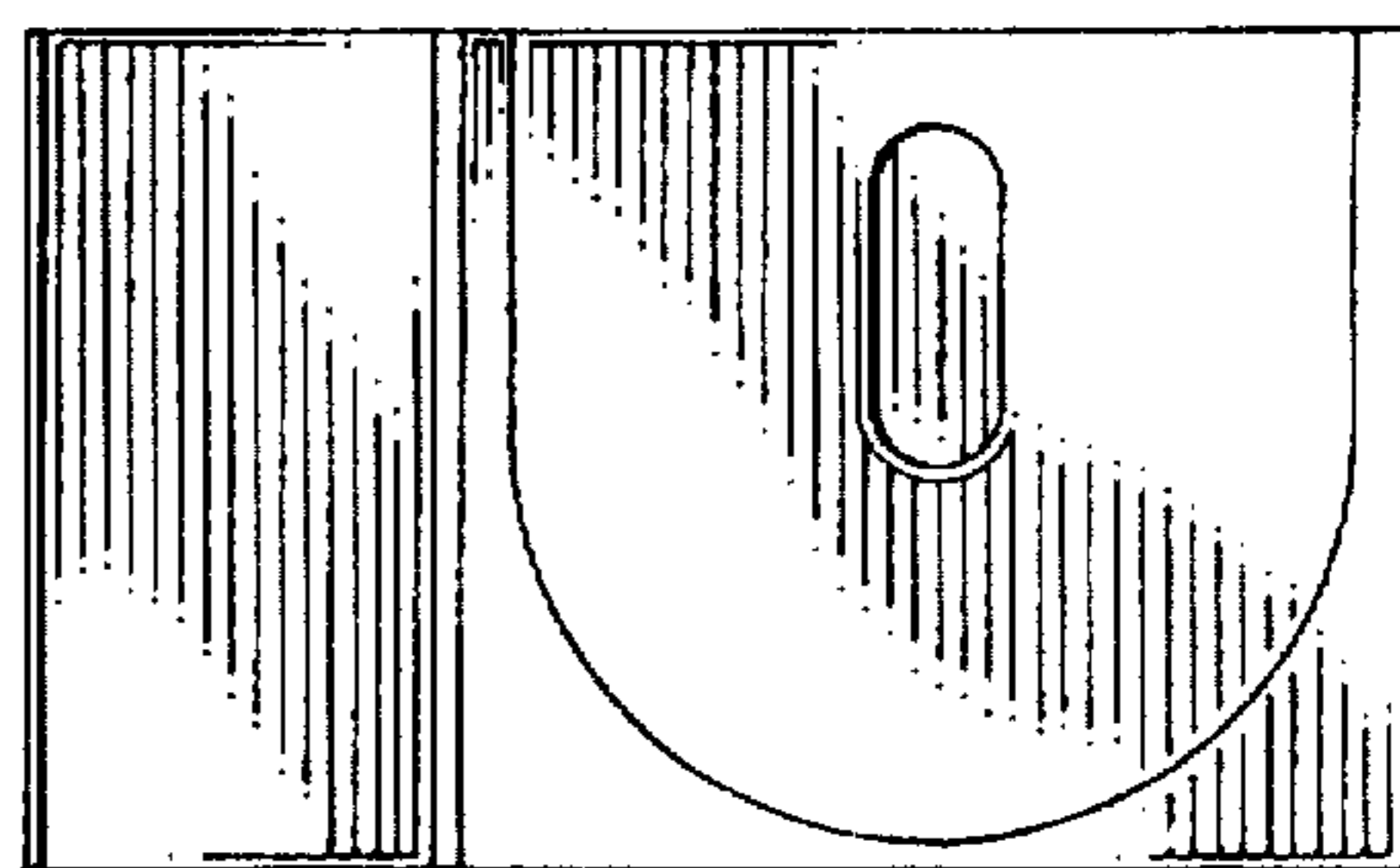


FIG. 4

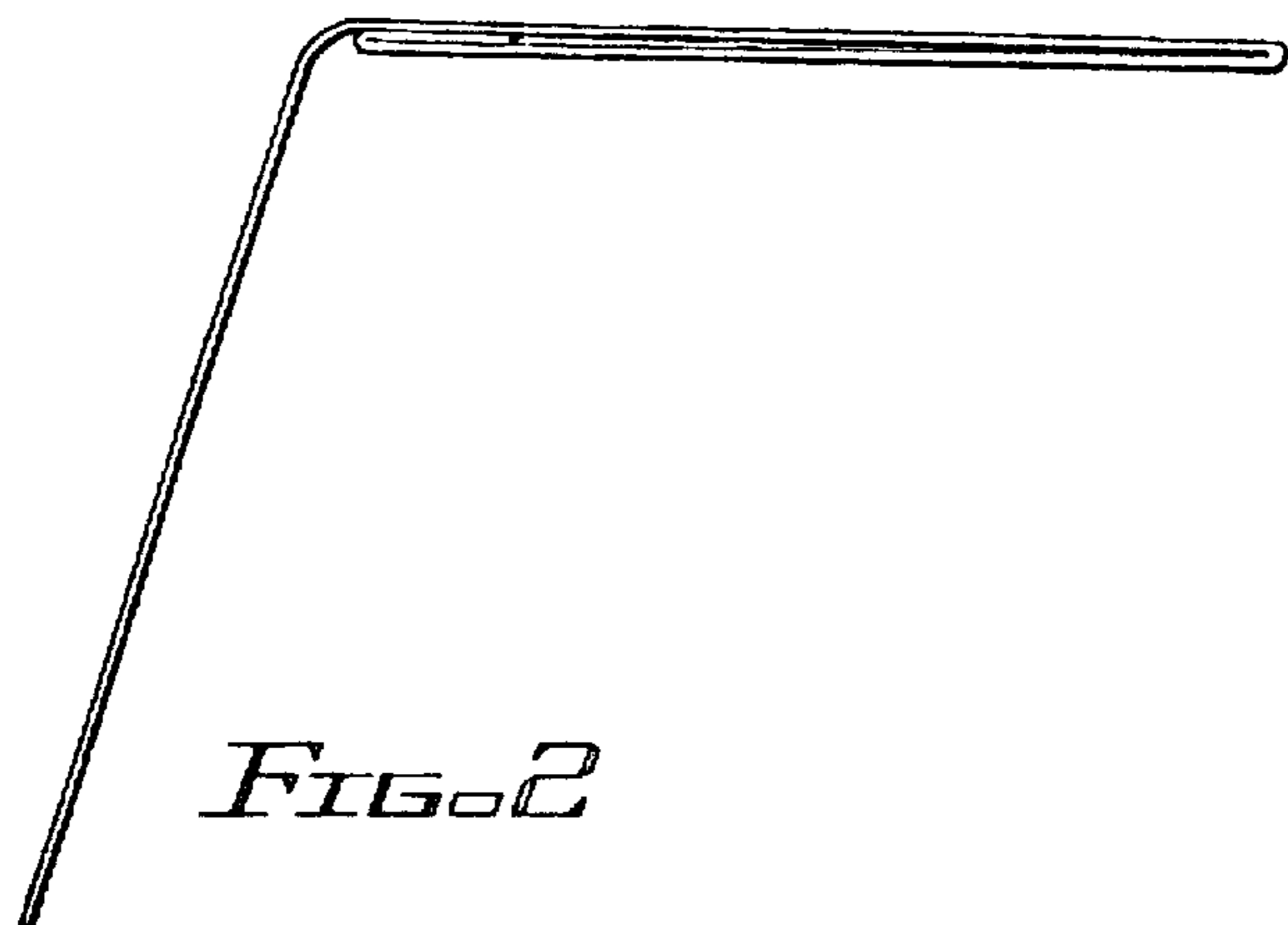


FIG. 2

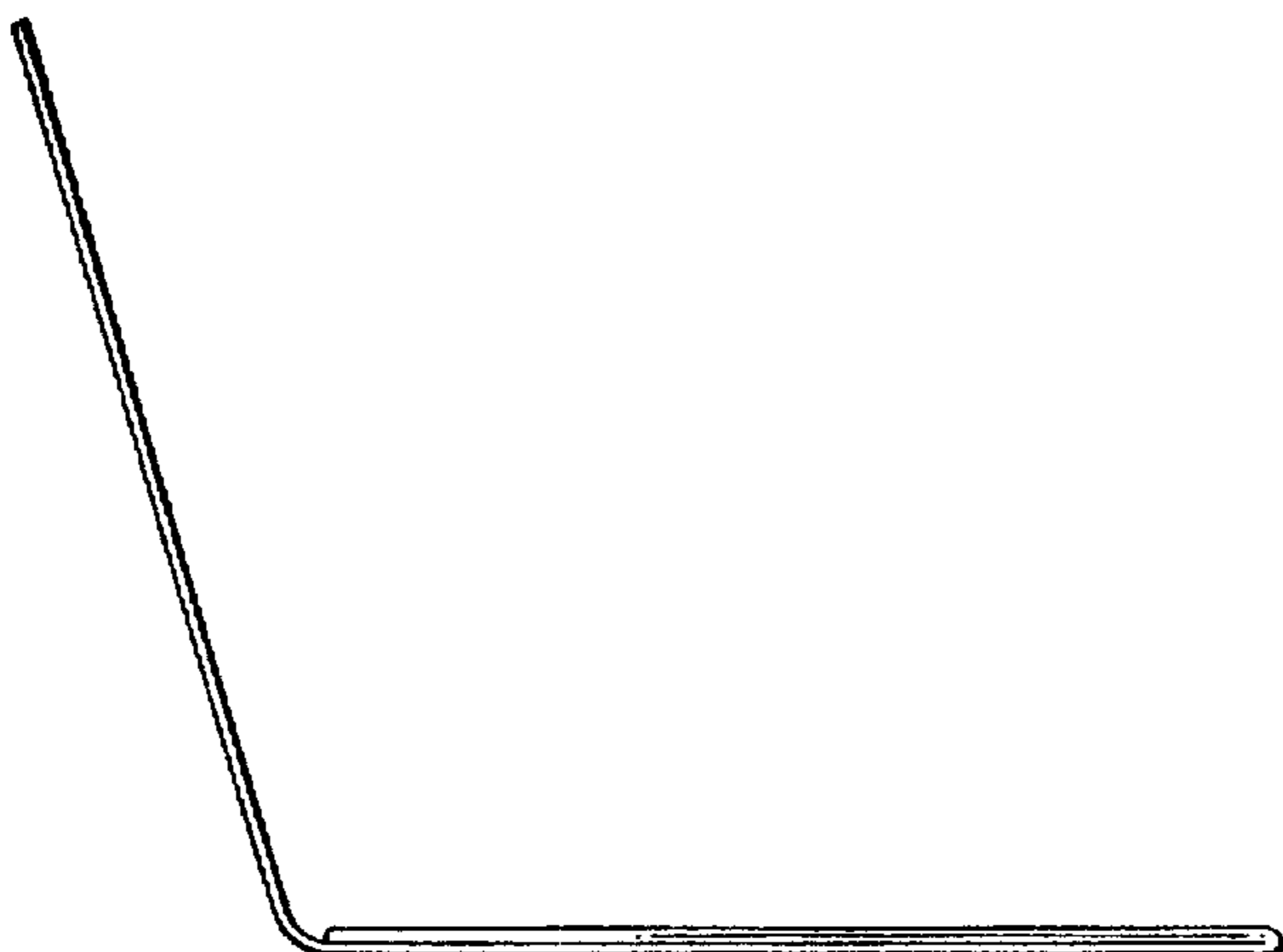


FIG. 3

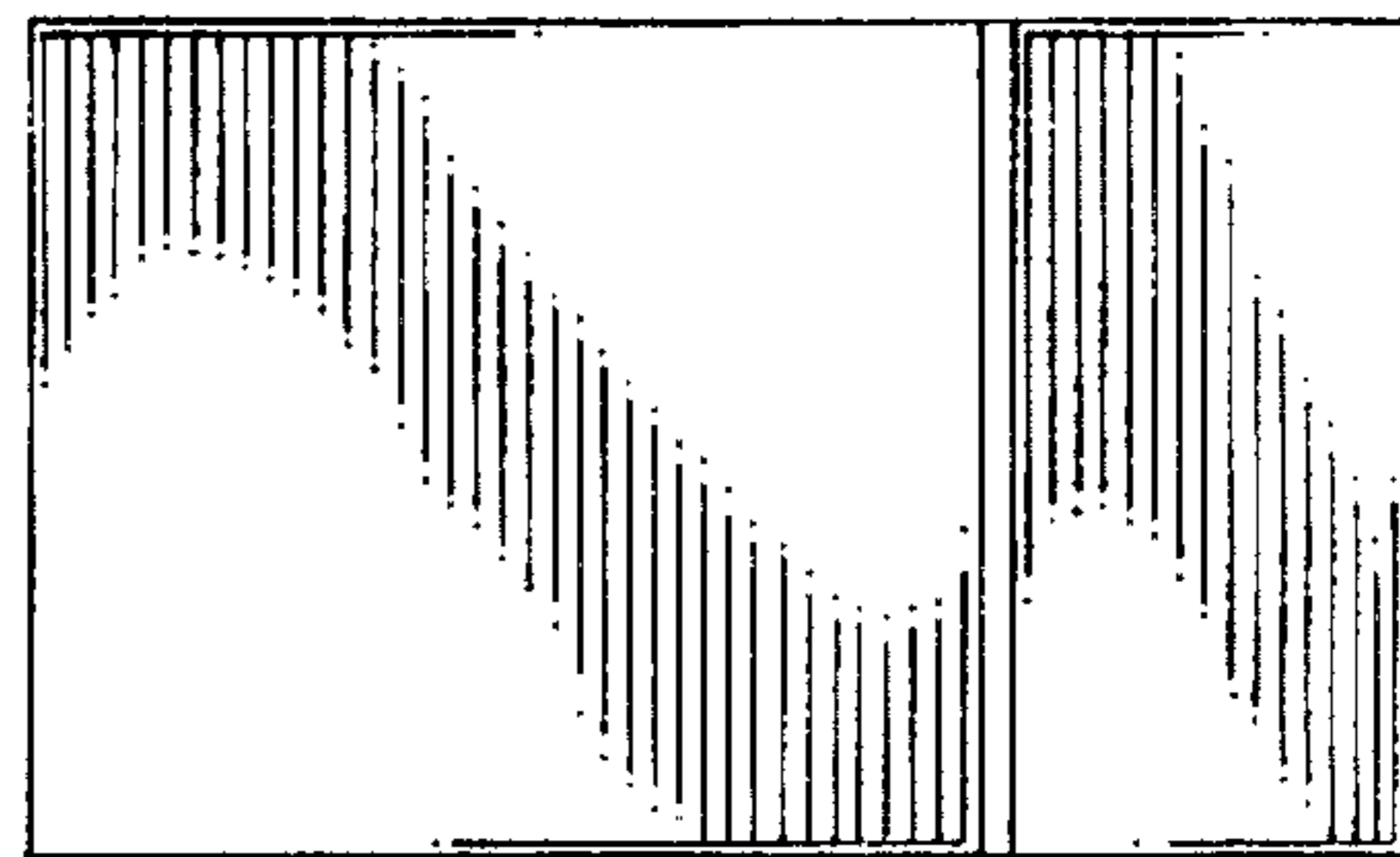


FIG. 5