

US00D386405S

# United States Patent [19]

[11] Patent Number: **Des. 386,405**

Bernstein et al.

[45] Date of Patent: **\*\*Nov. 18, 1997**

[54] **MOTOR VEHICLE TUNE-UP KIT CONTAINER**

5,044,495 9/1991 Wyslowsky ..... 206/461 X  
5,209,354 5/1993 Thornhill et al. .... 206/461 X

[75] Inventors: **I. Robert Bernstein**, Deerfield; **Joseph W. Gaske**, Brookfield; **Daniel J. Flynn**, DesPlaines, all of Ill.

### OTHER PUBLICATIONS

Modern Packaging, 1941, p. 300.

[73] Assignee: **Triple-A Specialty Co.**, Chicago, Ill.

*Primary Examiner*—Prabhakar G. Deshmukh  
*Attorney, Agent, or Firm*—Gerstman, Ellis & McMillin, Ltd.

[\*\*] Term: **14 Years**

### [57] CLAIM

[21] Appl. No.: **63,581**

The ornamental design for a motor vehicle tune-up kit container, as shown and described.

[22] Filed: **Dec. 4, 1996**

### DESCRIPTION

[51] **LOC (6) Cl.** ..... **09-07**

[52] **U.S. Cl.** ..... **D9/415**

[58] **Field of Search** ..... D9/415, 418, 414,  
D9/341, 347; 206/461-471, 495, 769, 770,  
771, 773, 223, 319, 806

FIG. 1 is a perspective view of the motor vehicle tune-up kit container showing our new design;  
FIG. 2 is a right side view thereof, with the left side view being the mirror image thereof;  
FIG. 3 is a top view thereof;  
FIG. 4 is a front view thereof;  
FIG. 5 is a rear view thereof;  
FIG. 6 is a bottom view thereof;  
FIG. 7 is a top view of a second embodiment of the invention; and,  
FIG. 8 is a front view of the second embodiment of the invention.

### [56] References Cited

#### U.S. PATENT DOCUMENTS

D. 292,776 11/1987 Cugley ..... D9/415  
D. 310,462 9/1990 Schoen ..... D9/415 X  
D. 327,844 7/1992 Wimbish et al. .... D9/415  
D. 350,693 9/1994 Pratt ..... D9/415  
4,781,289 11/1988 Perkins ..... 206/461 X

**1 Claim, 4 Drawing Sheets**

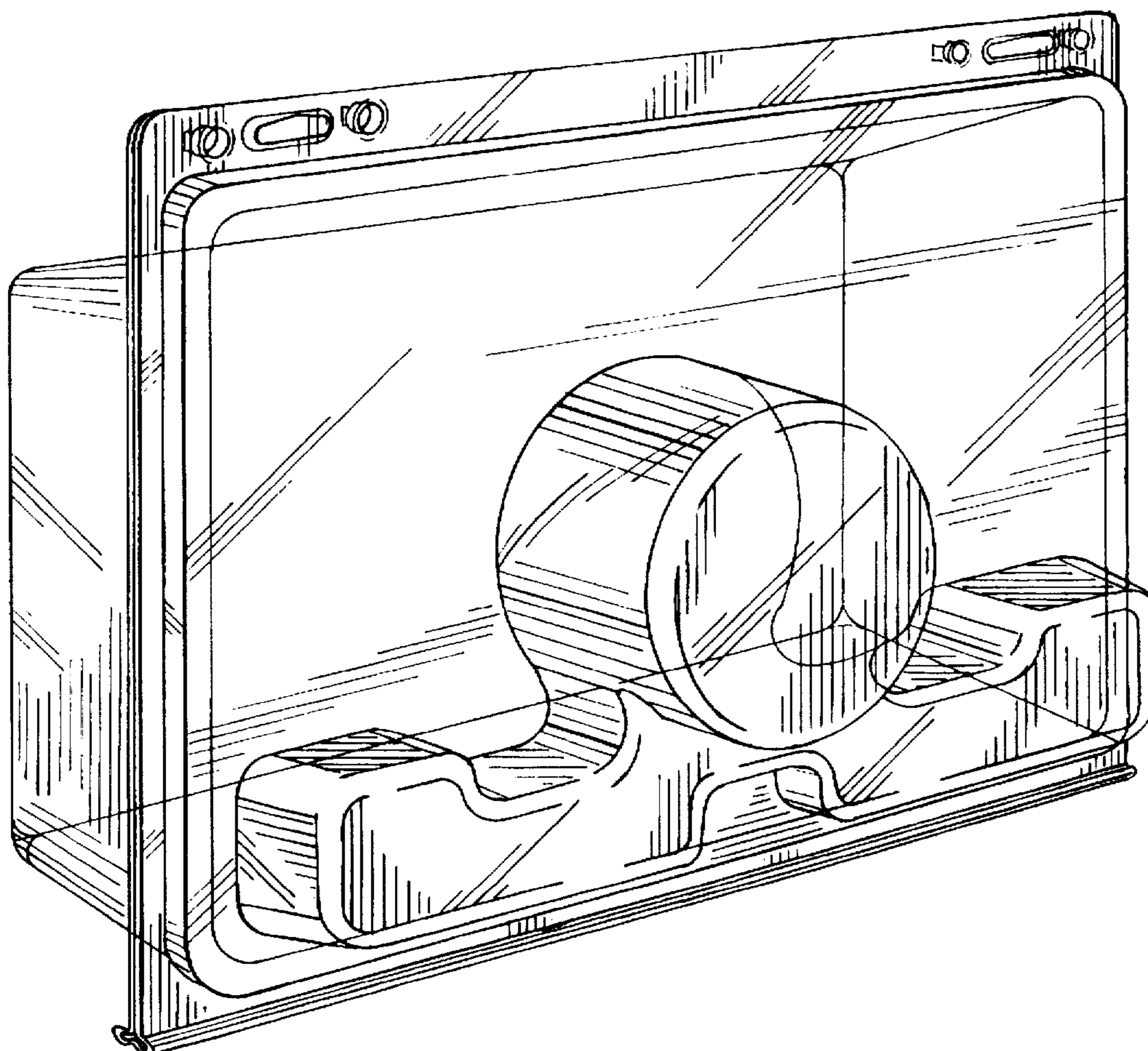


FIG. 1

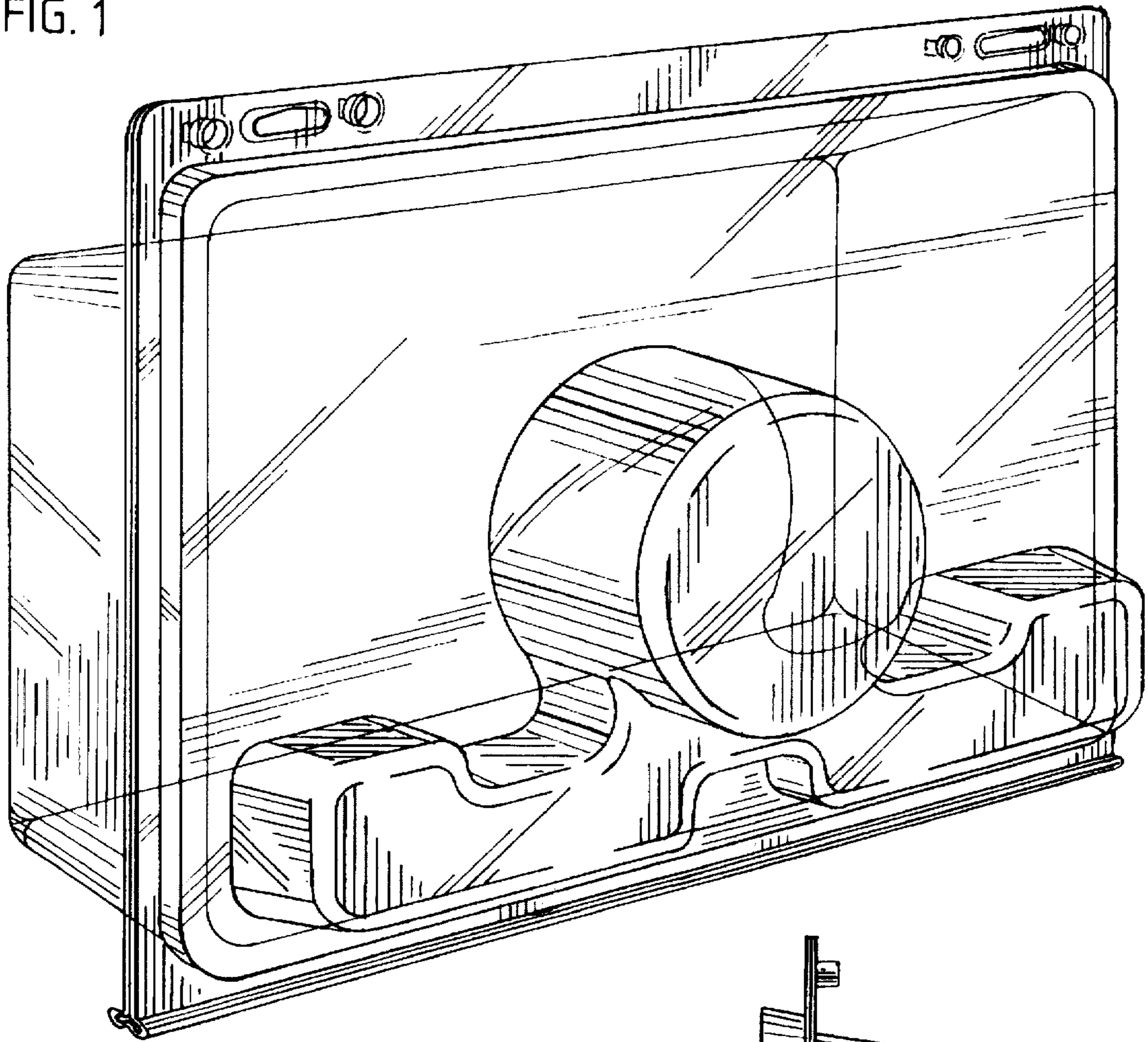


FIG. 2

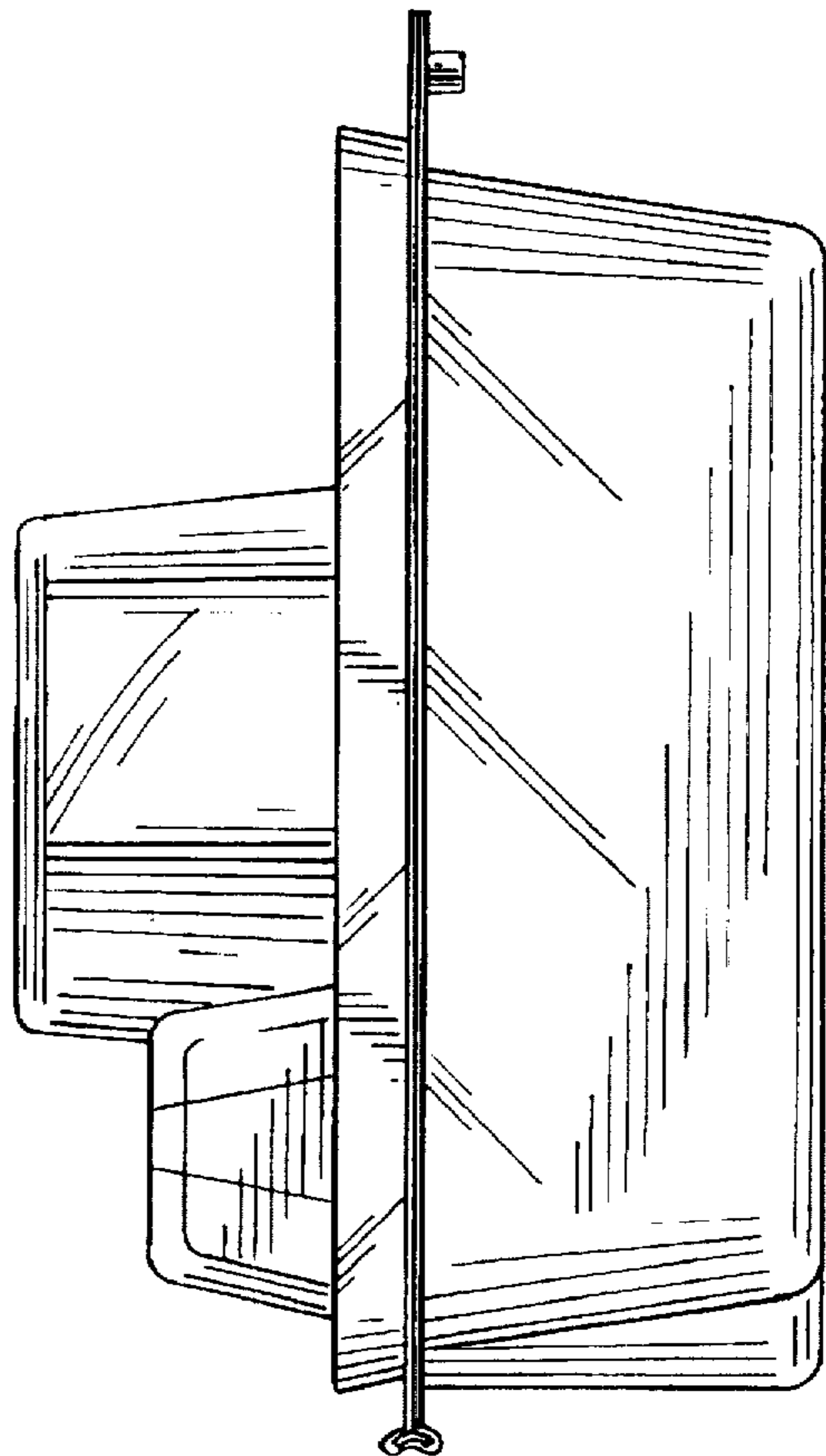


FIG. 3

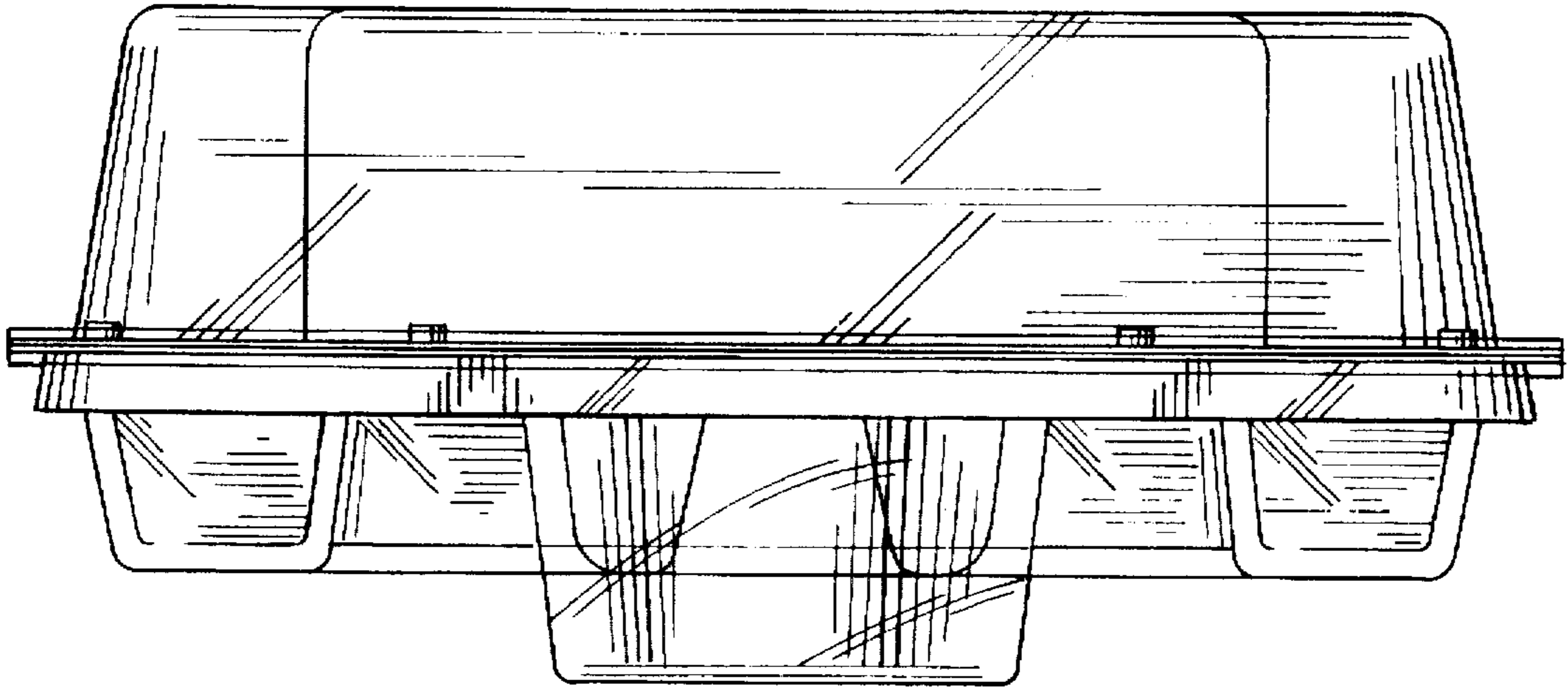


FIG. 4

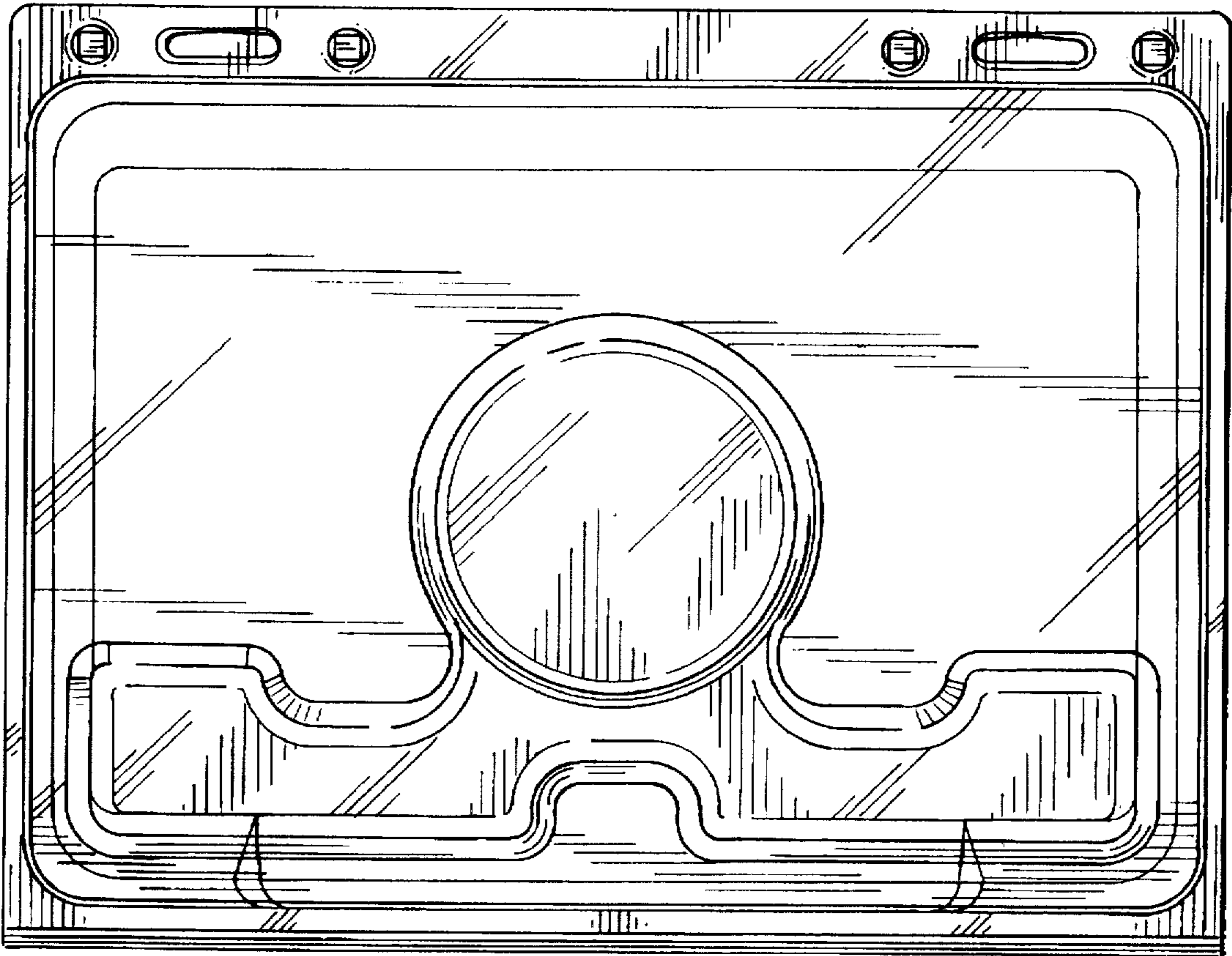


FIG. 5

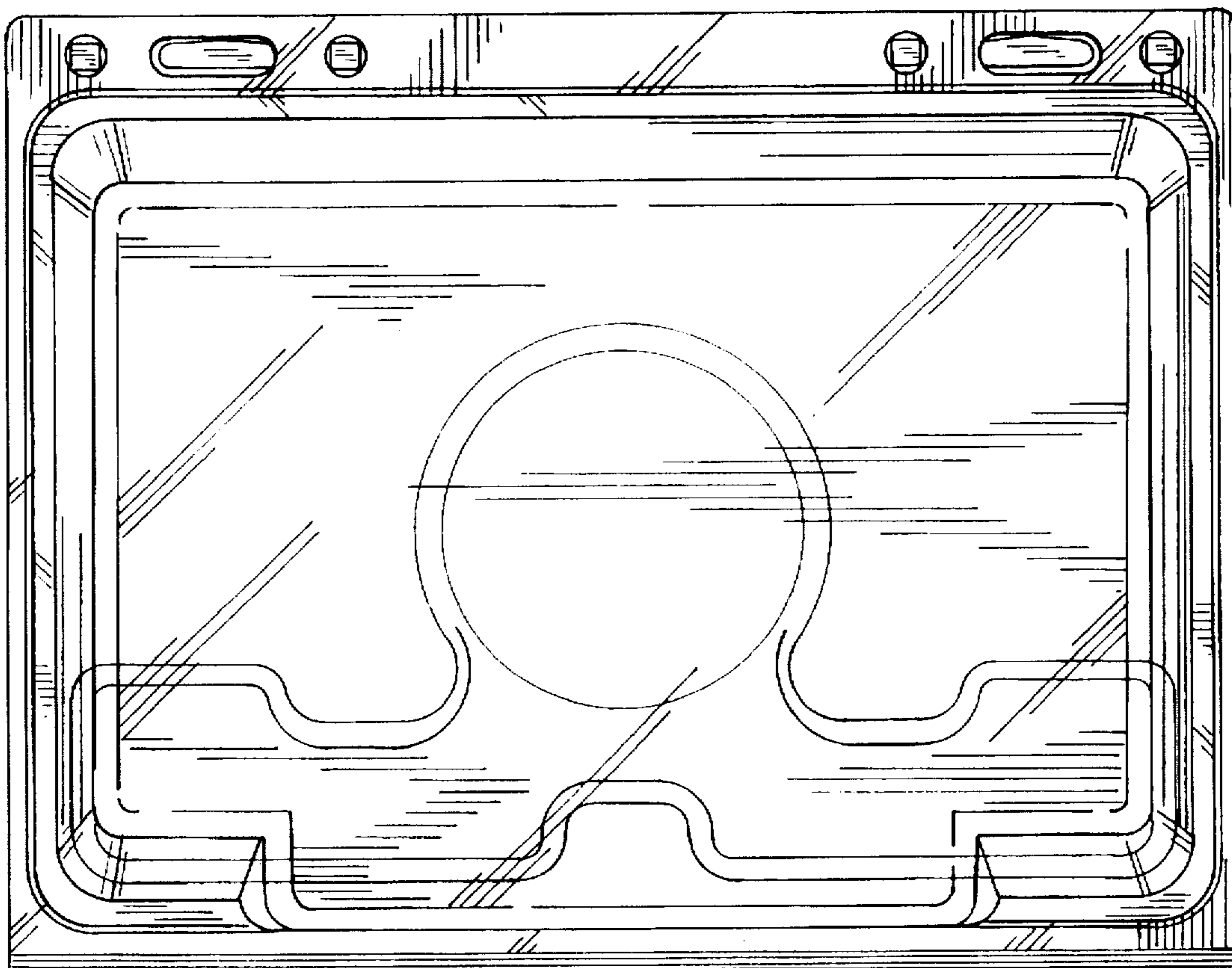


FIG. 6

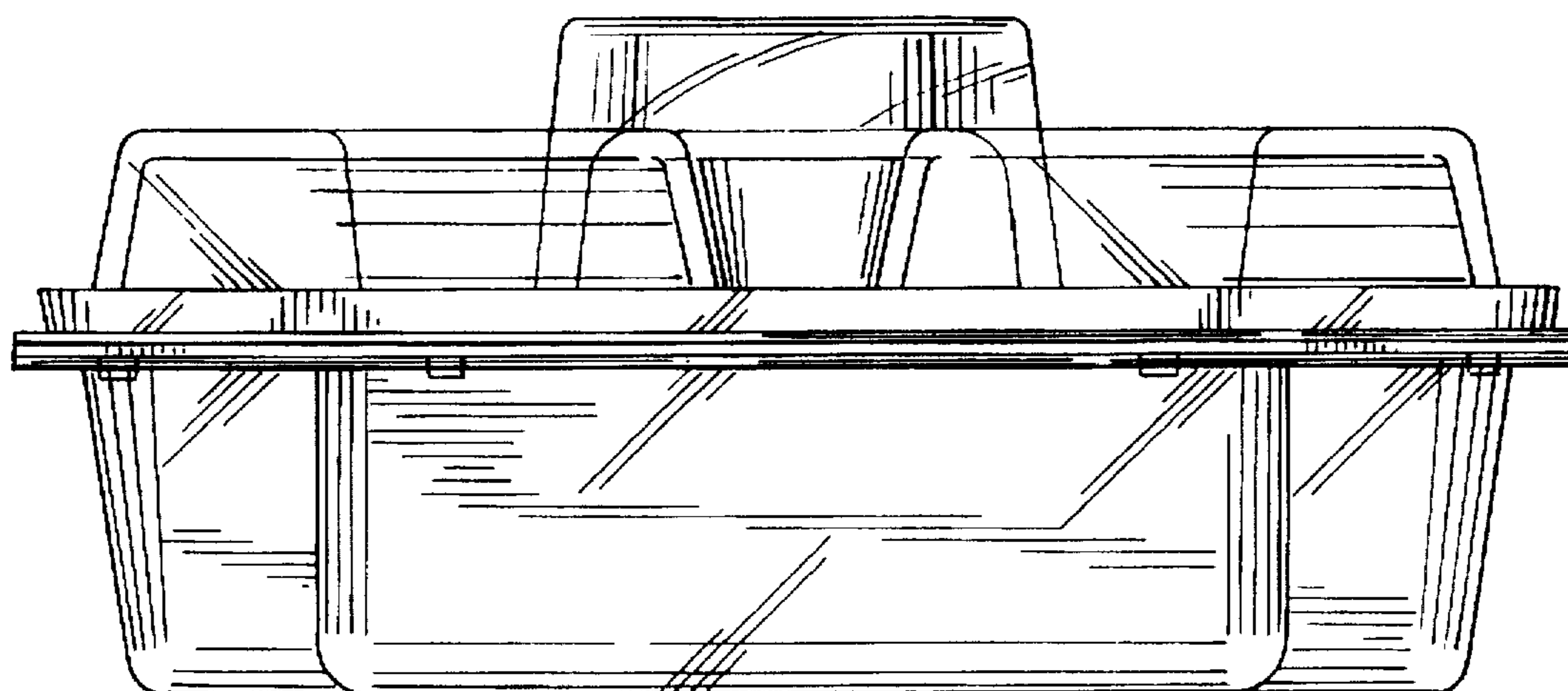


FIG. 7

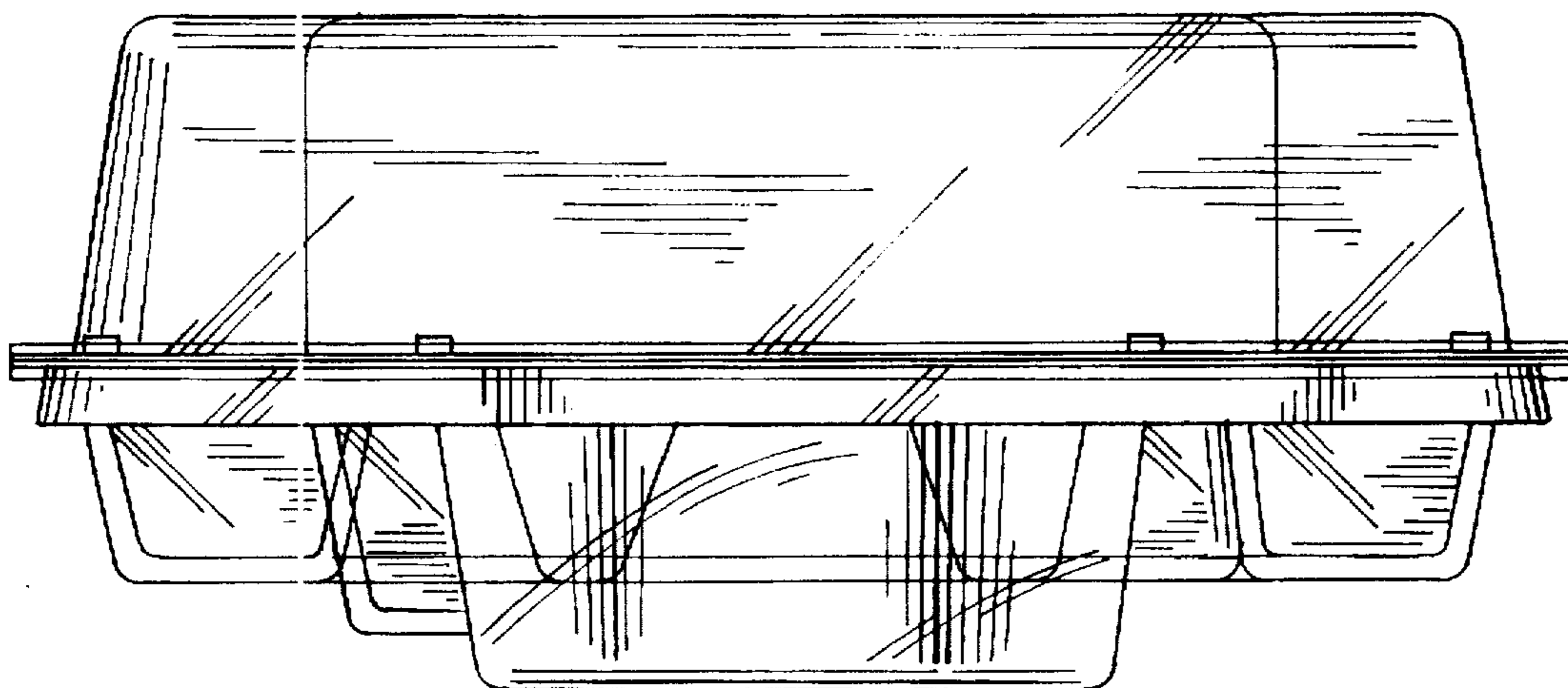


FIG. 8

