



US00D386403S

United States Patent [19]
McGregor

[11] **Patent Number: Des. 386,403**
[45] **Date of Patent: **Nov. 18, 1997**

[54] **COMBINED CONTAINER AND APPLICATOR
DEVICE FOR OILS, LOTIONS AND LIKE
COSMETIC FLUIDS**

[76] **Inventor: Novia McGregor, 98-15 Horace
Harding Expressway #6H, Rego Park,
N.Y. 11368**

[**] **Term: 14 Years**

[21] **Appl. No.: 61,036**

[22] **Filed: Oct. 15, 1996**

[51] **LOC (6) Cl. 09-01**

[52] **U.S. Cl. D9/338; D9/337; D9/521;
D9/556; D28/76**

[58] **Field of Search D9/300, 337, 338,
D9/429, 556, 521; D19/46; 401/196, 209,
213, 55, 75, 171-175, 208; 222/390, 185.1,
173, 105; D28/76, 88, 91.1, 73**

[56] **References Cited**

U.S. PATENT DOCUMENTS

D. 92,786 7/1934 Vivaudou D9/556 X

D. 149,400 4/1948 Biro D9/521
D. 243,585 3/1977 Angleman et al. D9/338
D. 260,858 9/1981 Courrèges D9/556 X
D. 261,615 11/1981 Kaufman D9/337
D. 286,375 10/1986 Taub D9/337
D. 336,037 6/1993 Lippens D9/337
D. 361,507 8/1995 Langemann D9/337

Primary Examiner—Martie Thompson

[57] **CLAIM**

The ornamental design for a combined container and applicator device for oils, lotions and like cosmetic fluids, as shown and described.

DESCRIPTION

FIG. 1 is a front elevational view of the combined container and applicator device for oils, lotions and like cosmetic fluids showing my new design;

FIG. 2 is an exploded rear elevational view thereof;

FIG. 3 is a right side elevational view thereof;

FIG. 4 is a left side elevational view thereof;

FIG. 5 is a top plan view thereof; and,

FIG. 6 is a bottom plan view thereof.

1 Claim, 3 Drawing Sheets

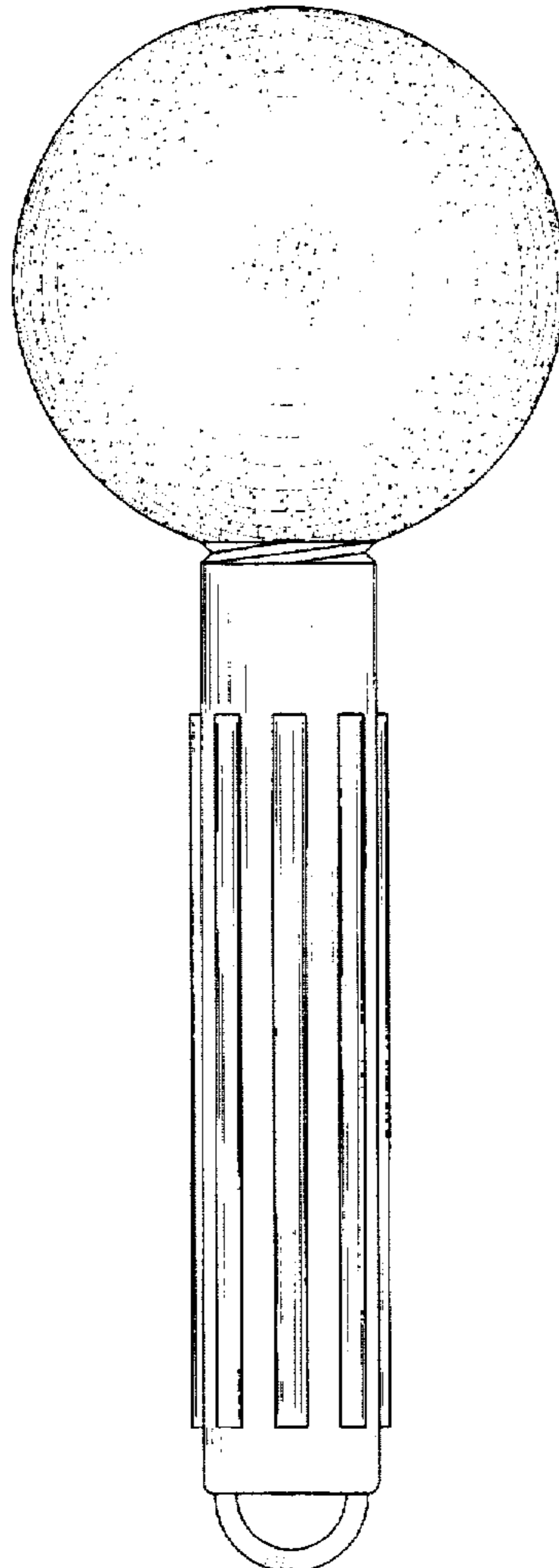


FIG. 1

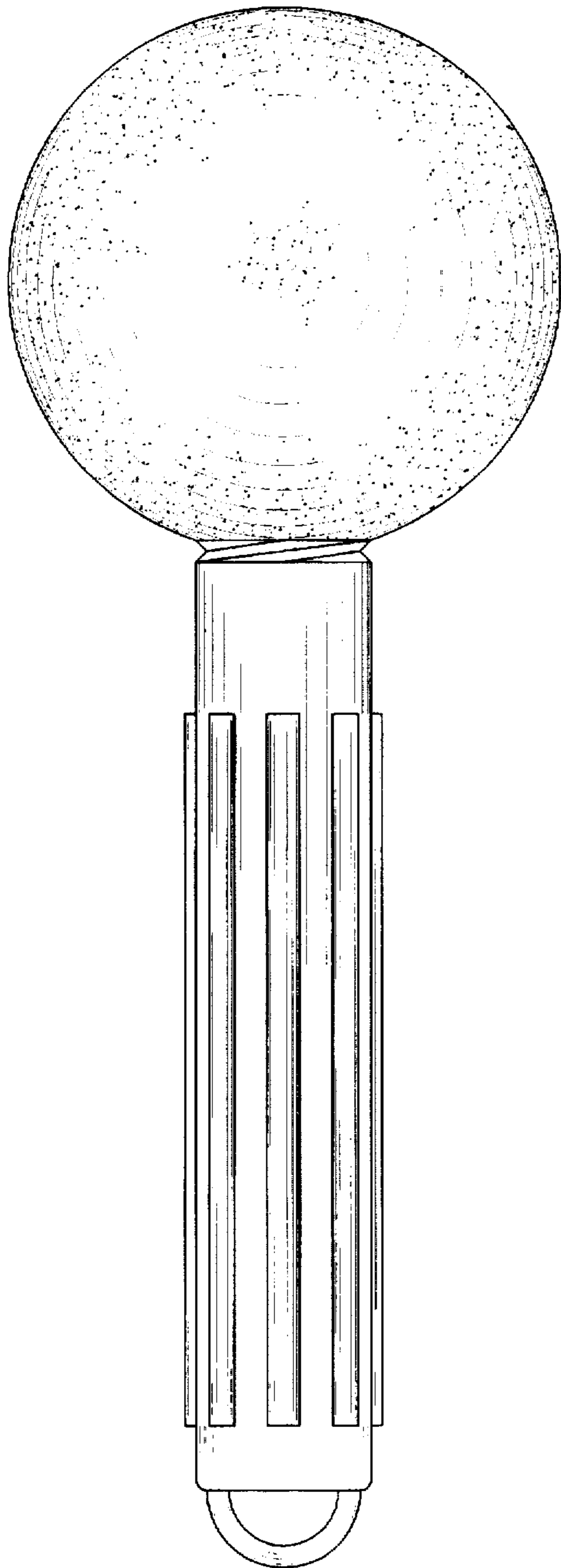


FIG. 2

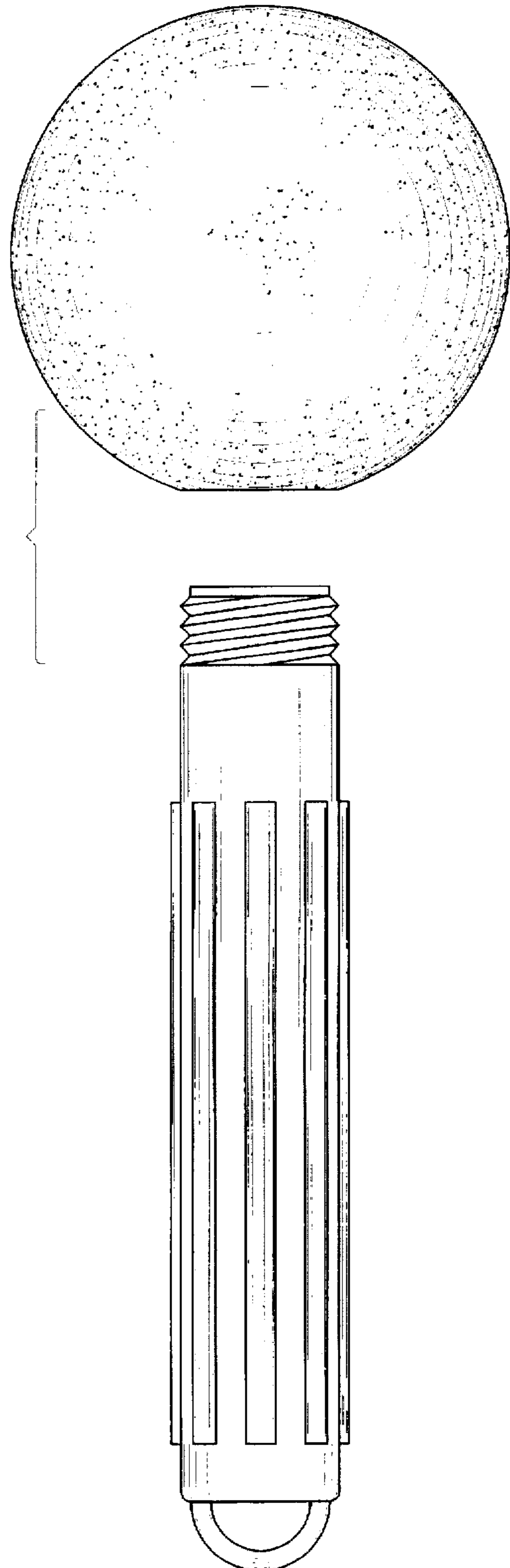


FIG. 3

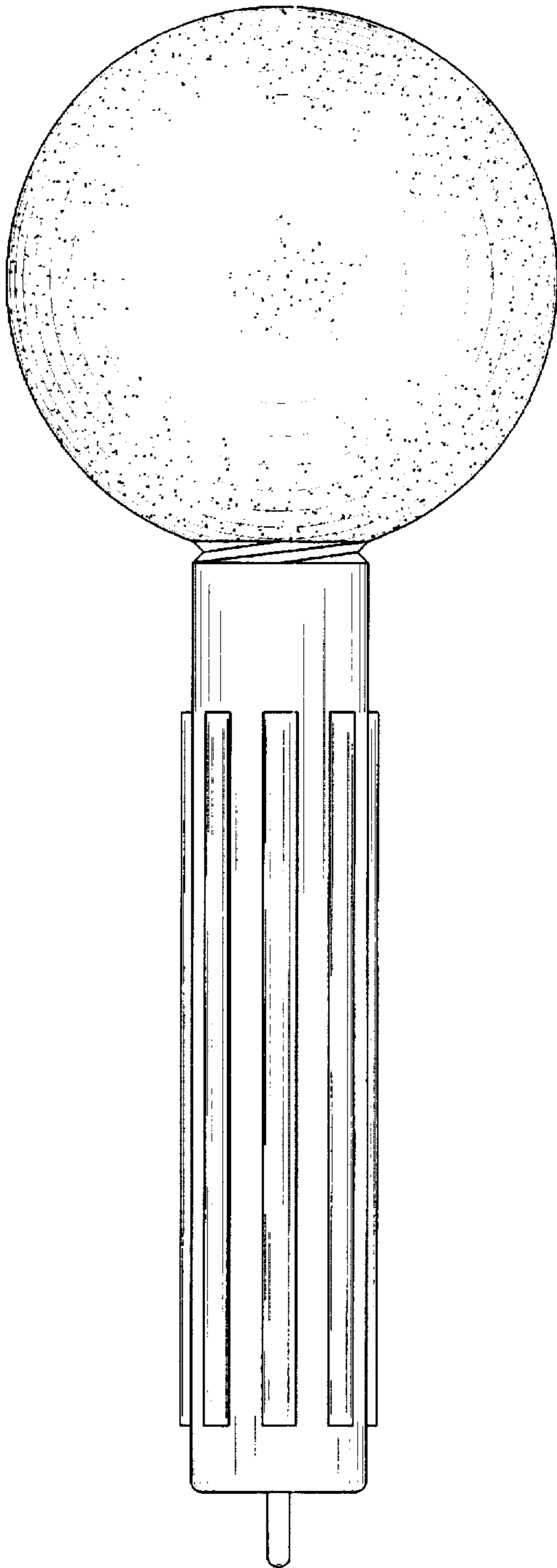


FIG. 4

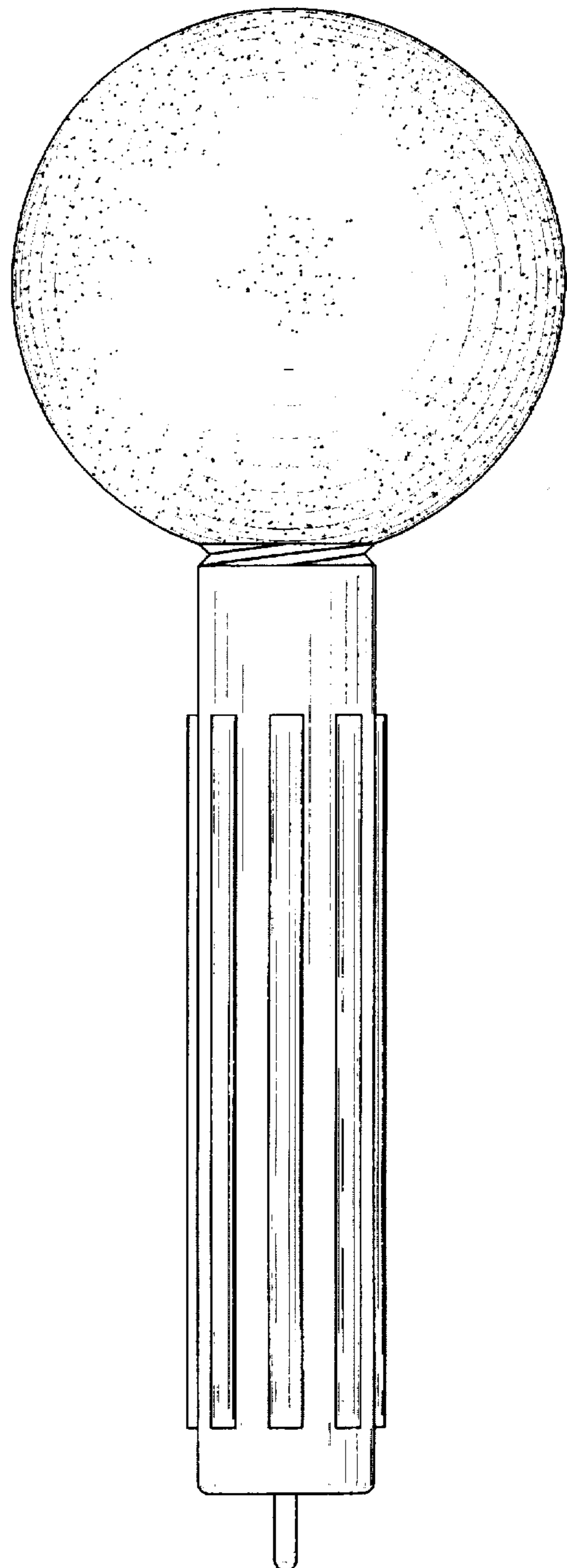


FIG. 5

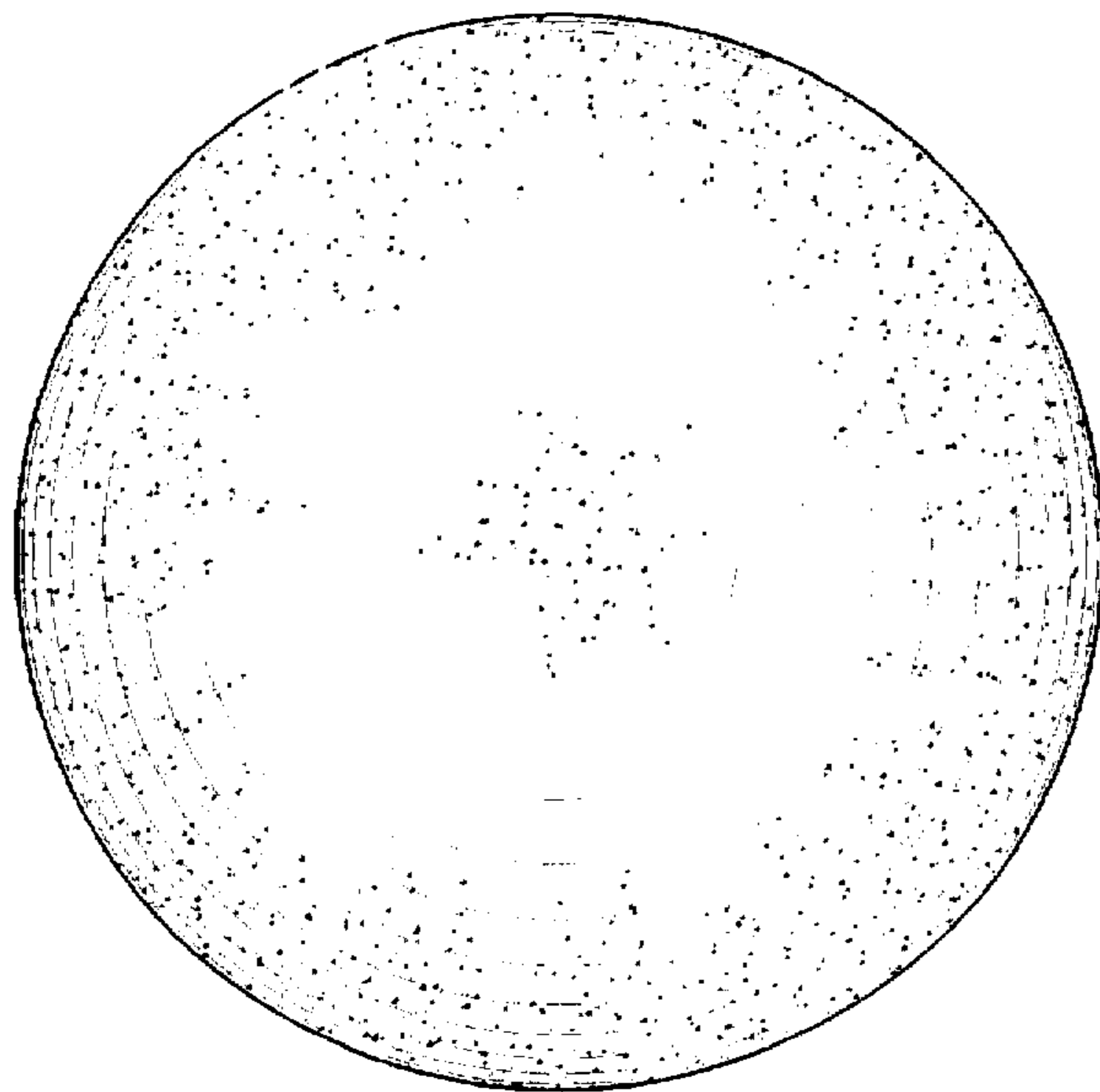


FIG. 6

