



US00D386397S

United States Patent [19]

Adriaenssens

[11] Patent Number: **Des. 386,397**

[45] Date of Patent: ****Nov. 18, 1997**

[54] **CONNECTION SLEEVE FOR BRUSH HANDLES AND WIPER HANDLES**

[75] Inventor: **Stephan G. Adriaenssens, Meulebeke, Belgium**

[73] Assignee: **N.V. Moerman, Meulebeke, Belgium**

[**] Term: **14 Years**

[21] Appl. No.: **45,437**

[22] Filed: **Oct. 19, 1995**

[51] LOC (6) Cl. **08-08**

[52] U.S. Cl. **D8/396**

[58] Field of Search D8/354, 394, 396, D8/373; D32/54; D4/199; 24/20 R, 20 LS, 284; 15/173, 177; 248/74.1, 74.3, 230.5, 278, 316.7, 210, 101; D24/216, 222, 224, 227, 229, 230, 231

[56] **References Cited**

U.S. PATENT DOCUMENTS

D. 31,895	11/1899	Cook	D8/396
D. 283,675	5/1986	Fogiel et al.	D8/396
1,412,187	4/1922	Lopdell	24/278
2,764,438	9/1956	Haviland	248/74.1 X
3,014,259	12/1961	Joseph	24/284

3,305,199	2/1967	Bayes et al.	248/74.1
3,404,858	10/1968	Levy	248/74.1 X
3,505,761	4/1970	Prieur	248/74.3 X
4,059,872	11/1977	Delesandri	24/284
4,373,235	2/1983	Korgaonkar	24/284 X
5,018,768	5/1991	Palatchy	24/284 X

Primary Examiner—Paula A. Mortimer
Attorney, Agent, or Firm—James Creighton Wray

[57] **CLAIM**

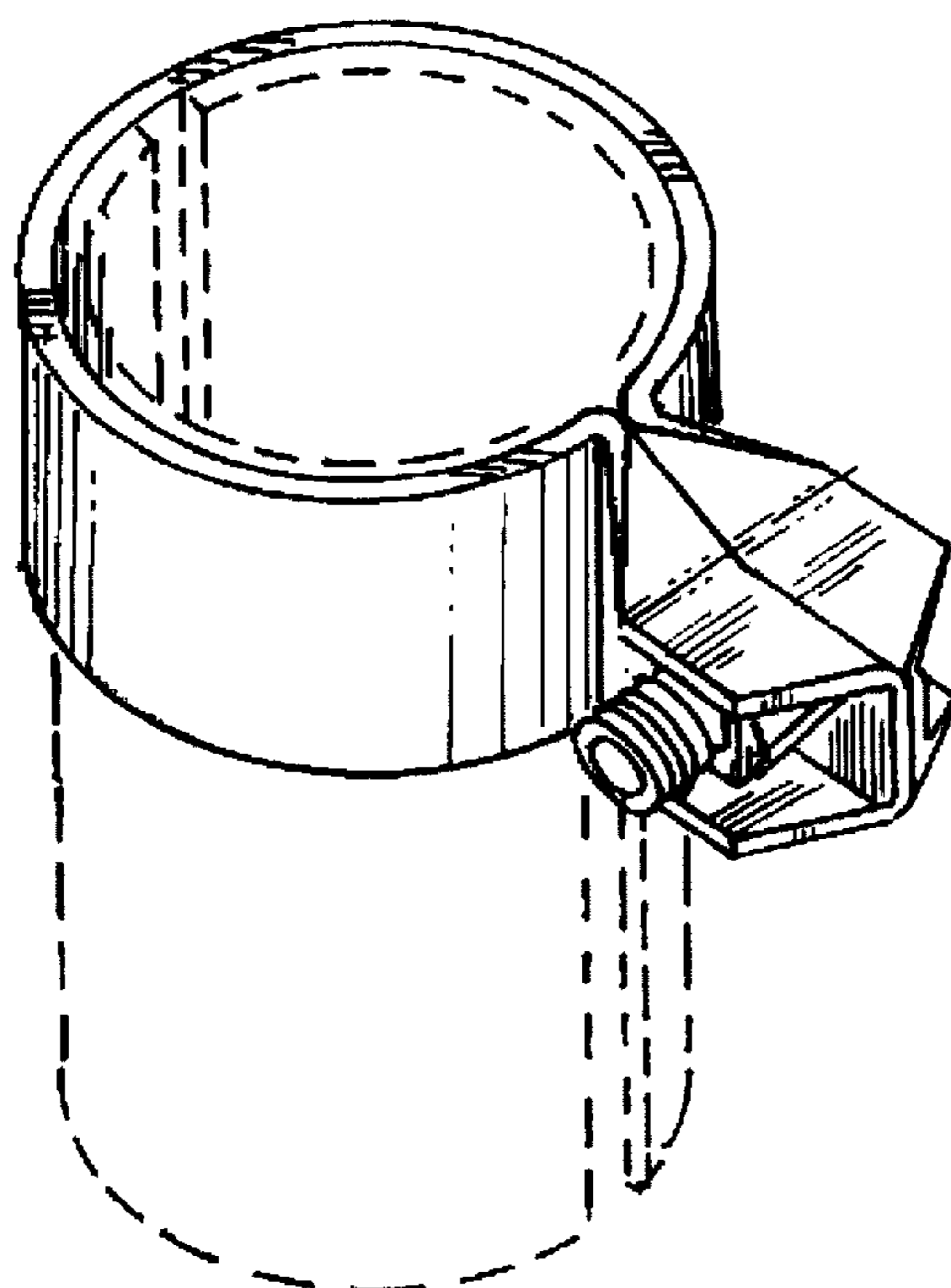
The ornamental design for a connection sleeve for brush handles and wiper handles, as shown and described.

DESCRIPTION

FIG. 1 is a front perspective view of a connection sleeve for brush handles and wiper handles showing my new design; FIG. 2 is a top plan view thereof; FIG. 3 is a bottom plan view thereof; FIG. 4 is a front elevational view thereof; FIG. 5 is a left side elevational view thereof; and, FIG. 6 is a right side elevational view thereof; and, FIG. 7 is a rear elevation of the connection sleeve shown in FIG. 1.

The broken line showing of the brush and wiper handle in FIG. 1 is for illustrative purposes only and forms no part of the claimed design.

1 Claim, 1 Drawing Sheet



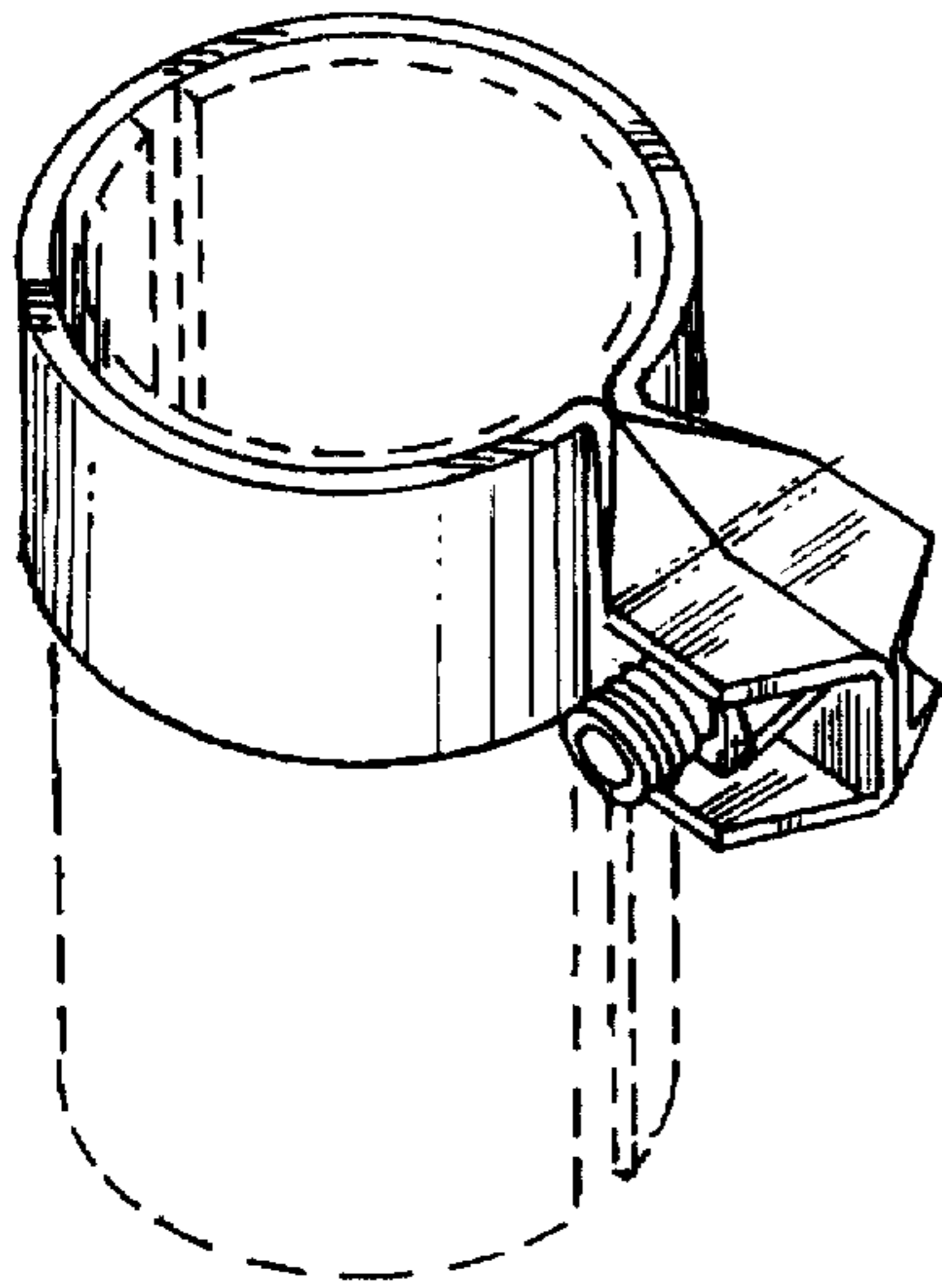


FIG. 1

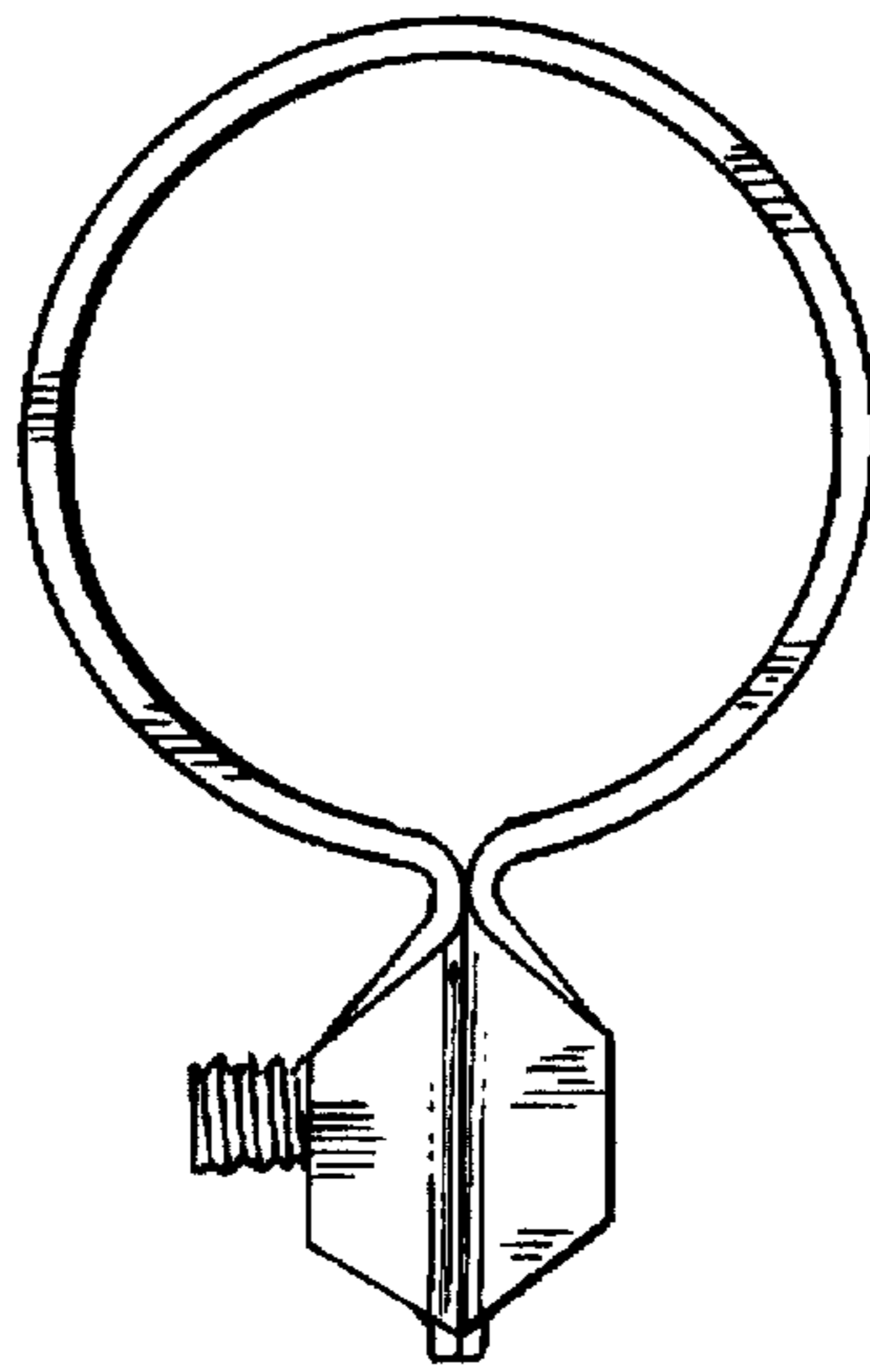


FIG. 2

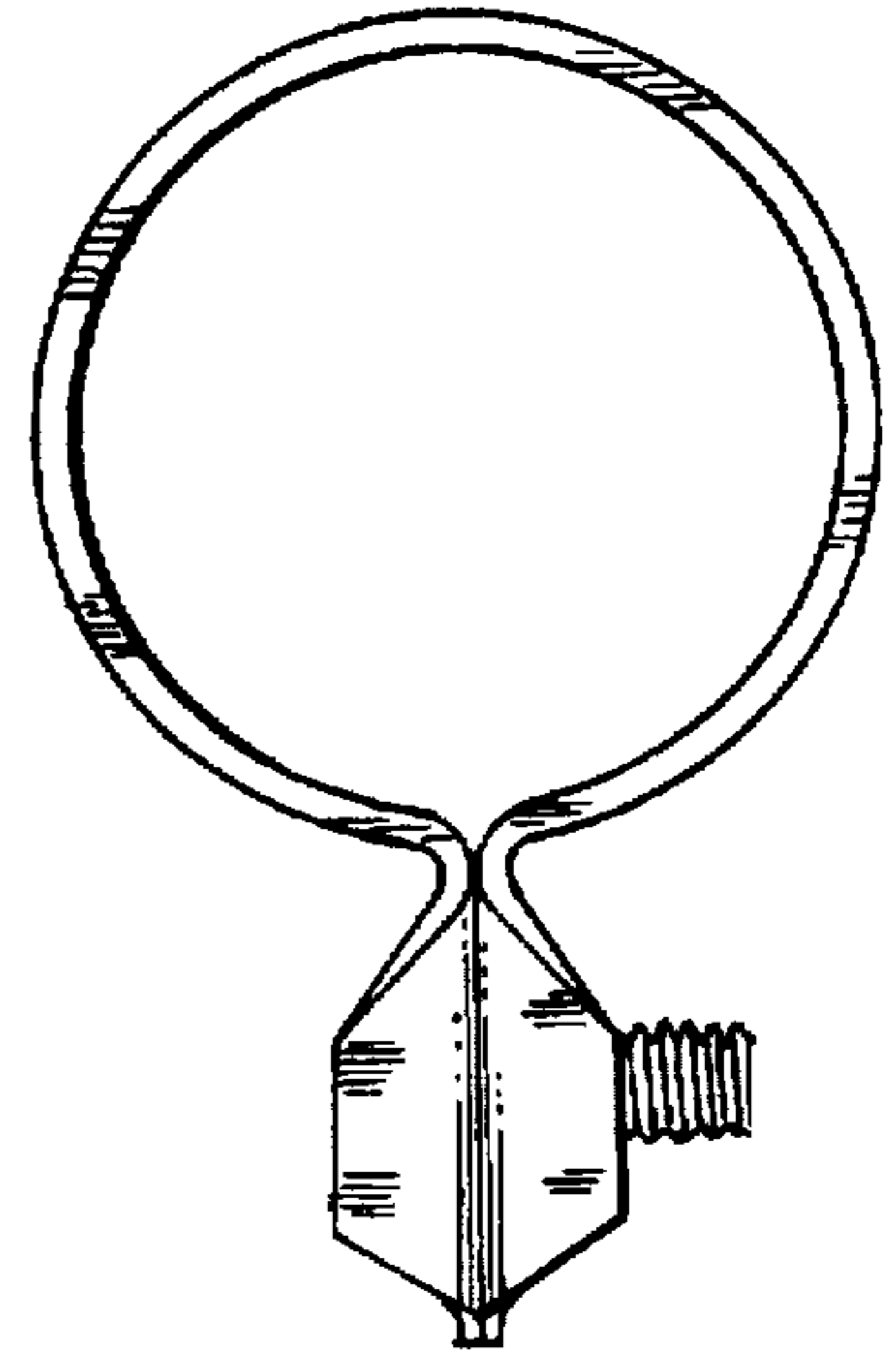


FIG. 3

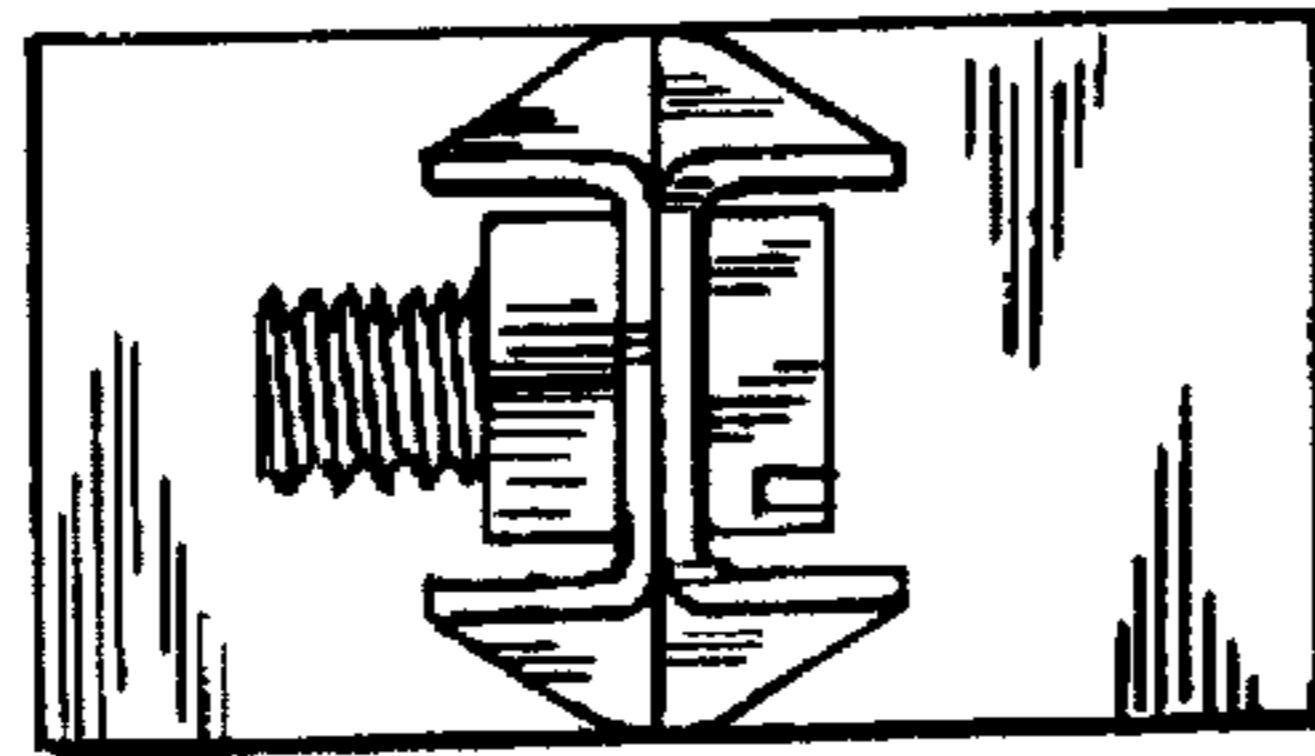


FIG. 4



FIG. 5



FIG. 6

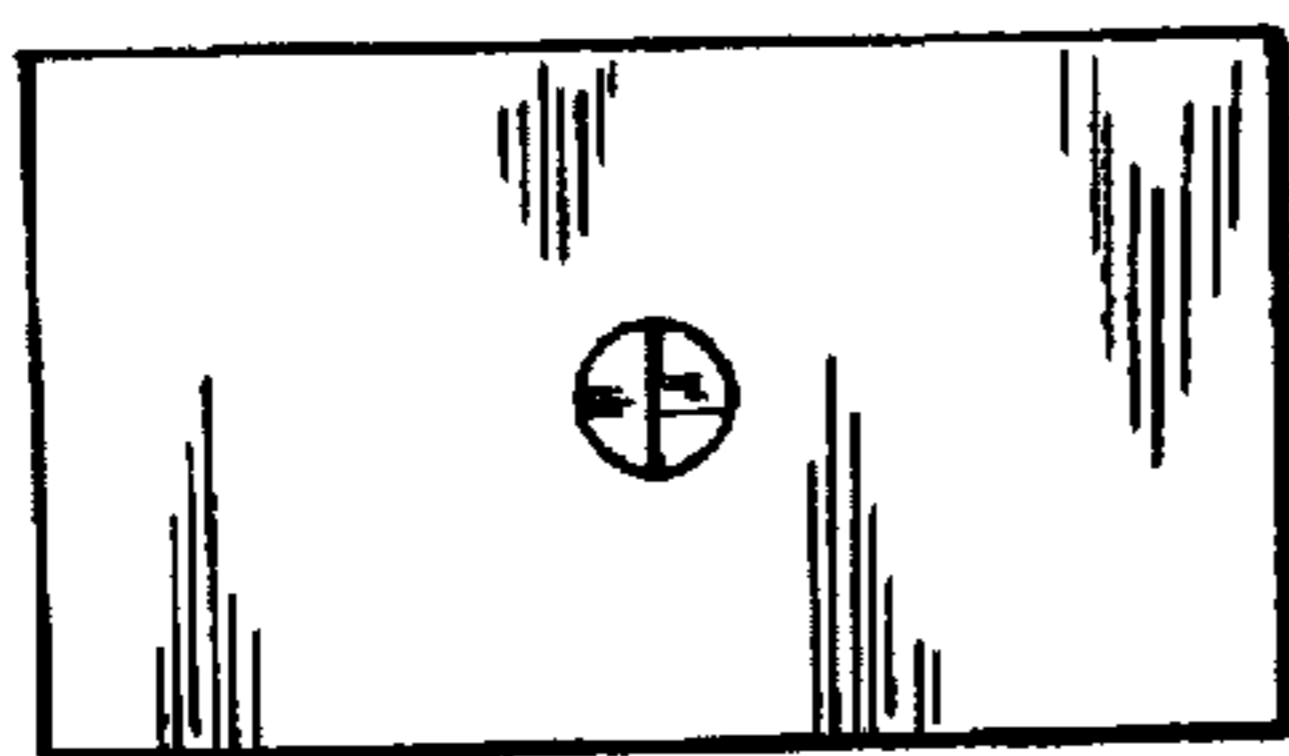


FIG. 7