

US00D386395S

United States Patent [19]

Ookubo et al.

[11] Patent Number: **Des. 386,395**

[45] Date of Patent: ****Nov. 18, 1997**

[54] **JOINT**

[75] Inventors: **Masayuki Ookubo; Yasuyuki Otani,**
both of Shizuoka, Japan

[73] Assignee: **Yazaki Industrial Chemical Co., Ltd.,**
Japan

[**] Term: **14 Years**

[21] Appl. No.: **48,687**

[22] Filed: **Jan. 11, 1996**

[51] LOC (6) Cl. **08-08**

[52] U.S. Cl. **D8/382**

[58] Field of Search **D8/382, 396; D21/108;**
248/74.1; 403/169, 170, 173, 174, 178,
205, 306, 312

[56] **References Cited**

U.S. PATENT DOCUMENTS

D. 355,588	2/1995	Kuwata	D8/382
D. 355,589	2/1995	Kuwata	D8/382
1,261,213	4/1918	Clay	403/173 X
2,118,467	5/1938	Jones	403/173

2,817,547	12/1957	Canepa	403/173
3,747,965	7/1973	Wing	403/178 X
4,358,214	11/1982	Shull	403/178 X
5,150,980	9/1992	Lin	403/174 X

FOREIGN PATENT DOCUMENTS

682345 2/1981 Japan .

Primary Examiner—Paula A. Mortimer
Attorney, Agent, or Firm—Ronald P. Kananen

[57] **CLAIM**

The ornamental design for a joint, as shown and described.

DESCRIPTION

FIG. 1 is a perspective view of the joint of our new design; FIG. 2 is a front elevational view thereof, the rear elevational view is a mirror image; FIG. 3 is a top plan view thereof; FIG. 4 is a bottom end view thereof; FIG. 5 is a left side elevational view thereof; FIG. 6 is a right side elevational view thereof; FIG. 7 is a sectional view along line 7—7 of FIG. 3; and, FIG. 8 is a sectional view along line 8—8 of FIG. 3.

1 Claim, 5 Drawing Sheets

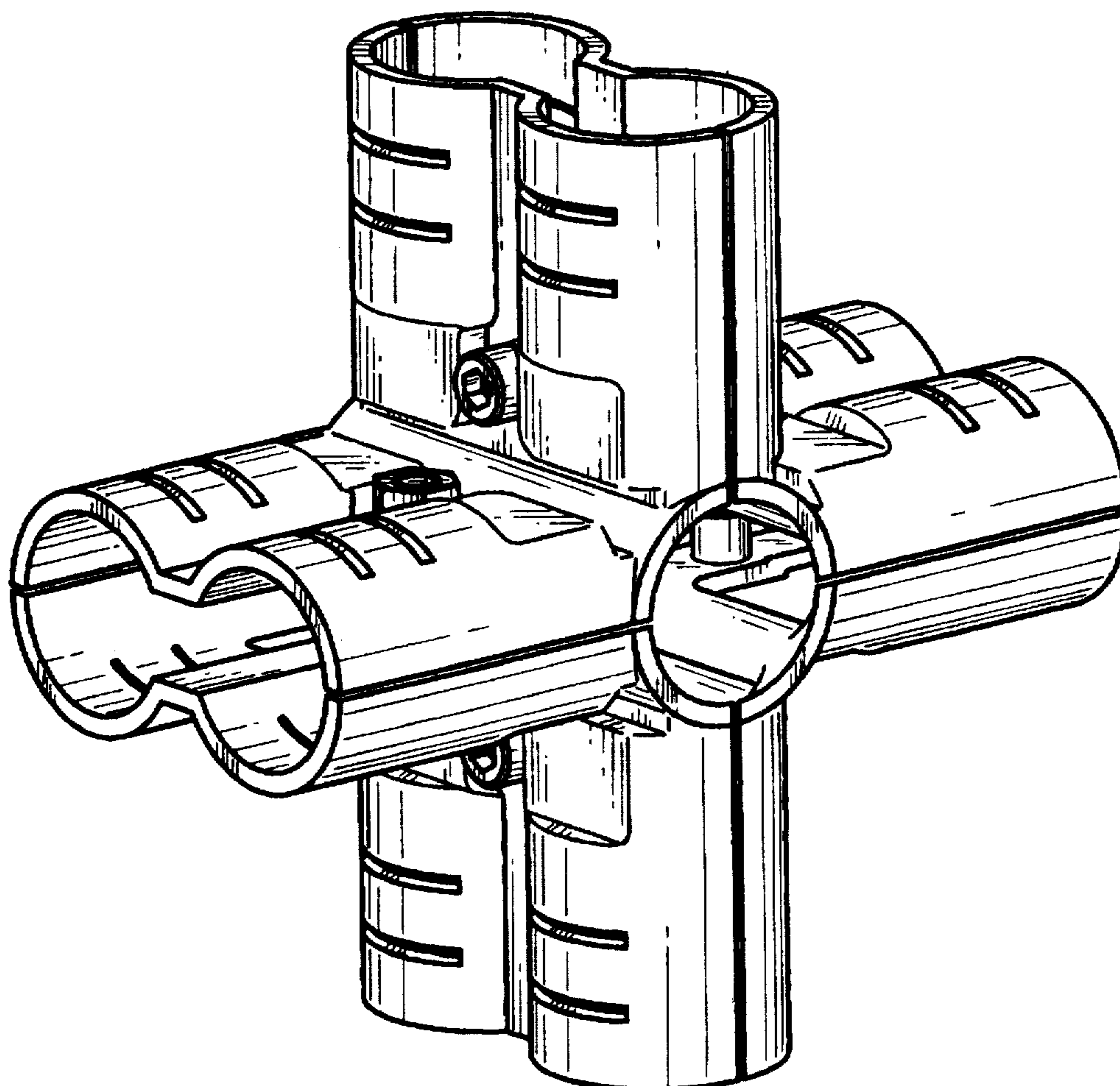


FIG. 1

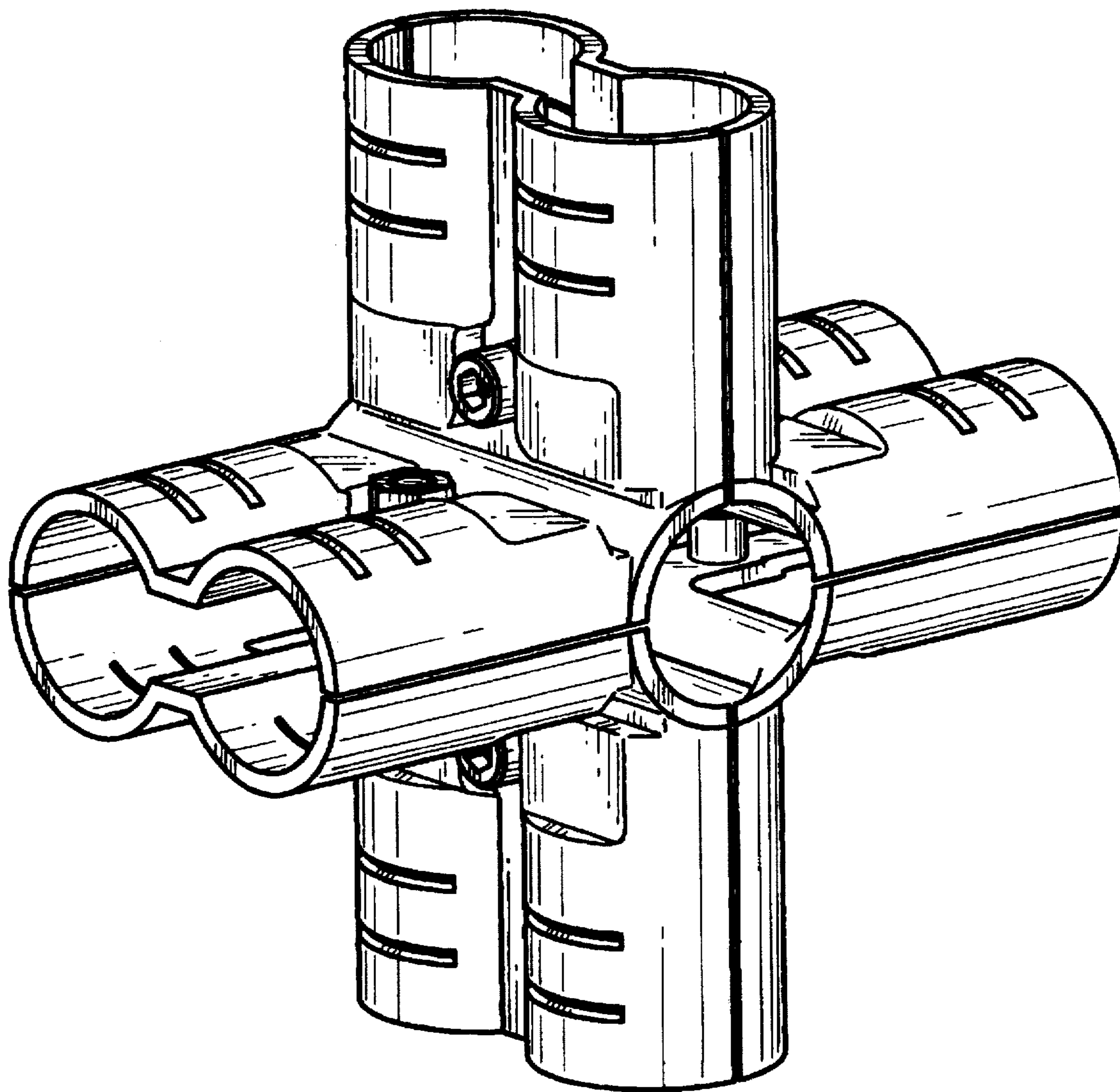


FIG. 2

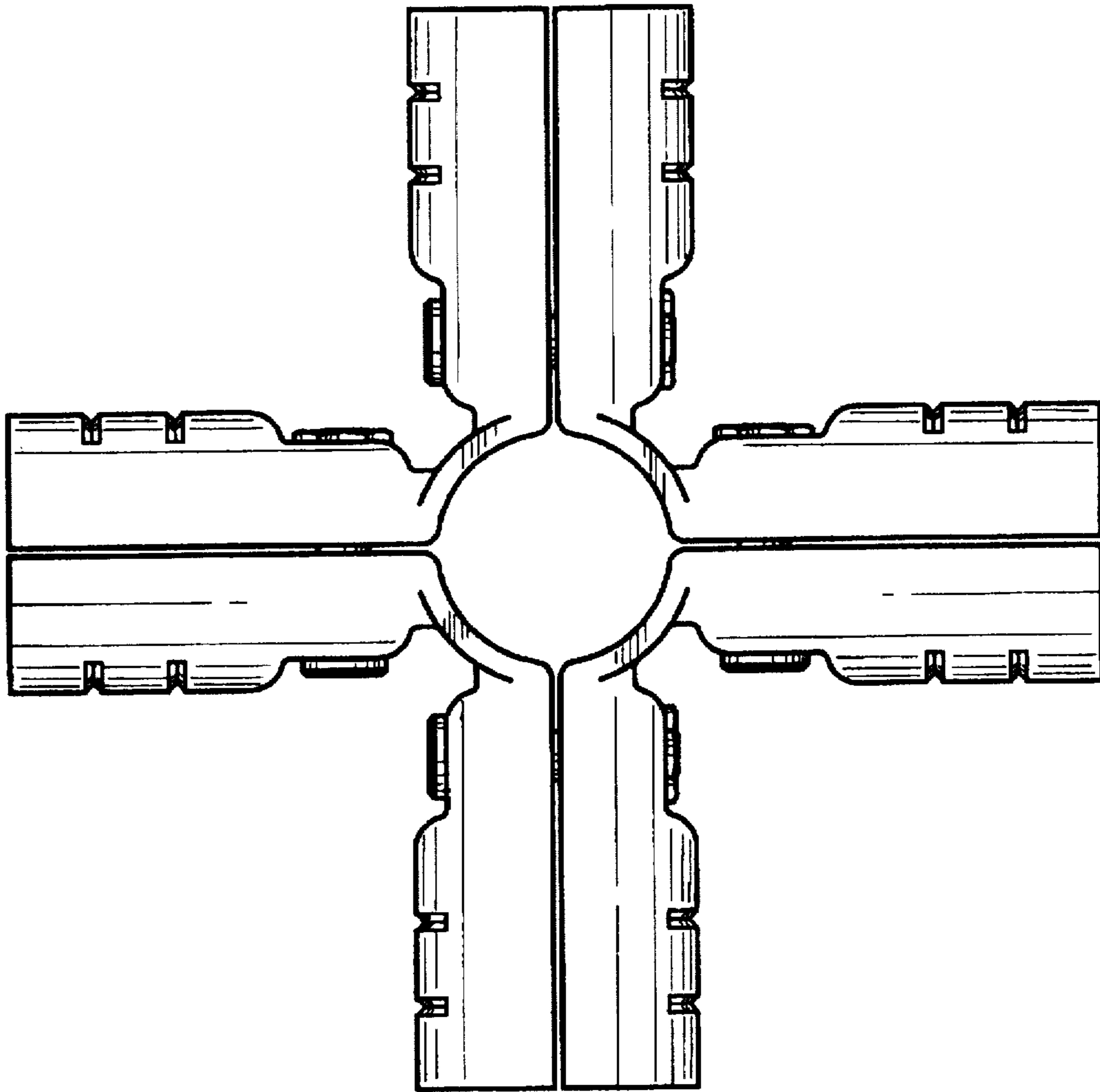


FIG. 3

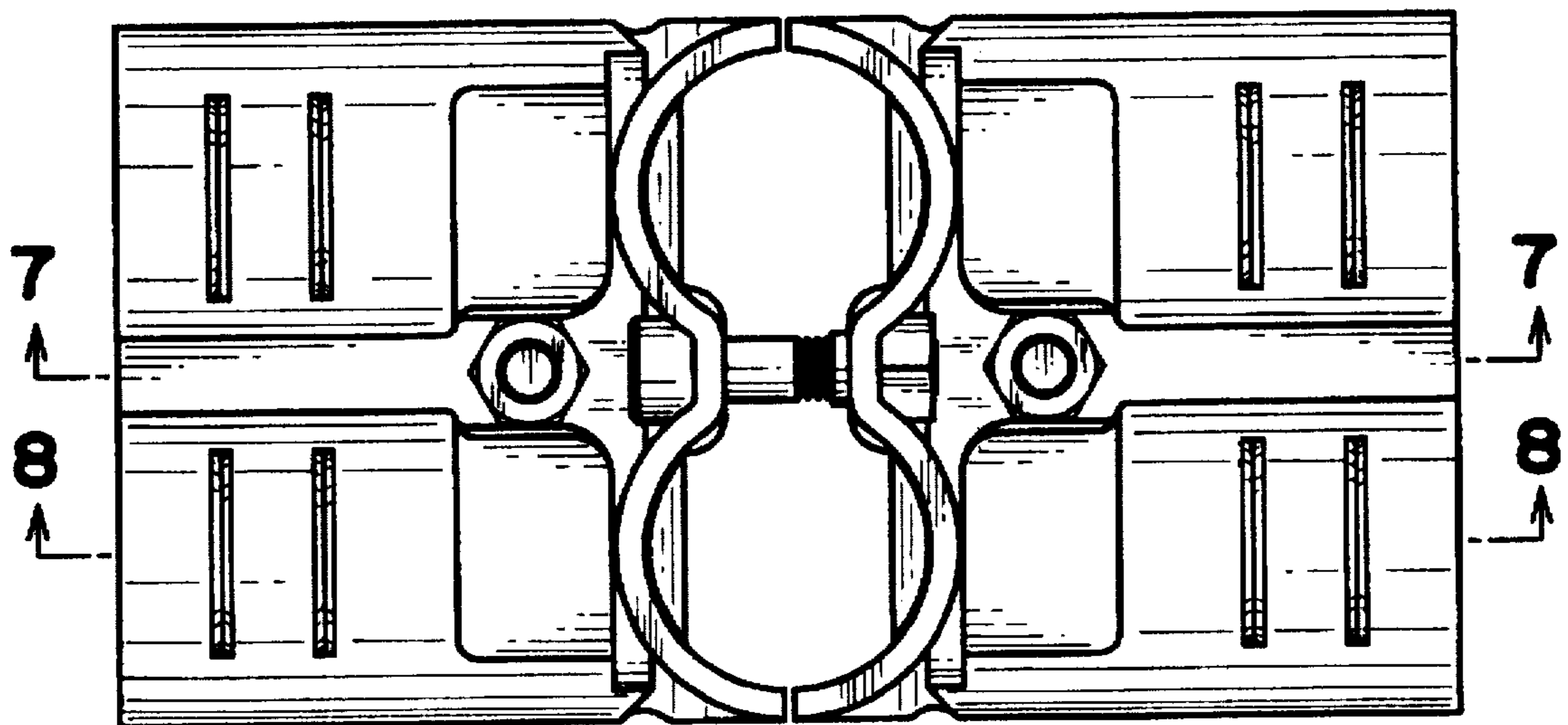


FIG. 4

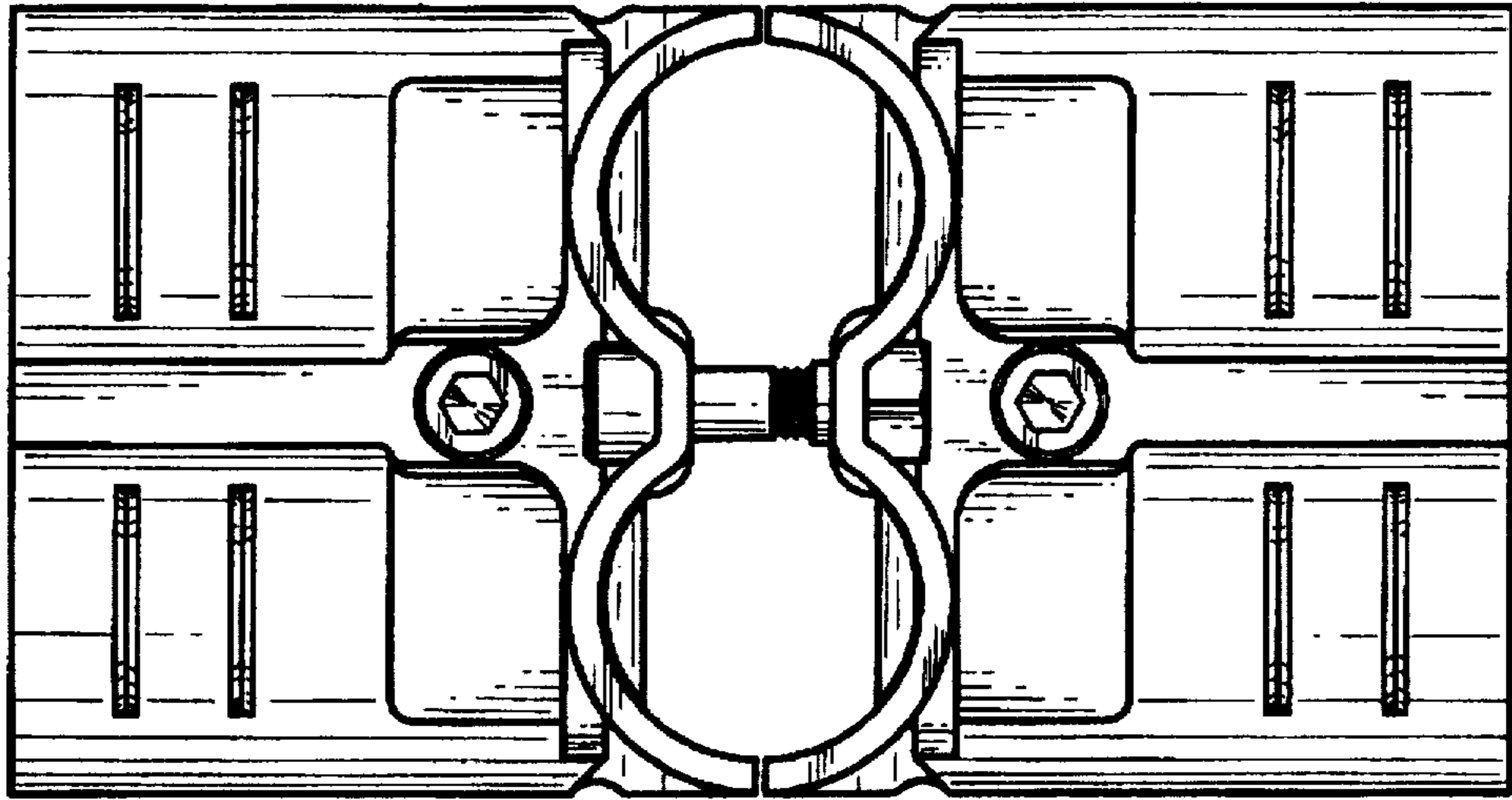


FIG. 5

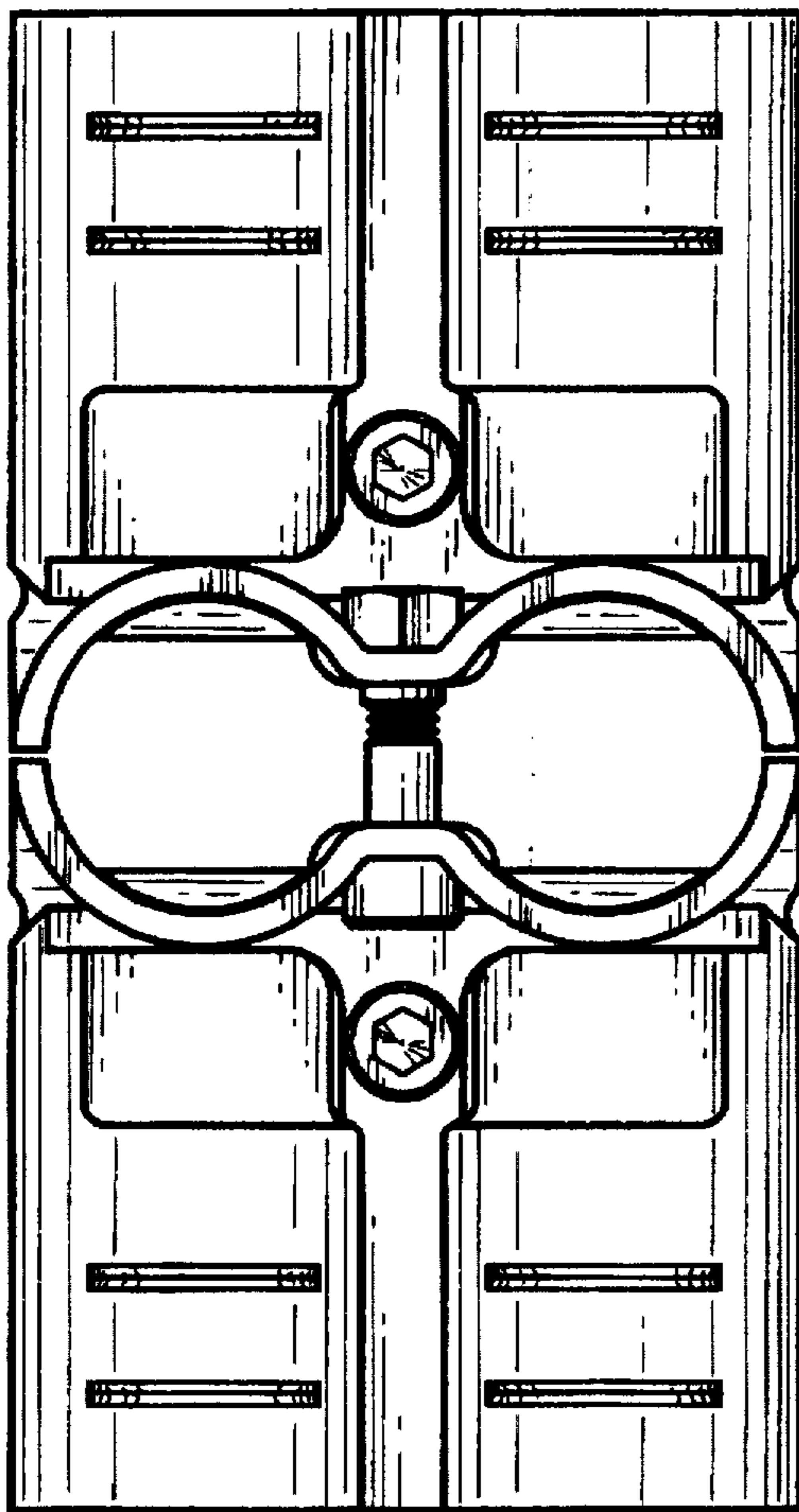


FIG. 6

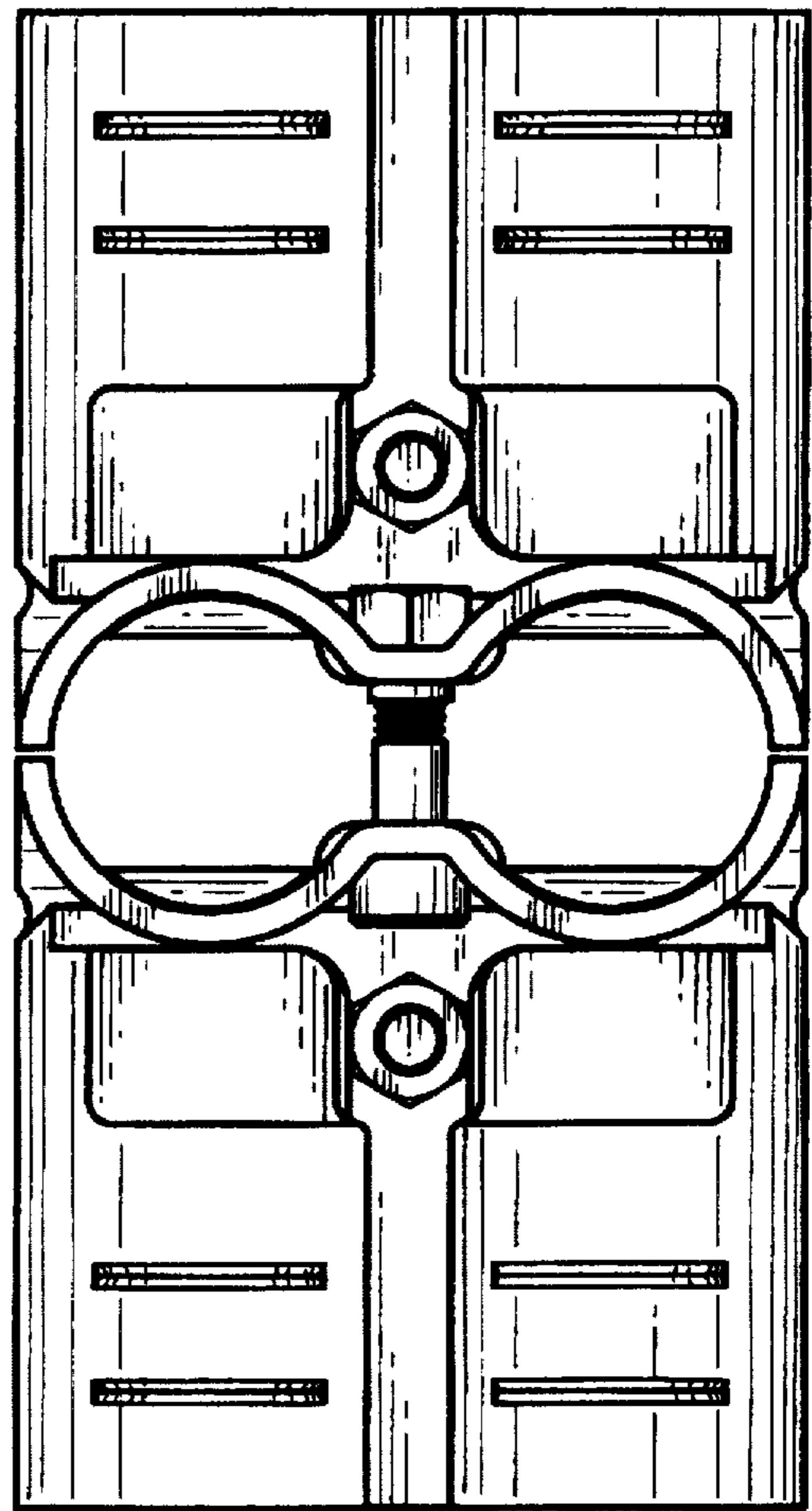


FIG. 7

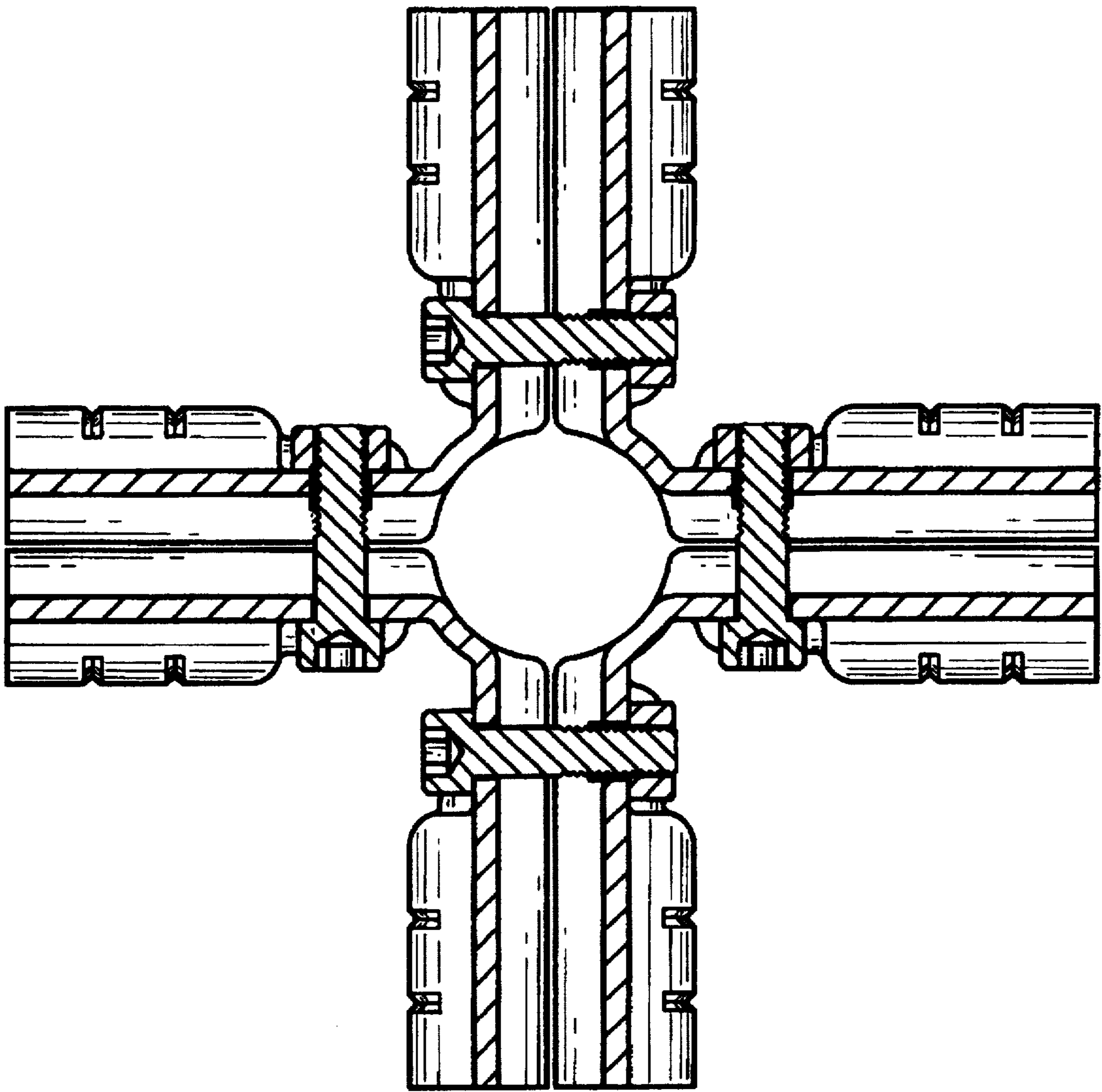


FIG. 8

