



US00D386394S

# United States Patent [19]

Ookubo et al.

[11] Patent Number: Des. 386,394

[45] Date of Patent: \*\*Nov. 18, 1997

[54] JOINT

[75] Inventors: Masayuki Ookubo; Yasuyuki Otani,  
both of Shizuoka, Japan

[73] Assignee: Yazaki Industrial Chemical Co., Ltd.,  
Japan

[\*\*] Term: 14 Years

[21] Appl. No.: 48,686

[22] Filed: Jan. 11, 1996

[51] LOC (6) Cl. .... 08-08

[52] U.S. Cl. .... D8/382

[58] Field of Search ..... D8/382, 396; D21/108;  
248/74.1; 403/169, 170, 173, 174, 177,  
178, 205, 306, 312

### [56] References Cited

#### U.S. PATENT DOCUMENTS

- D. 272,766 2/1984 Guerriero ..... D8/396 X
- D. 355,590 2/1995 Kuwata ..... D8/382
- D. 355,843 2/1995 Kuwata ..... D8/382

- D. 356,025 3/1995 Kuwata ..... D8/382
- 3,502,357 3/1970 Wagner ..... 403/174 X

#### FOREIGN PATENT DOCUMENTS

682344 2/1981 Japan .

Primary Examiner—Paula A. Mortimer  
Attorney, Agent, or Firm—Ronald P. Kananen

### [57] CLAIM

The ornamental design for a joint, as shown and described.

#### DESCRIPTION

FIG. 1 is a perspective view of the joint of our new design;  
 FIG. 2 is a front elevational view thereof;  
 FIG. 3 is a top plan view thereof, the bottom plan view is a mirror image;  
 FIG. 4 is a rear elevational view thereof;  
 FIG. 5 is a right side elevational view thereof, the left side elevational view if a mirror image;  
 FIG. 6 is a sectional view along line 6—6 of FIG. 2; and,  
 FIG. 7 is a sectional view along line 7—7 of FIG. 2.

1 Claim, 3 Drawing Sheets

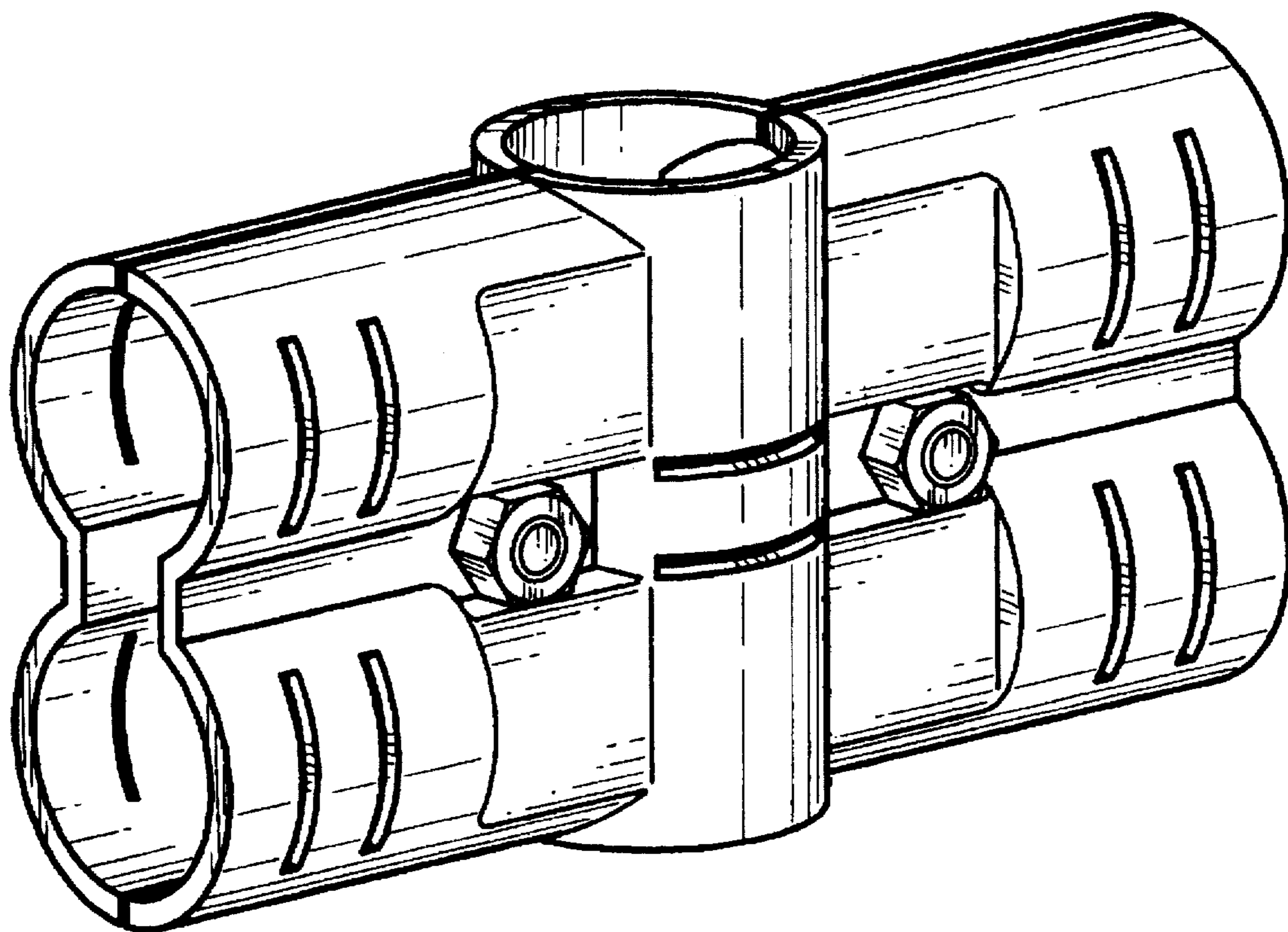


FIG. 1

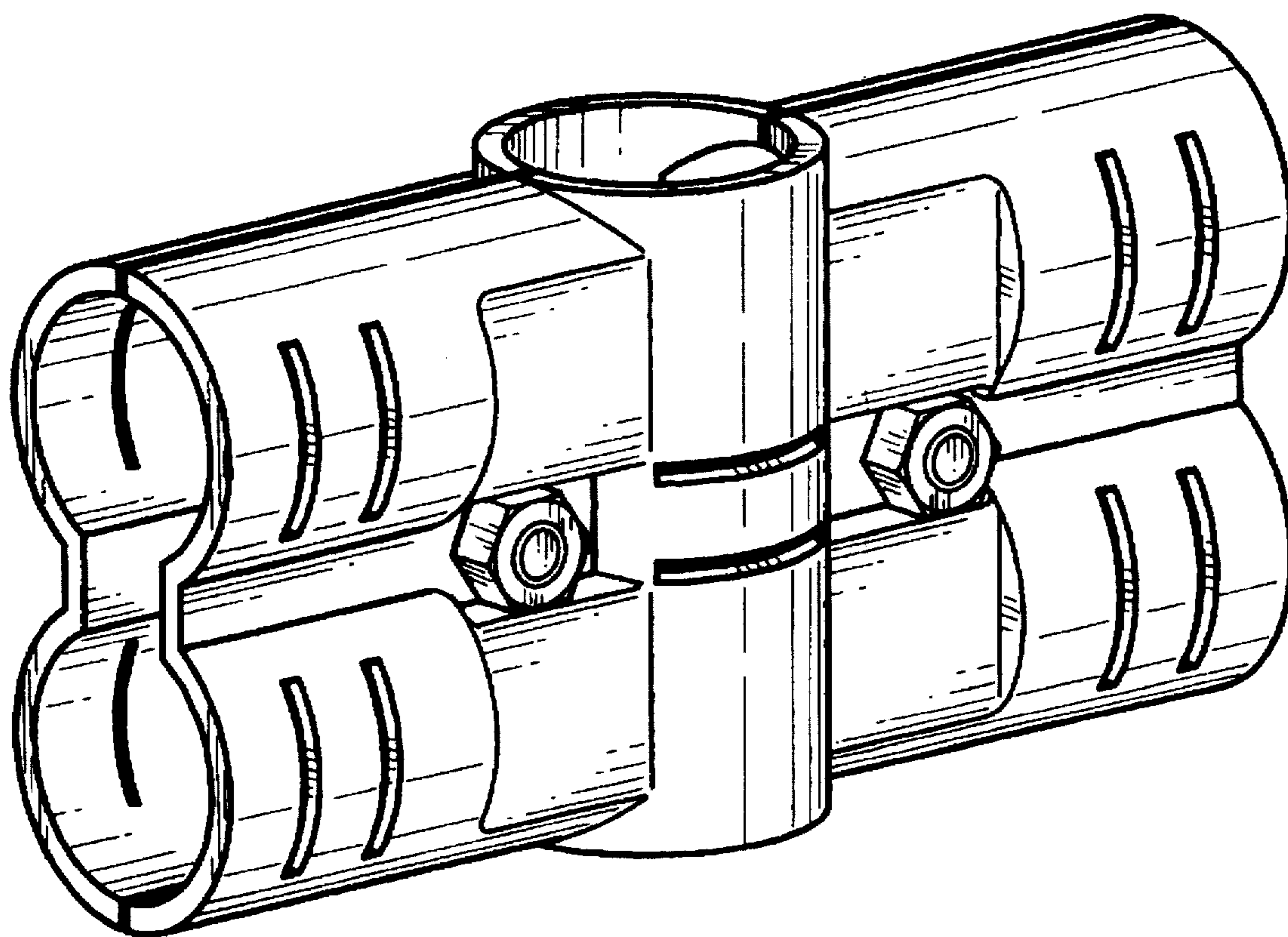


FIG. 2

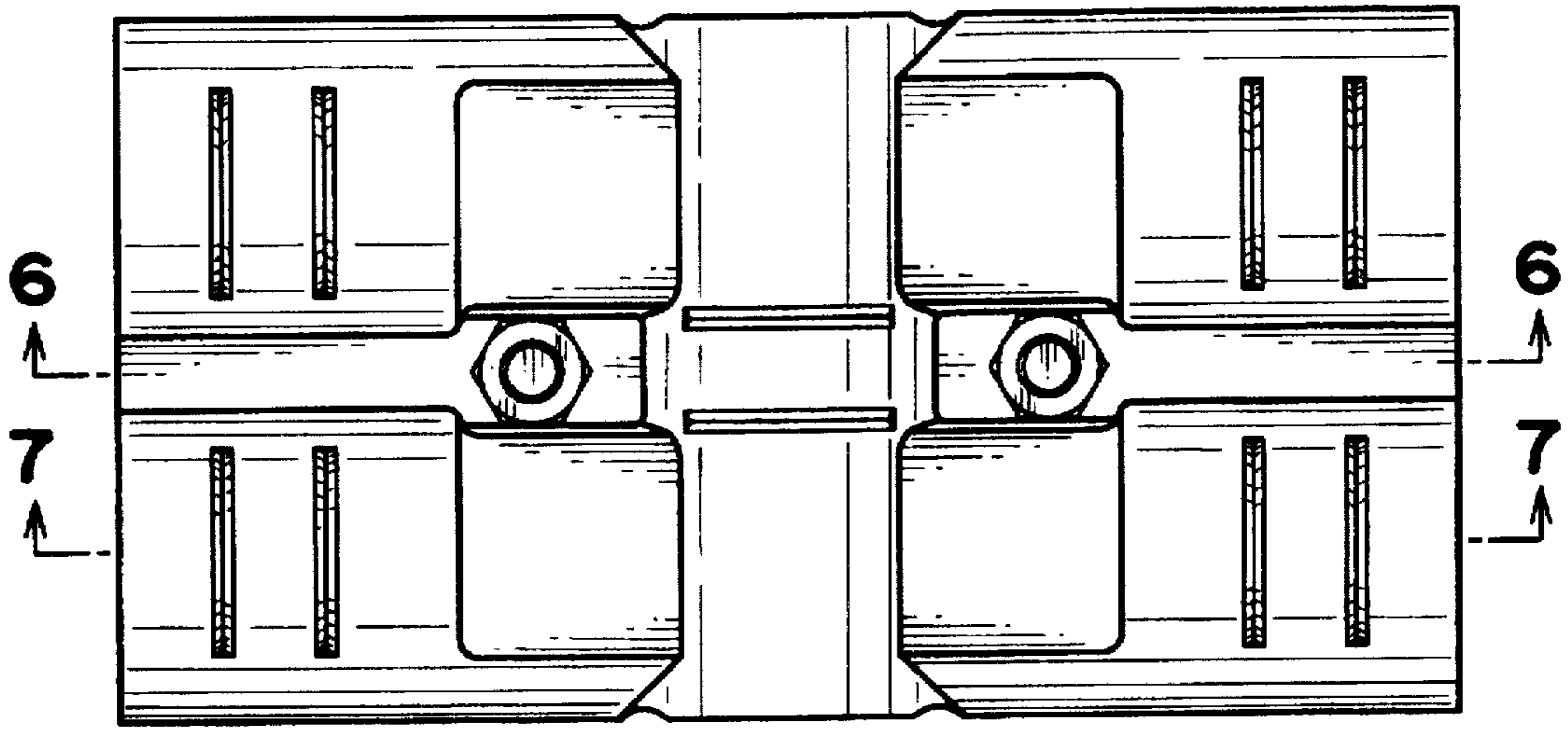


FIG. 3

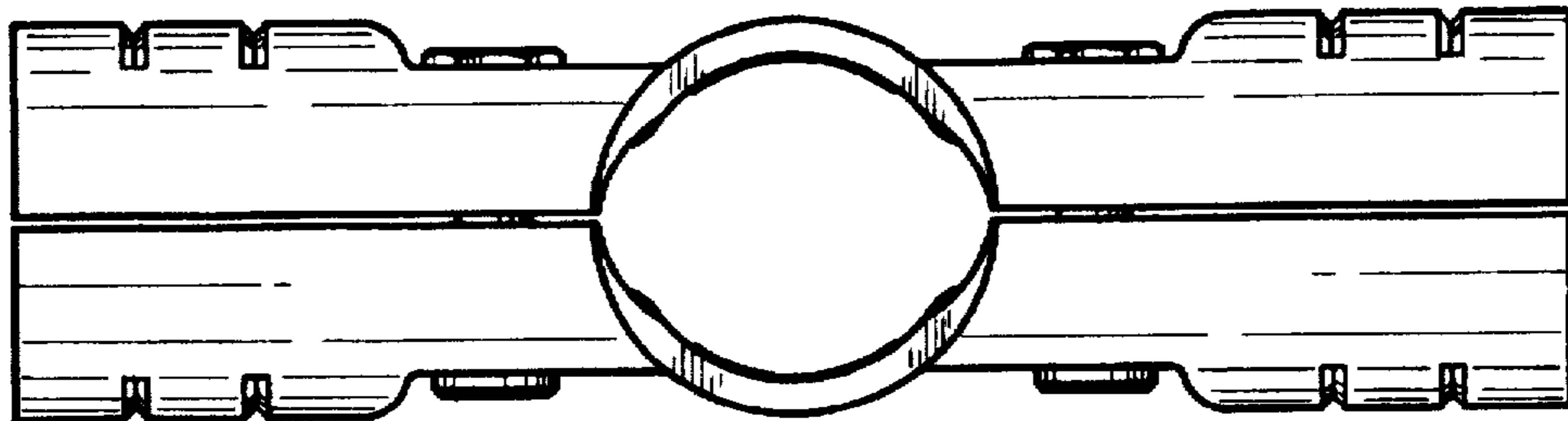


FIG. 4

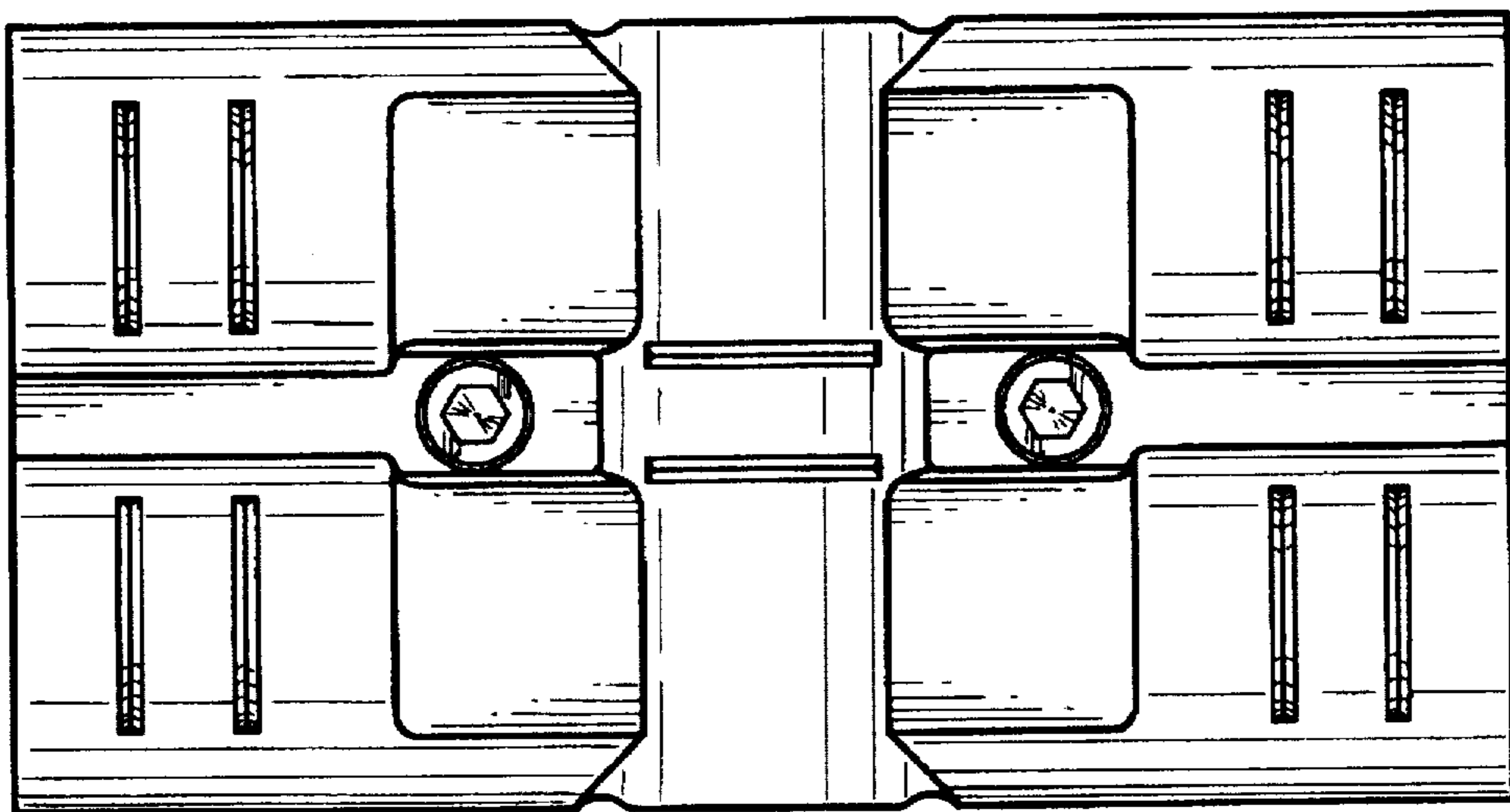


FIG. 5

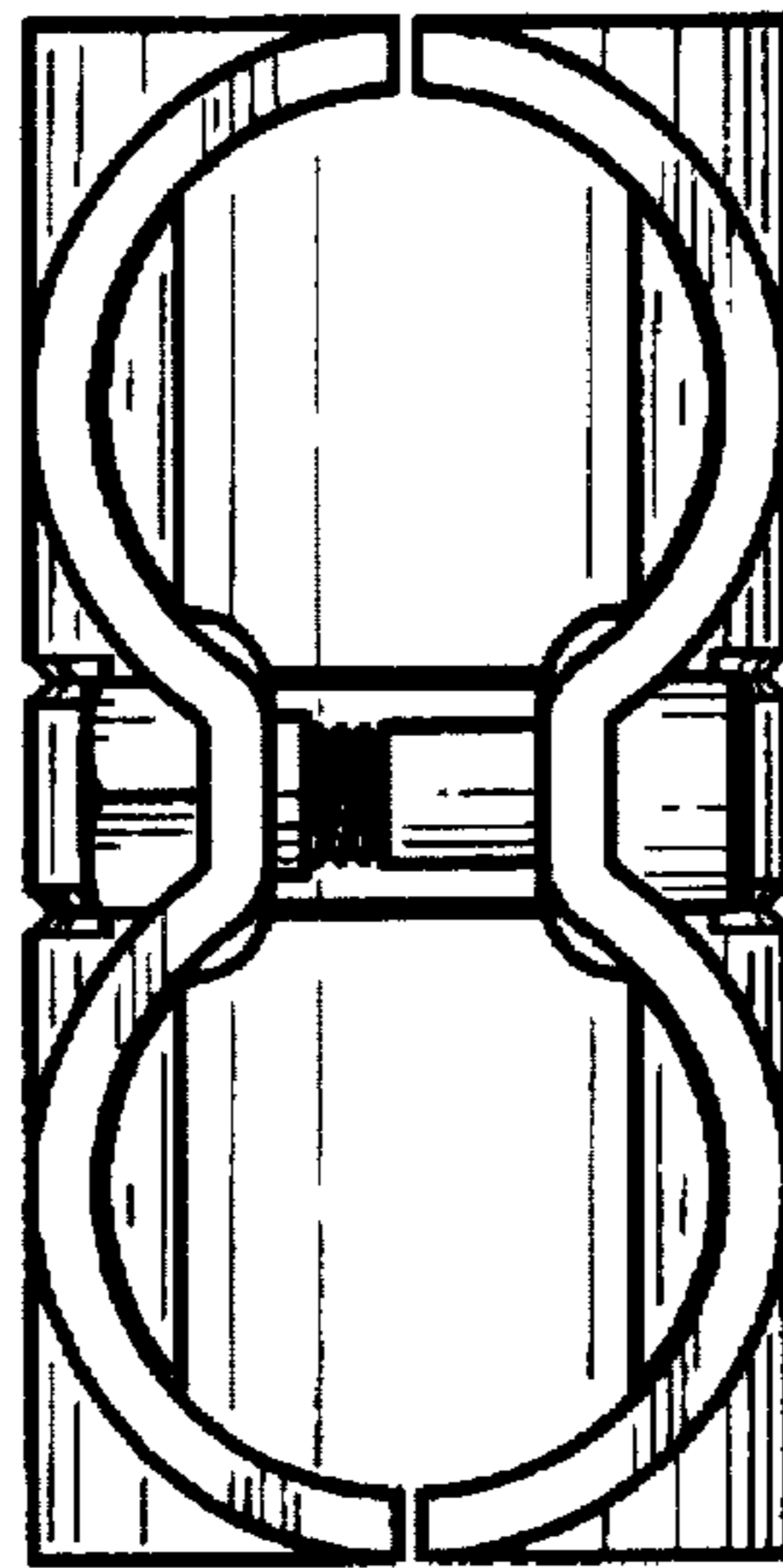


FIG. 6

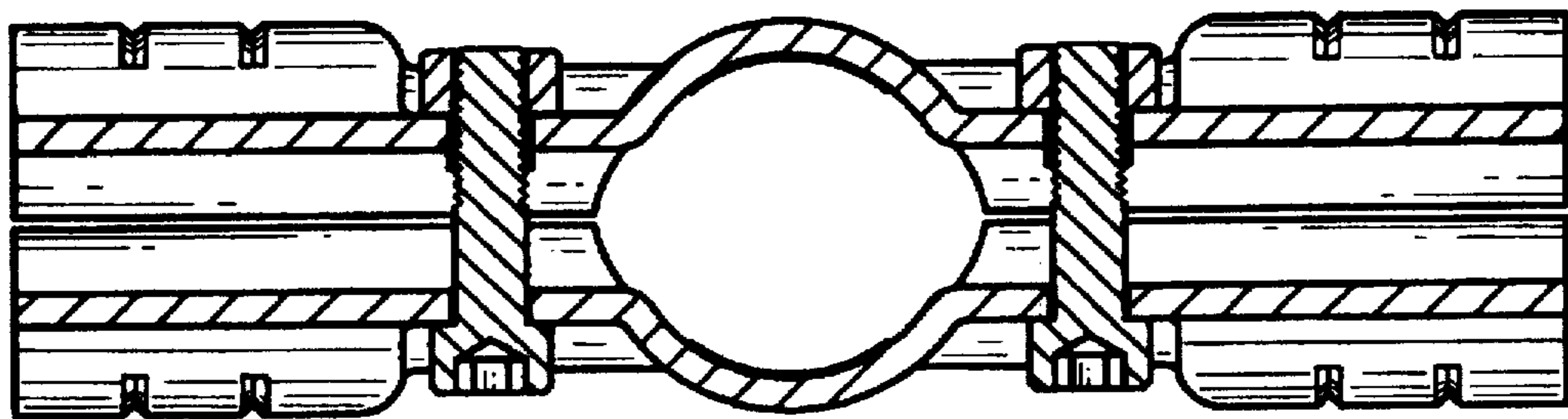


FIG. 7

