



US00D386393S

United States Patent [19]

Ookubo et al.

[11] Patent Number: **Des. 386,393**

[45] Date of Patent: ****Nov. 18, 1997**

[54] **JOINT**

[75] Inventors: **Masayuki Ookubo; Yasuyuki Otani,**
both of Shizuoka, Japan

[73] Assignee: **Yazaki Industrial Chemical Co., Ltd.,**
Japan

[**] Term: **14 Years**

[21] Appl. No.: **48,685**

[22] Filed: **Jan. 11, 1996**

[51] LOC (6) Cl. **08-08**

[52] U.S. Cl. **D8/382**

[58] Field of Search **D8/382, 396; D21/108;**
248/74.1; 403/169, 170, 173, 174, 178,
205, 306, 312

[56] **References Cited**

U.S. PATENT DOCUMENTS

- D. 355,588 2/1995 Kuwata D8/382
- D. 355,589 2/1995 Kuwata D8/382
- 1,261,213 4/1918 Clay 403/173 X
- 2,118,467 5/1938 Jones 403/173

- 2,817,547 12/1957 Canepa 403/173
- 3,747,965 7/1973 Wing 403/178 X
- 4,358,214 11/1982 Shull 403/178 X
- 5,150,980 9/1992 Lin 403/174 X

FOREIGN PATENT DOCUMENTS

682347 2/1981 Japan .

Primary Examiner—Paula A. Mortimer
Attorney, Agent, or Firm—Ronald P. Kananen

[57] **CLAIM**

The ornamental design for a joint, as shown and described.

DESCRIPTION

FIG. 1 is a perspective view of the joint of our new design;
 FIG. 2 is a front elevational view thereof the rear elevational
 view is a mirror image;
 FIG. 3 is a left side elevational view thereof;
 FIG. 4 is a right side elevational view thereof;
 FIG. 5 is a top plan view thereof;
 FIG. 6 is a bottom end view thereof;
 FIG. 7 is a sectional view along line 7—7 of FIG. 5; and
 FIG. 8 is a sectional view along line 8—8 of FIG. 5.

1 Claim, 4 Drawing Sheets

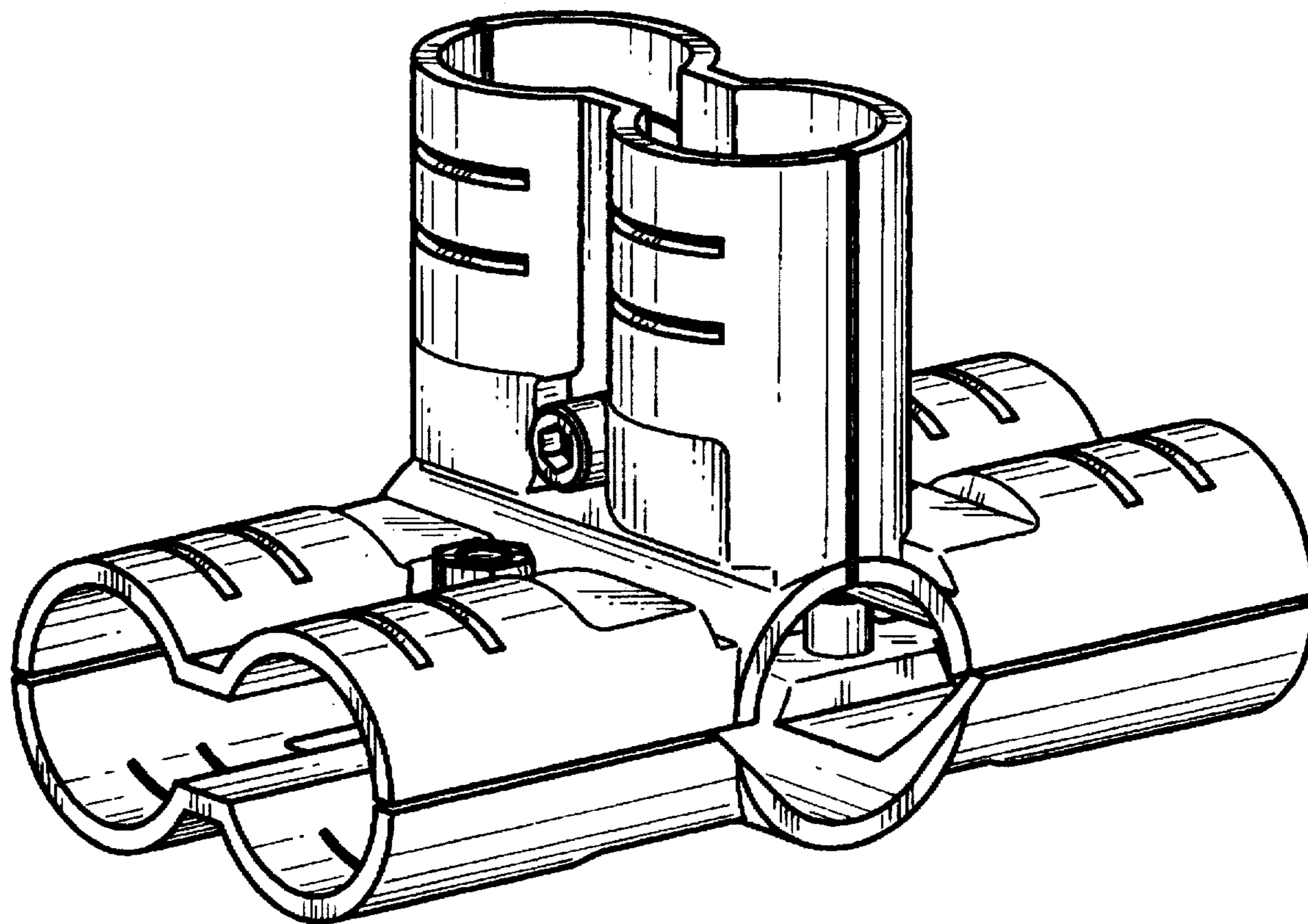


FIG. 1

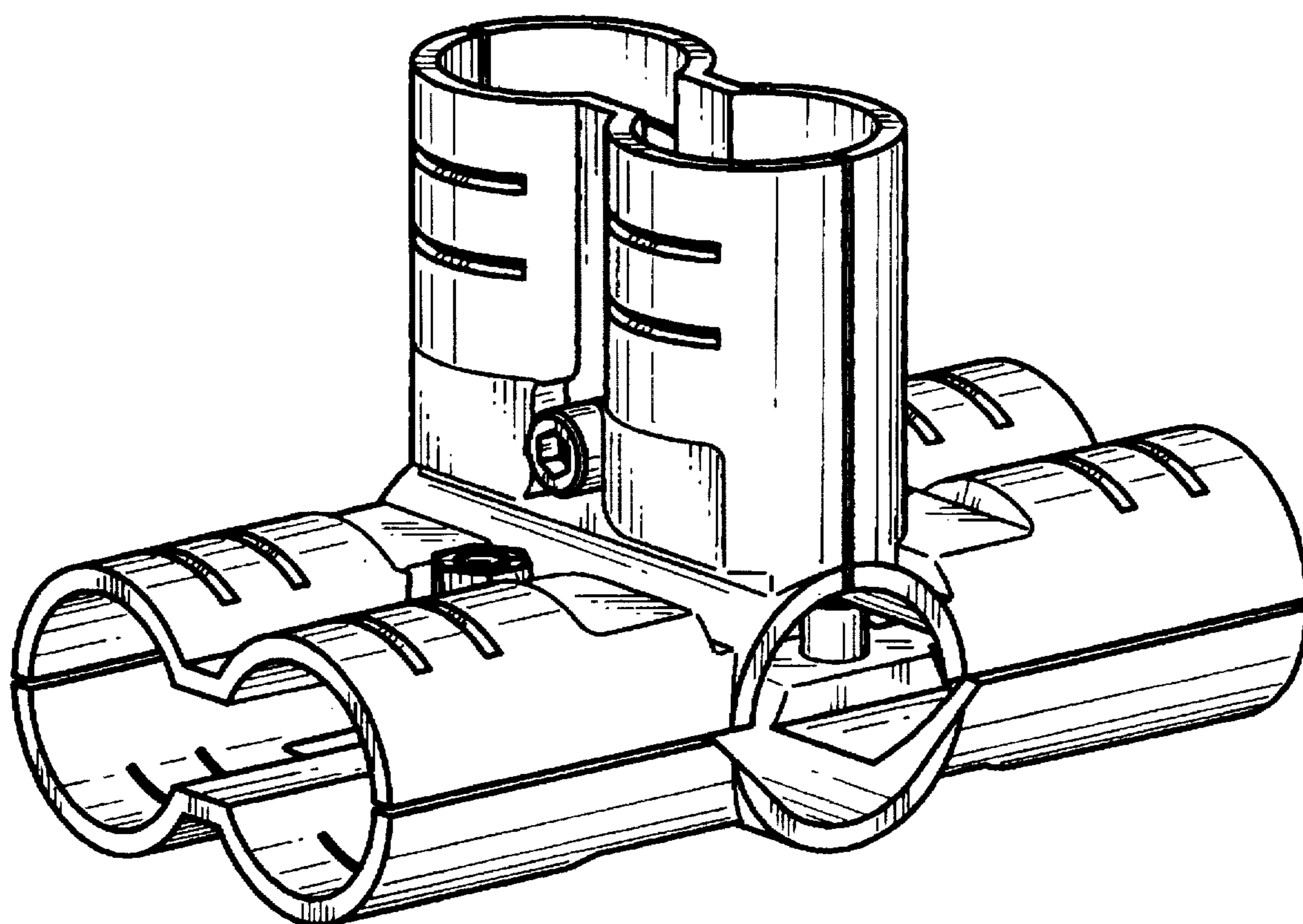


FIG. 2

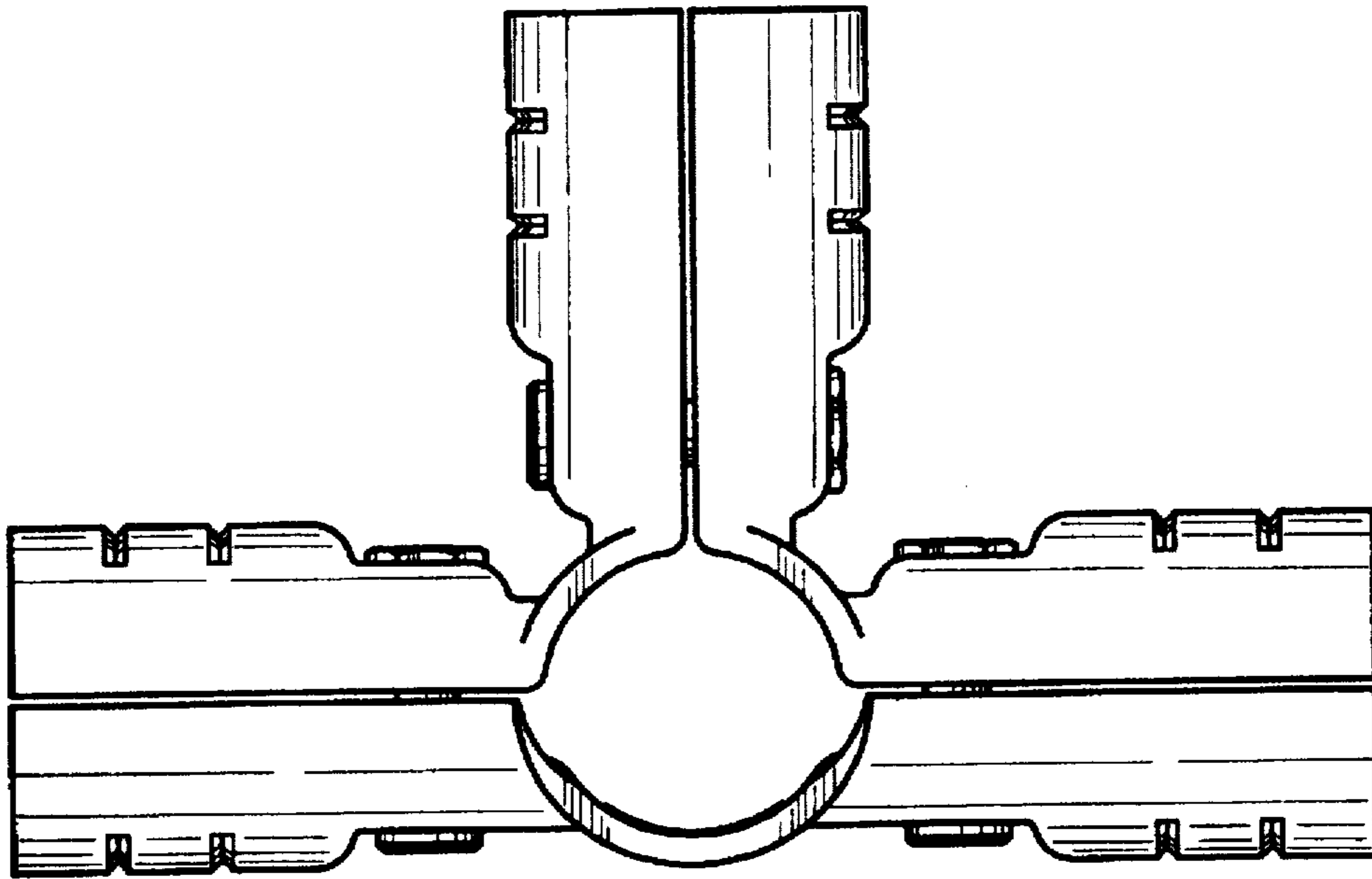


FIG. 3

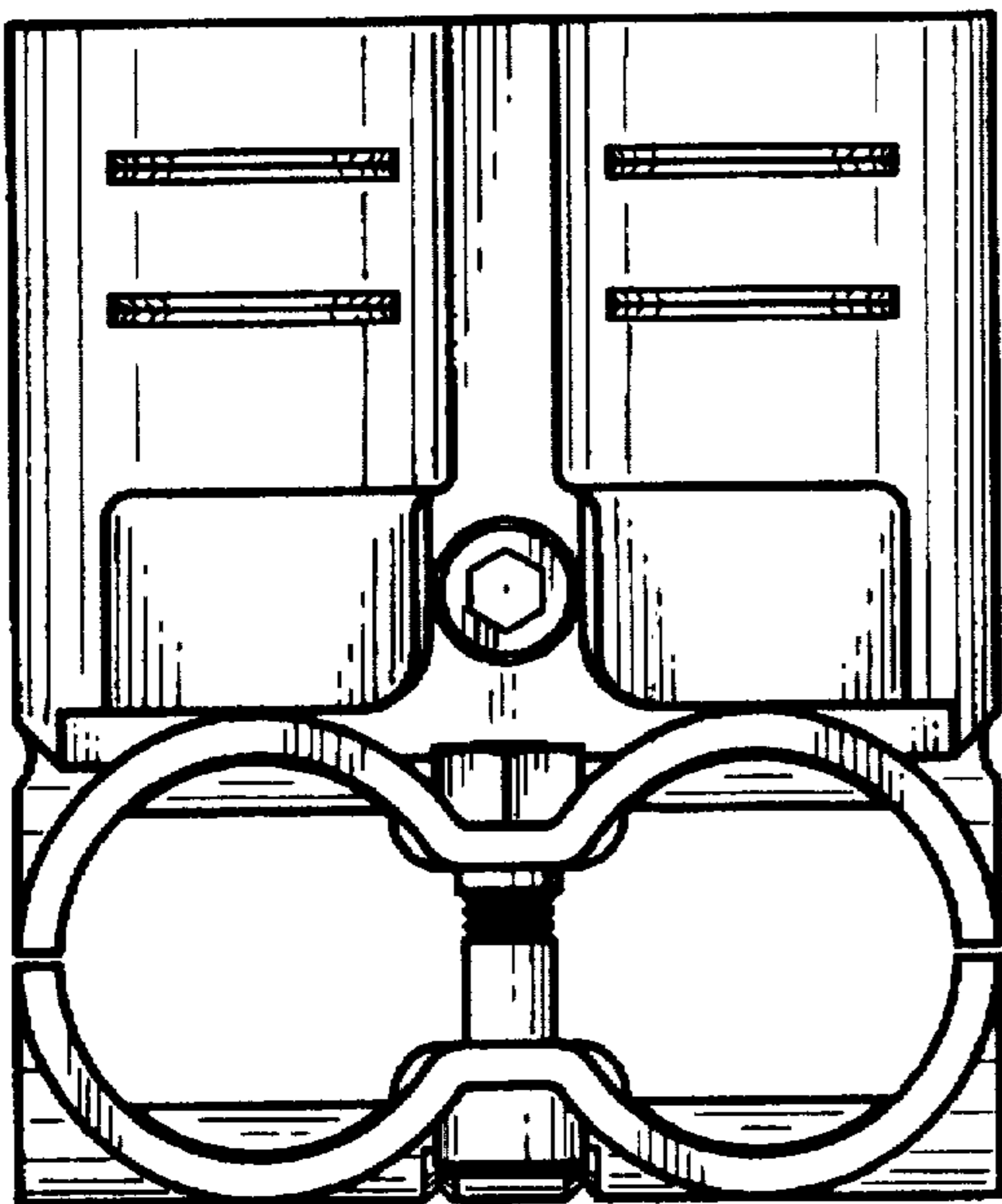


FIG. 4

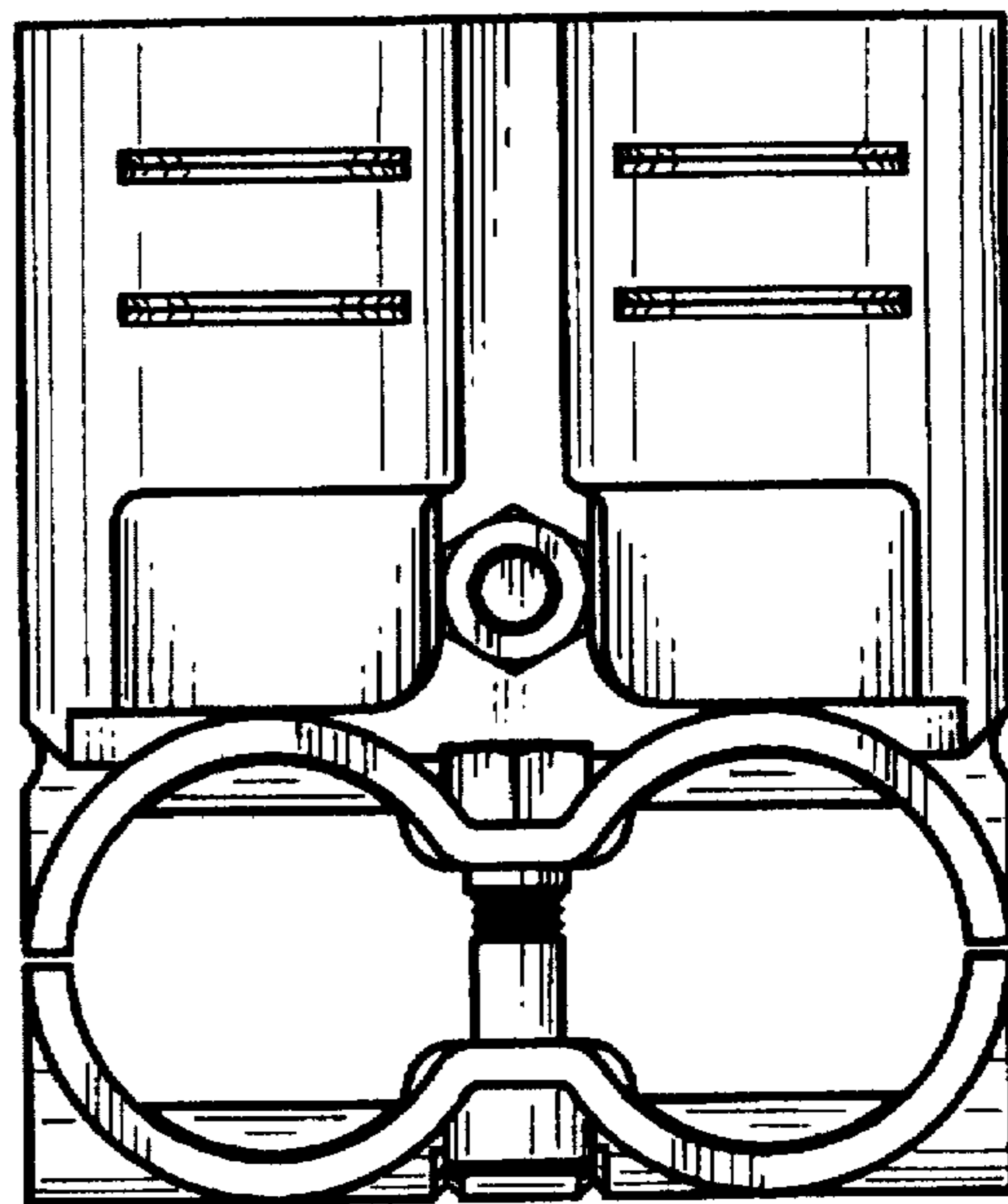


FIG. 5

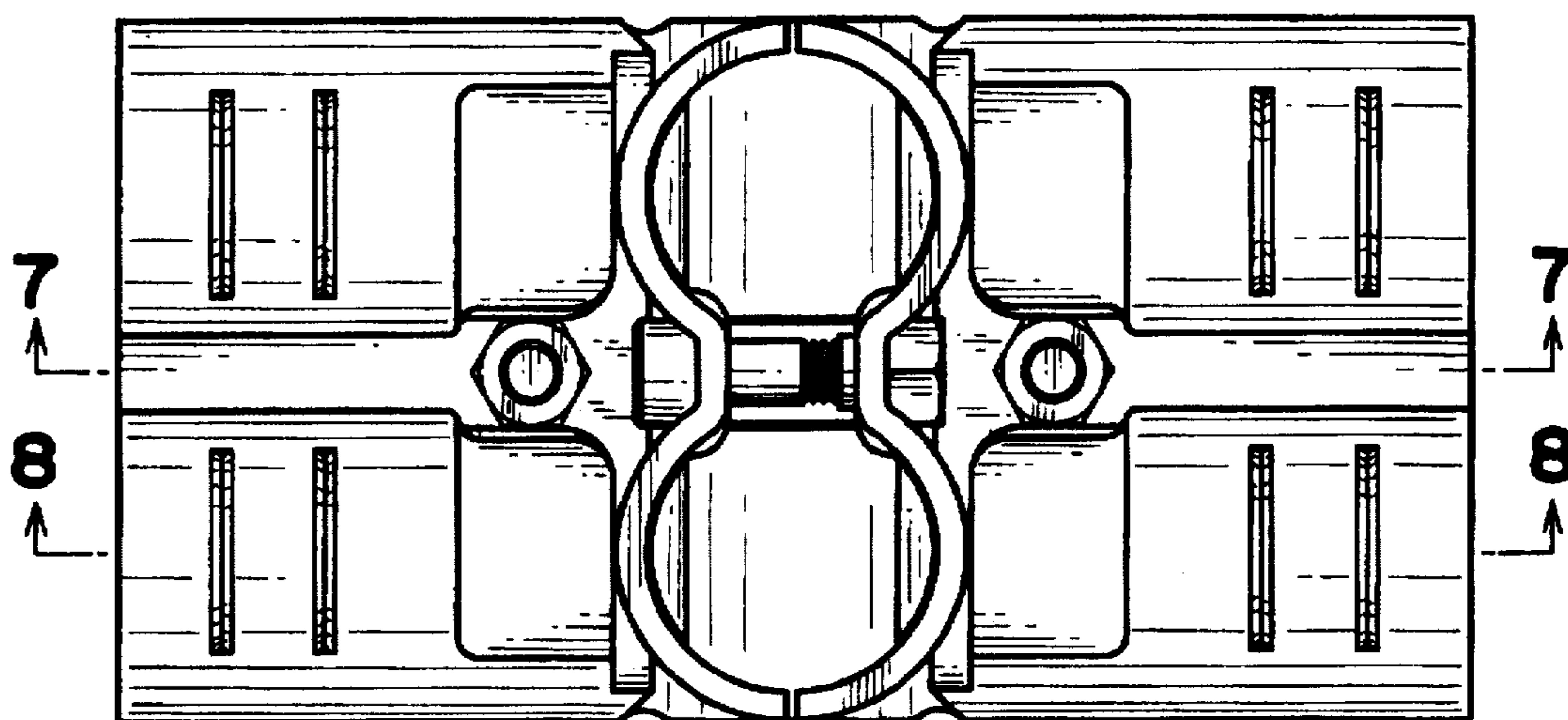


FIG. 6

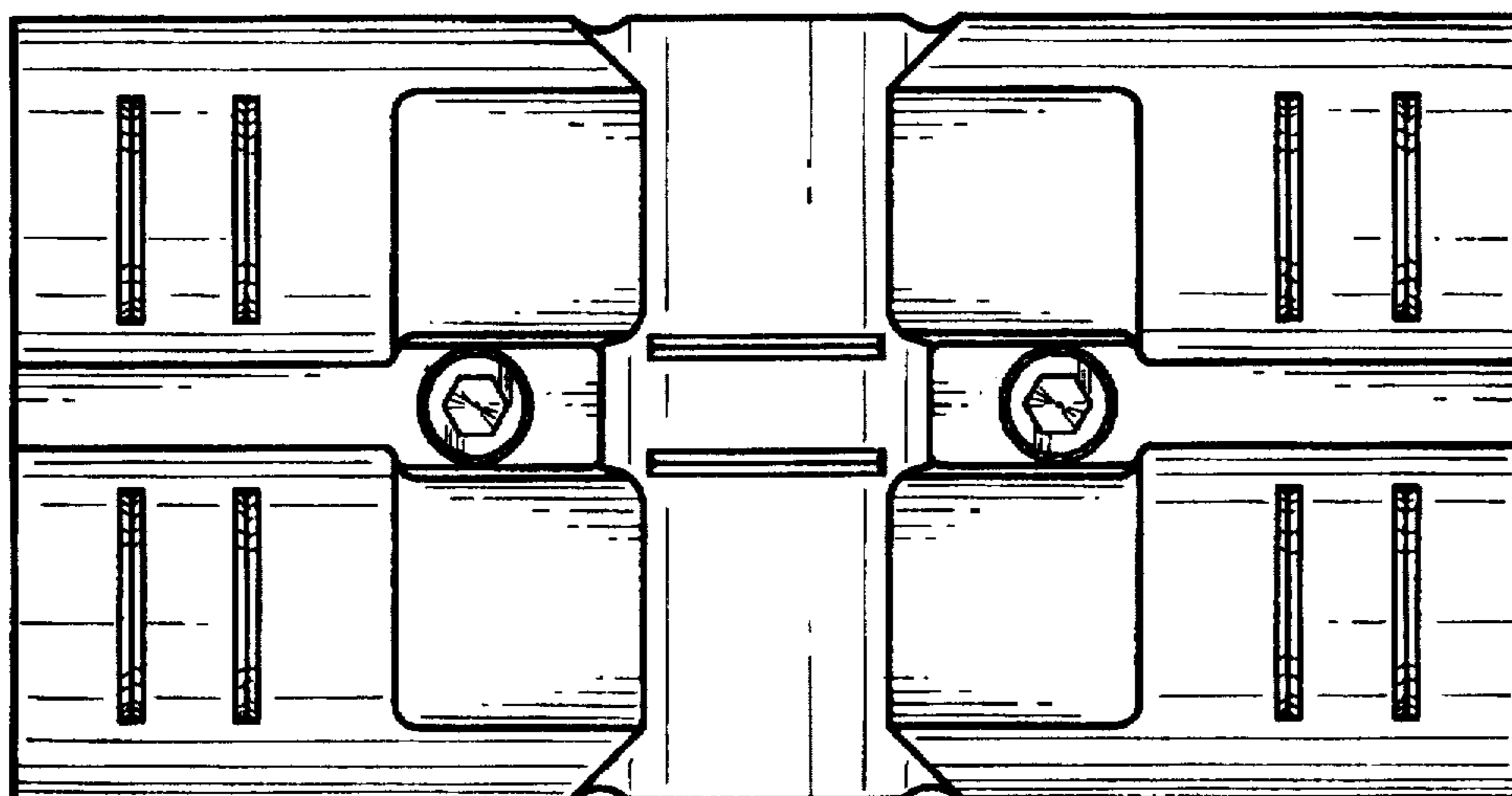


FIG. 7

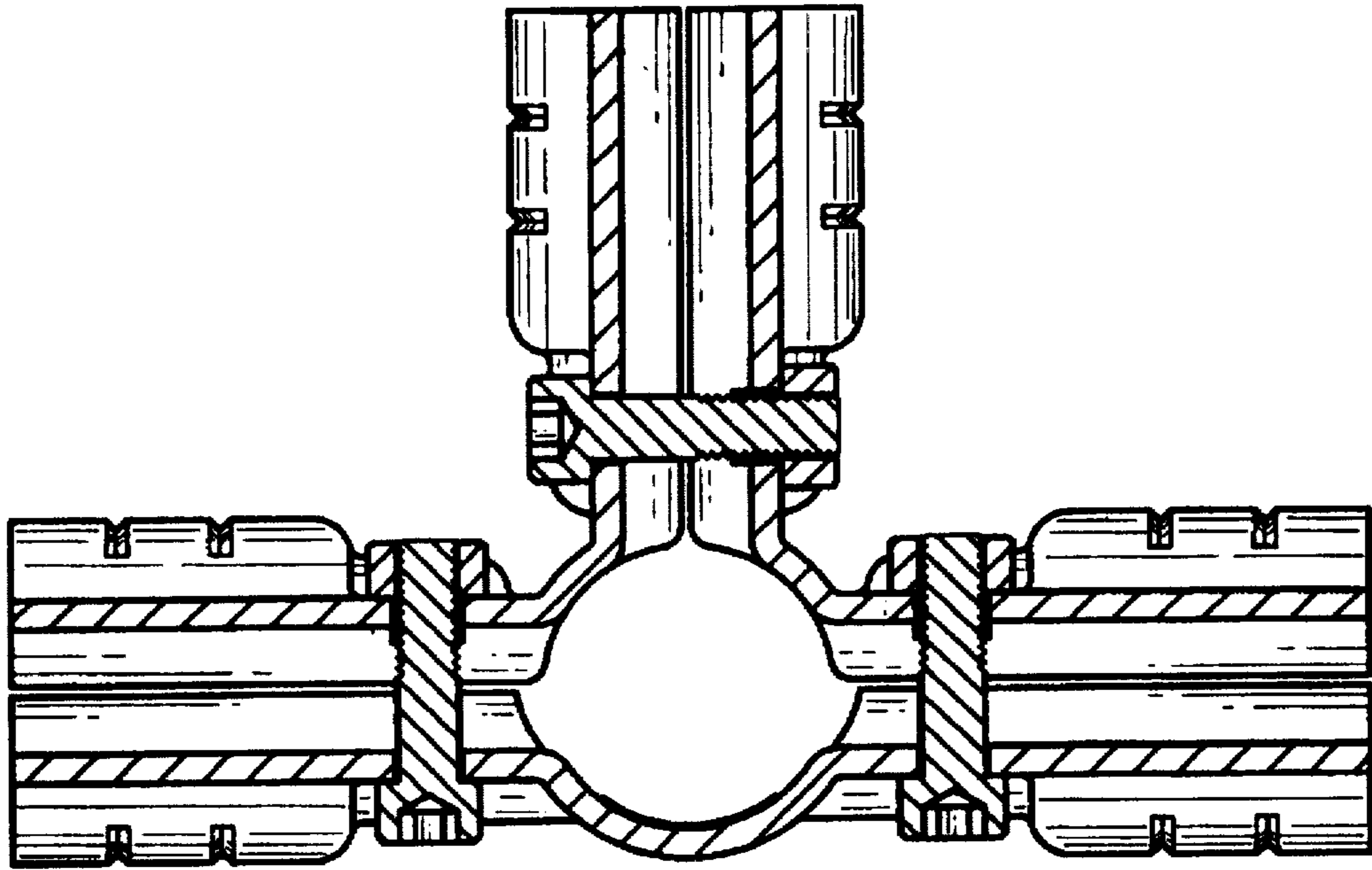


FIG. 8

