

US00D386387S

United States Patent [19]
Rausch

[11] **Patent Number:** **Des. 386,387**
[45] **Date of Patent:** ****Nov. 18, 1997**

[54] **BRACKET**

[75] **Inventor:** **Kevin Rausch, Wooster, Ohio**

[73] **Assignee:** **Rubbermaid Specialty Products Inc.,
Wooster, Ohio**

[**] **Term:** **14 Years**

[21] **Appl. No.:** **55,361**

[22] **Filed:** **Jun. 4, 1996**

[51] **LOC (6) Cl.** **08-05**

[52] **U.S. Cl.** **D8/349**

[58] **Field of Search** **D8/349, 354; 248/300,
248/200, 235, 205.1, 216.4, 316.7, 346.04;
D12/223**

Catalog page, Walter cooler mounting bracket; Rubbermaid Specialty Products Inc., 1147 Akron Road, Wooster, Ohio 44691. Publication date 1995.

Catalog page, Braciet; Igloo Products Corp., 1001 West Sam Houston Parkway North, P.O. Box 19322, Houston, Texas 77224. Publication date 1991.

Primary Examiner—Holly Baynham

Attorney, Agent, or Firm—Richard B. O’Planick; Lisa B. Riedesel

[57] **CLAIM**

The ornamental design for a bracket, as shown and described.

DESCRIPTION

FIG. 1 is a top right front perspective view of a bracket showing my new design;

FIG. 2 is a top plan view thereof;

FIG. 3 is a rear elevational view thereof;

FIG. 4 is a front elevational view thereof; and,

FIG. 5 is a right side elevational view thereof; the left side elevational view being a mirror image.

[56] **References Cited**

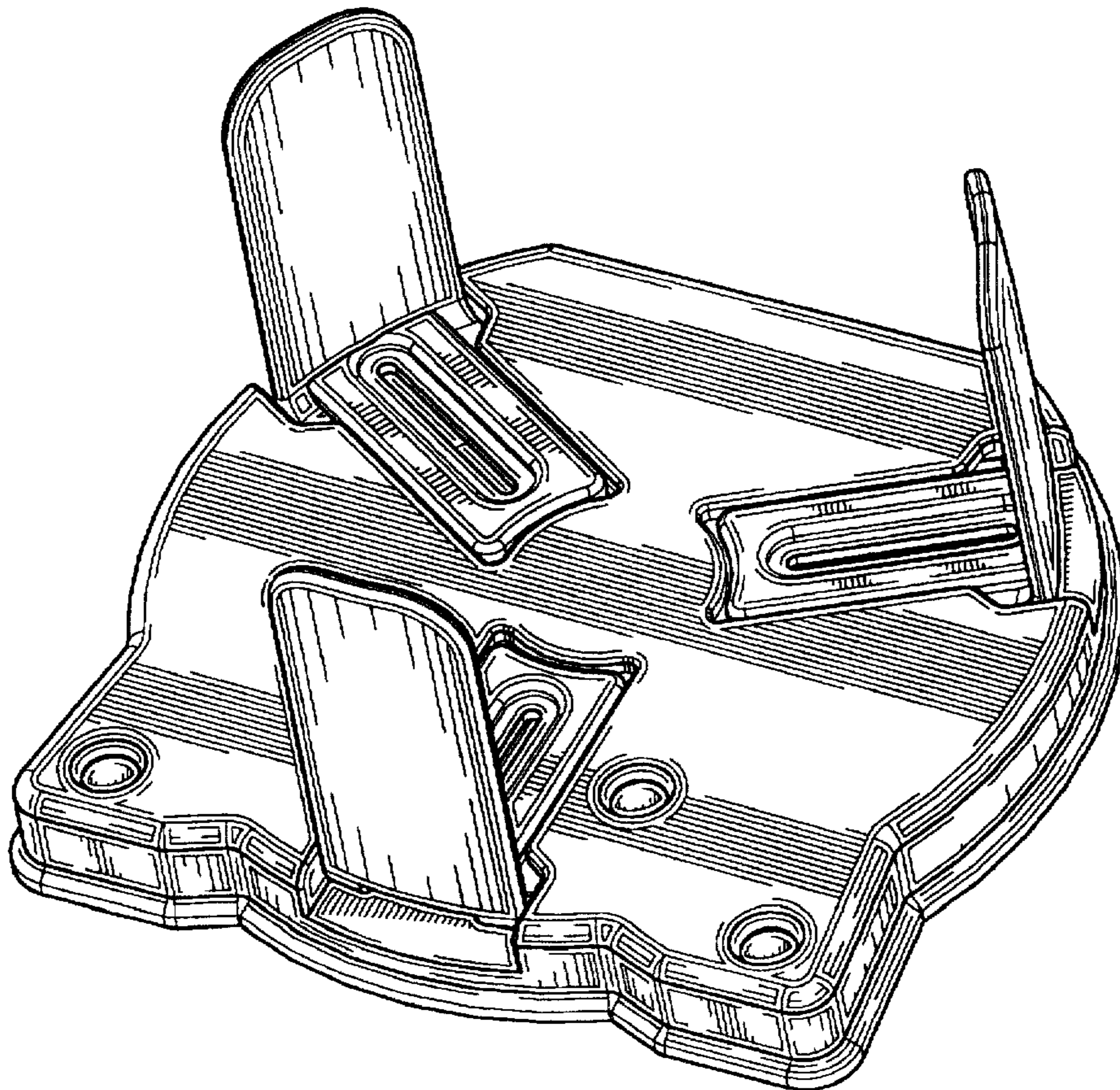
U.S. PATENT DOCUMENTS

D. 150,460	8/1948	Price	D12/223
D. 151,643	11/1948	Mackenzie	248/300 X
2,509,793	5/1950	Yost	248/300
3,402,907	9/1968	Fisher	248/235 X

OTHER PUBLICATIONS

P. 37, Beverage cooler mounting bracket; The Coleman Company, Inc., P.O. Box 2931, Wichita, Kansas 67201-2931. Publication date 1994.

1 Claim, 5 Drawing Sheets



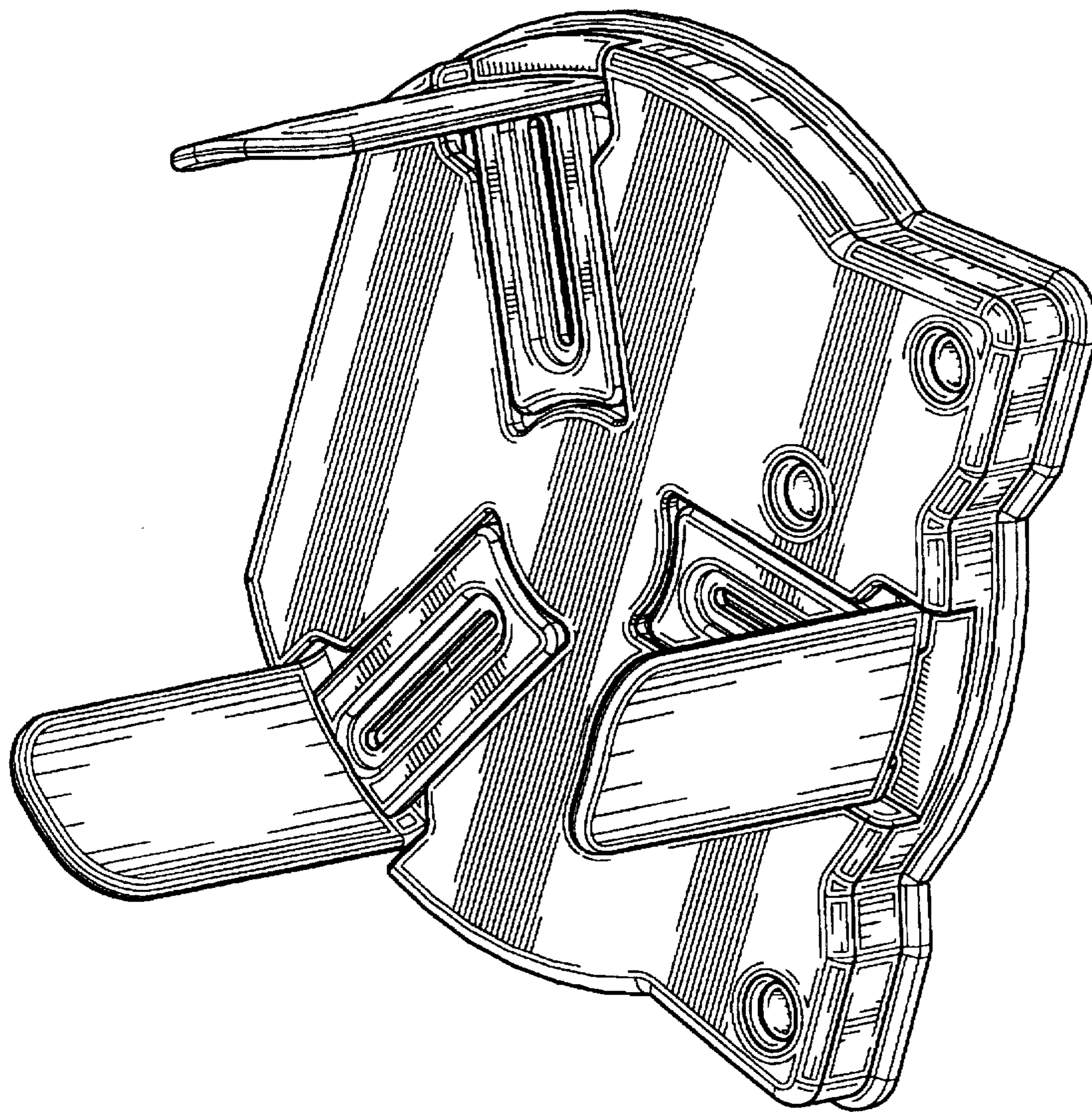


FIG. 1

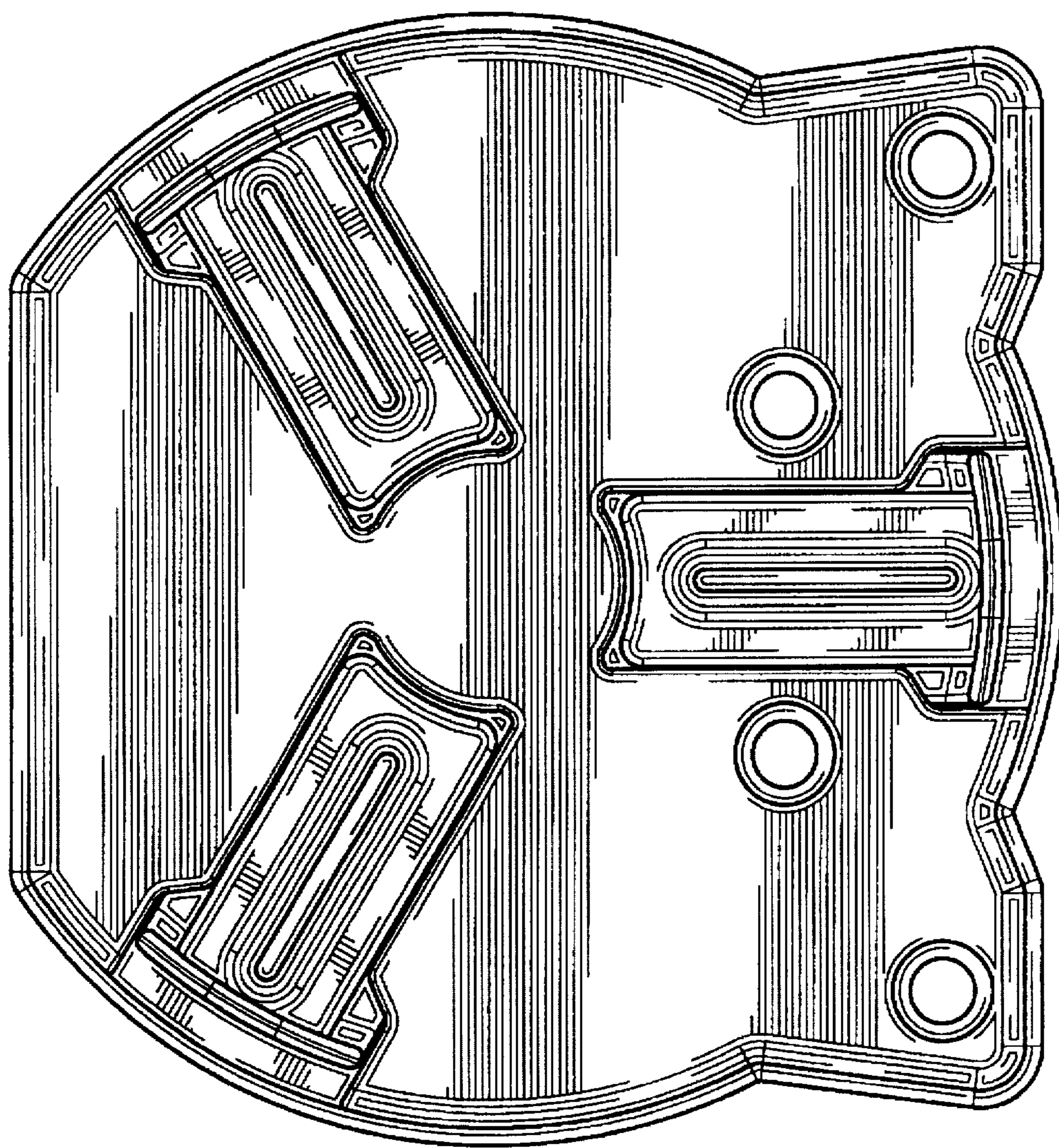


FIG. 2

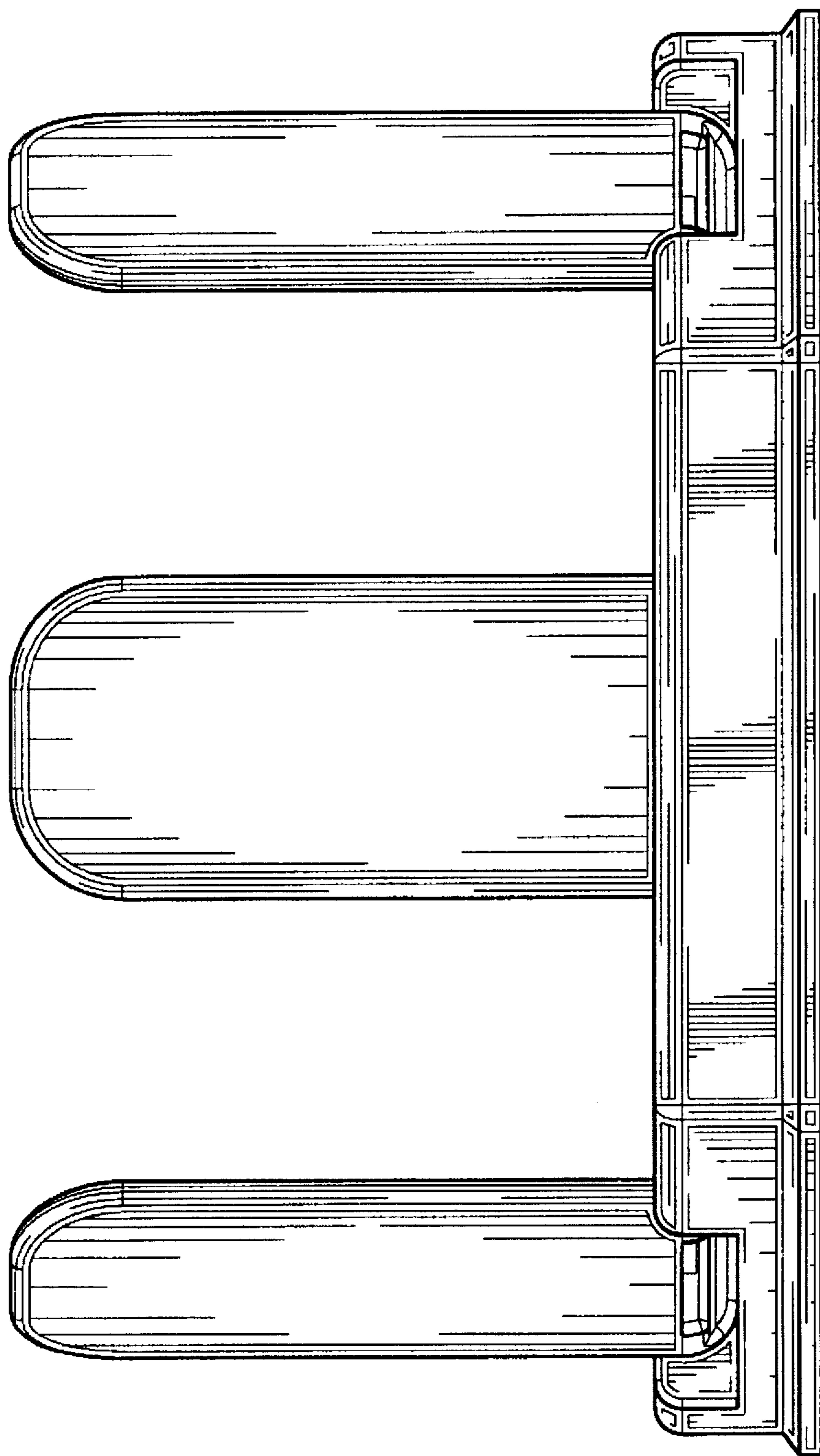


FIG. 3

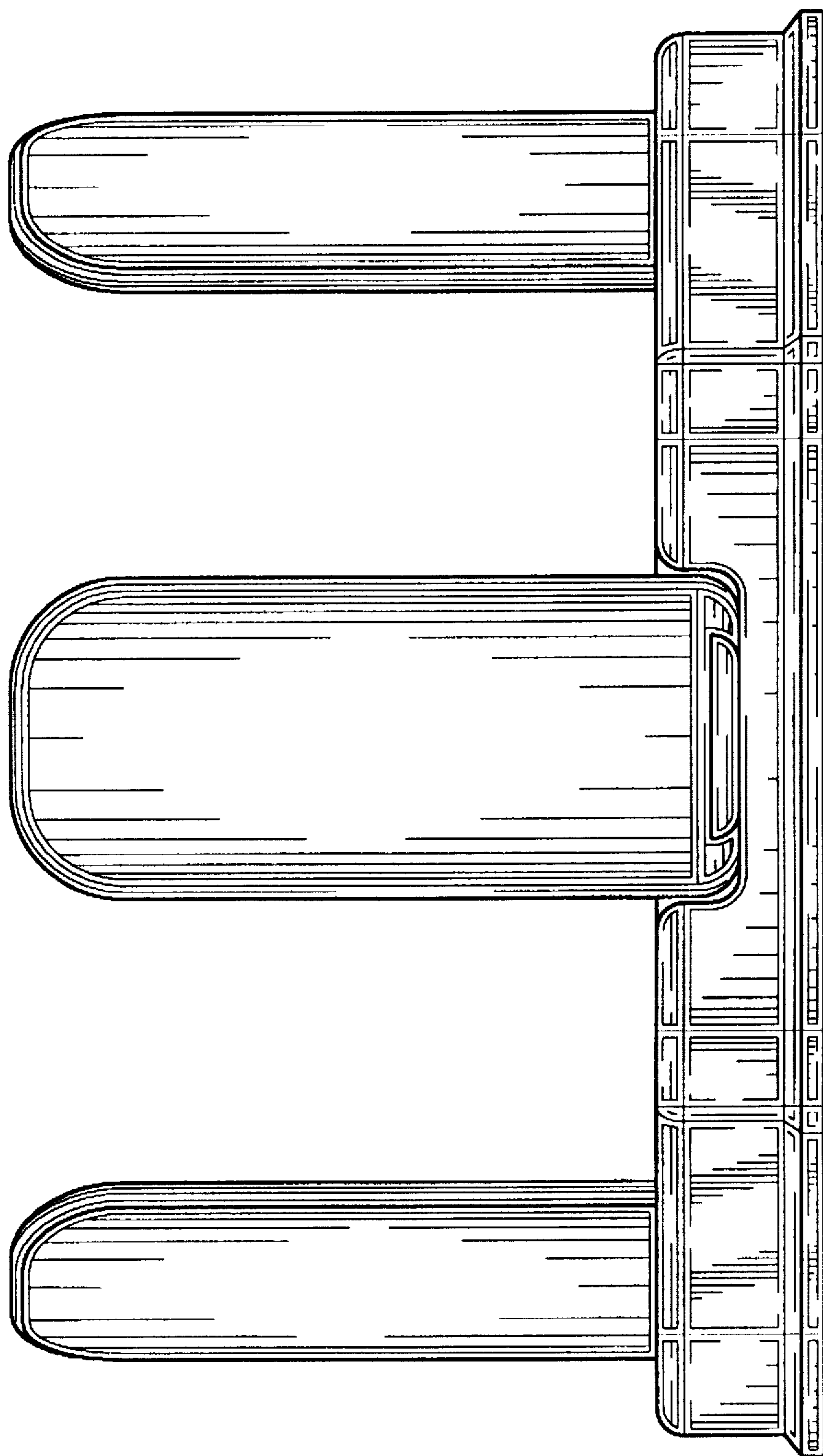


FIG. 4

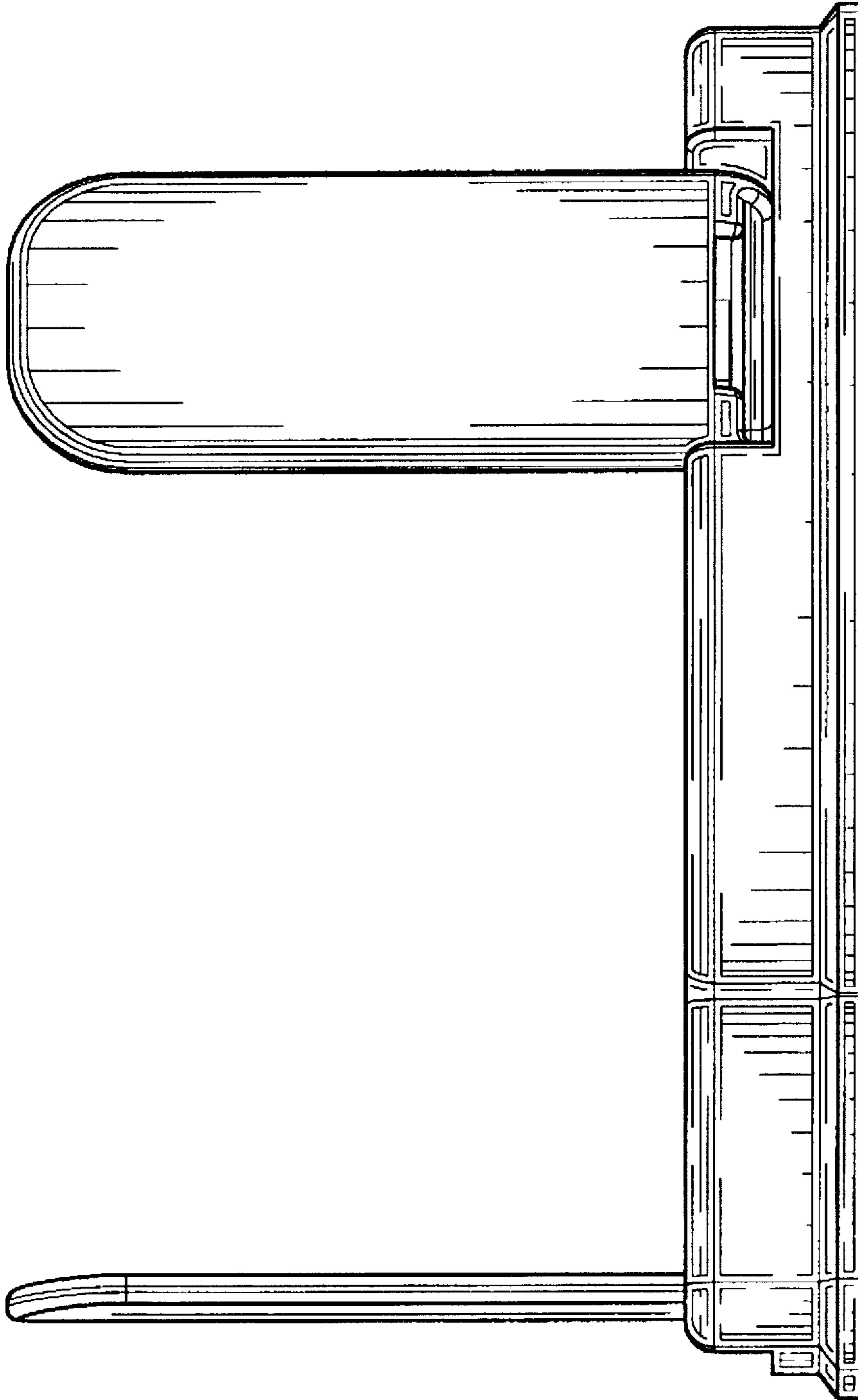


FIG. 5