

US00D386386S

United States Patent [19]

Hsu

[11] Patent Number: **Des. 386,386**

[45] Date of Patent: ****Nov. 18, 1997**

[54] LOCK FOR A GEAR SHIFT LEVER

D. 368,645 4/1996 Chen D8/331
5,325,688 7/1994 Jaw-Jia 70/209 X

[75] Inventor: **Yun-Tung Hsu**, Taipei, Taiwan

Primary Examiner—Brian N. Vinson

[73] Assignee: **Ching-Tsai Wang**, Taichung, Taiwan

Attorney, Agent, or Firm—Townsend and Townsend and Crew LLP

[**] Term: **14 Years**

[57] **CLAIM**

[21] Appl. No.: **51,774**

The ornamental design for lock for a gear shift lever, as shown and described.

[22] Filed: **Mar. 18, 1996**

DESCRIPTION

[51] LOC (6) Cl. **08-07**

[52] U.S. Cl. **D8/333**

[58] Field of Search D8/330-331, 333,
D8/336, 338; 70/207-211, 214-215, 225-226,
237-238; 292/285

FIG. 1 is a perspective view of a lock for a gear shift lever showing my new design;

FIG. 2 is a front elevational view thereof;

FIG. 3 is a rear elevational view thereof;

FIG. 4 is a left side elevational view thereof;

FIG. 5 is a right side elevational view thereof;

FIG. 6 is a top plan view thereof; and,

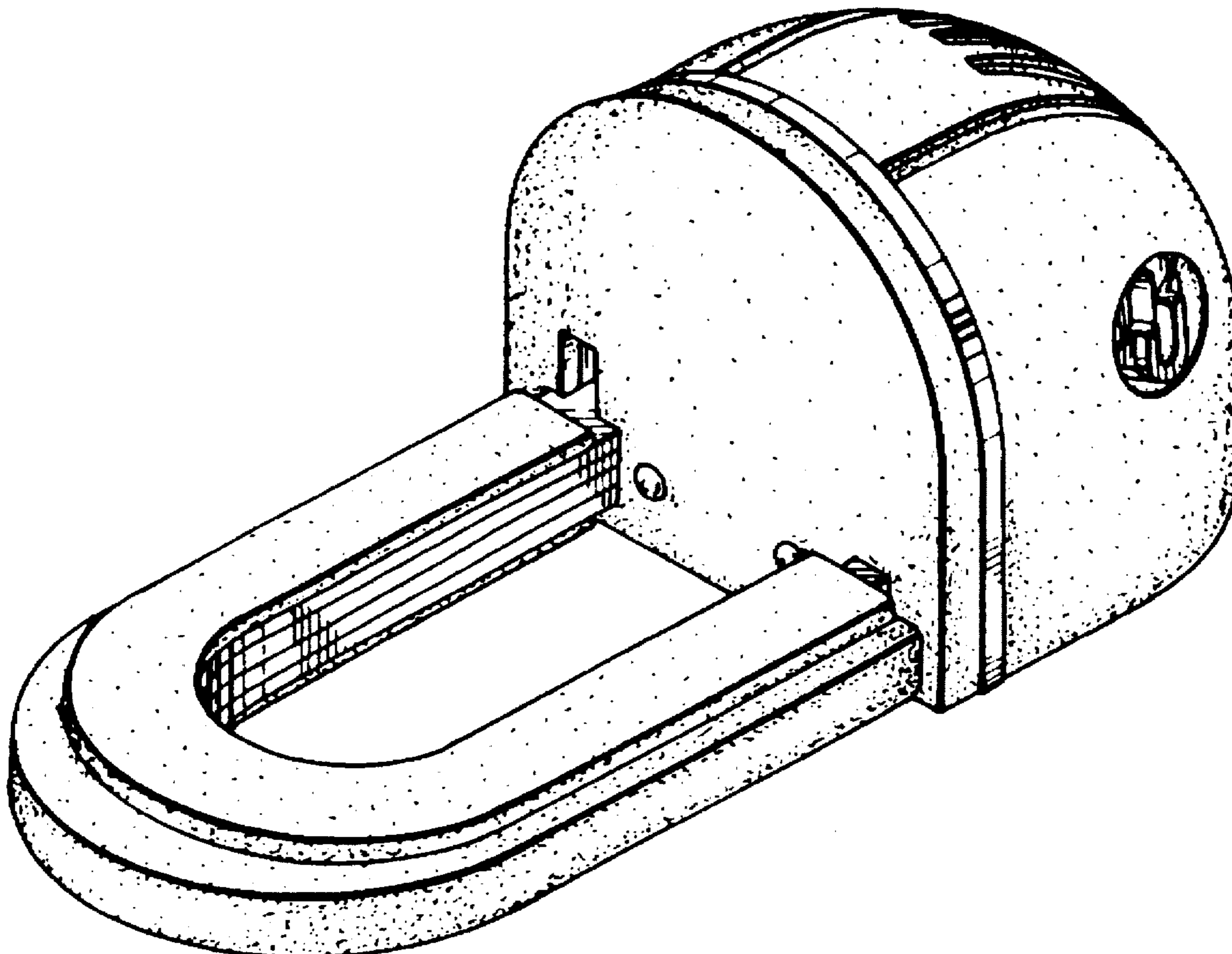
FIG. 7 is a bottom plan view thereof.

[56] References Cited

U.S. PATENT DOCUMENTS

D. 356,937 4/1995 Hsiao D8/333

1 Claim, 4 Drawing Sheets



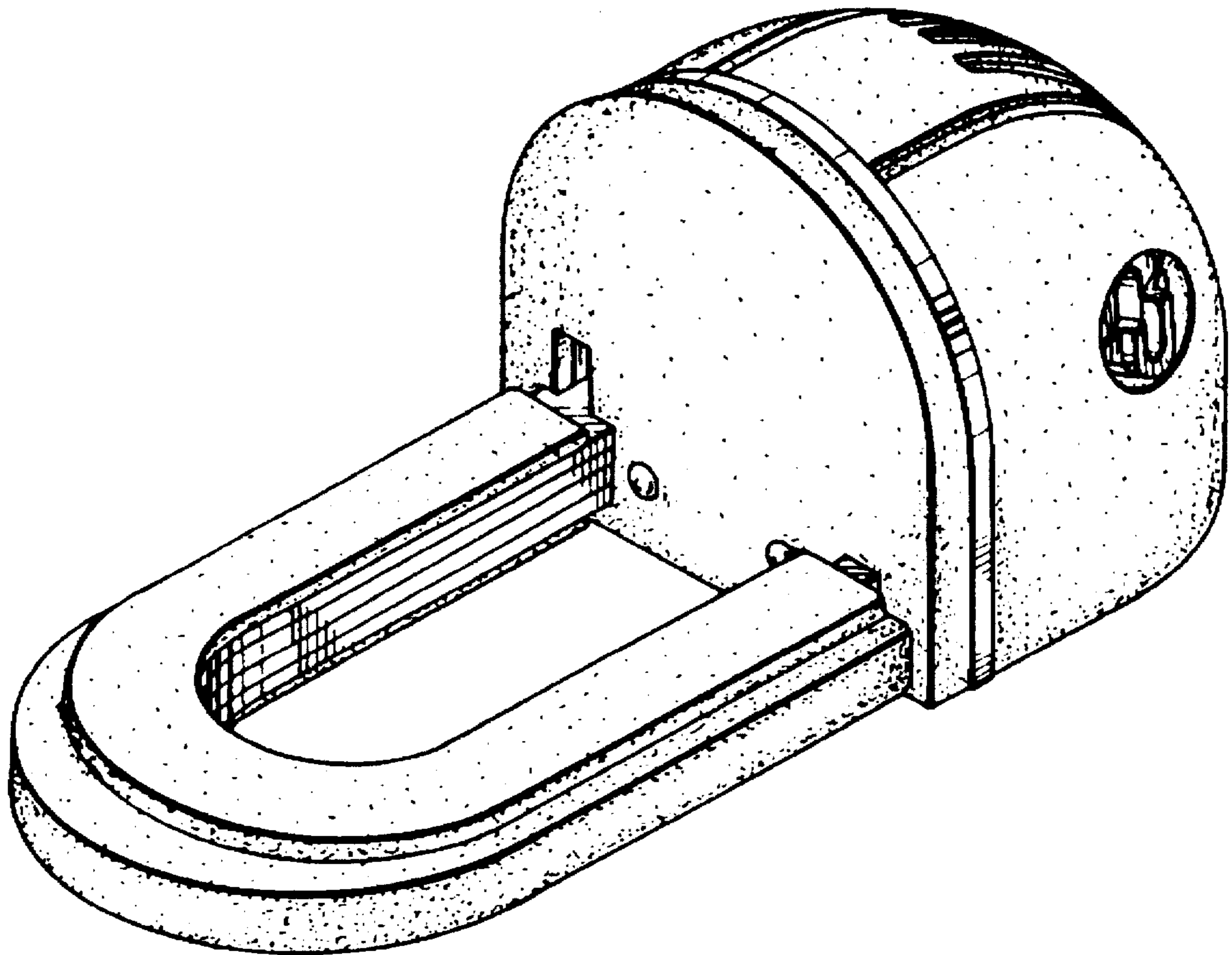


FIG. 1

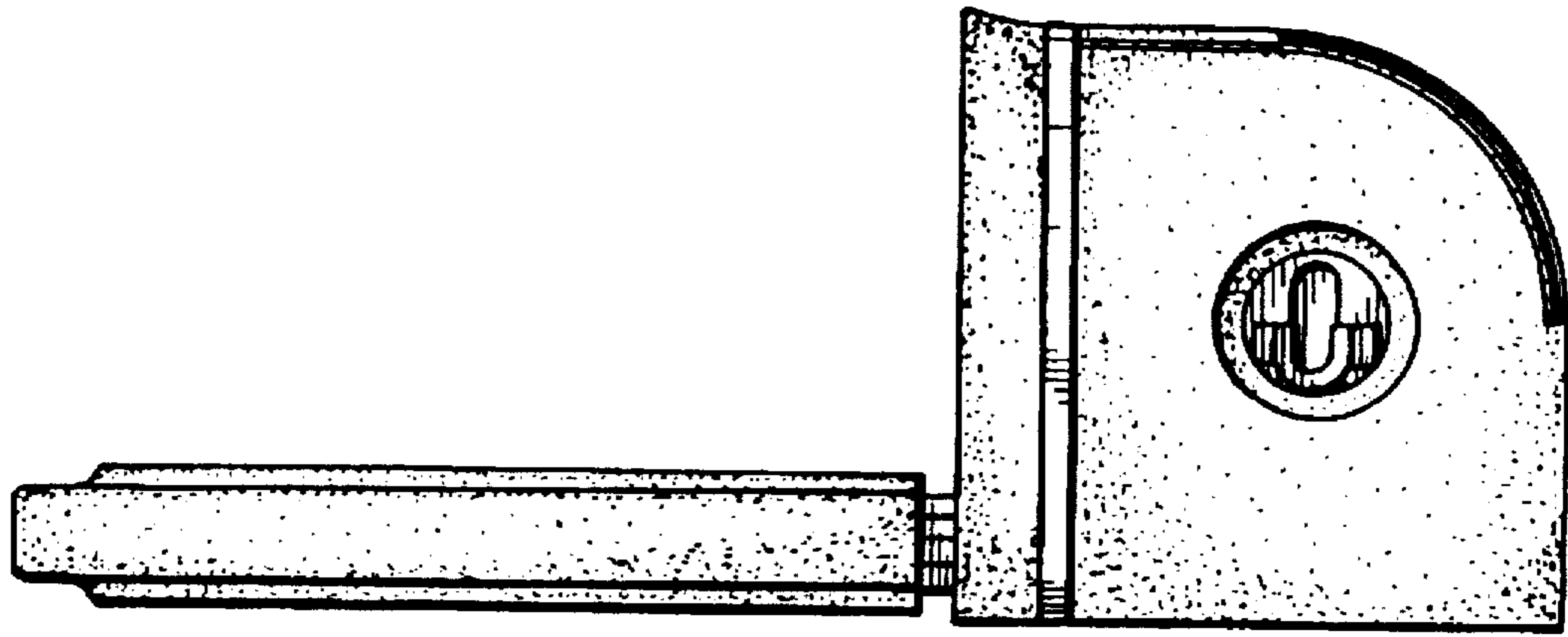


FIG. 2

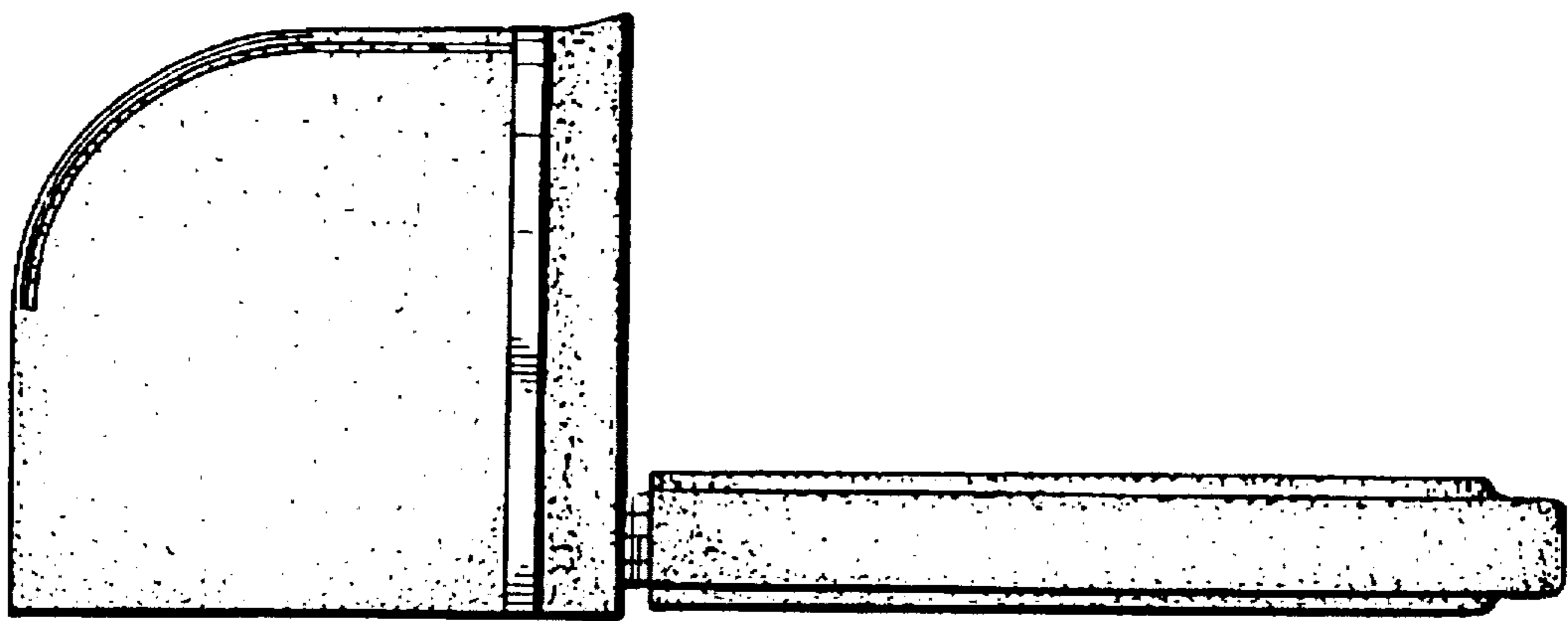


FIG. 3

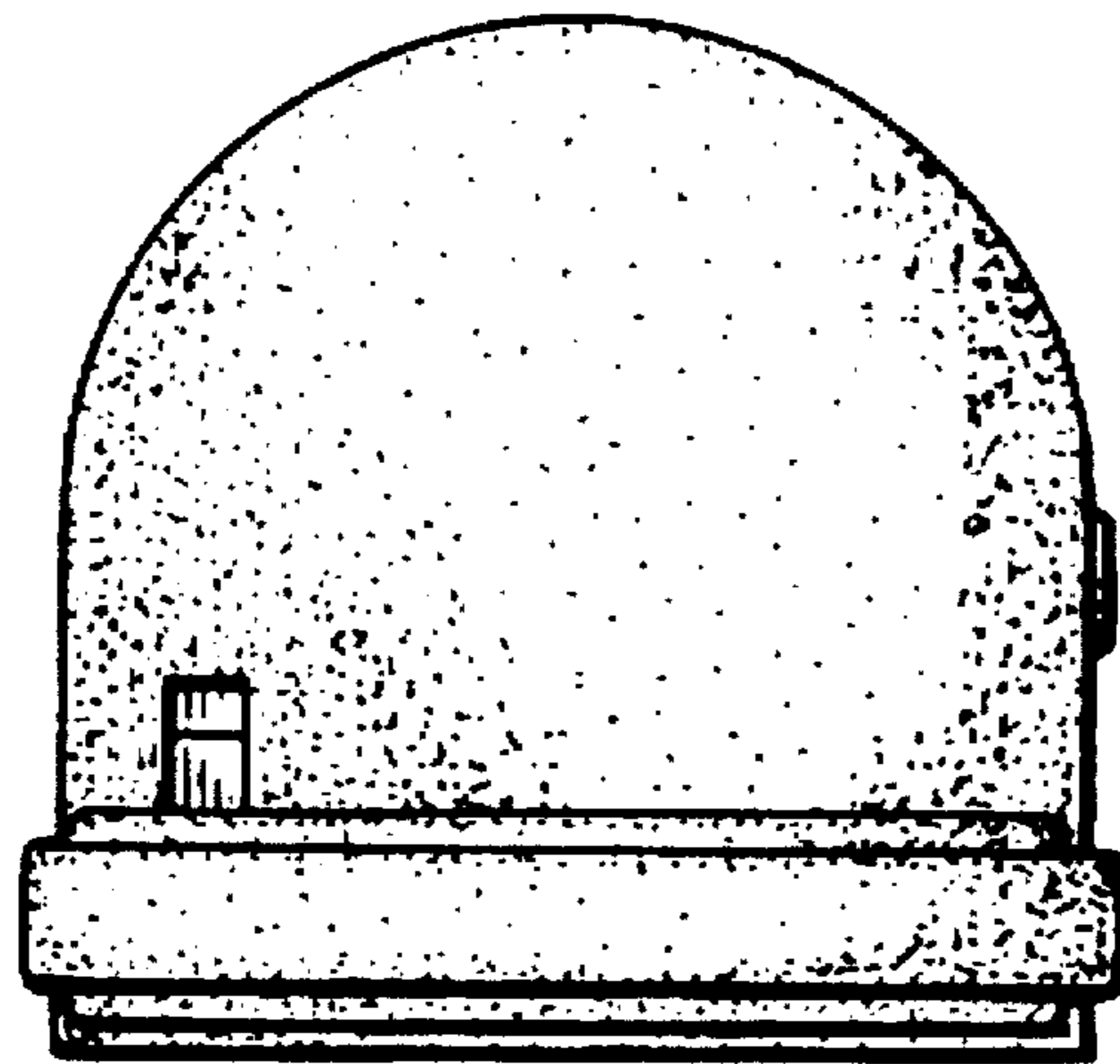


FIG. 4

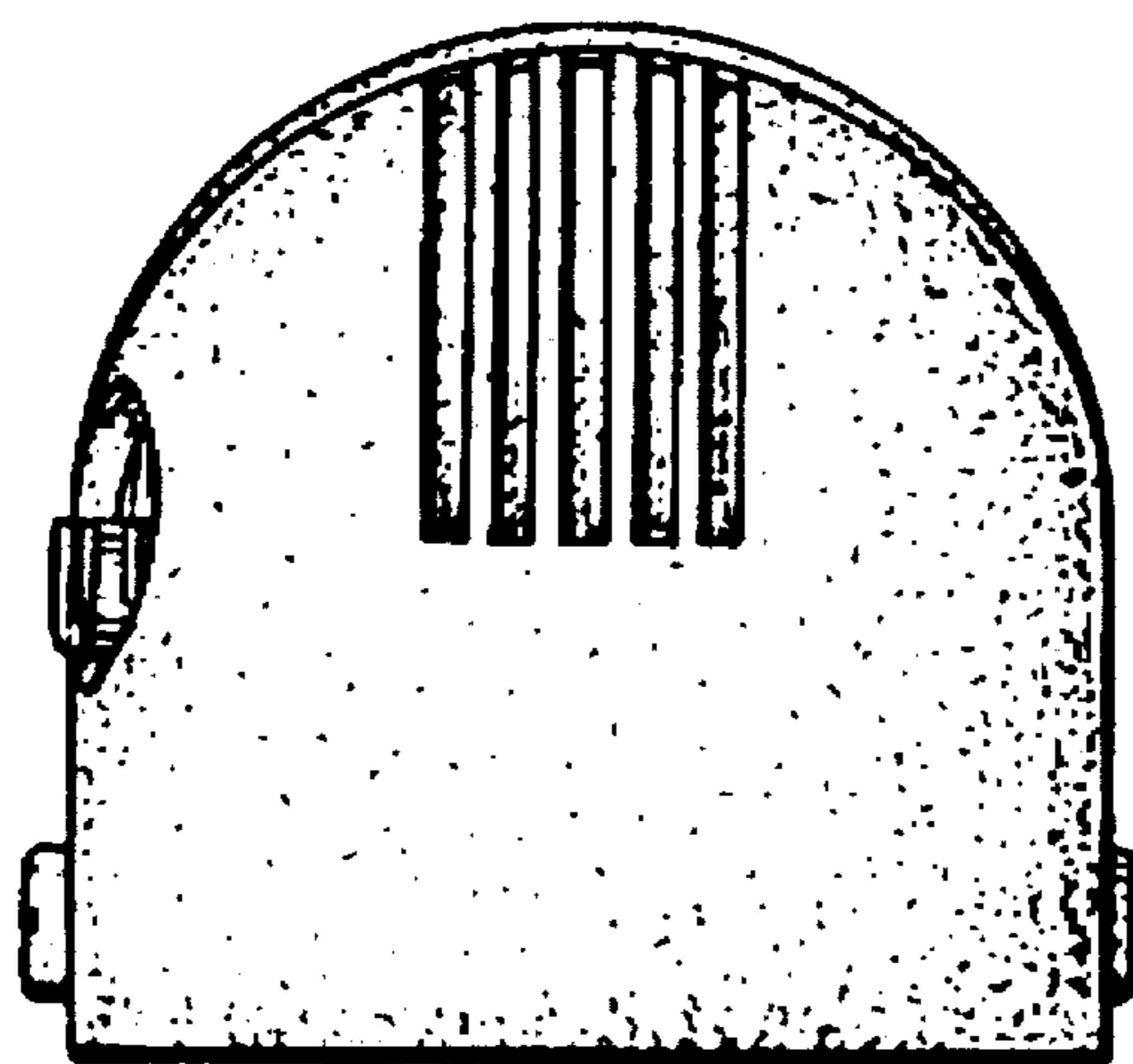


FIG. 5

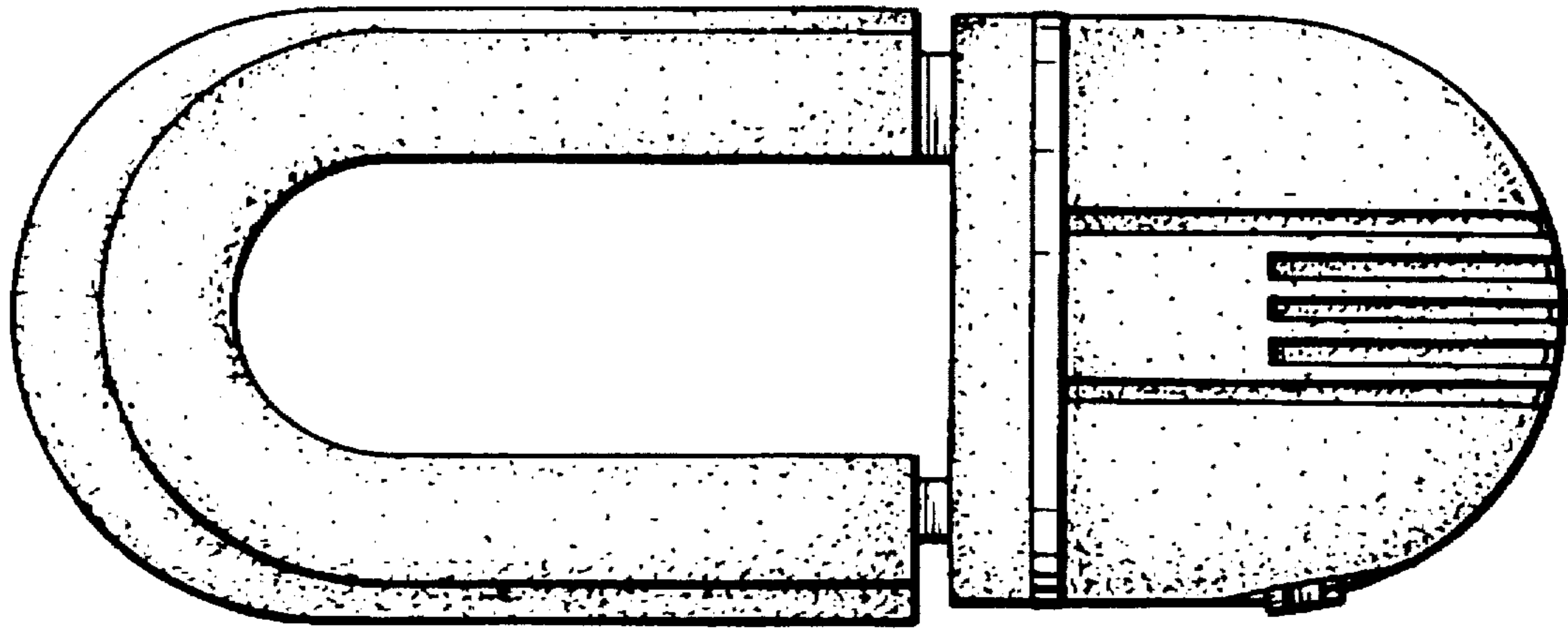


FIG. 6

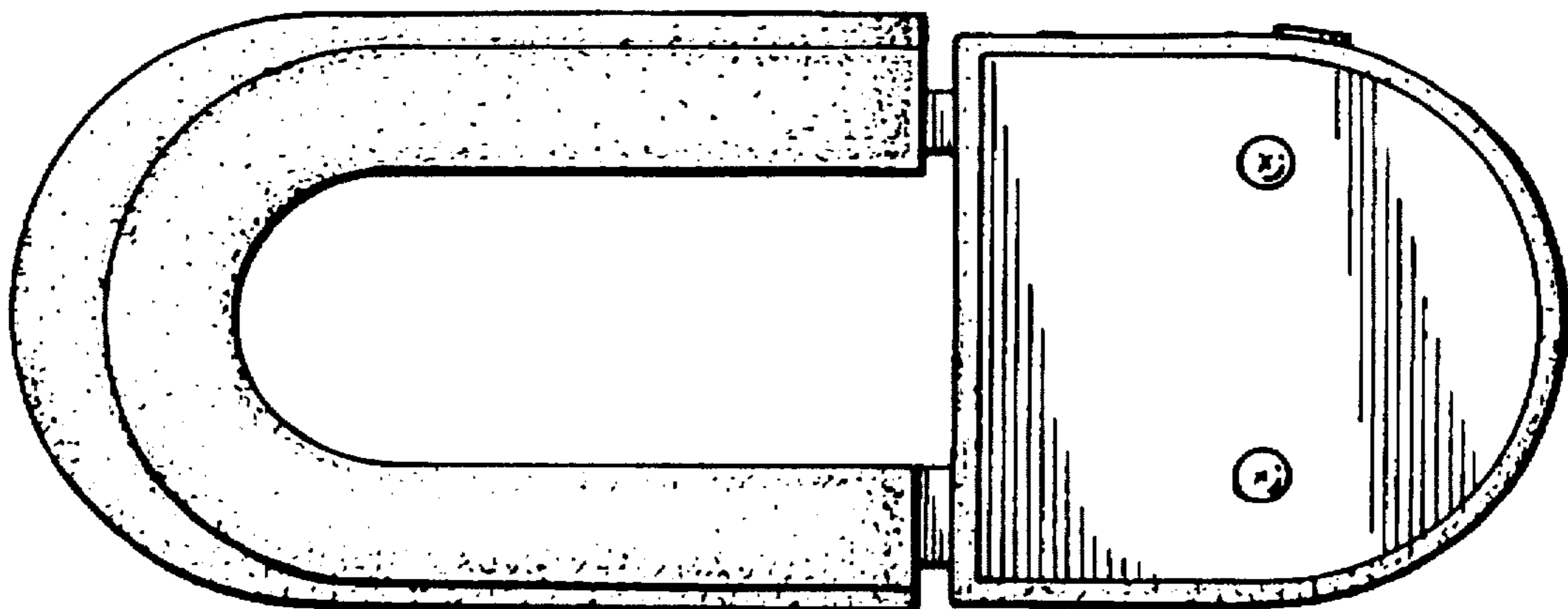


FIG. 7