



US00D386385S

# United States Patent [19]

Hsu

[11] Patent Number: **Des. 386,385**

[45] Date of Patent: **\*\*Nov. 18, 1997**

[54] **LOCK FOR A GEAR SHIFT LEVER**

[75] Inventor: **Yun-Tung Hsu**, Taipei, Taiwan

[73] Assignee: **Ching-Tsai Wang**, Taichung, Taiwan

[\*\*] Term: **14 Years**

[21] Appl. No.: **51,779**

[22] Filed: **Mar. 18, 1996**

[51] LOC (6) Cl. .... **08-07**

[52] U.S. Cl. .... **D8/331**

[58] Field of Search ..... D8/330-331; 70/207-211,  
70/214-215, 225-226, 237-238; 292/238,  
289

[56] **References Cited**

**U.S. PATENT DOCUMENTS**

D. 296,660	7/1988	Preddey	.....	D8/331
D. 316,486	4/1991	Schadner et al.	.....	D8/331
D. 349,033	7/1994	Lu	.....	D8/331
D. 356,937	4/1995	Hisao	.....	D8/333

D. 368,645	4/1996	Chen	.....	D8/331
4,995,250	2/1991	Chiou	.....	70/238
5,325,688	7/1994	Jaw-Jia	.....	70/238 X

*Primary Examiner*—Brian N. Vinson  
*Attorney, Agent, or Firm*—Townsend and Townsend and Crew LLP

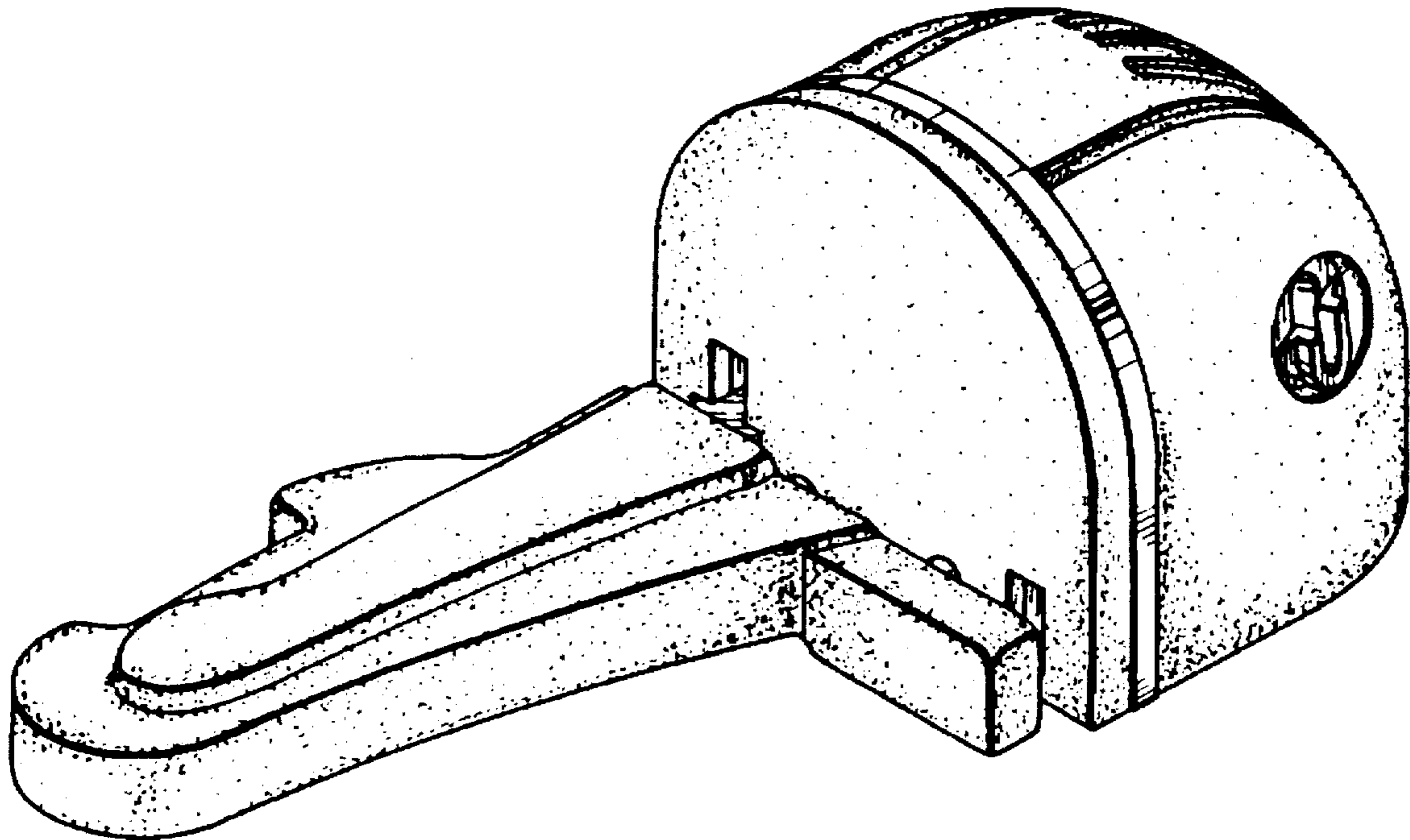
[57] **CLAIM**

The ornamental design for lock for a gear shift lever, as shown and described.

**DESCRIPTION**

FIG. 1 is a perspective view of lock for a gear shift lever showing my new design;  
FIG. 2 is a front elevational view thereof;  
FIG. 3 is a rear elevational view thereof;  
FIG. 4 is a left side elevational view thereof;  
FIG. 5 is a right side elevational view thereof;  
FIG. 6 is a top plan view thereof; and,  
FIG. 7 is a bottom plan view thereof.

**1 Claim, 4 Drawing Sheets**



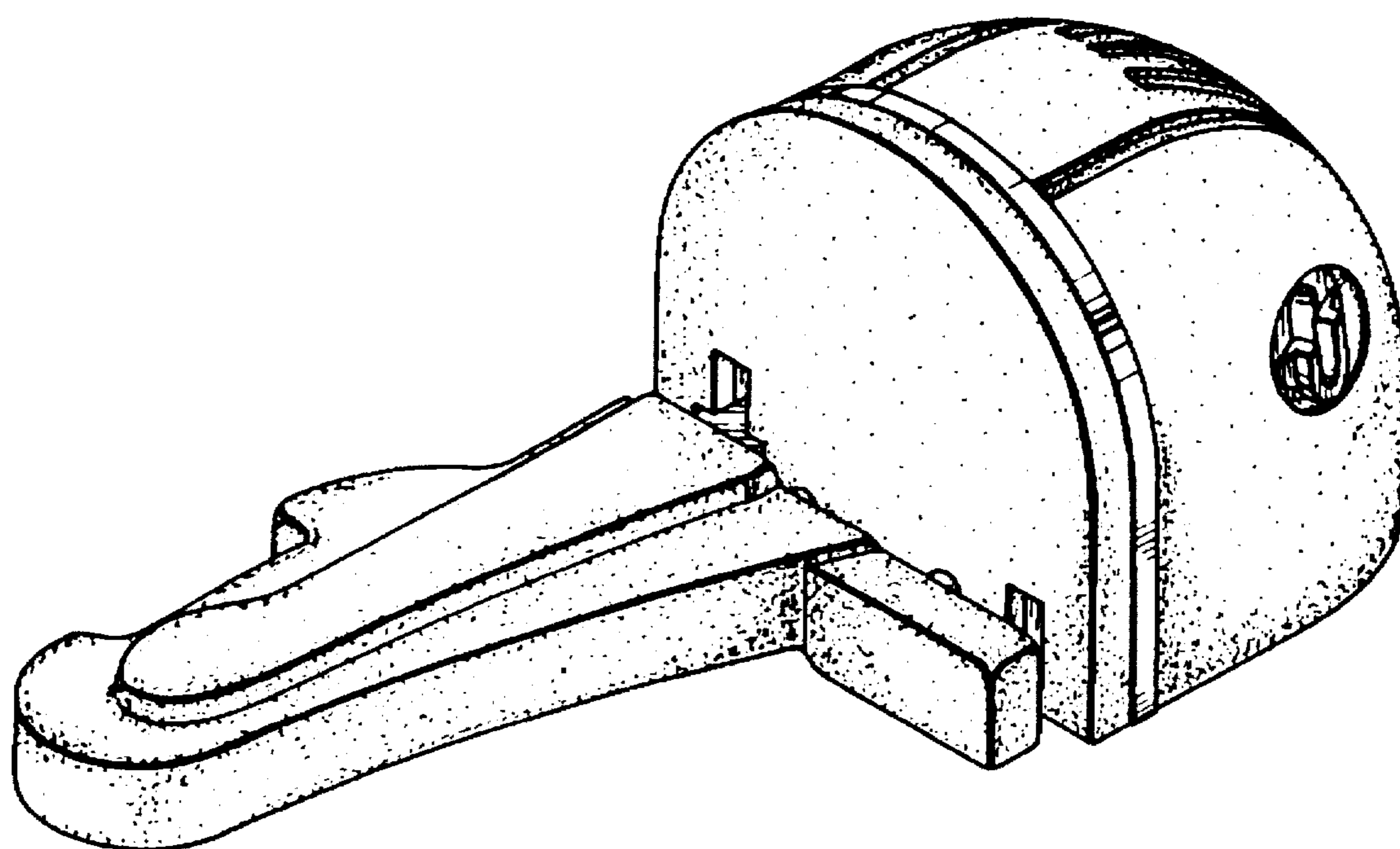


FIG. 1

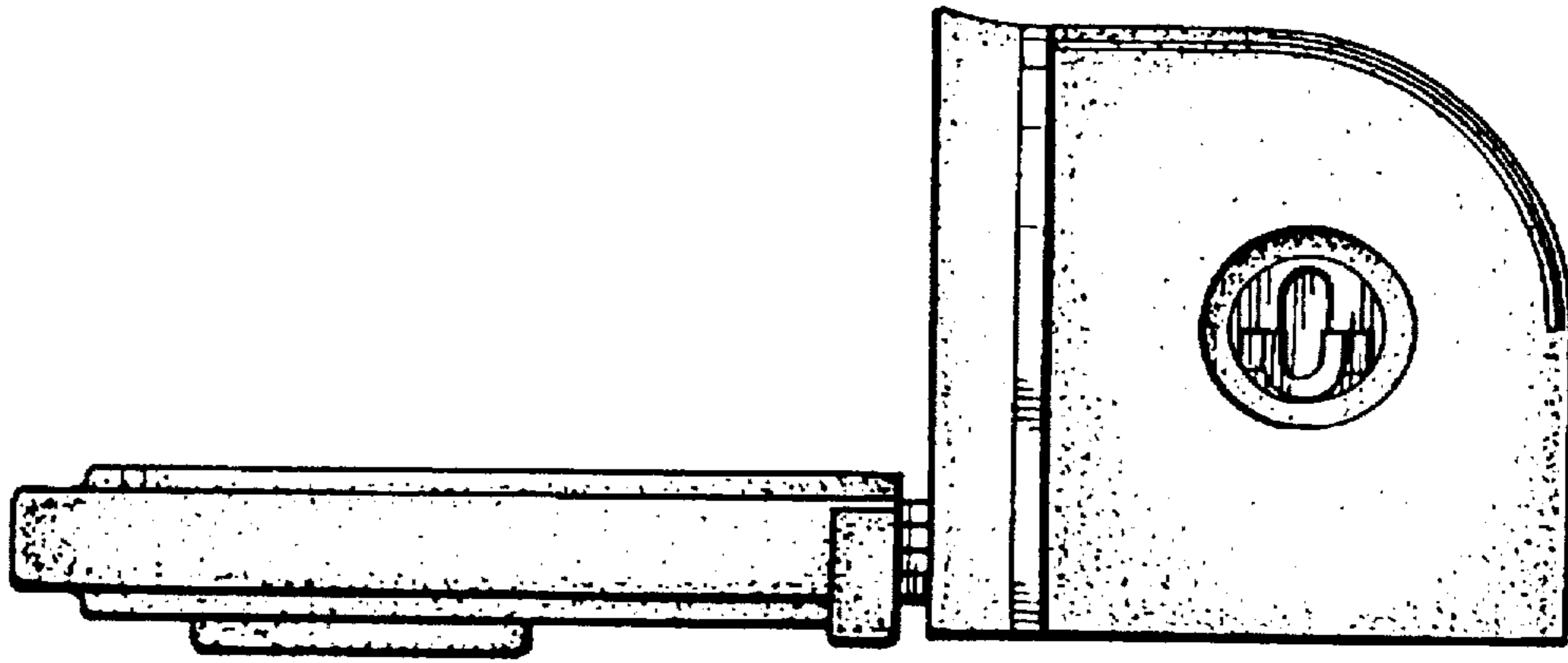


FIG. 2

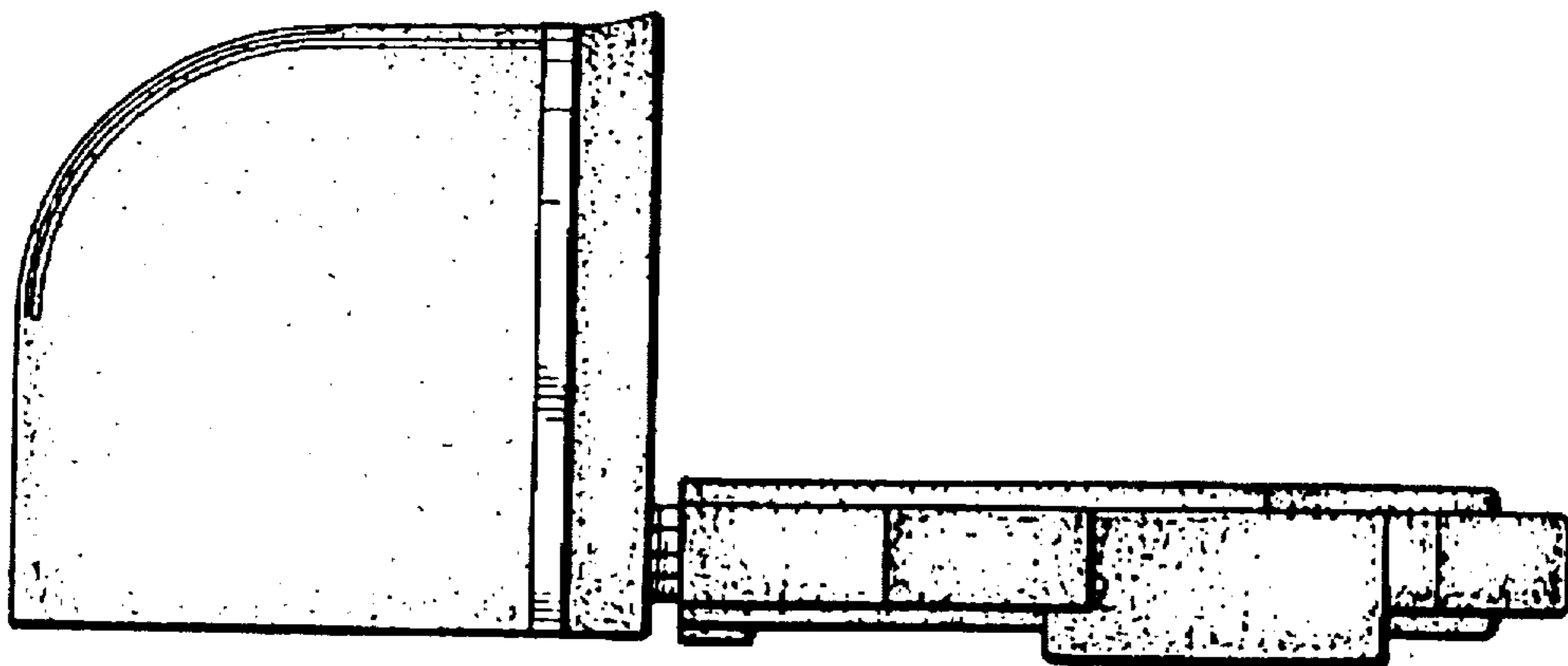


FIG. 3

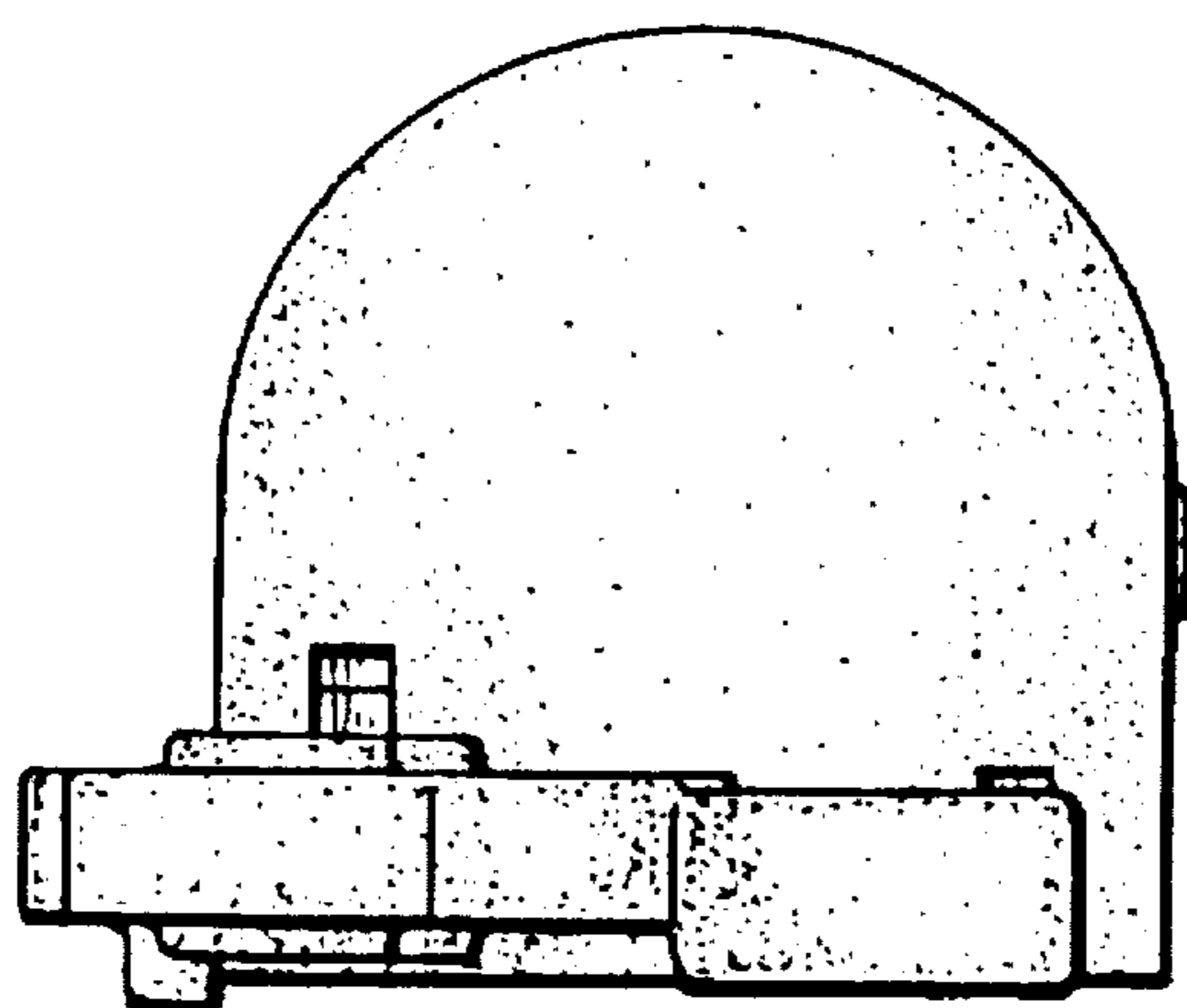


FIG. 4

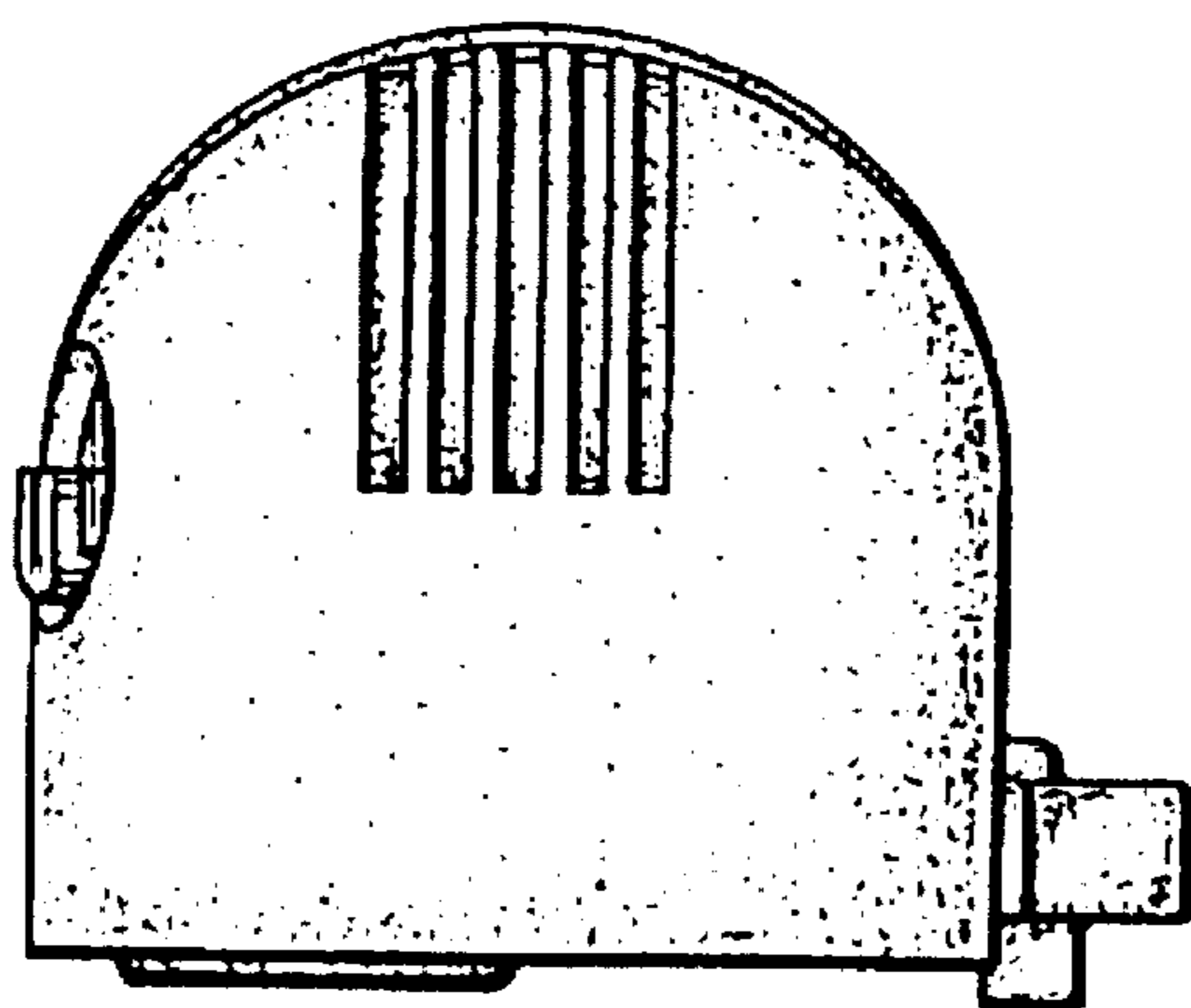


FIG. 5

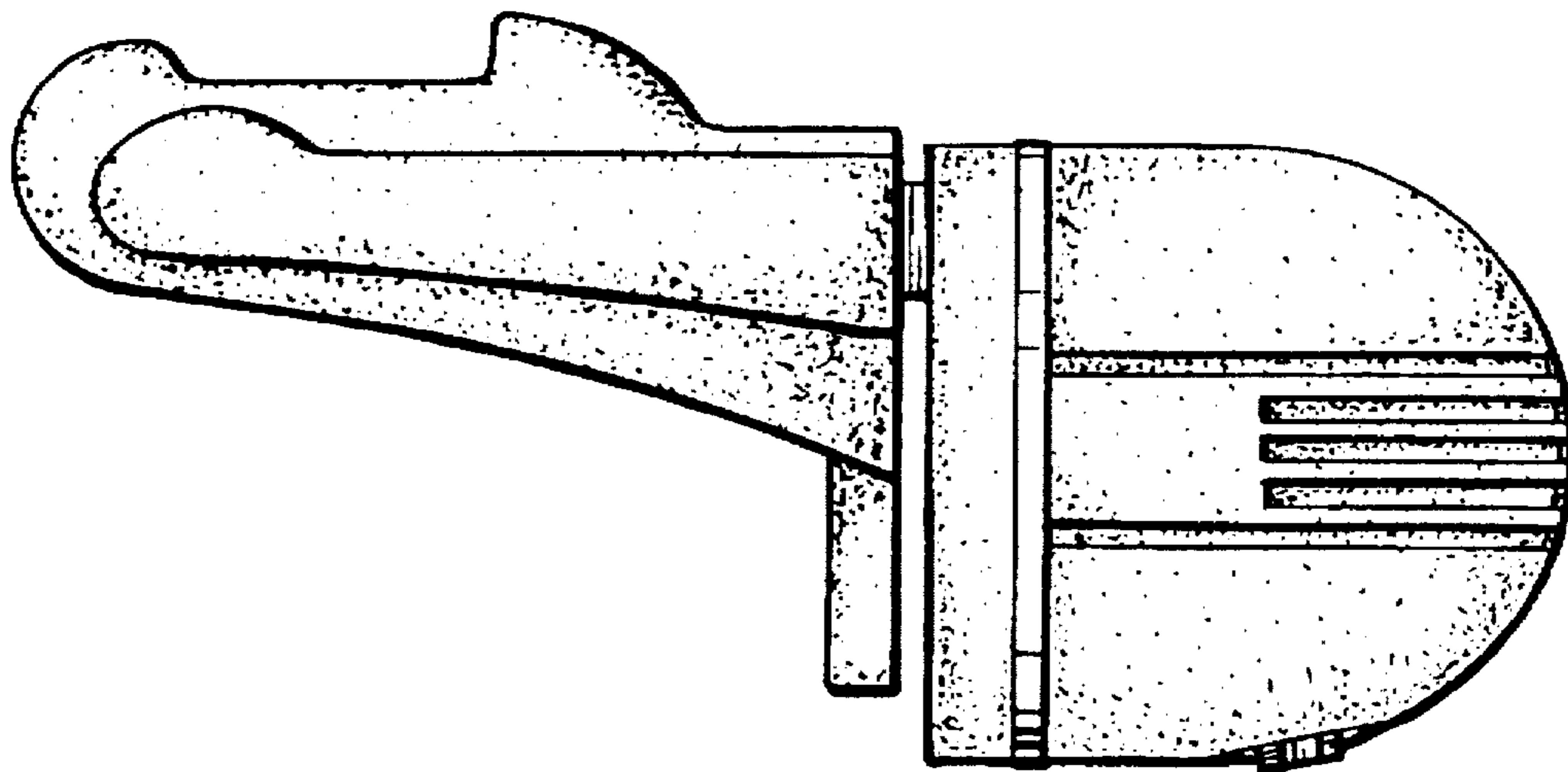


FIG. 6

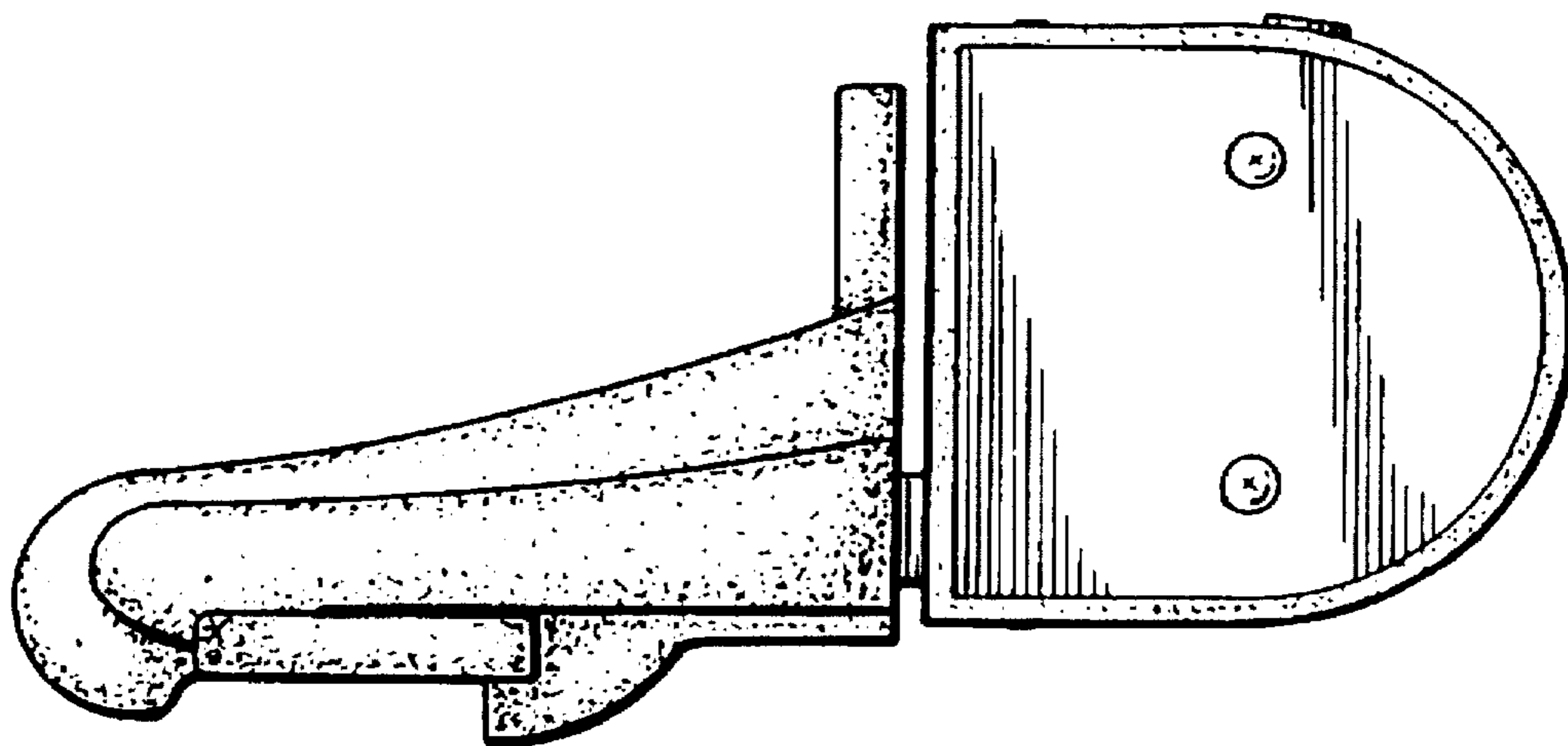


FIG. 7