



US00D386384S

# United States Patent [19]

Rausch et al.

[11] Patent Number: **Des. 386,384**

[45] Date of Patent: **\*\*Nov. 18, 1997**

[54] **LOCK FOR STORAGE CONTAINER**

[75] Inventors: **Kevin Rausch, Wooster; Matthew Williams, North Canton, both of Ohio**

[73] Assignee: **Rubbermaid Specialty Products Inc., Wooster, Ohio**

[\*\*] Term: **14 Years**

[21] Appl. No.: **55,395**

[22] Filed: **Jun. 5, 1996**

[51] LOC (6) Cl. .... **08-07**

[52] U.S. Cl. .... **D8/330**

[58] Field of Search ..... D8/330-331, 336, D8/343-345; 292/202, 203, 204, 205, 300, 281, DIG. 11, DIG. 30

[56] **References Cited**

**U.S. PATENT DOCUMENTS**

D. 319,016	8/1991	Kahl	.....	D9/424
D. 321,091	10/1991	Dickinson	.....	D3/78
D. 329,331	9/1992	Hobson	.....	D3/78
D. 329,747	9/1992	Embree	.....	D3/78
D. 331,859	12/1992	Kahl	.....	D7/393
D. 342,609	12/1993	Brightbill	.....	D3/78
D. 353,048	12/1994	VanSkiver et al.	.....	D3/276
D. 355,118	2/1995	Dickinson et al.	.....	D9/425
D. 355,360	2/1995	Mund et al.	.....	D9/423
D. 358,765	5/1995	Dickinson et al.	.....	D9/425

D. 361,511	8/1995	Dickinson et al.	.....	D9/425
4,746,008	5/1988	Heverly et al.	.....	206/1.5
4,879,889	11/1989	DeForrest, Sr.	.....	292/281 X
4,971,372	11/1990	Gunderson	.....	292/80
5,040,834	8/1991	Kahl et al.	.....	292/204
5,125,697	6/1992	Kahl et al.	.....	292/204
5,202,098	4/1993	Nichols	.....	42/300

**OTHER PUBLICATIONS**

Sell sheet, Lock for storage container; Sterilite Corporation, P.O. Box 524, Townsend, Massachusetts 01469. Publication date 1991.

*Primary Examiner*—Brian N. Vinson  
*Attorney, Agent, or Firm*—Richard B. O’Planick; Lisa B. Riedesel

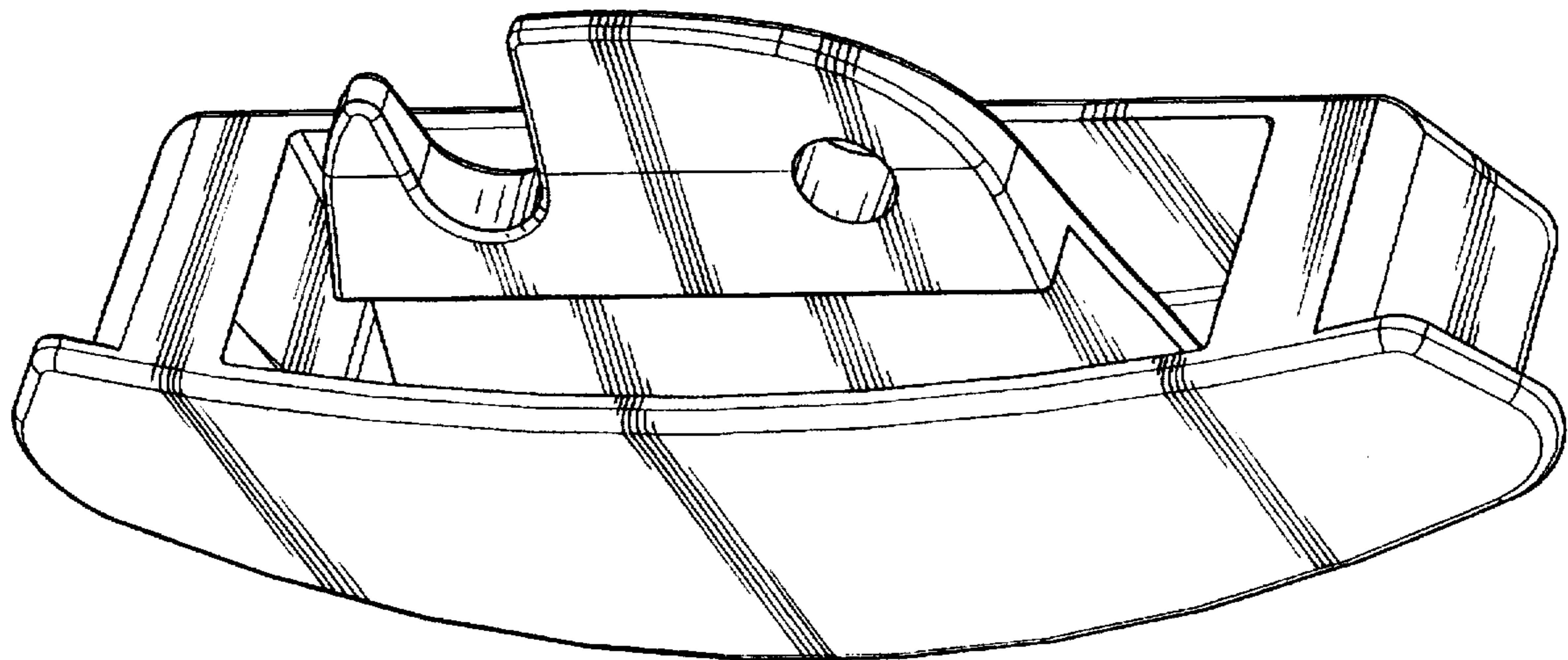
[57] **CLAIM**

The ornamental design for a lock for storage container, as shown and described.

**DESCRIPTION**

FIG. 1 is a top right front perspective view of a lock for storage container showing our new design;  
FIG. 2 is a rear elevational view thereof;  
FIG. 3 is a top plan view thereof;  
FIG. 4 is a left side elevational view thereof;  
FIG. 5 is a right side elevational view thereof; and,  
FIG. 6 is a front elevational view thereof.

**1 Claim, 5 Drawing Sheets**



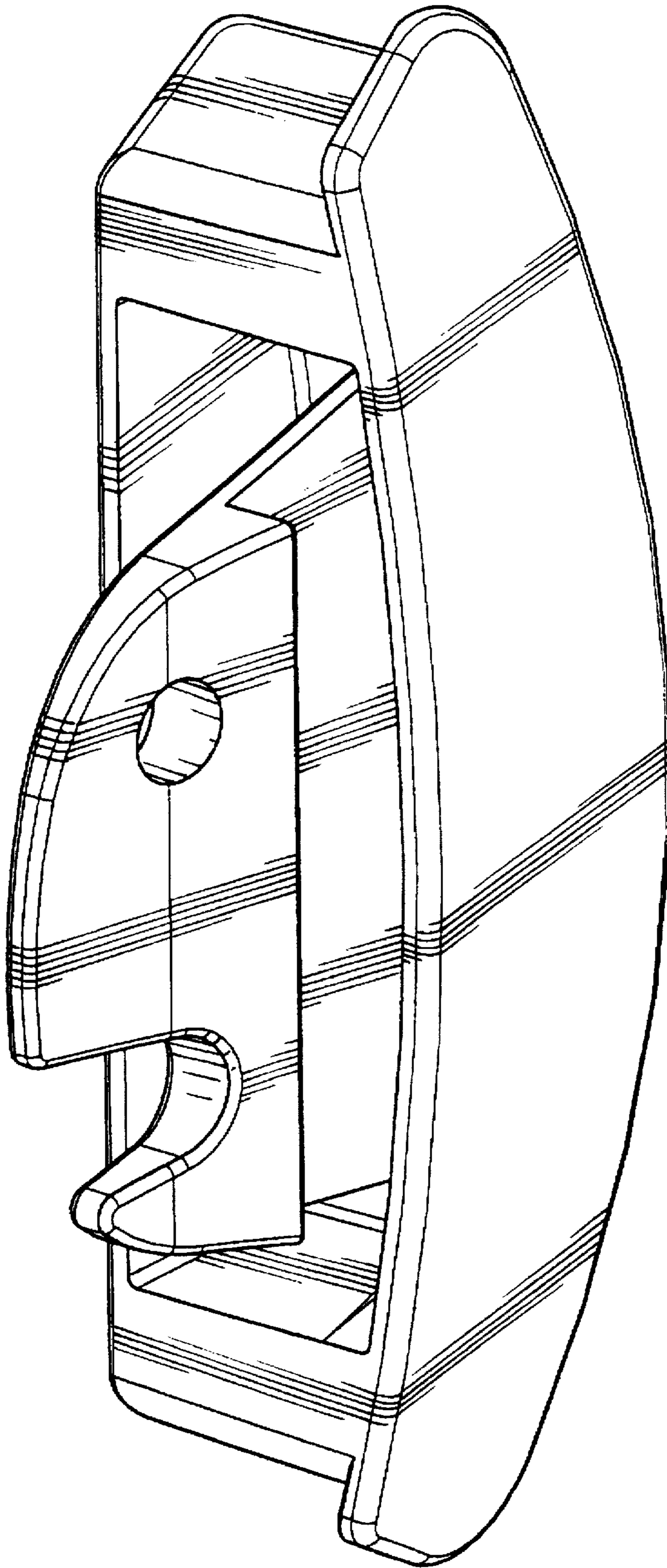


FIG. 1

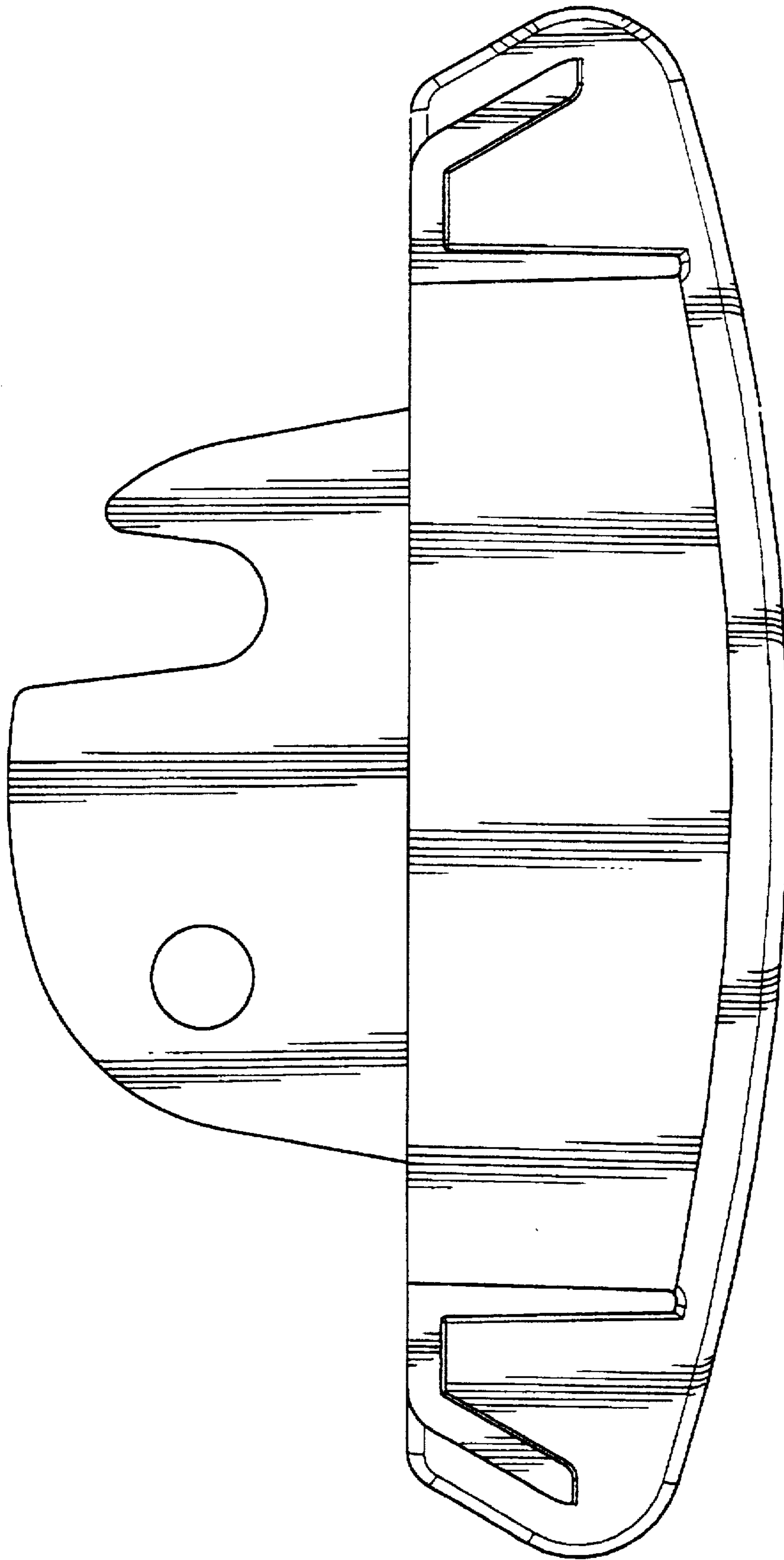


FIG. 2

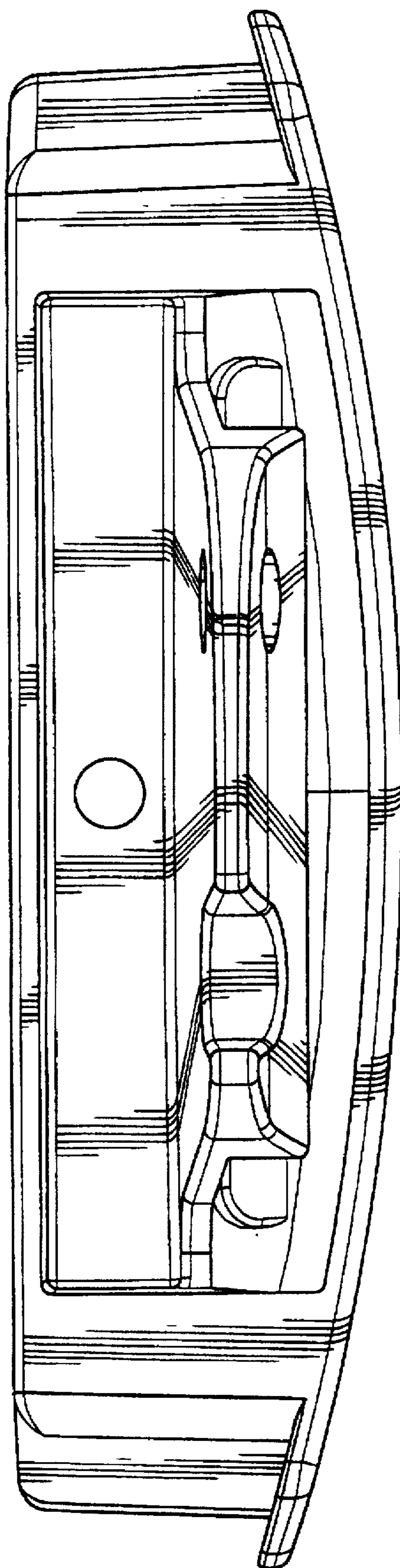


FIG. 3

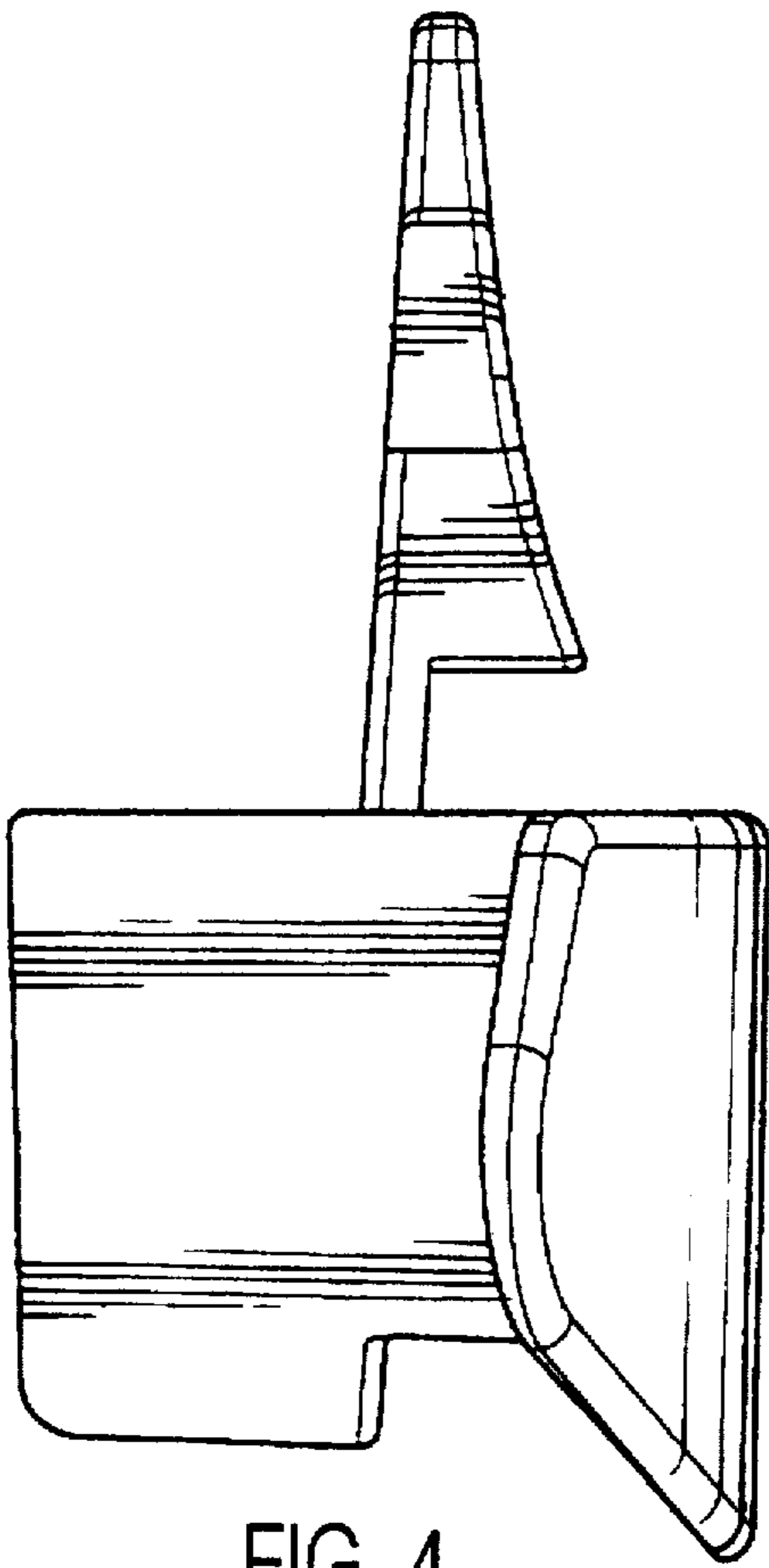


FIG. 4

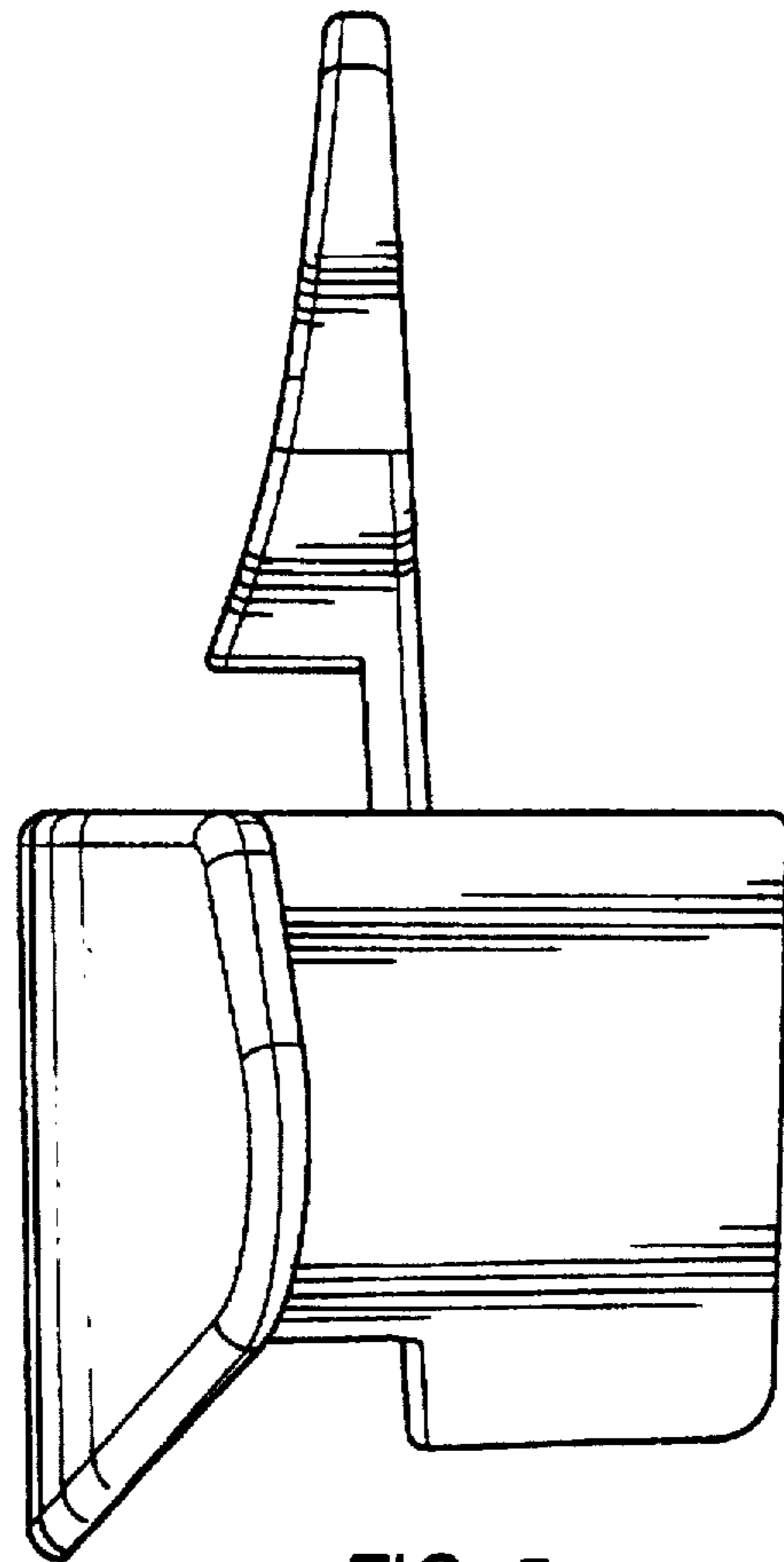


FIG. 5

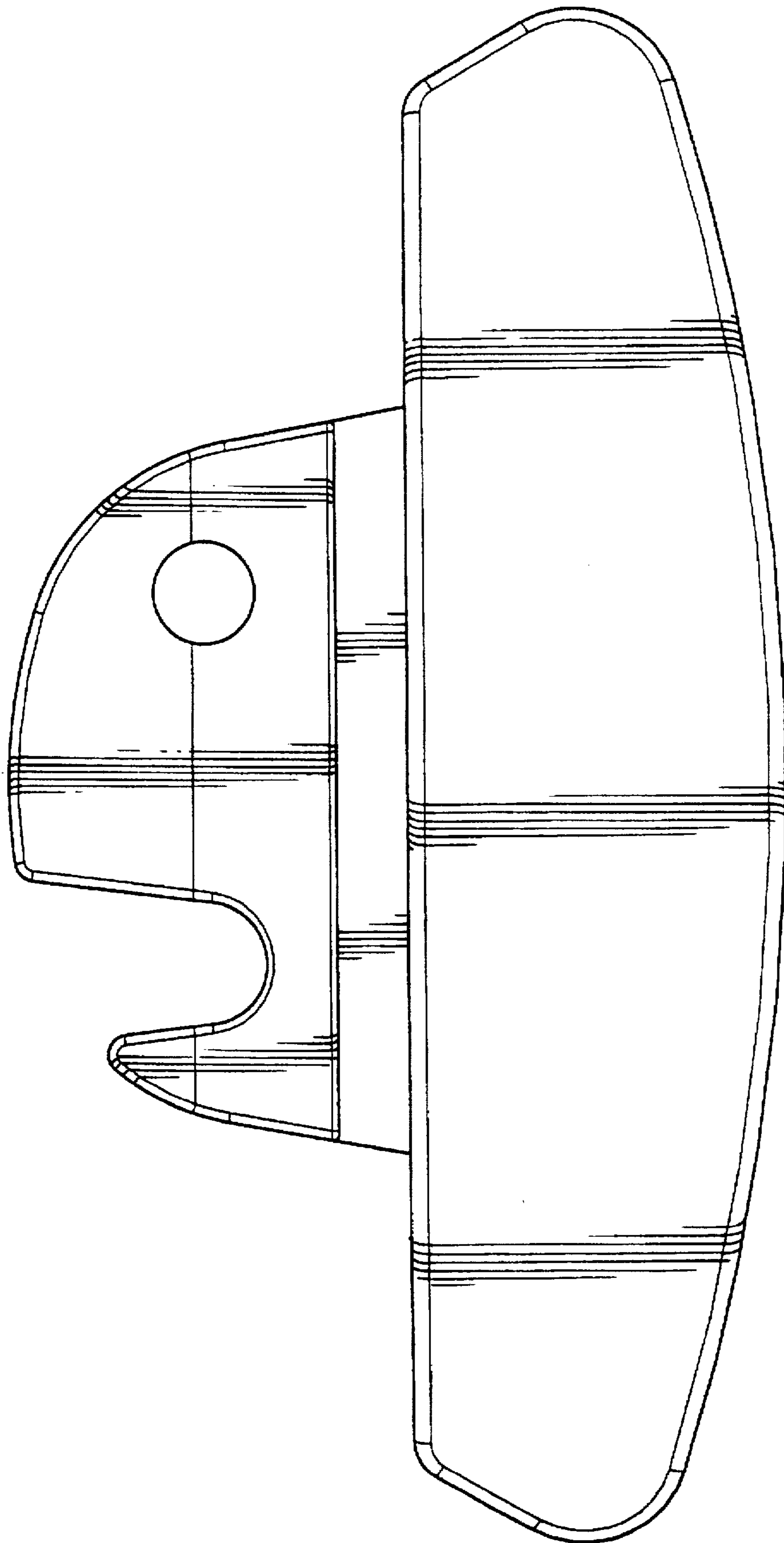


FIG. 6