



US00D386379S

**United States Patent** [19]  
**Kasuya**

[11] **Patent Number: Des. 386,379**  
[45] **Date of Patent: \*\*Nov. 18, 1997**

[54] **PORTABLE ELECTRIC HAMMER**  
[75] **Inventor: Yoshihiro Kasuya, Anjo, Japan**  
[73] **Assignee: Makita Corporation, Anjo, Japan**  
[\*\*] **Term: 14 Years**

D. 378,341 3/1997 Kim ..... D8/69  
5,494,115 2/1996 Hwong ..... 173/13

**FOREIGN PATENT DOCUMENTS**

7-4225 2/1997 Japan .

*Primary Examiner*—Antoine Duval Davis  
*Attorney, Agent, or Firm*—Lahive & Cockfield, LLP

[21] **Appl. No.: 58,622**  
[22] **Filed: Aug. 14, 1996**  
[30] **Foreign Application Priority Data**

[57] **CLAIM**

The ornamental design for a portable electric hammer, as shown and described.

Feb. 20, 1996 [JP] Japan ..... 8-4456

**DESCRIPTION**

[51] **LOC (6) Cl. .... 08-01**  
[52] **U.S. Cl. .... D8/69**  
[58] **Field of Search .... D8/69; 81/57.11,**  
81/57.13, 57.14, 57.29, 464, 469; 173/13,  
48, 169, 170, 212

FIG. 1 is a perspective view of a portable electric hammer showing my new design;  
FIG. 2 is a left side elevational view thereof;  
FIG. 3 is a right side elevational view thereof;  
FIG. 4 is a front elevational view thereof;  
FIG. 5 is a rear side elevational view thereof;  
FIG. 6 is top plan view thereof; and,  
FIG. 7 is bottom plan view thereof.

[56] **References Cited**  
**U.S. PATENT DOCUMENTS**

D. 349,029 7/1994 Matsunaga et al. .... D8/69  
D. 361,252 8/1995 De Neergaard et al. .... D8/69

**1 Claim, 5 Drawing Sheets**

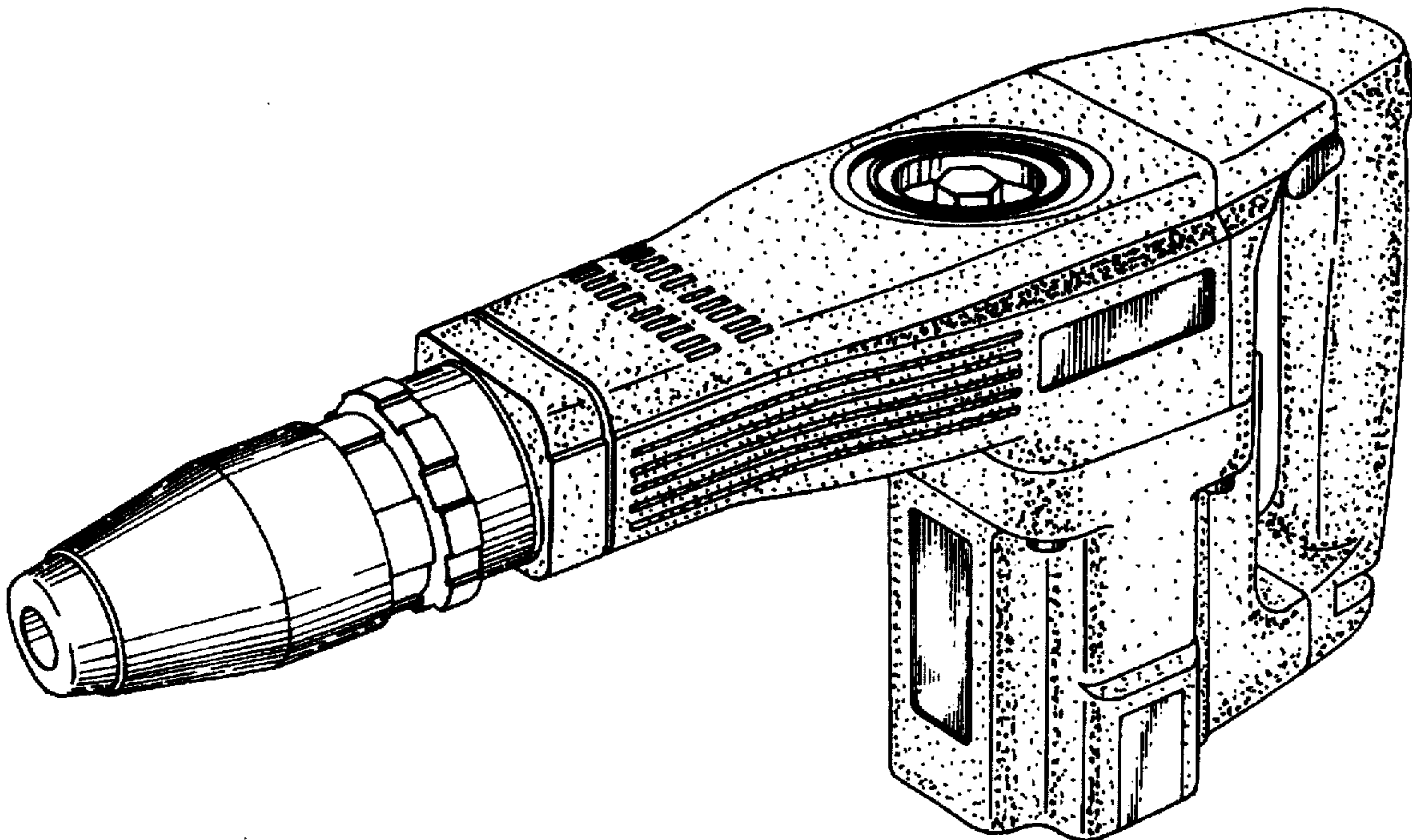


FIG. 1

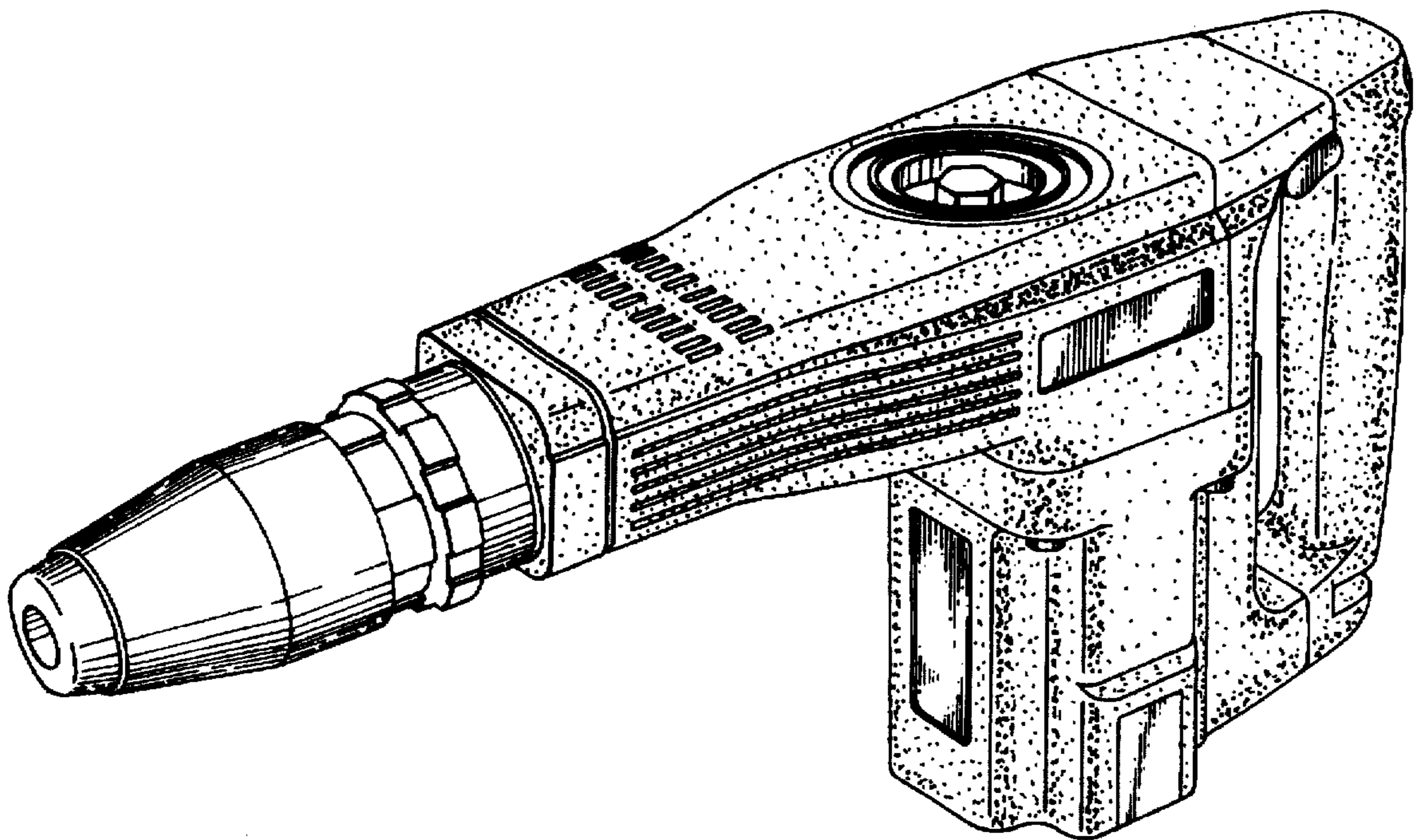


FIG. 2

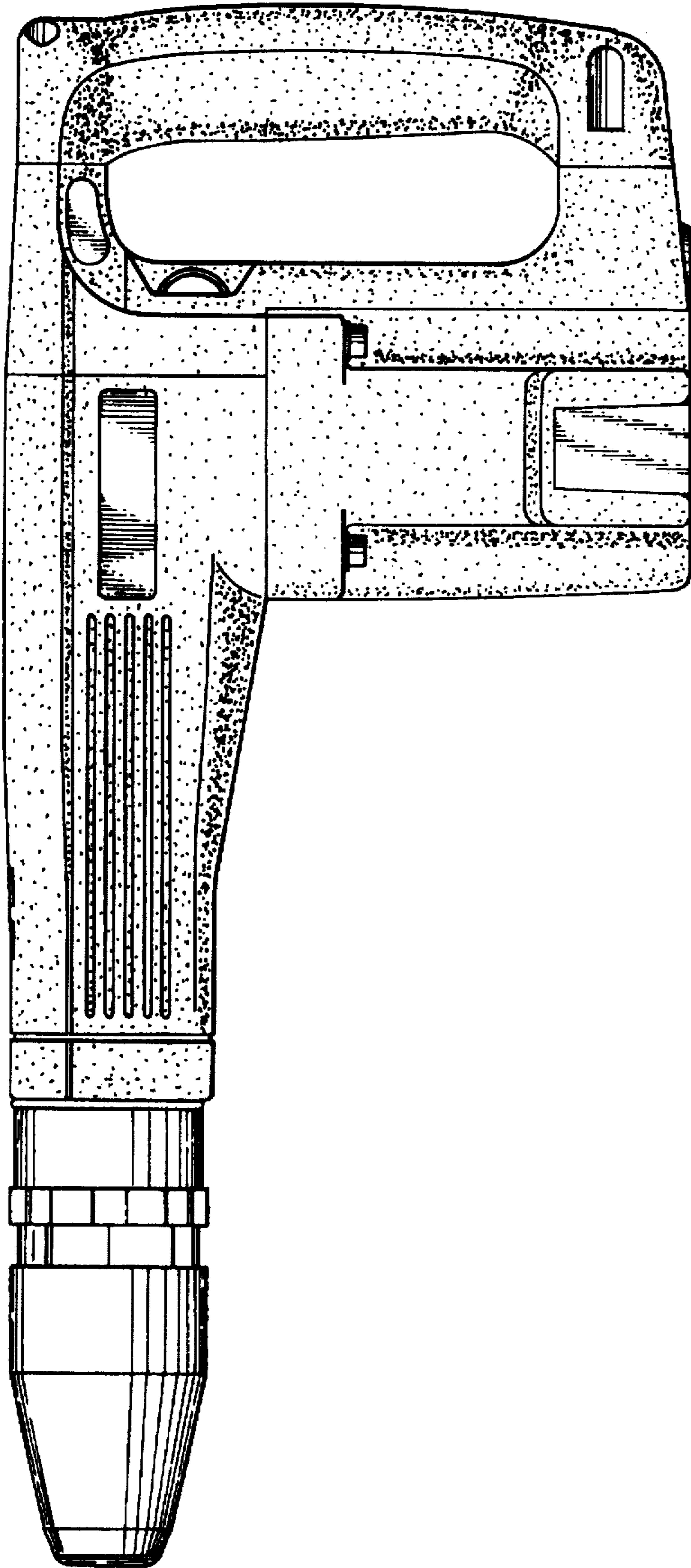


FIG. 3

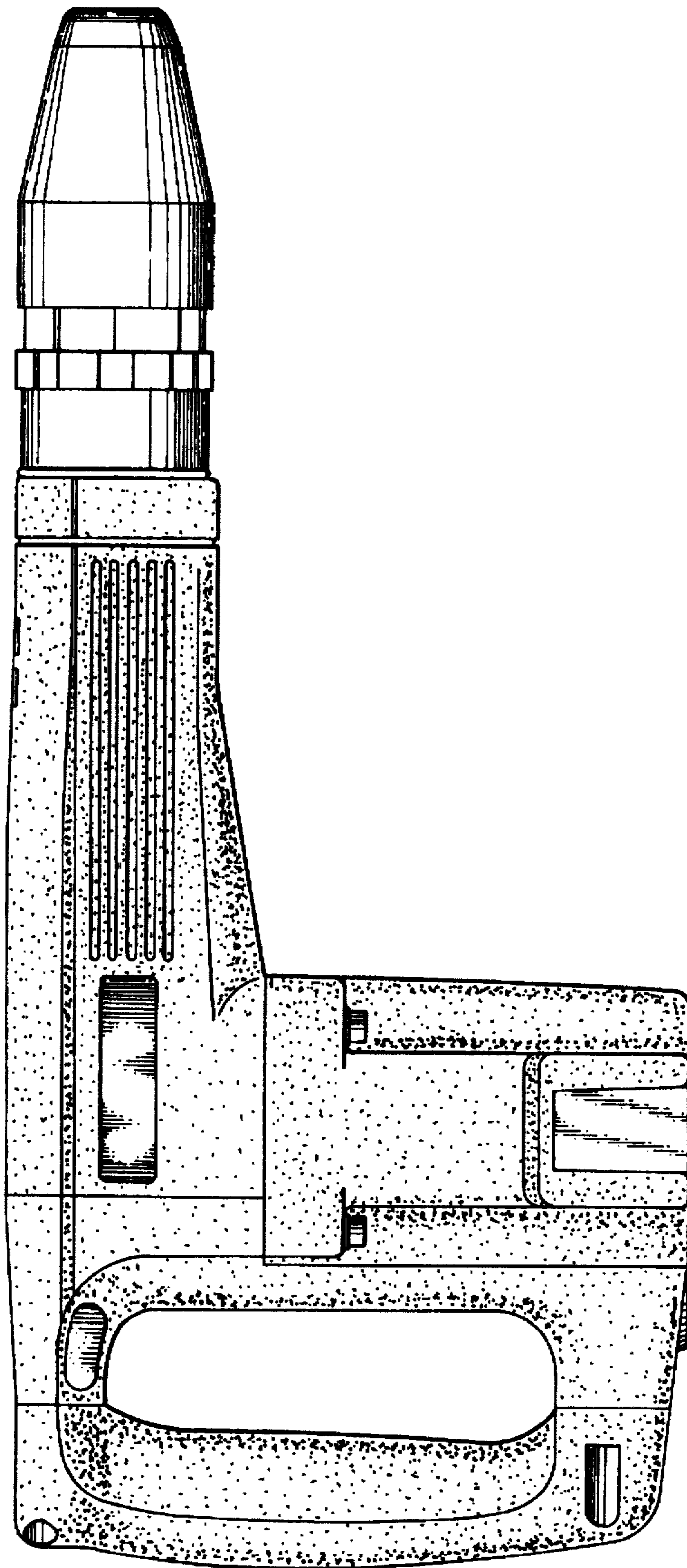


FIG. 4

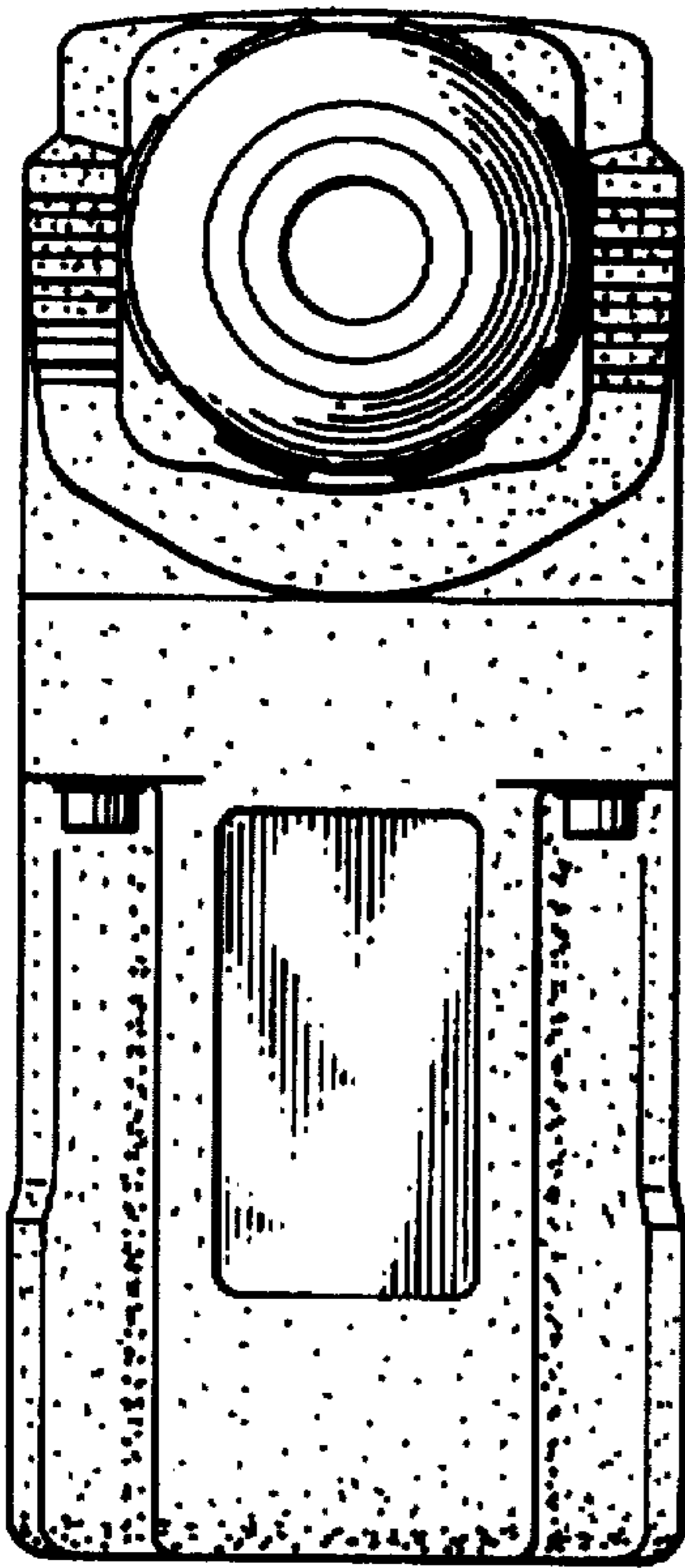


FIG. 5

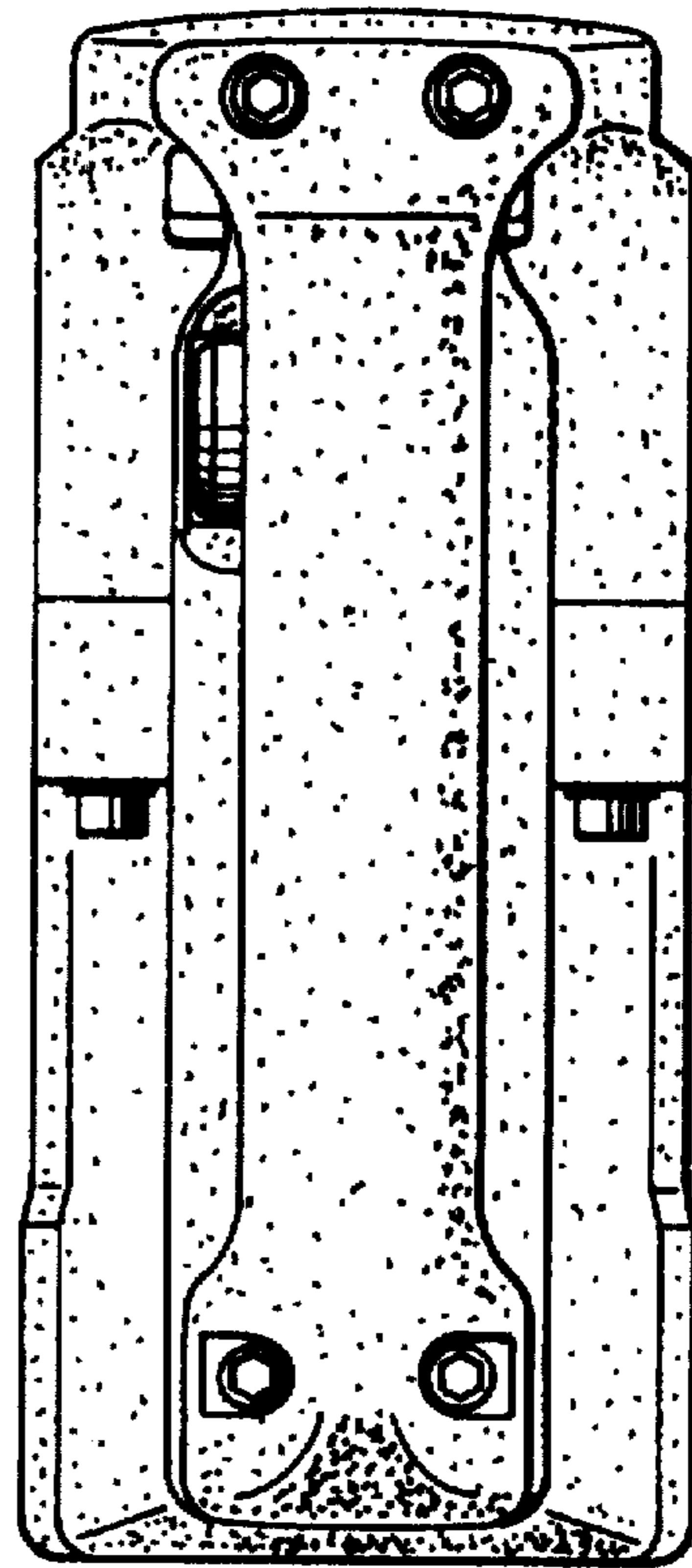


FIG. 6

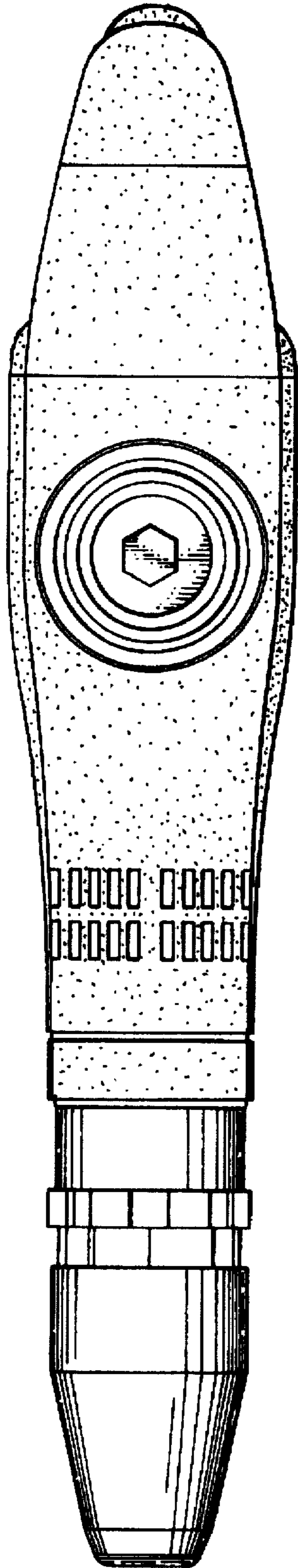


FIG. 7

