

US00D386378S

United States Patent [19]
Henssler et al.

[11] **Patent Number:** **Des. 386,378**
[45] **Date of Patent:** ****Nov. 18, 1997**

- [54] **TRIANGLE GRINDER**
- [75] Inventors: **Heinrich Henssler; Martin Schultheiss**, both of Schwäbisch Gmünd, Germany
- [73] Assignee: **C. & E. Fein GmbH & Co.**, Stuttgart, Germany
- [**] Term: **14 Years**
- [21] Appl. No.: **58,888**
- [22] Filed: **Aug. 27, 1996**
- [30] **Foreign Application Priority Data**
Mar. 1, 1996 [DE] Germany M96019468
- [51] LOC (6) Cl. **08-01**
- [52] U.S. Cl. **D8/62**
- [58] Field of Search D8/62; 451/344, 451/356, 357, 359, 414, 456, 162, 163
- [56] **References Cited**

- D. 347,153 5/1994 Uneyama D8/62
- D. 366,406 1/1996 Kikuchi D8/62
- D. 374,386 10/1996 Bosten et al. D8/62

Primary Examiner—Antoine Duval Davis
Attorney, Agent, or Firm—Cummings & Lockwood

[57] **CLAIM**

The ornamental design for a triangle grinder, as shown and described.

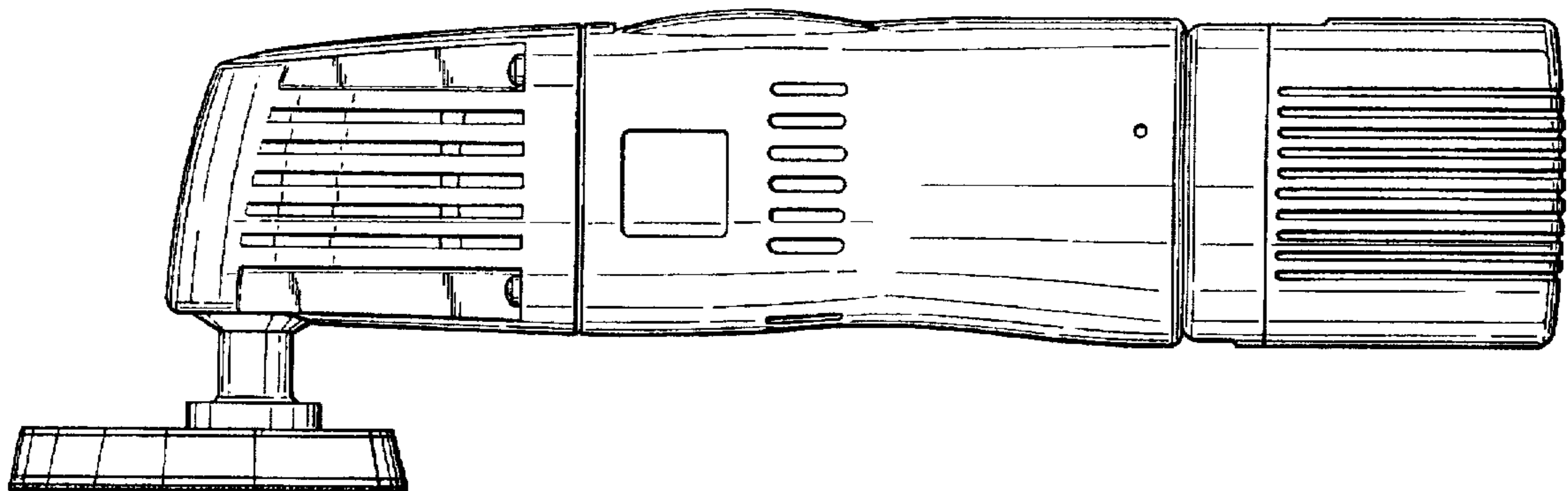
DESCRIPTION

- FIG. 1 is a left side elevational view thereof;
- FIG. 2 is a bottom plan view thereof;
- FIG. 3 is a top plan view thereof;
- FIG. 4 is right side elevational view thereof;
- FIG. 5 is a front elevational view thereof; and,
- FIG. 6 is a rear elevational view thereof.

U.S. PATENT DOCUMENTS

- D. 343,104 1/1994 Hoshino D8/62

1 Claim, 3 Drawing Sheets



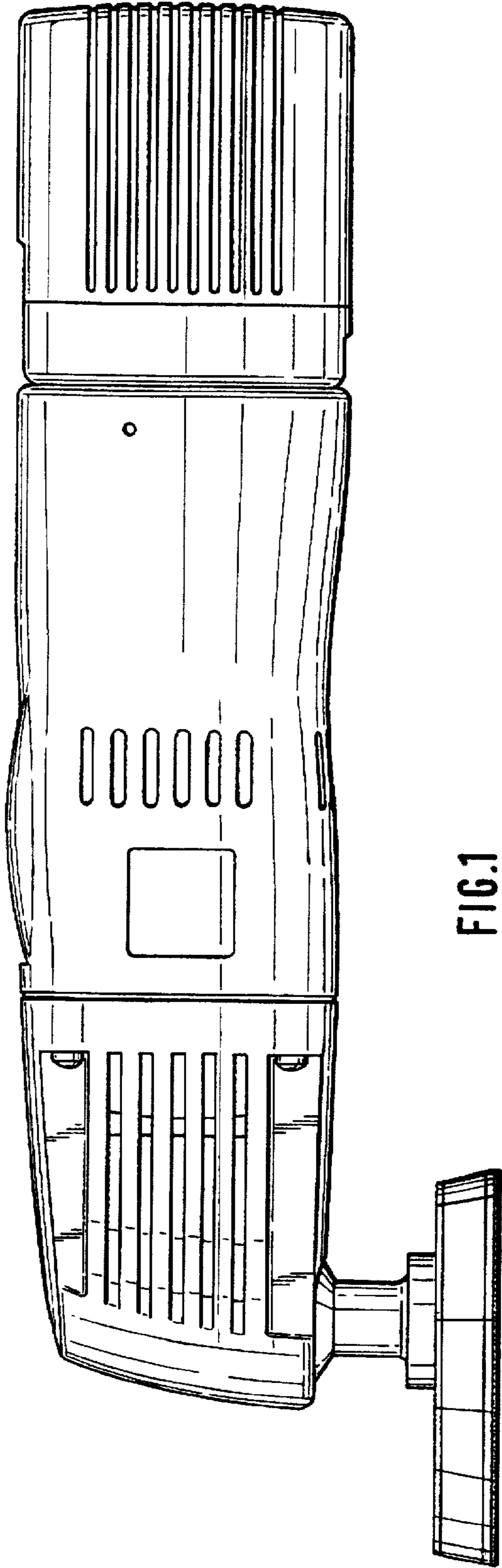


FIG. 1

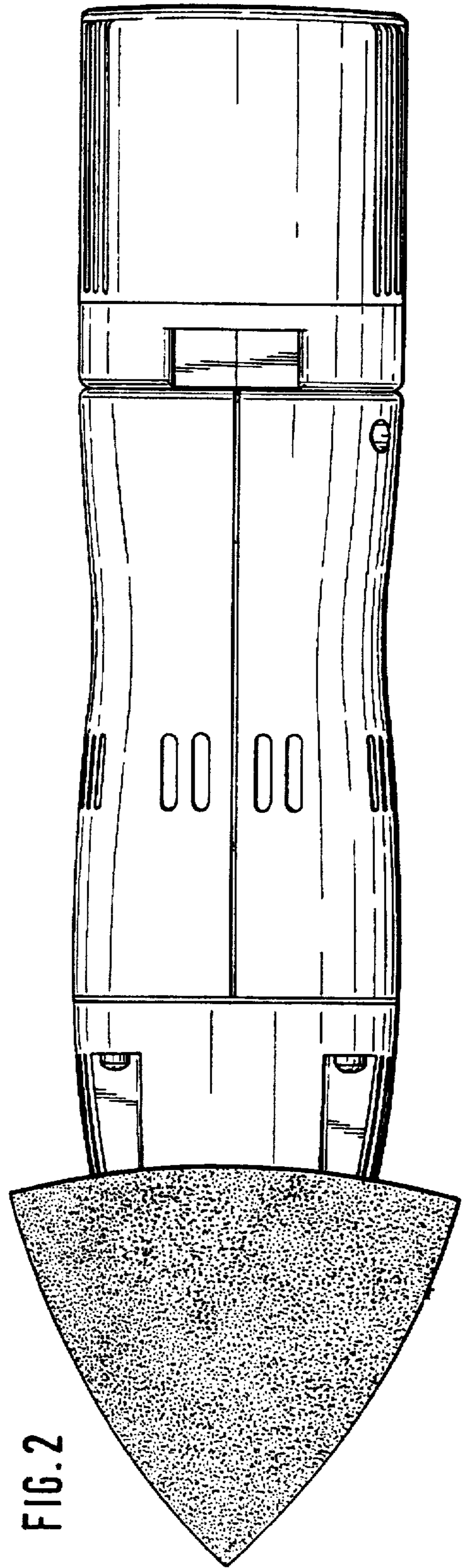


FIG. 2

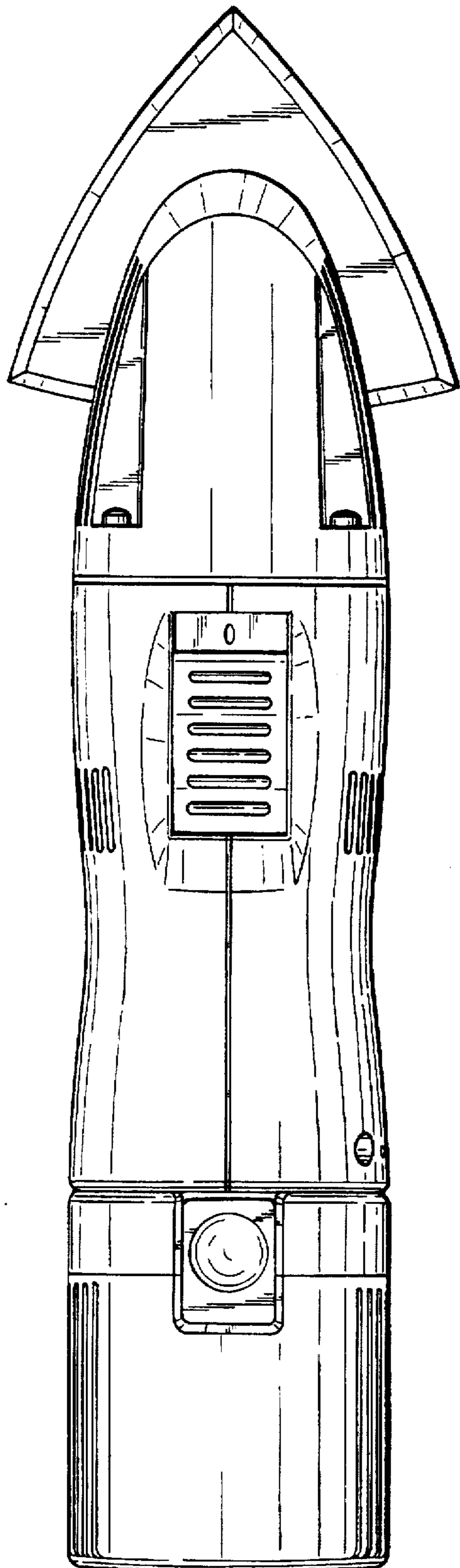


FIG. 3

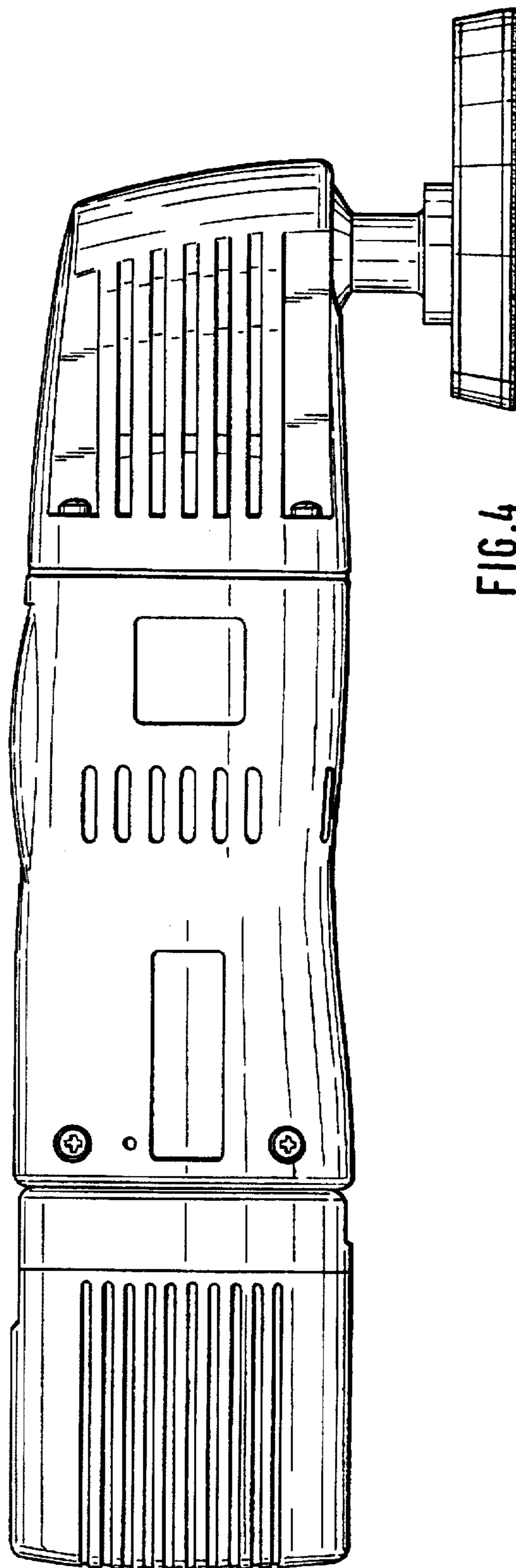


FIG. 4

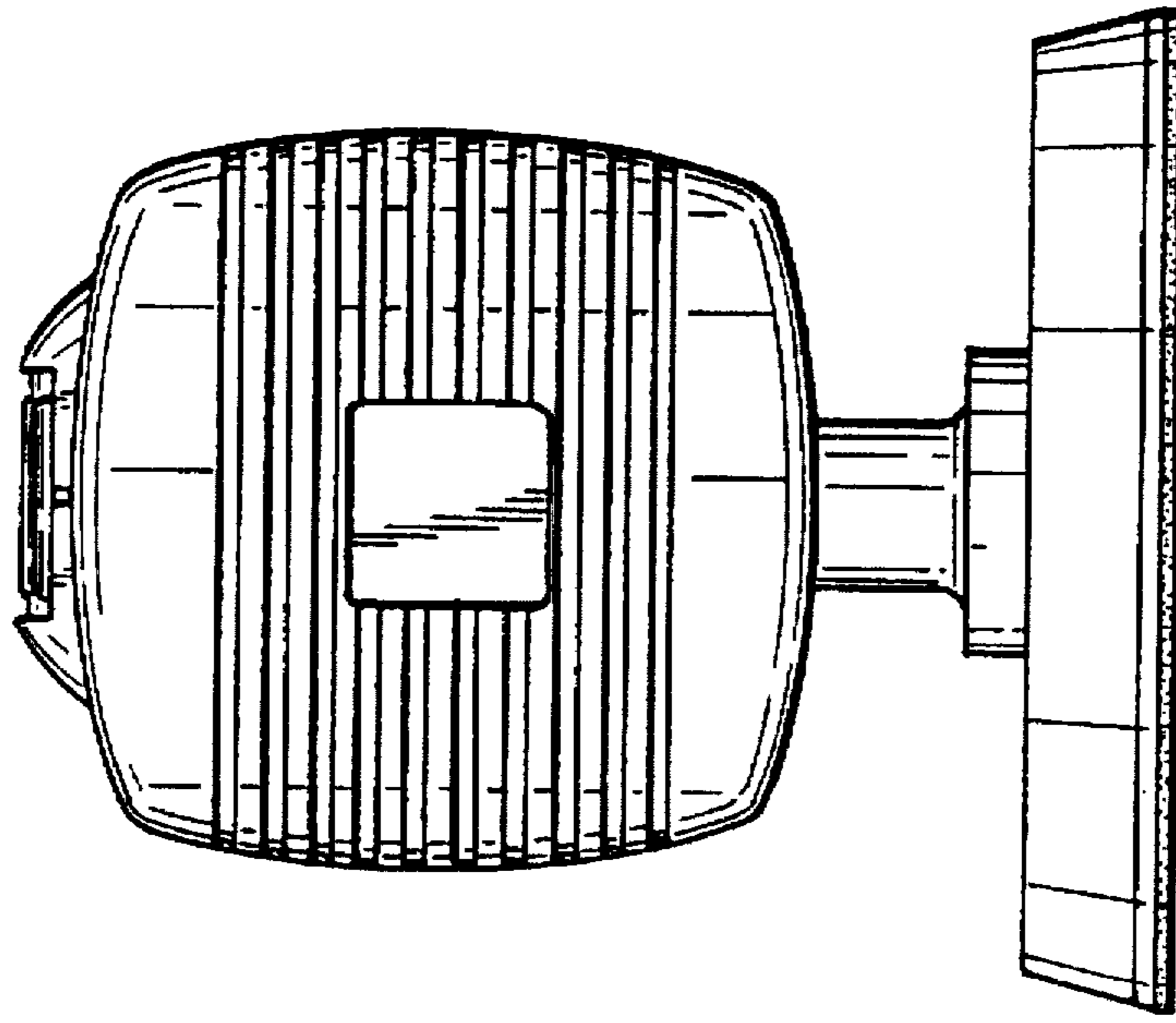


FIG. 5

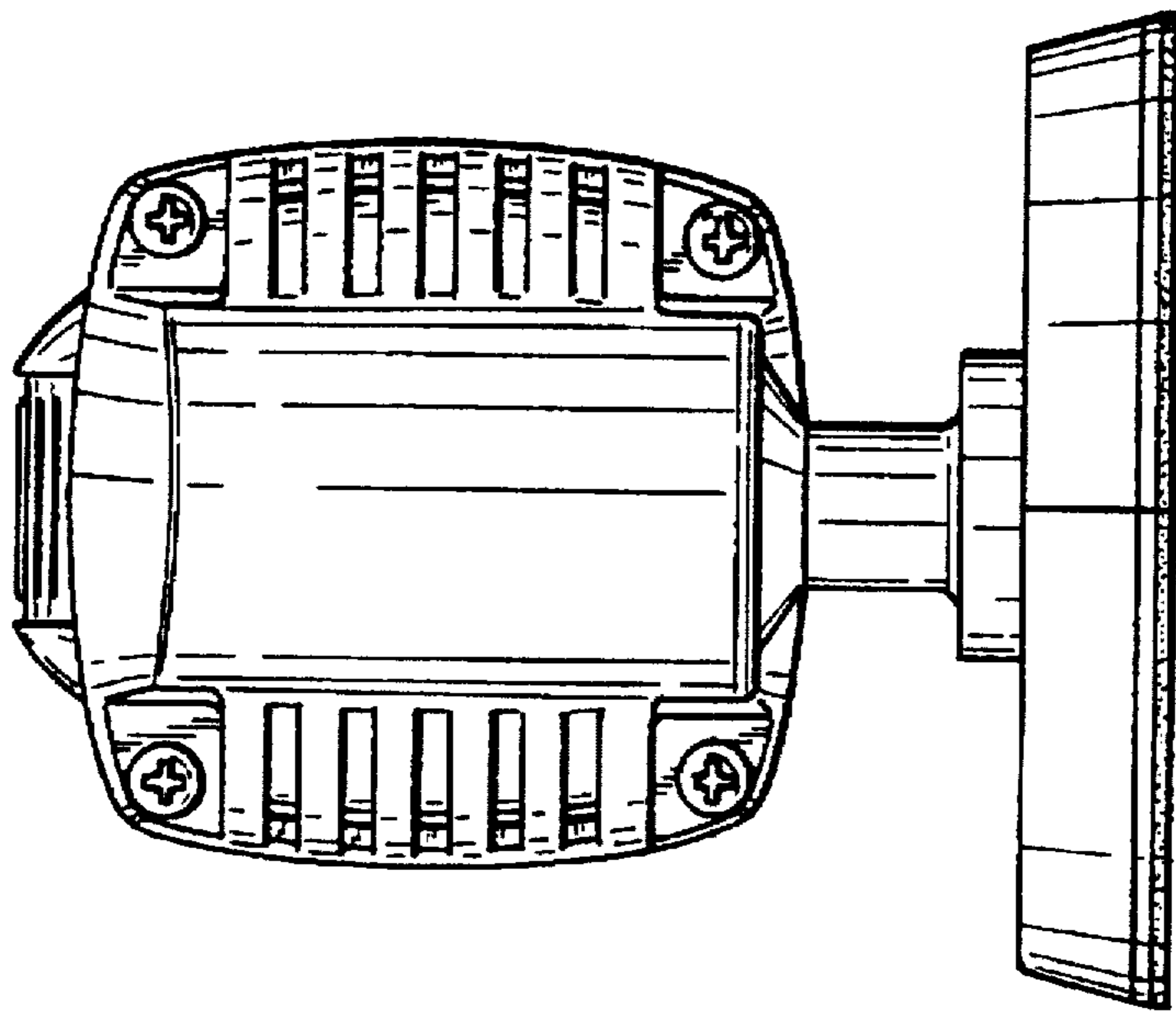


FIG. 6