



US00D386377S

# United States Patent [19] Sung

[11] Patent Number: **Des. 386,377**

[45] Date of Patent: **\*\*Nov. 18, 1997**

[54] SANDER

4,622,782	11/1986	Roestenberg .....	451/456
4,686,797	8/1987	Hoffman .....	451/356
4,879,847	11/1989	Butzen et al. ....	451/344

[75] Inventor: **Eric Sung, Ta-Li, Taiwan**

[73] Assignee: **K.K.U. Limited, Japan**

[\*\*] Term: **14 Years**

[21] Appl. No.: **43,730**

[22] Filed: **Sep. 11, 1995**

[51] LOC (6) Cl. .... **08-05**

[52] U.S. Cl. .... **D8/62**

[58] Field of Search ..... D8/61, 62, 68;  
D15/124; 81/54, 57.11, 57.13, 57.14; 173/170;  
408/124, 125; 451/344, 356, 357, 359,  
414, 456

[56] **References Cited**

**U.S. PATENT DOCUMENTS**

- |            |         |                  |         |
|------------|---------|------------------|---------|
| D. 256,881 | 9/1980  | Hutchins .       |         |
| D. 260,847 | 9/1981  | Biederman .....  | D8/62   |
| D. 324,800 | 3/1992  | Butzen et al. .  |         |
| D. 332,559 | 1/1993  | Miyoshi et al. . |         |
| D. 353,310 | 12/1994 | Izumisawa .      |         |
| D. 353,311 | 12/1994 | Izumisawa .      |         |
| D. 357,163 | 4/1995  | Izumisawa .      |         |
| 3,287,859  | 11/1966 | Leveque .....    | 451/359 |
| 3,546,822  | 12/1970 | Hutchins .....   | 451/344 |
| 3,857,206  | 12/1974 | Heffran .        |         |
| 4,102,083  | 7/1978  | Stem .....       | 451/344 |

**OTHER PUBLICATIONS**

ASH High Speed Vertical Rotary Sander PXD-106, ASH Mail Order Catalog No. 32, ©1981.

Black & Decker® Random Orbit Sander No. 4415, Campbell Industrial Supply Co. General Catalog.

*Automotive Power Tools*, Ingersoll-Rand Catalog, 1992, p. 34.

*Automotive Air Tools*, Chicago Pneumatic Catalog, Mar. 1990, p. 36.

*Primary Examiner*—James M. Gandy

*Assistant Examiner*—Robert Spear

*Attorney, Agent, or Firm*—Greer, Burns & Crain, Ltd.

[57] **CLAIM**

The ornamental design for a sander, as shown and described.

**DESCRIPTION**

FIG. 1 is a left-side view of the sander showing my new design;

FIG. 2 is a top view thereof;

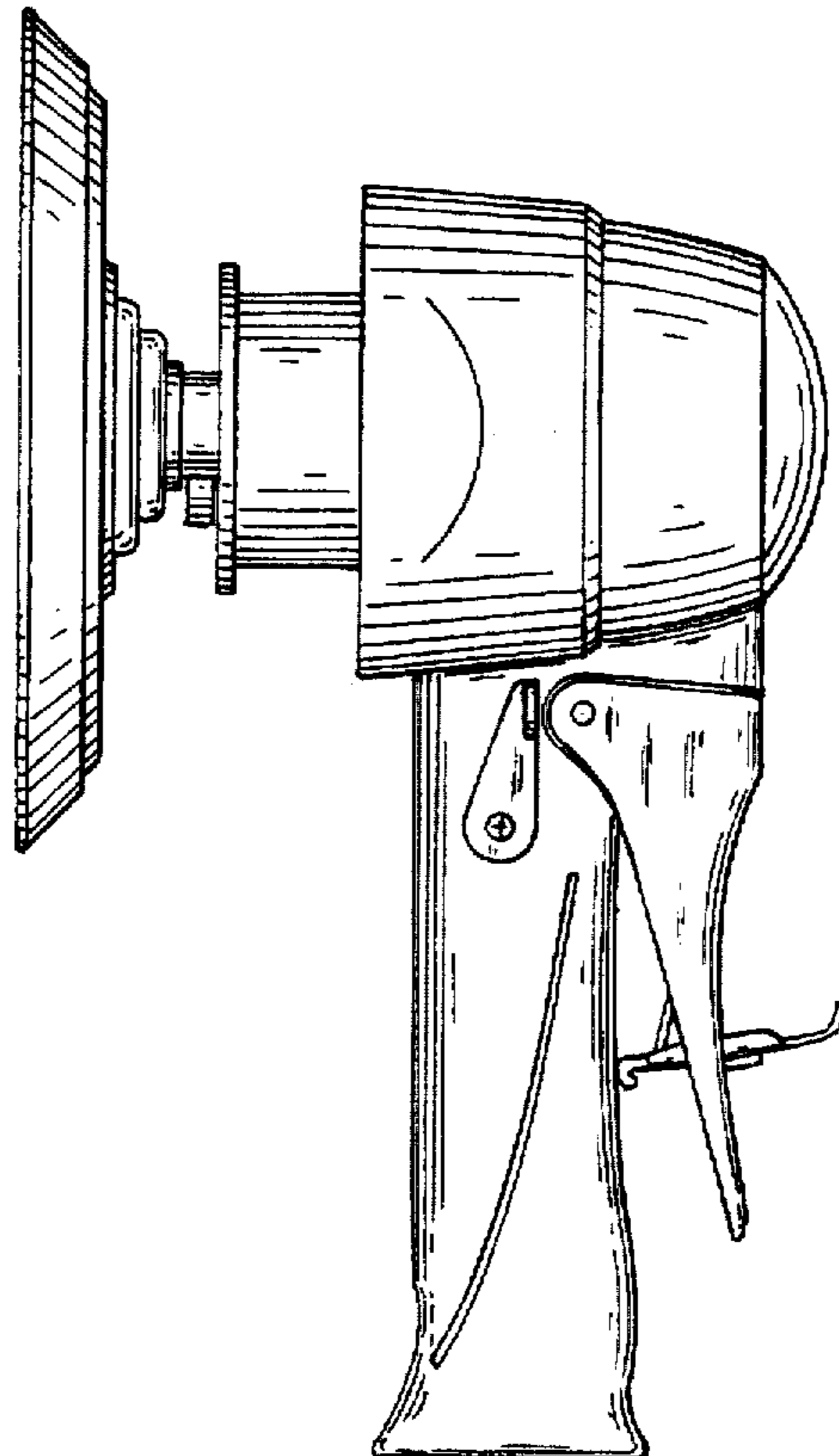
FIG. 3 is a right side view thereof;

FIG. 4 is a bottom view thereof;

FIG. 5 is a front view thereof; and,

FIG. 6 is a rear view thereof.

**1 Claim, 3 Drawing Sheets**



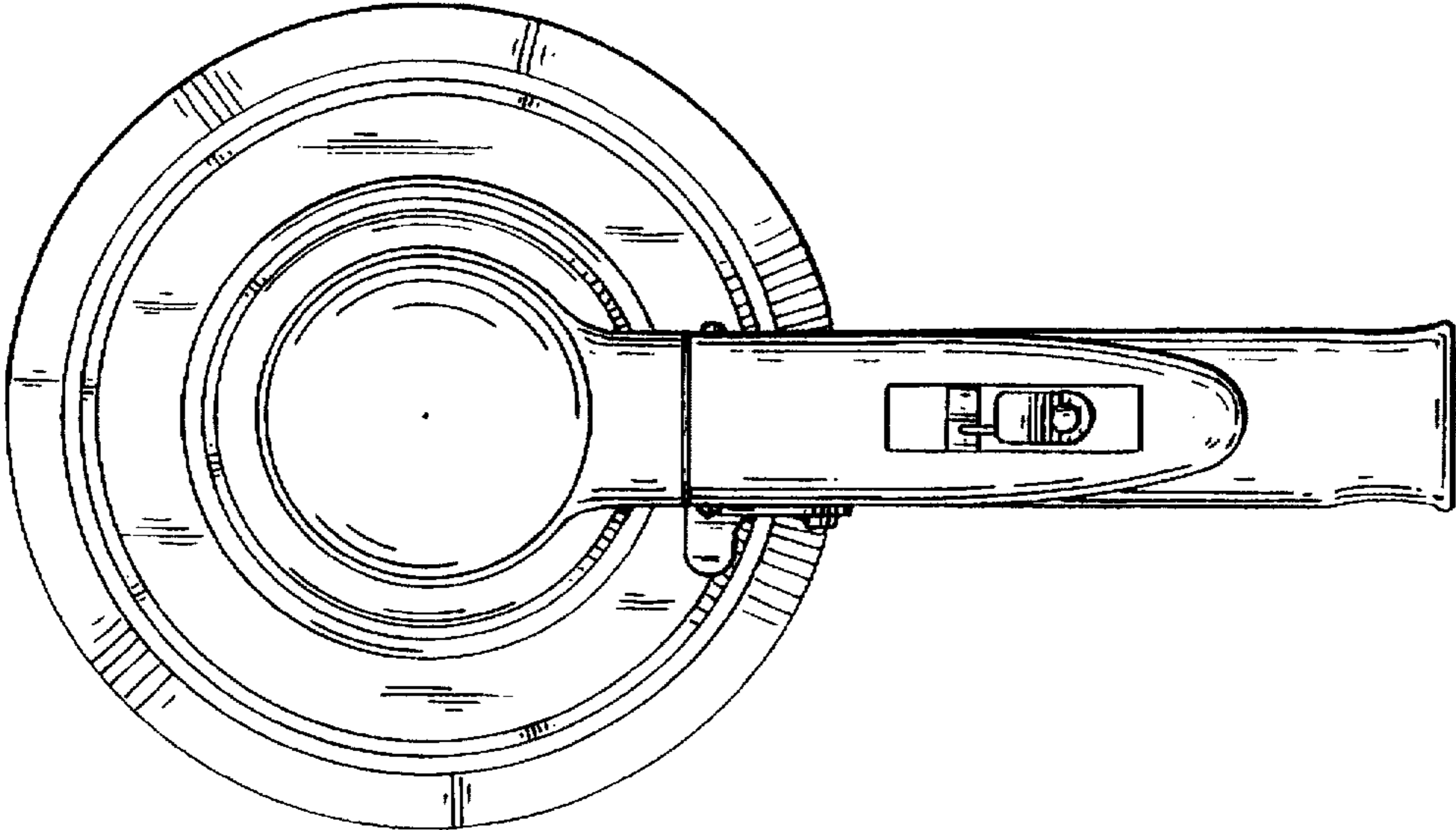


FIG. 2

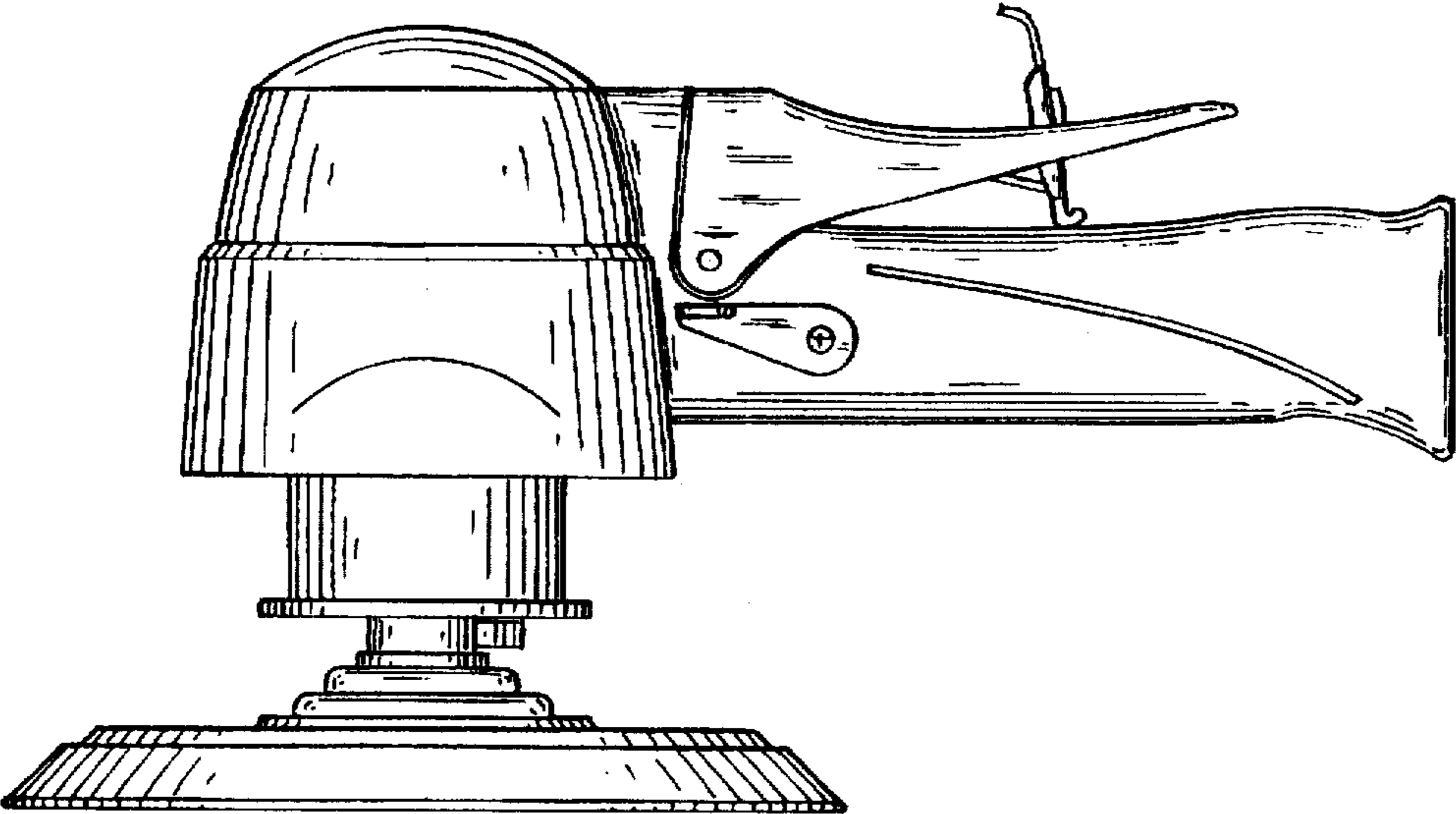


FIG. 1

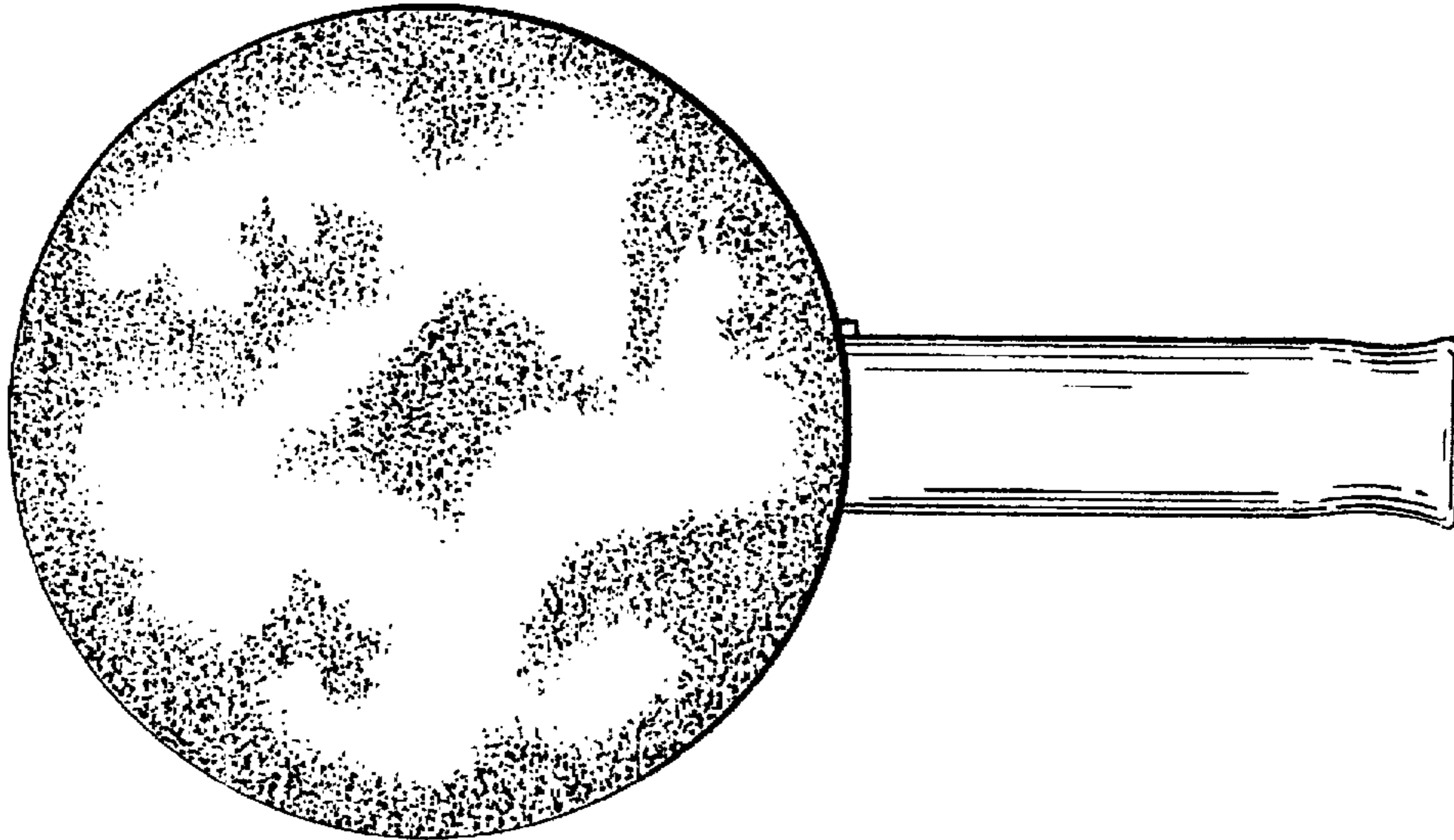


FIG. 4

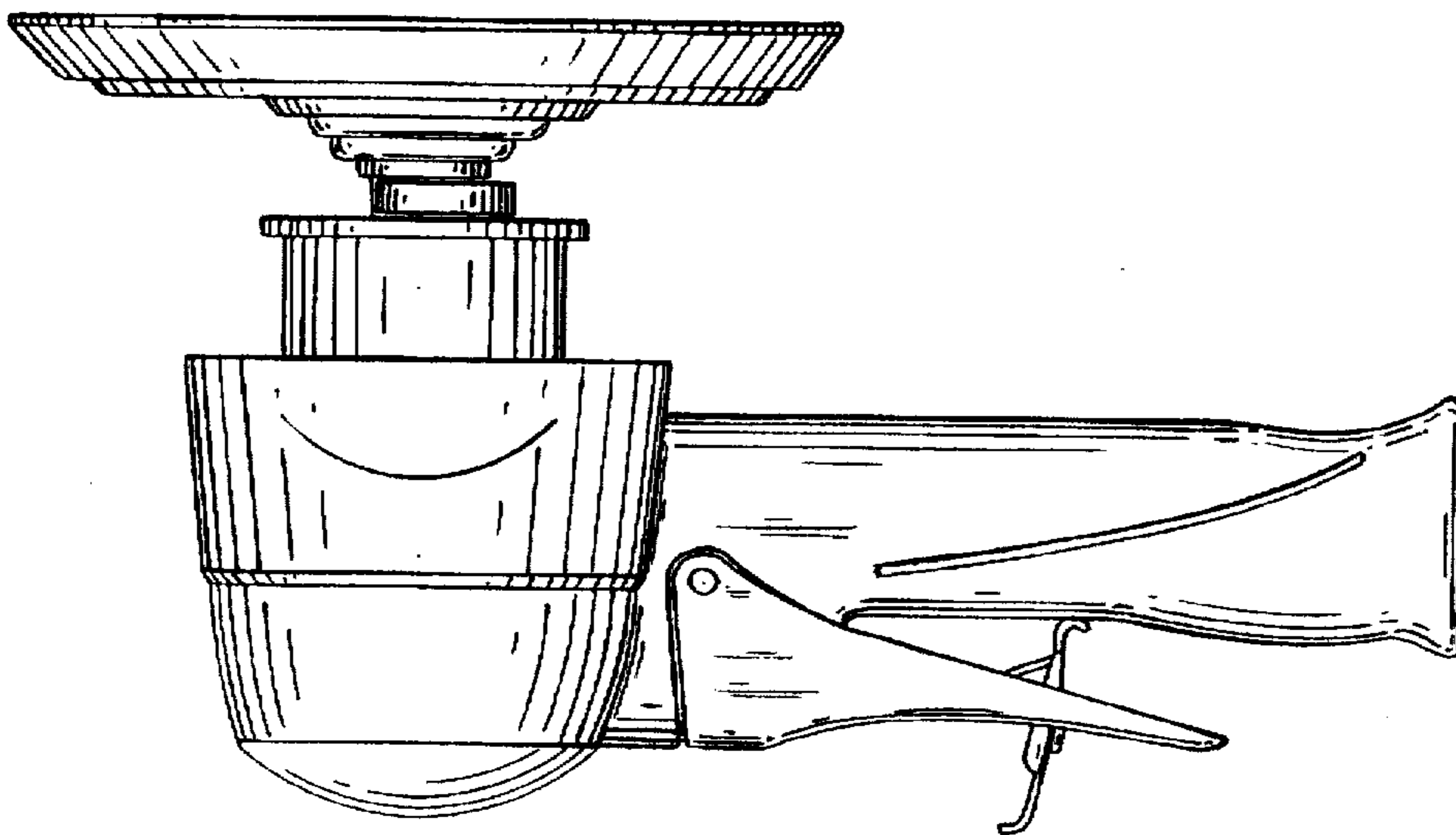


FIG. 3

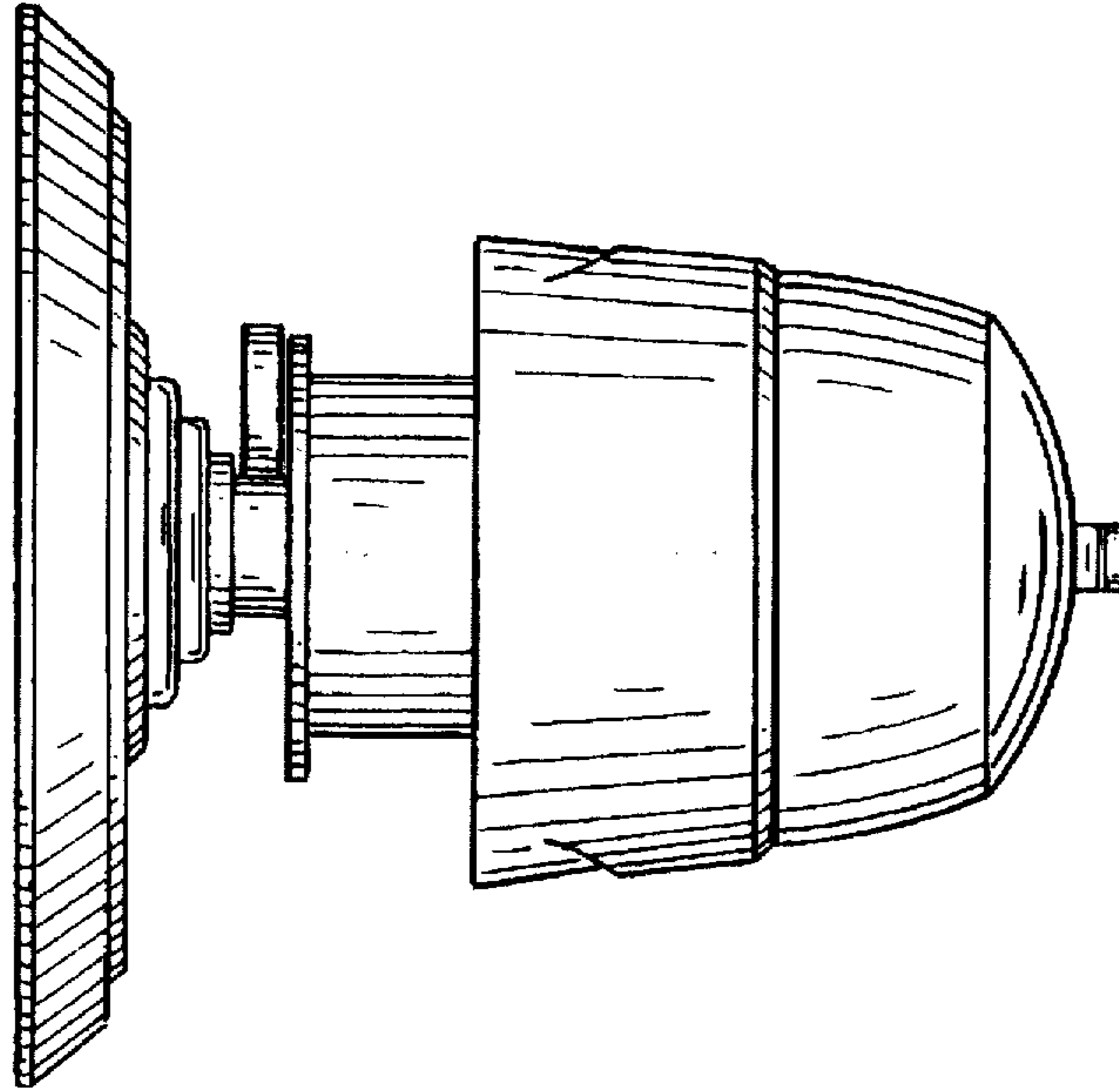


FIG. 5

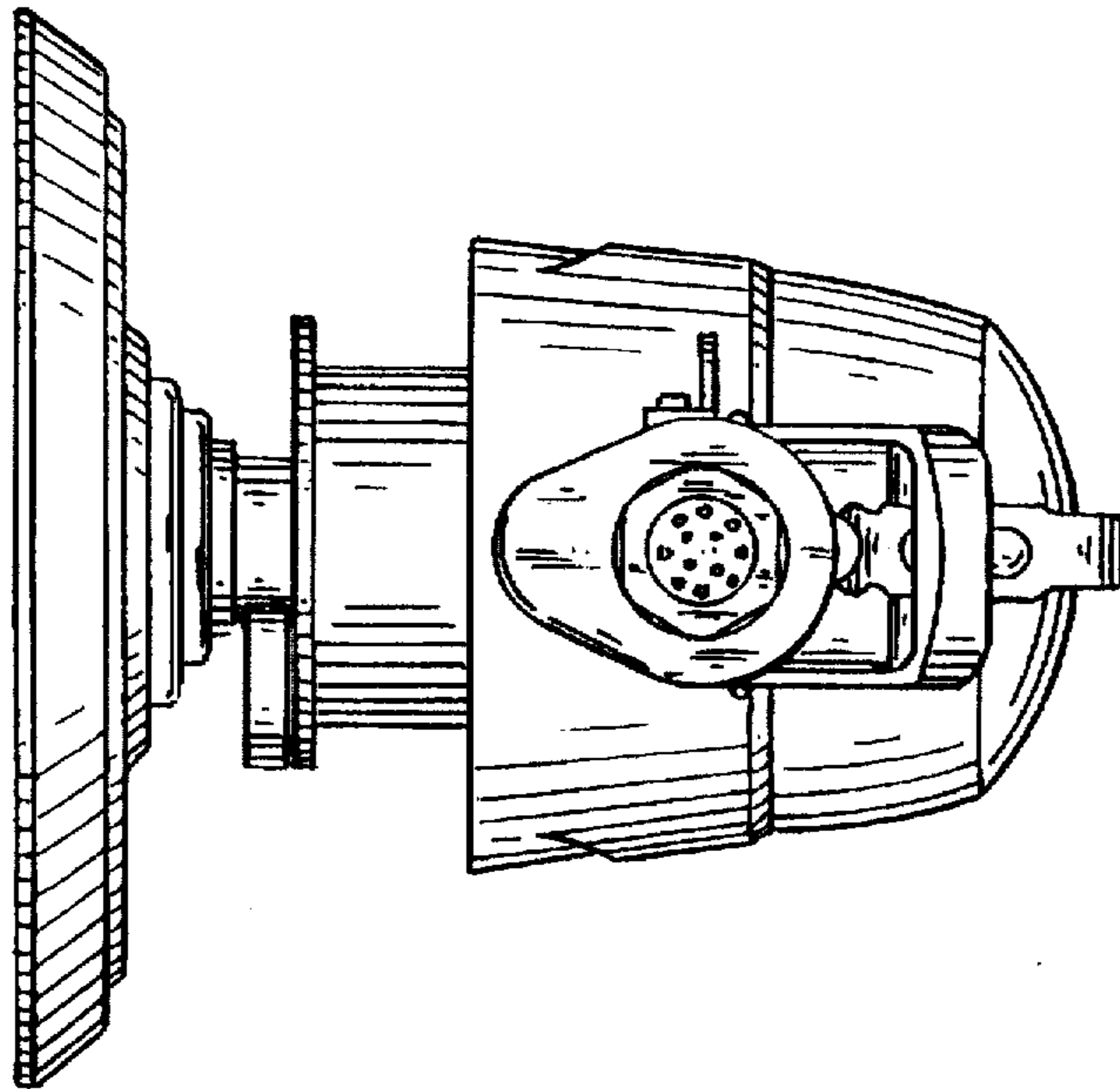


FIG. 6