

US00D386376S

# United States Patent [19]

Kaneko et al.

[11] Patent Number: **Des. 386,376**

[45] Date of Patent: **\*\*Nov. 18, 1997**

- [54] SANDER
- [75] Inventors: **Tetsuhisa Kaneko; Kouji Takeuchi,**  
both of Anjo, Japan
- [73] Assignee: **Makita Corporation,** Anjo, Japan
- [\*\*] Term: **14 Years**
- [21] Appl. No.: **58,614**
- [22] Filed: **Aug. 13, 1996**
- [30] **Foreign Application Priority Data**  
Feb. 23, 1996 [JP] Japan ..... 8-4742
- [51] LOC (6) Cl. .... **08-01**
- [52] U.S. Cl. .... **D8/62**
- [58] Field of Search ..... D8/62; 15/97.1,  
15/97.2, 97.3, 102; 451/162, 163, 344,  
356, 357, 359, 414, 456

- D. 345,089 3/1994 Kikuchi et al. .... D8/62
- D. 347,778 6/1994 Clowers et al. .... D8/62
- D. 376,304 12/1996 Clowers et al. .... D8/62

*Primary Examiner—Antoine Duval Davis*  
*Attorney, Agent, or Firm—Lahive & Cockfield, LLP*

## [57] CLAIM

The ornamental design for a sander, as shown and described.

## DESCRIPTION

FIG. 1 is a perspective view of a sander showing our new design;  
 FIG. 2 is a left side elevational view thereof;  
 FIG. 3 is a right side elevational view thereof;  
 FIG. 4 is a front elevational view thereof;  
 FIG. 5 is a rear side elevational view thereof;  
 FIG. 6 is a top plan view thereof; and,  
 FIG. 7 is bottom plan view thereof.

## [56] References Cited

### U.S. PATENT DOCUMENTS

- D. 326,398 5/1992 Fushiya et al. .... D8/62

**1 Claim, 7 Drawing Sheets**

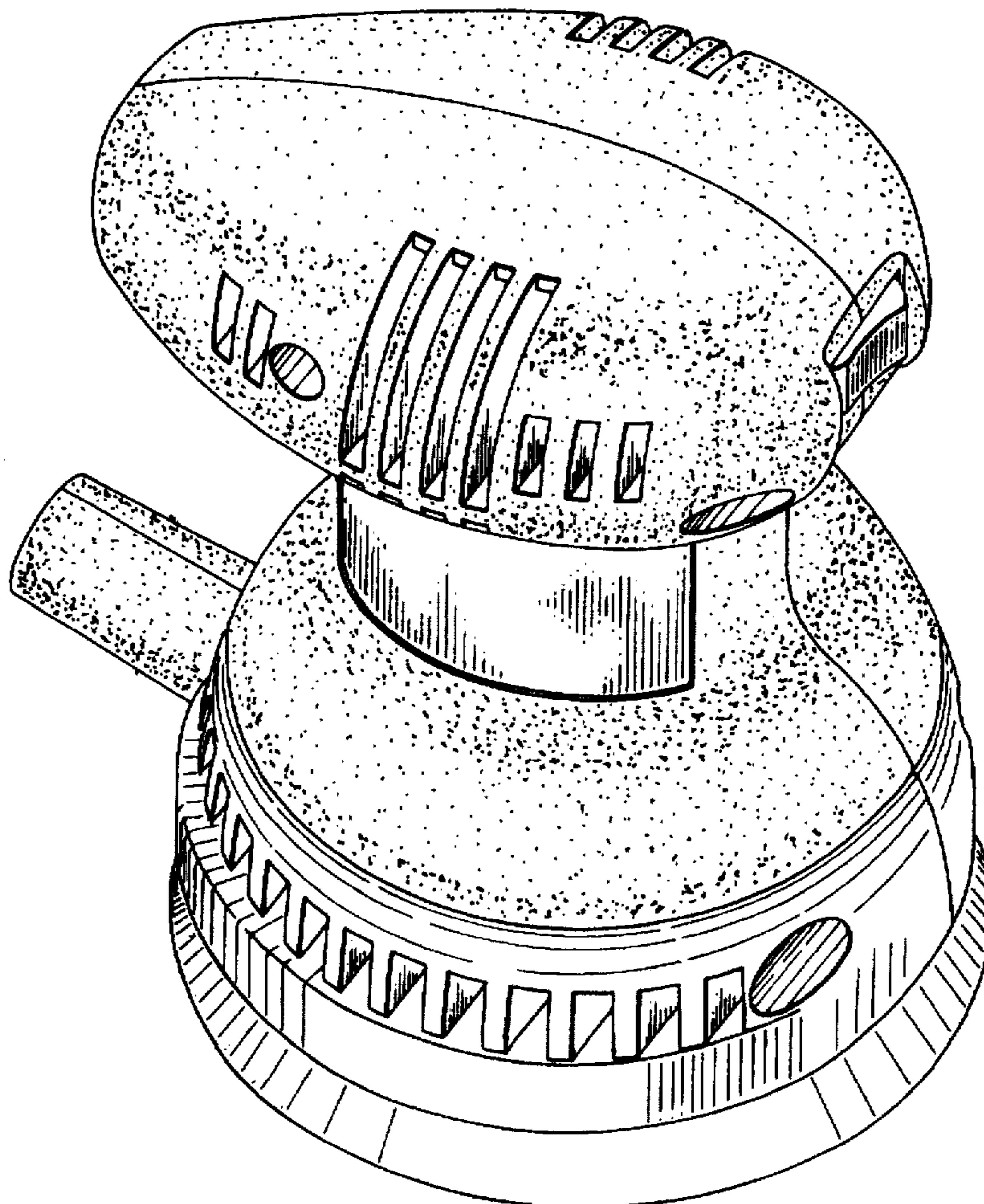


FIG. 1

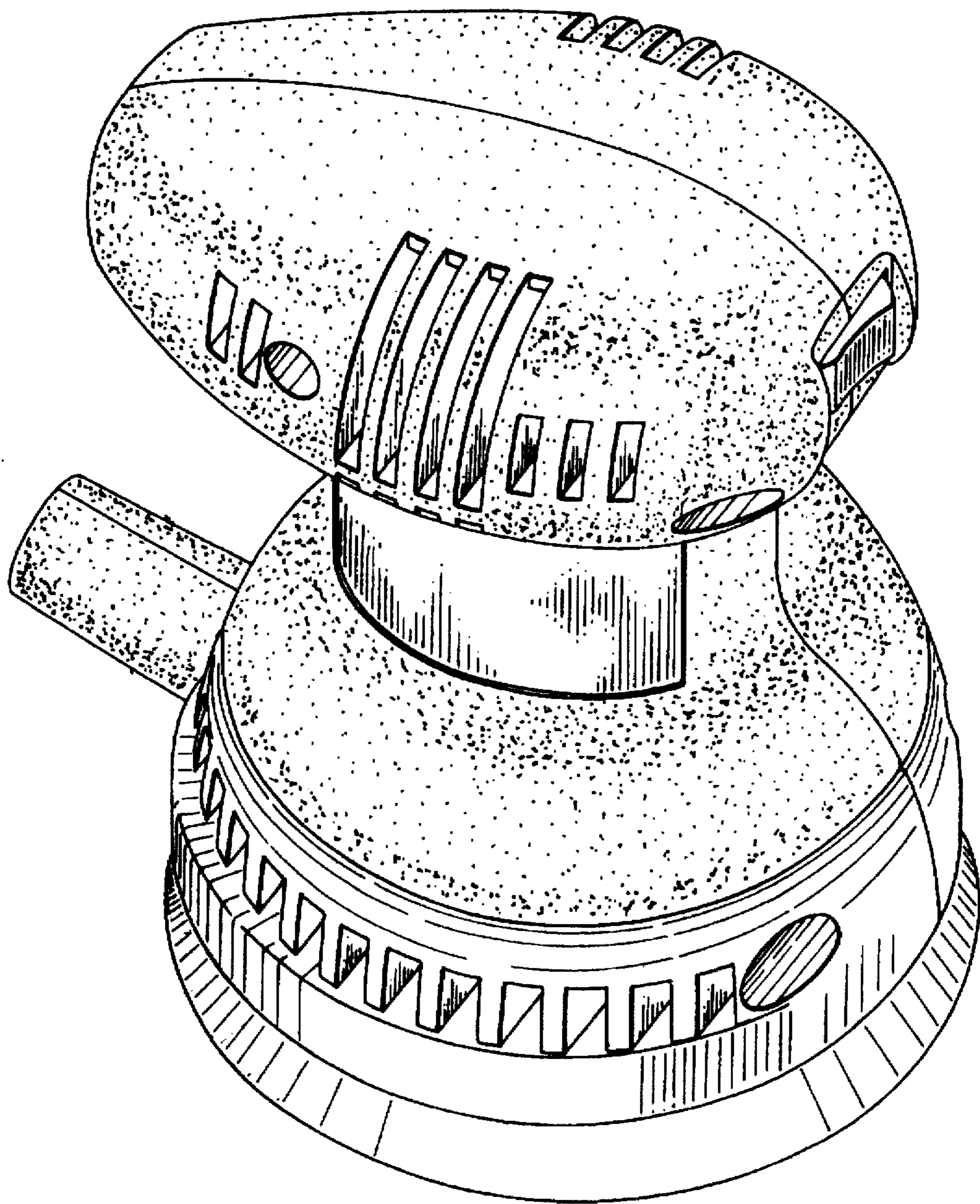




FIG. 2

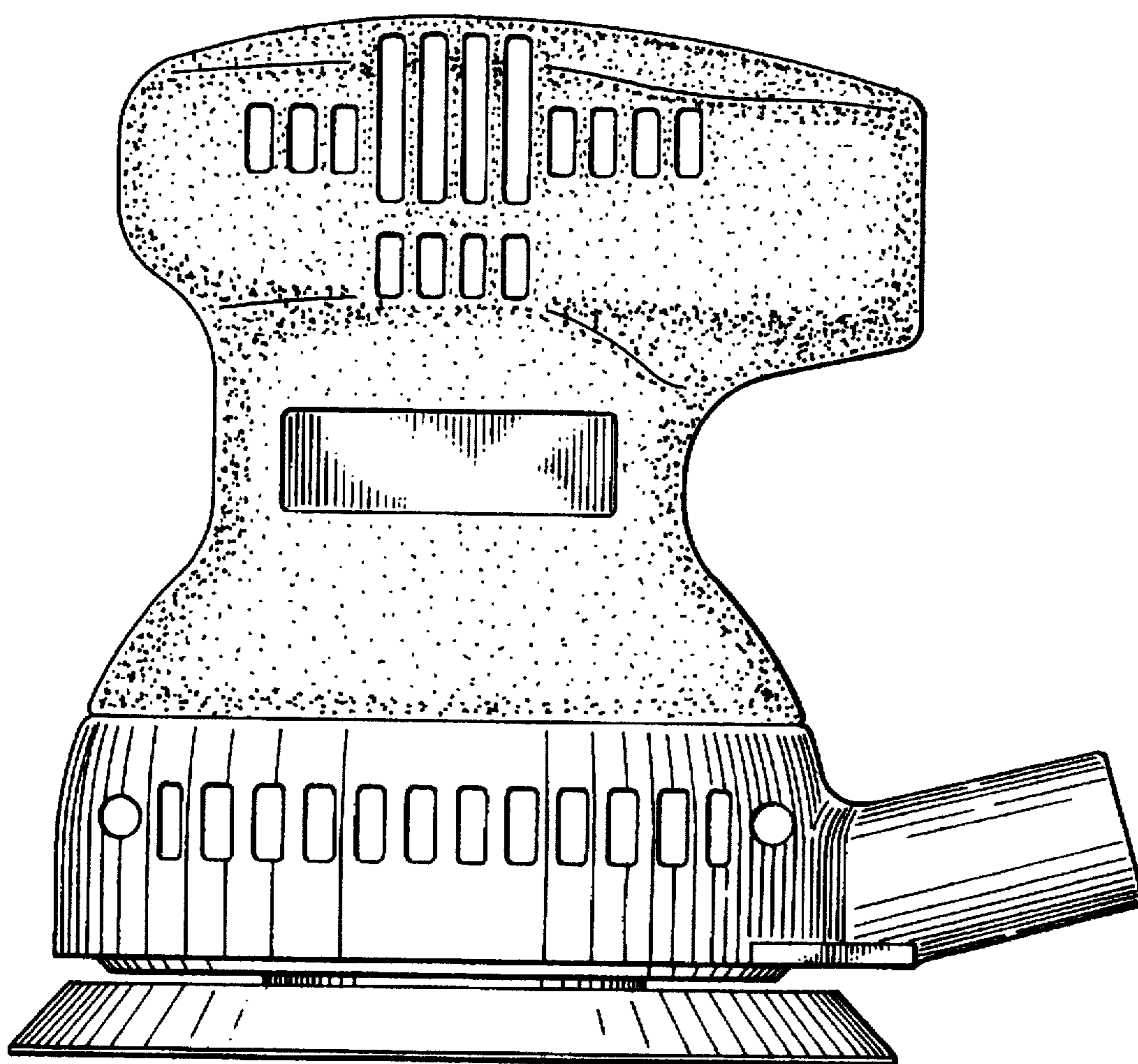


FIG. 3

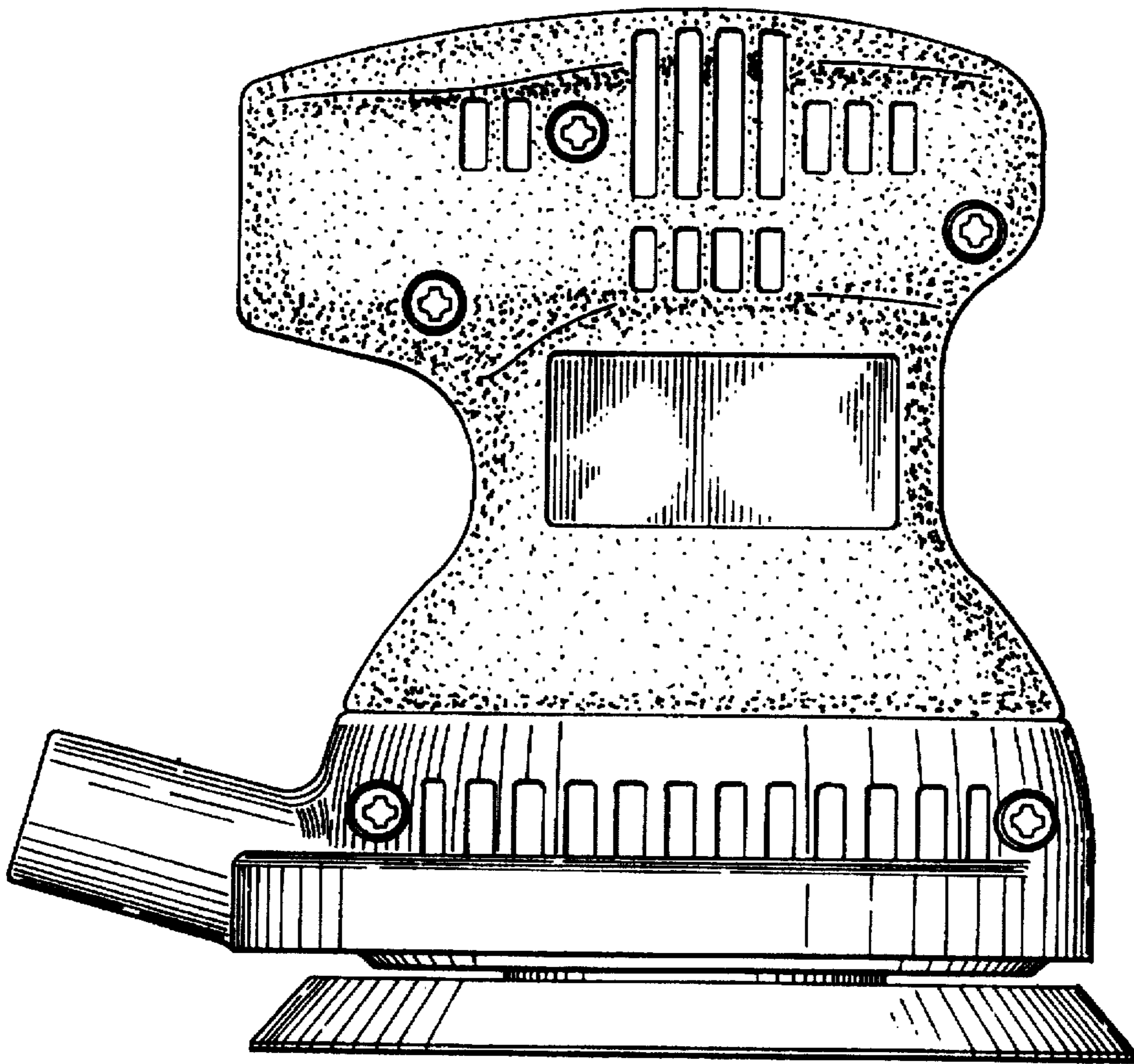


FIG. 4

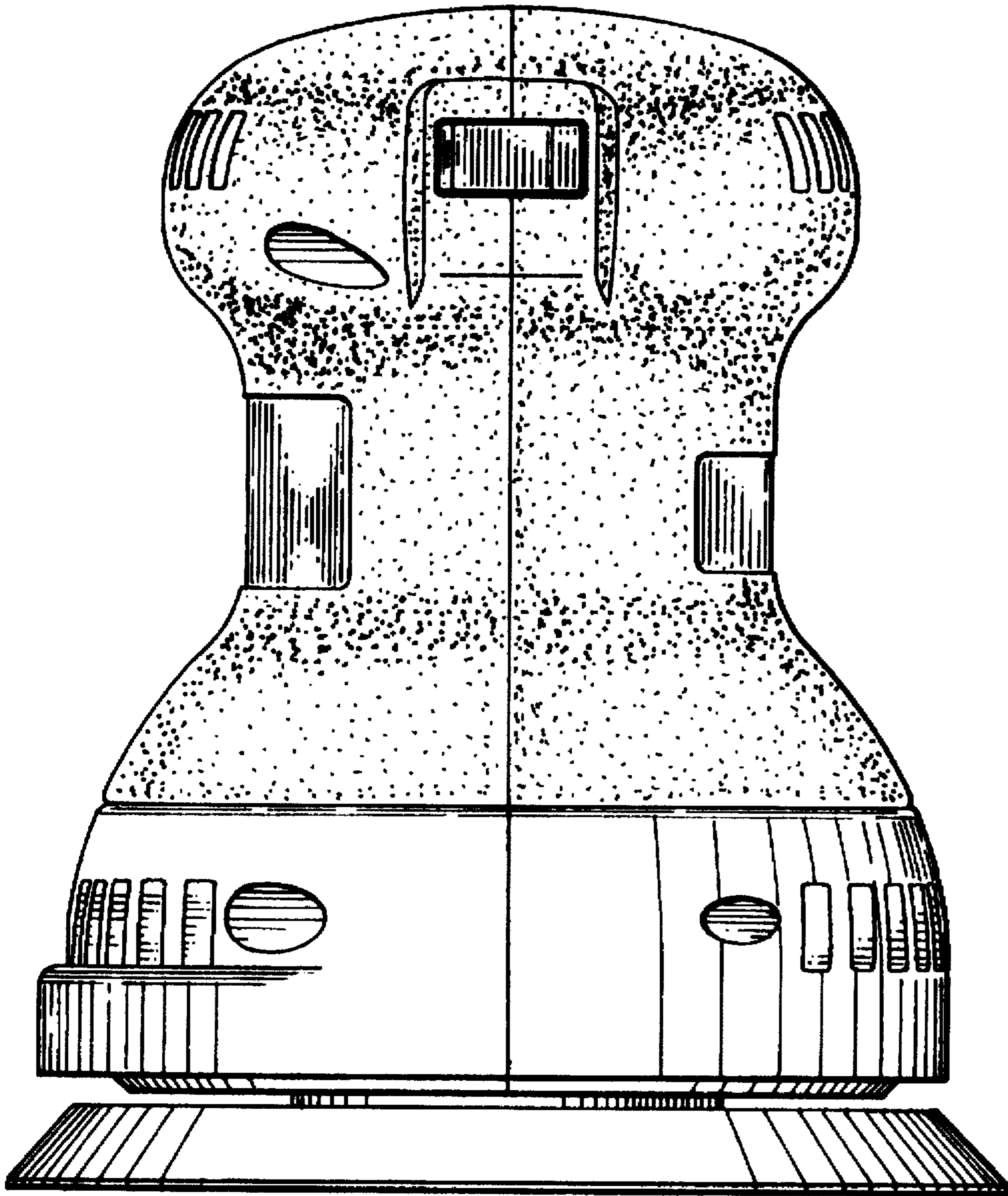




FIG. 5

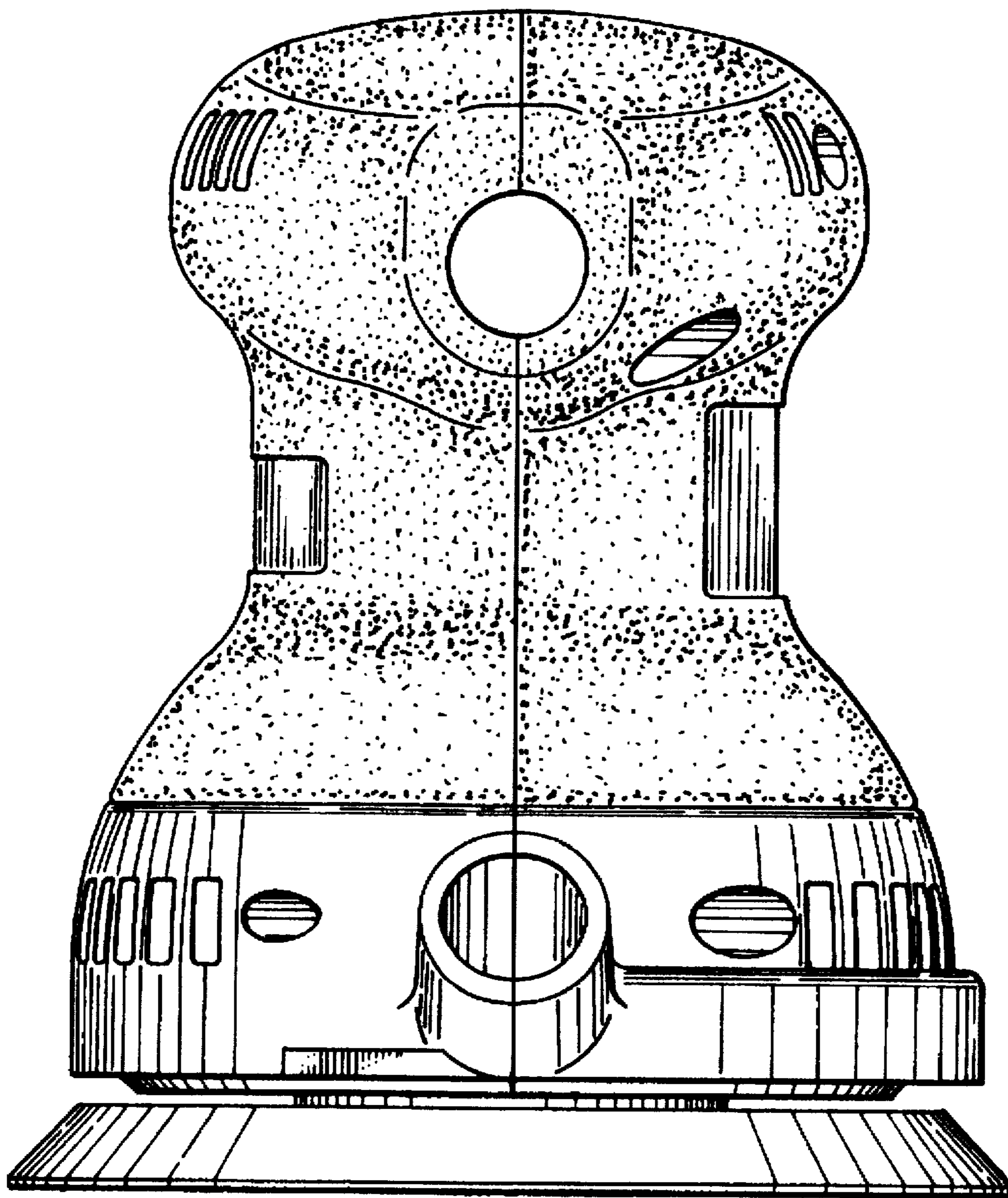


FIG. 6

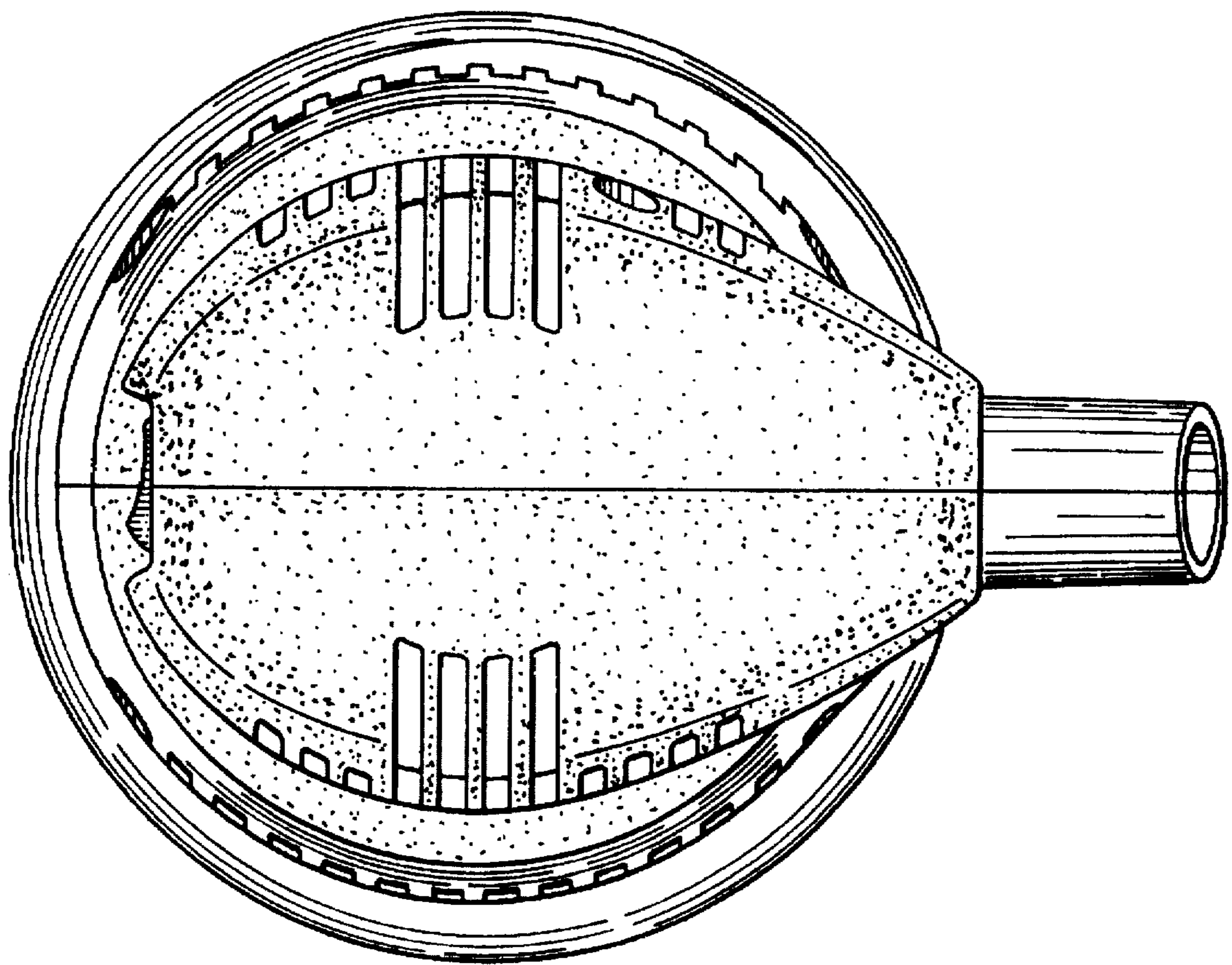


FIG. 7

