



US00D386371S

United States Patent [19] Gloyna

[11] Patent Number: Des. 386,371
[45] Date of Patent: **Nov. 18, 1997

[54] T-POST CLIP INSTALLER
[76] Inventor: **Glen L. Gloyna**, Rte. 5, Box 2260,
Nacadoches, Tex. 75961
[**] Term: **14 Years**
[21] Appl. No.: **53,503**
[22] Filed: **May 8, 1996**
[51] LOC (6) Cl. **08-05**
[52] U.S. Cl. **D8/14; D8/44**
[58] Field of Search D8/14, 44, 256;
7/117; 140/57, 117, 102.5, 123; 227/147

4,485,852 12/1984 Frazier .
4,917,154 4/1990 Roberson, Sr. .
5,335,701 8/1994 Frazier 140/57
5,518,044 5/1996 Ferguson 140/102.5

Primary Examiner—Prabhakar G. Deshmukh
Assistant Examiner—Richelle Shelton

[57] CLAIM

The ornamental design for the t-post clip installer, as shown and described.

DESCRIPTION

FIG. 1 is a prespective view of the t-post clip installer showing my new design in use, the dotted lines for environmental purposes only and forming no part of the claimed design;

FIG. 2 is a front elevational view thereof, the rear, right side and left side elevational views being identical;

FIG. 3 is a cross-sectional view thereof taken along line 3—3 of FIG. 2 ; and,

FIG. 4 is a bottom plan view thereof.

[56] References Cited

U.S. PATENT DOCUMENTS

80,477	7/1868	Hale	227/147
D. 119,763	4/1940	Nelson	D32/35
D. 249,223	9/1978	Holden	D8/14
D. 314,901	2/1991	Tackett et al.	
1,604,675	10/1926	Bernard	227/147
4,235,269	11/1980	Kraus	

1 Claim, 2 Drawing Sheets

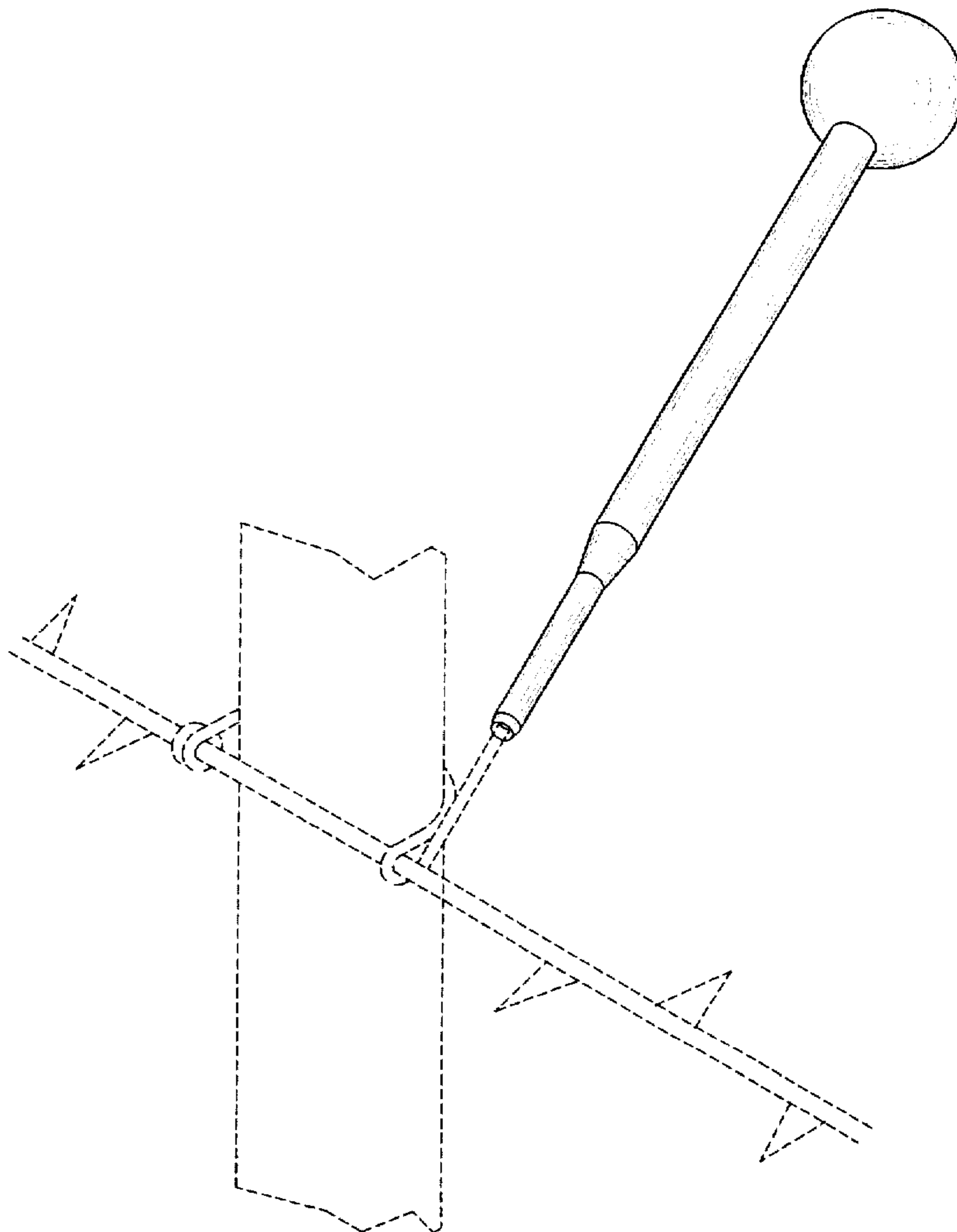


FIG. 1

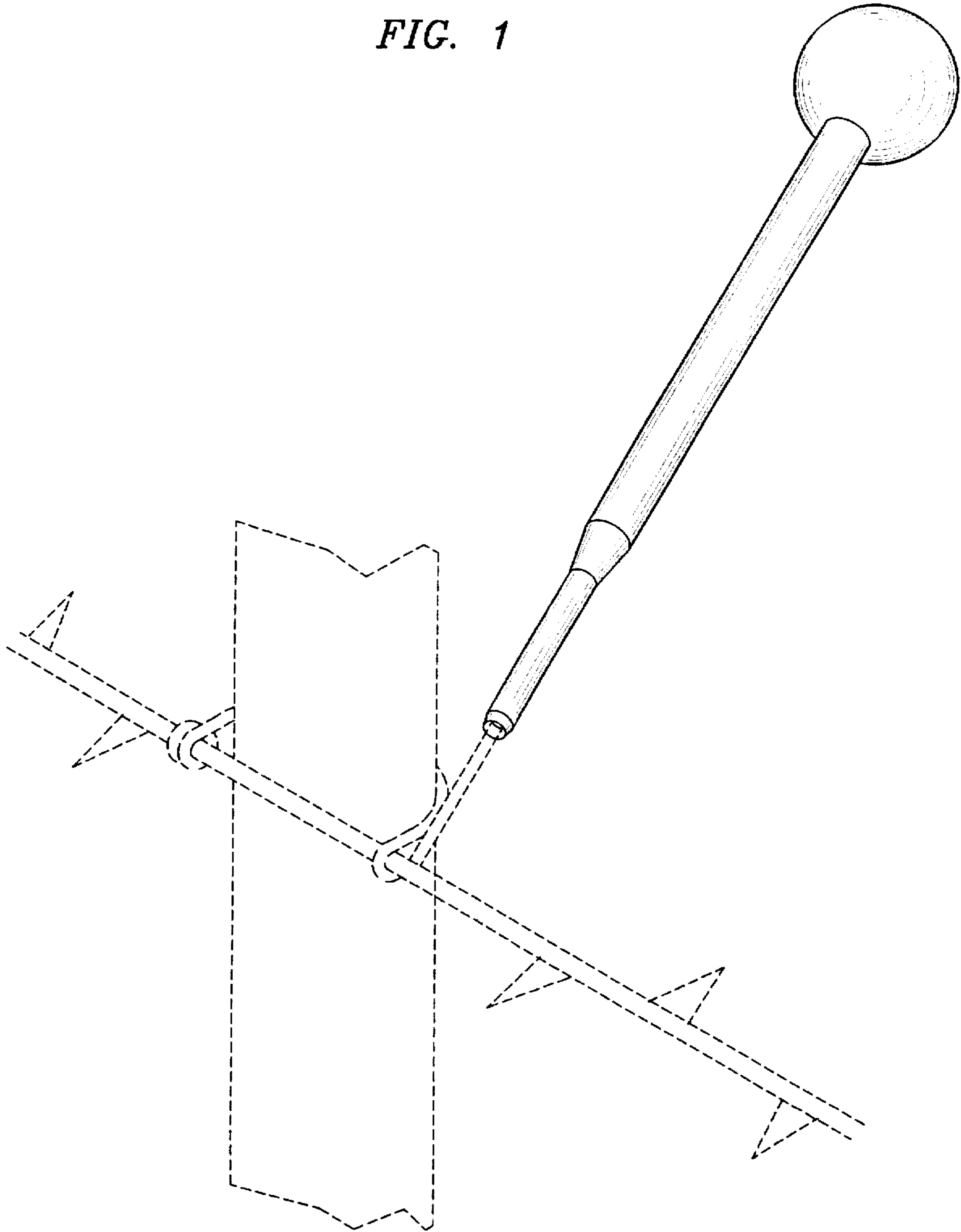


FIG. 2

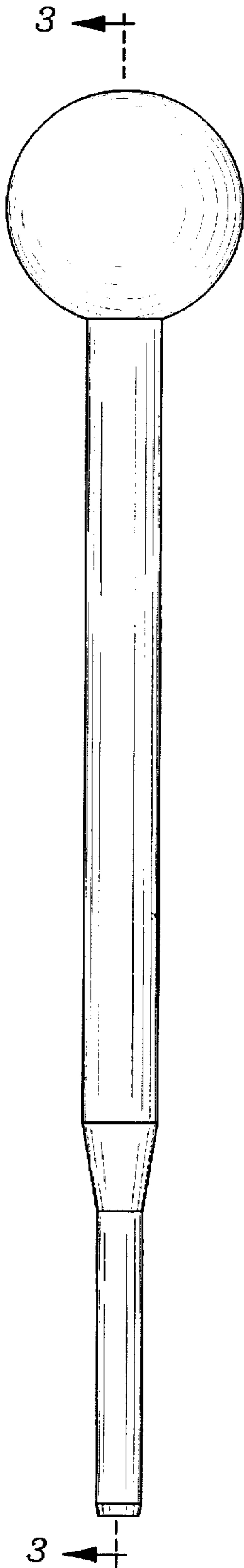


FIG. 3

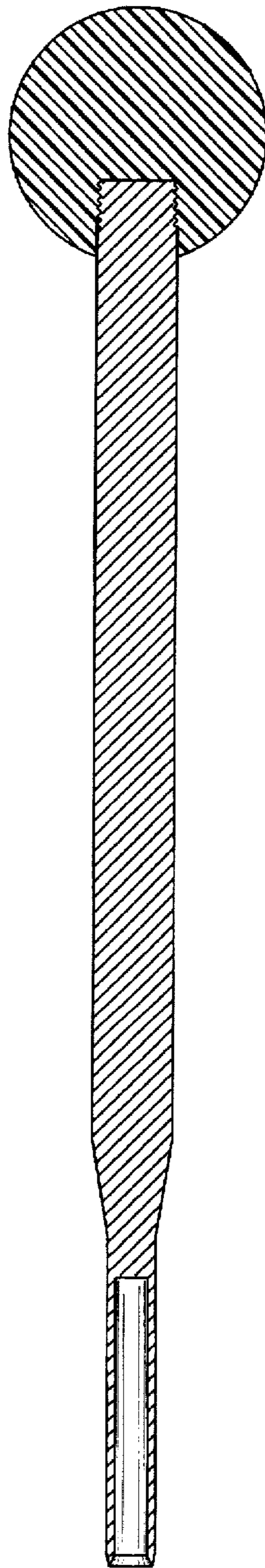


FIG. 4

