



US00D386370S

United States Patent [19]
Oxley et al.

[11] **Patent Number: Des. 386,370**
[45] **Date of Patent: **Nov. 18, 1997**

[54] **GARDEN WEEDER**

[75] Inventors: **Andrew Nicholas Oxley; Charles Michael Oxley**, both of Oxfordshire, Great Britain

[73] Assignee: **PZ Products Limited**, Oxfordshire, Great Britain

[**] Term: **14 Years**

[21] Appl. No.: **52,546**

[22] Filed: **Mar. 19, 1996**

[30] **Foreign Application Priority Data**

Sep. 19, 1995 [GB] United Kingdom 2050493

[51] LOC (6) Cl. **08-01**

[52] U.S. Cl. **D8/8**

[58] Field of Search D8/8; 30/276;
56/12.7

[56] **References Cited**

U.S. PATENT DOCUMENTS

D. 361,481 8/1995 Rees et al. D8/8
D. 377,743 2/1997 DeMore et al. D8/8

FOREIGN PATENT DOCUMENTS

0 074 230 3/1983 European Pat. Off. .

OTHER PUBLICATIONS

Black and Decker, p. 8, yard trimmer, located in center of page Mar. 1994.

Primary Examiner—Holly Baynham
Attorney, Agent, or Firm—Cushman Darby & Cushman Intellectual Property Group of Pillsbury Madison & Sutro LLP

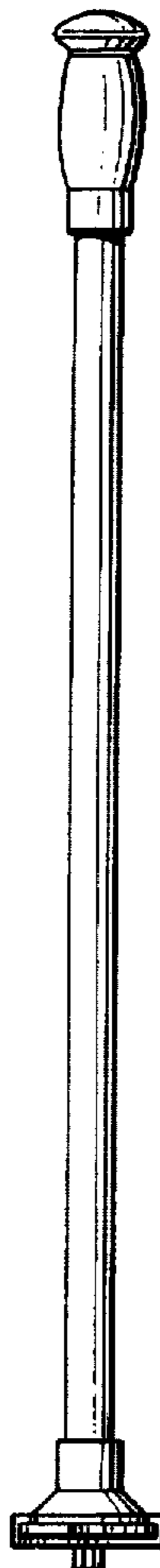
[57] **CLAIM**

The ornamental design for a garden weeder, as shown and described.

DESCRIPTION

FIG. 1 is a front elevational view of a garden weeder showing our new design, the rear being identical thereto; FIG. 2 is a right side elevational view thereof, the left side being a mirror image thereof; FIG. 3 is a large scale fragmentary front elevational view thereof showing the head portion thereof and a portion of the handle shaft thereof; FIG. 4 is a large scale bottom plan view thereof; and, FIG. 5 is a larger scale top plan view thereof.

1 Claim, 2 Drawing Sheets



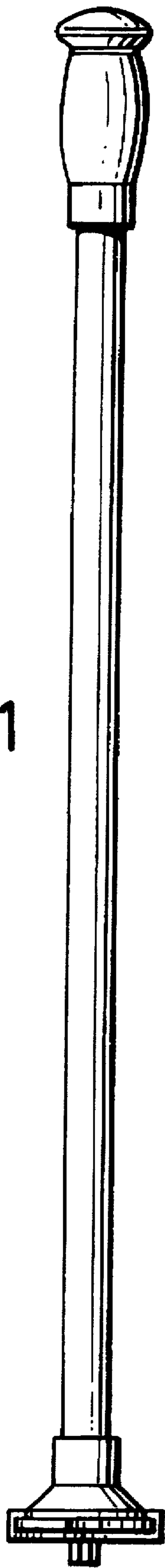


FIG. 1

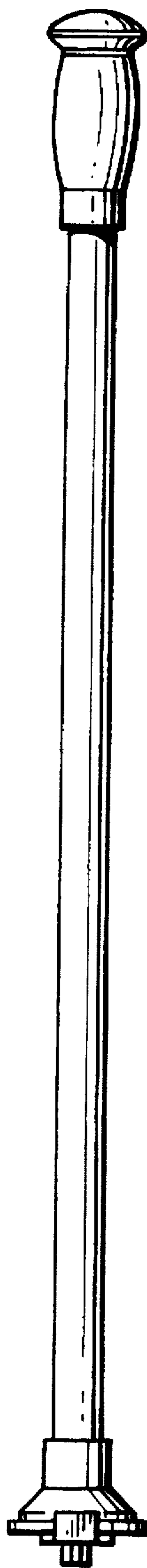


FIG. 2

FIG. 3

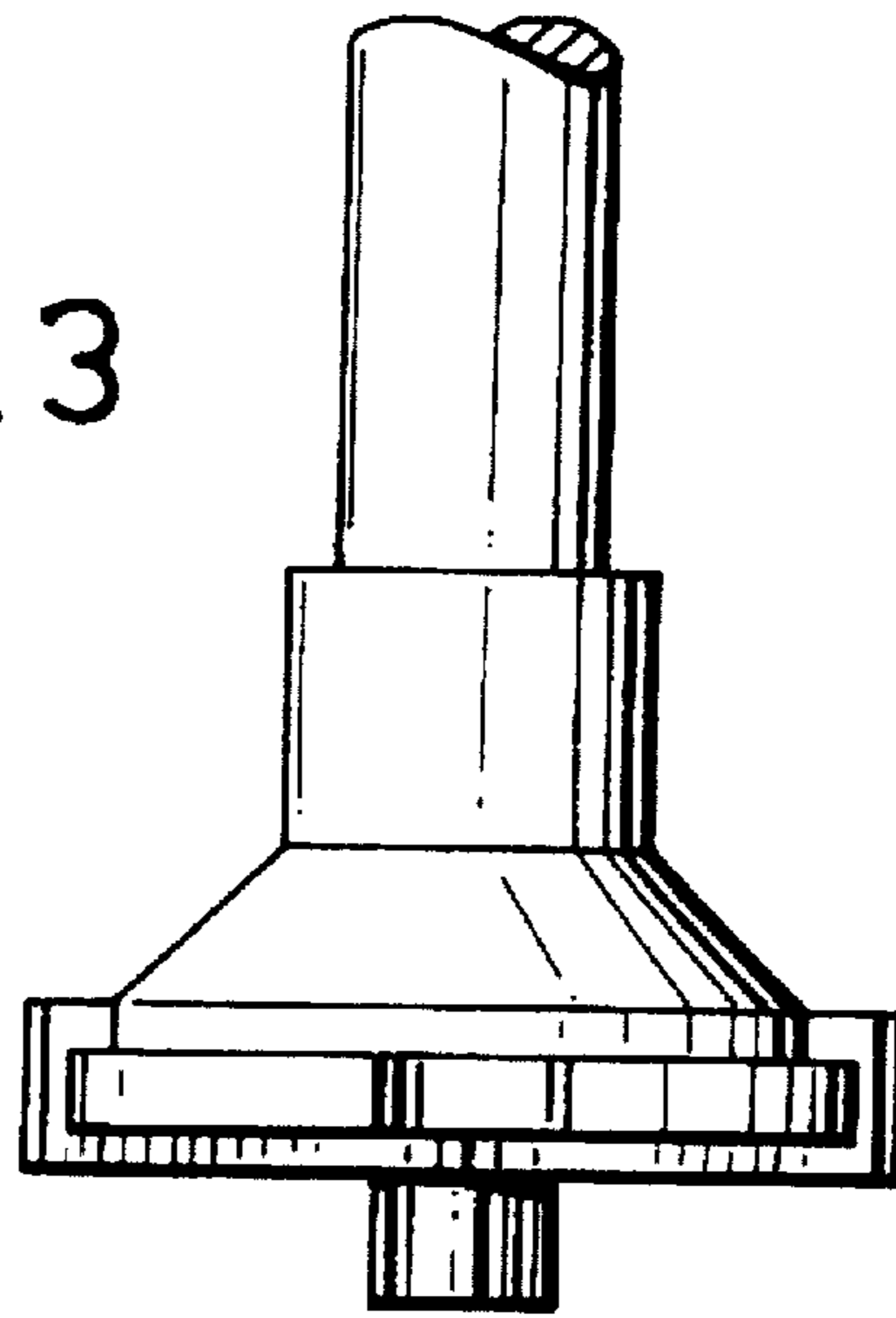


FIG. 4

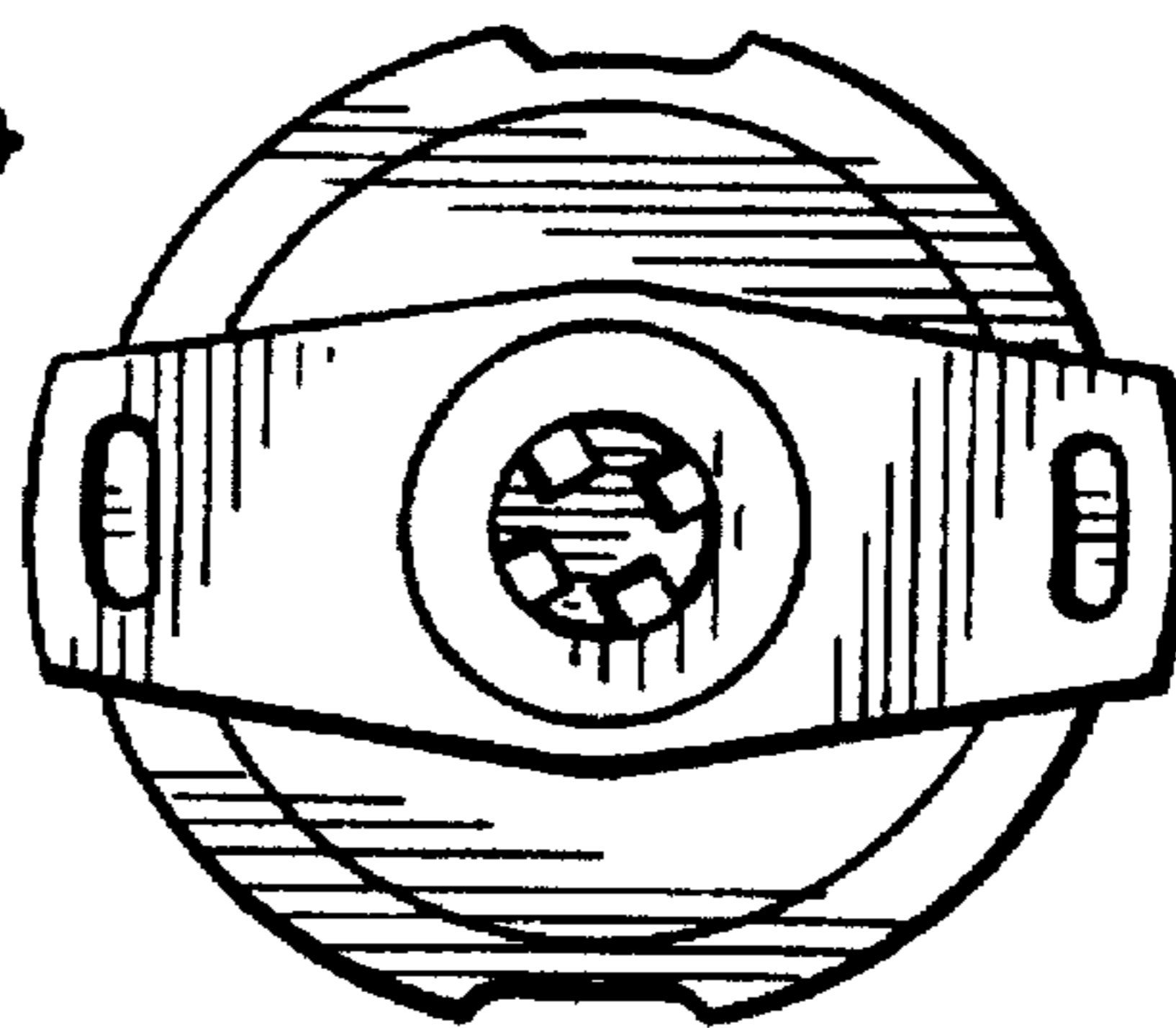


FIG. 5

