



US00D386368S

United States Patent [19]

Rimback et al.

[11] Patent Number: Des. 386,368

[45] Date of Patent: **Nov. 18, 1997

[54] LANDSCAPE TIMBER CONNECTING SYSTEM MEMBER

[75] Inventors: Peter Rimback, Village of Oakwood; James Vidmar, Willoughby, both of Ohio

[73] Assignee: Hanover Catalog Holdings, Inc., Weehawken, N.J.

[**] Term: 14 Years

[21] Appl. No.: 55,309

[22] Filed: May 31, 1996

[51] LOC (6) Cl. 08-01

[52] U.S. Cl. D8/1; D8/382

[58] Field of Search D8/1, 354, 356, D8/382, 384, 394; D25/35, 113, 118, 131, 133, 199, 164; 47/23, 33, 41.14; 52/102, 103, 155, 156, 590.2, 653.2; 403/65, 93, 169, 170, 205, 217, 381

[56] **References Cited**

U.S. PATENT DOCUMENTS

D. 293,766	1/1988	Lamb	D8/356
3,343,301	9/1967	Adelman	D25/113 X
3,537,687	11/1970	Adelman	256/19
3,545,128	12/1970	La Fontaine et al.	47/33

3,916,563	11/1975	Tedesh	47/33
4,826,344	5/1989	Rakiec	403/205
4,971,475	11/1990	Castonguay et al.	404/7
5,168,678	12/1992	Scott, Jr. et al.	52/102
5,230,187	7/1993	Reimann	52/102
5,291,703	3/1994	Johnson	52/103
5,468,092	11/1995	Saunders	403/65 X

Primary Examiner—Caron D. Veynar
Attorney, Agent, or Firm—Thompson Hine & Flory LLP

[57] **CLAIM**

The ornamental design for a landscape timber connecting system member, as shown and described.

DESCRIPTION

FIG. 1 is a front perspective view of a landscape timber connecting system member embodying our new design, taken from above and the right, the broken line showing of a second member is for illustrative purposes only and forms no part of the claimed design;

FIG. 2 is a front perspective view thereof;

FIG. 3 is a perspective rear view thereof;

FIG. 4 is a rear elevational view thereof;

FIG. 5 is a top plan view thereof, the bottom plan view being a mirror image;

FIG. 6 is a left side elevational view thereof;

FIG. 7 is a front elevational view thereof; and,

FIG. 8 is a right side elevational view thereof.

1 Claim, 2 Drawing Sheets

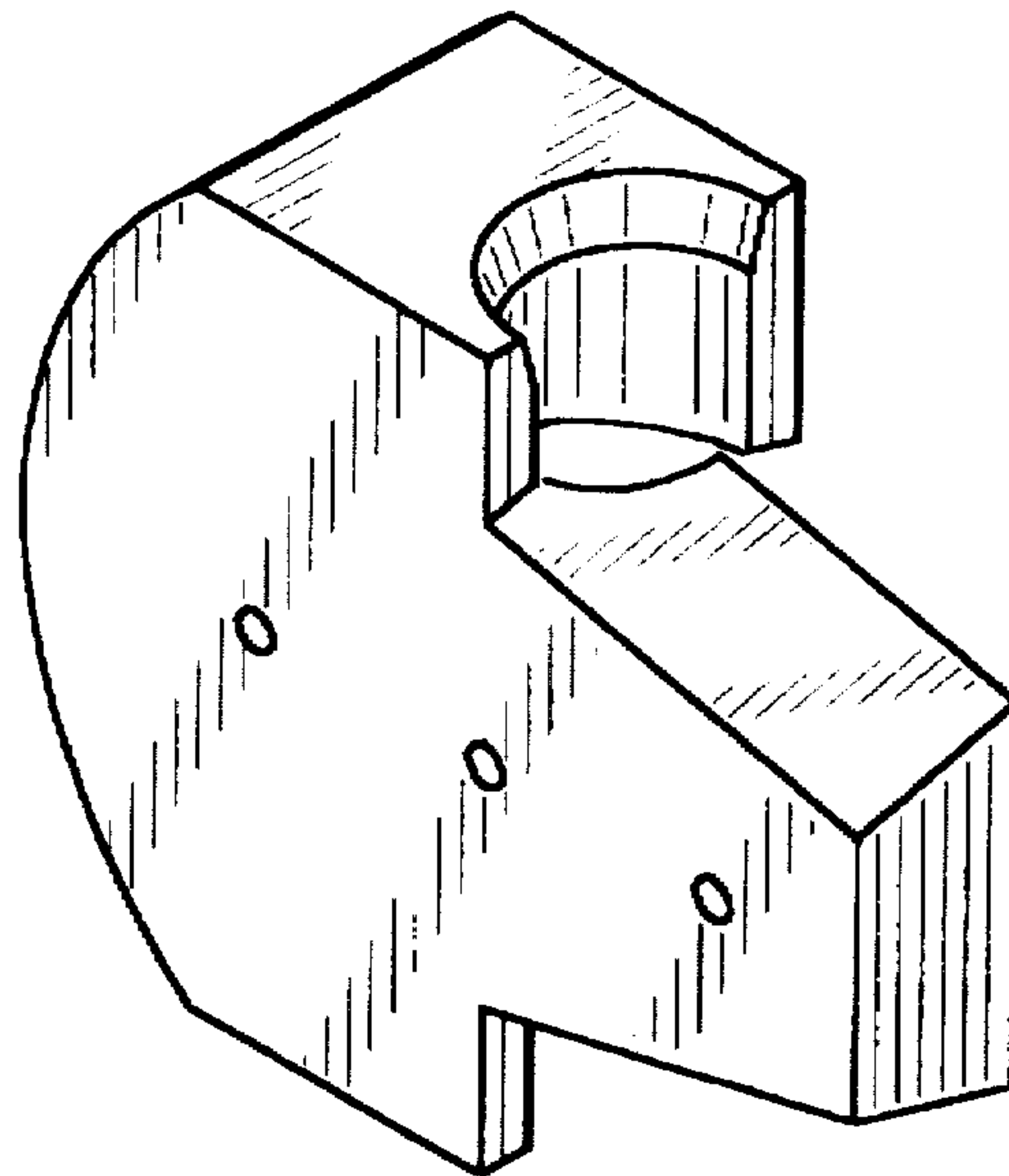


FIG. 1

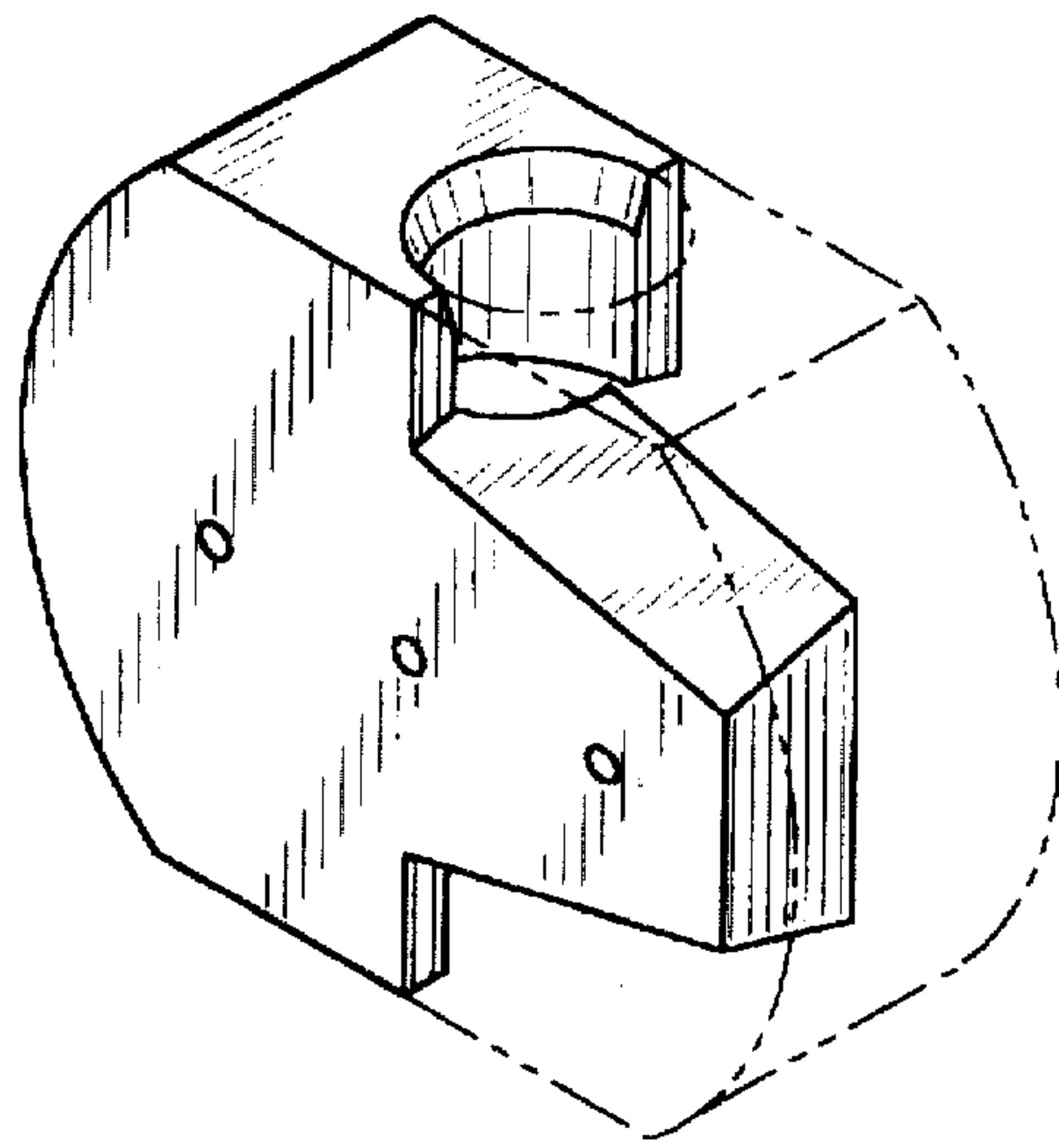


FIG. 2

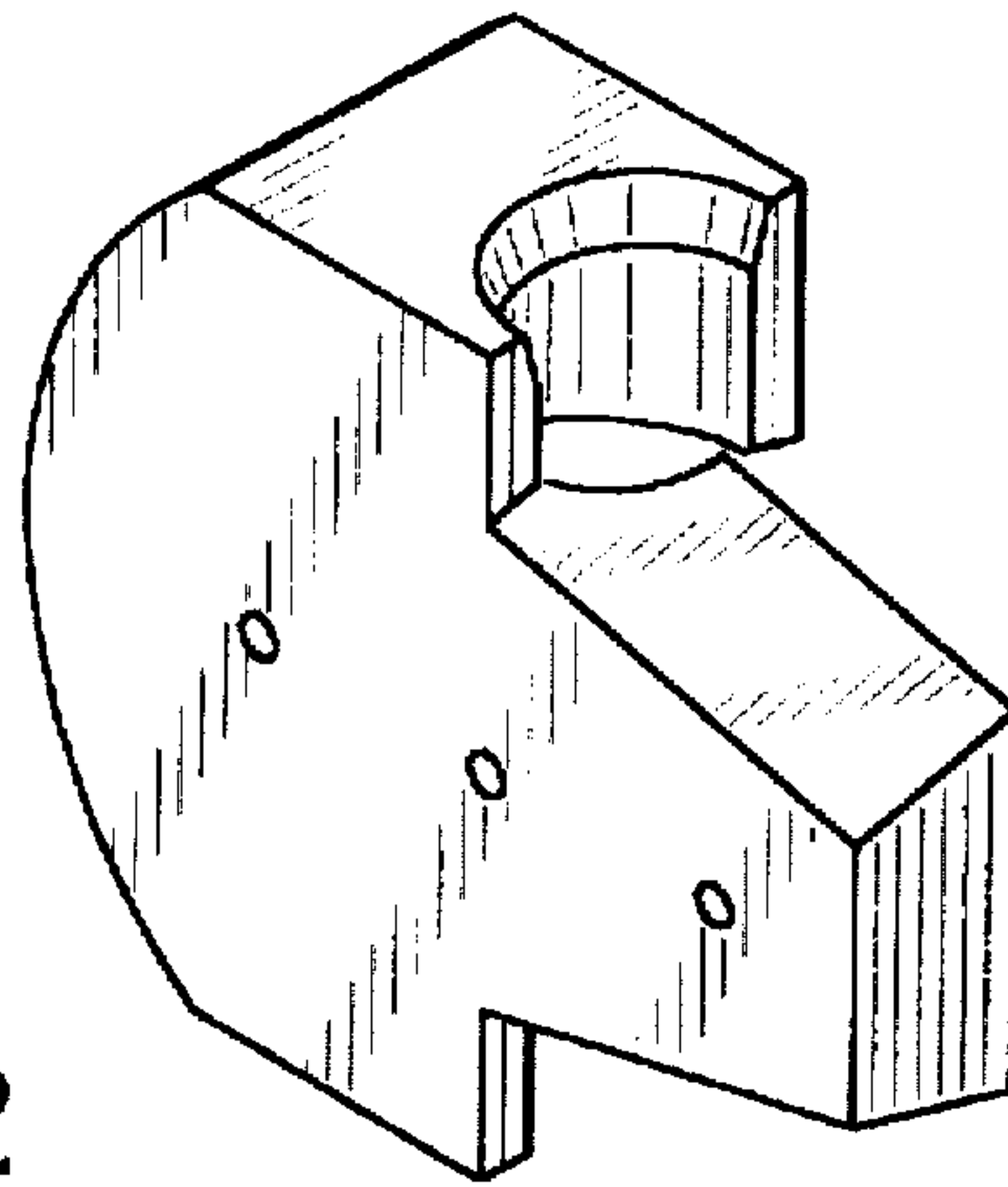


FIG. 3

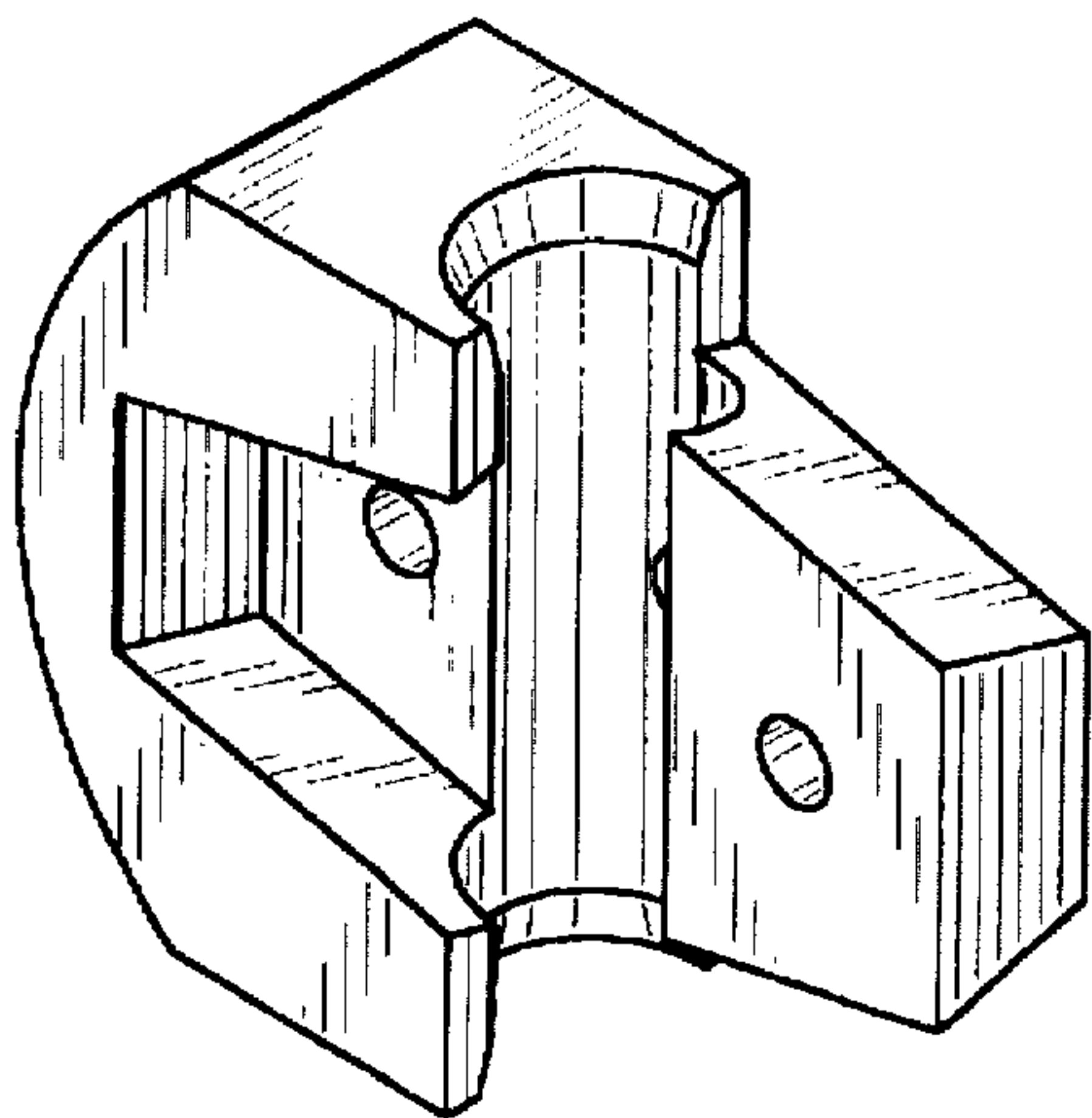


FIG. 4

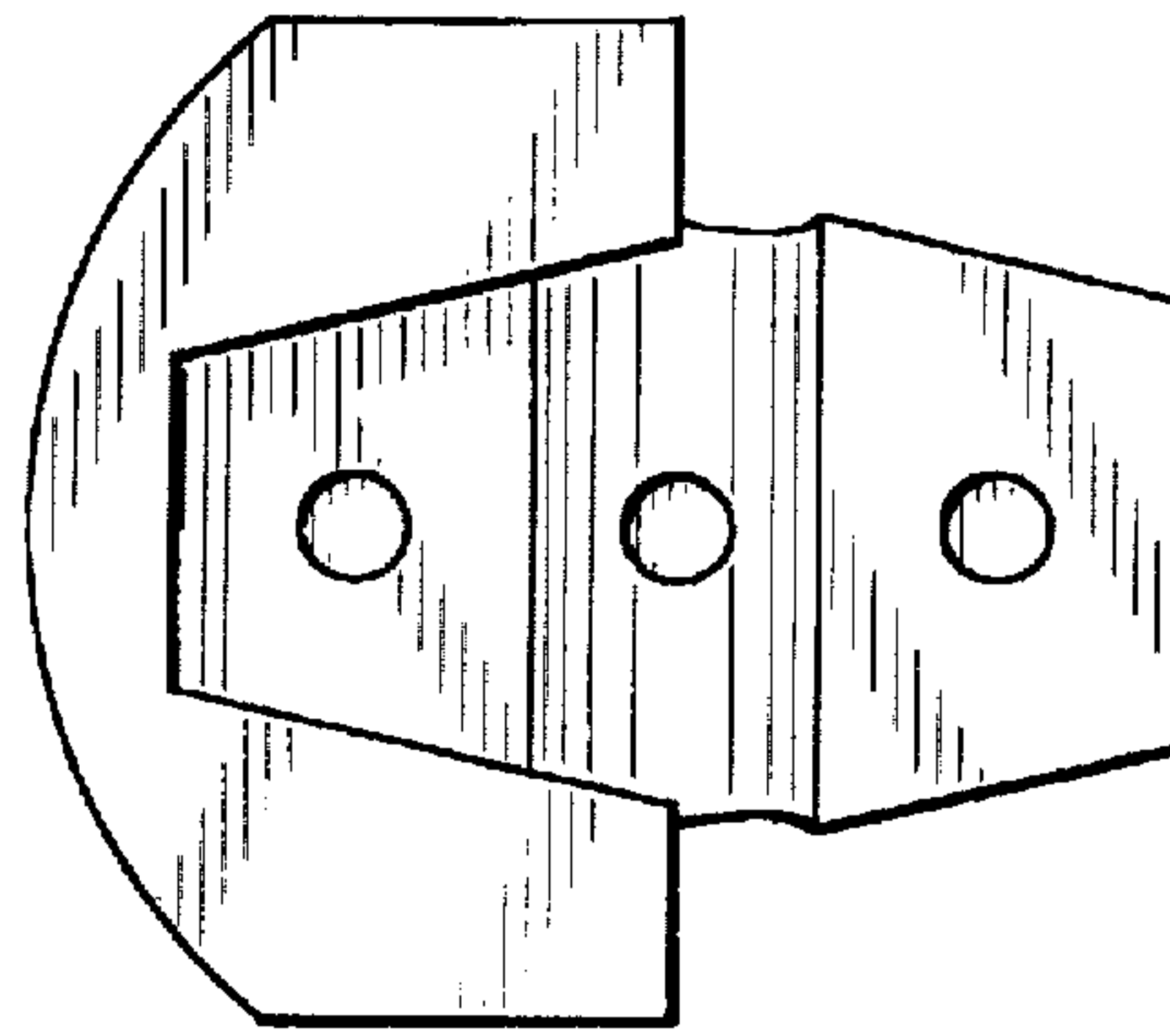


FIG. 5

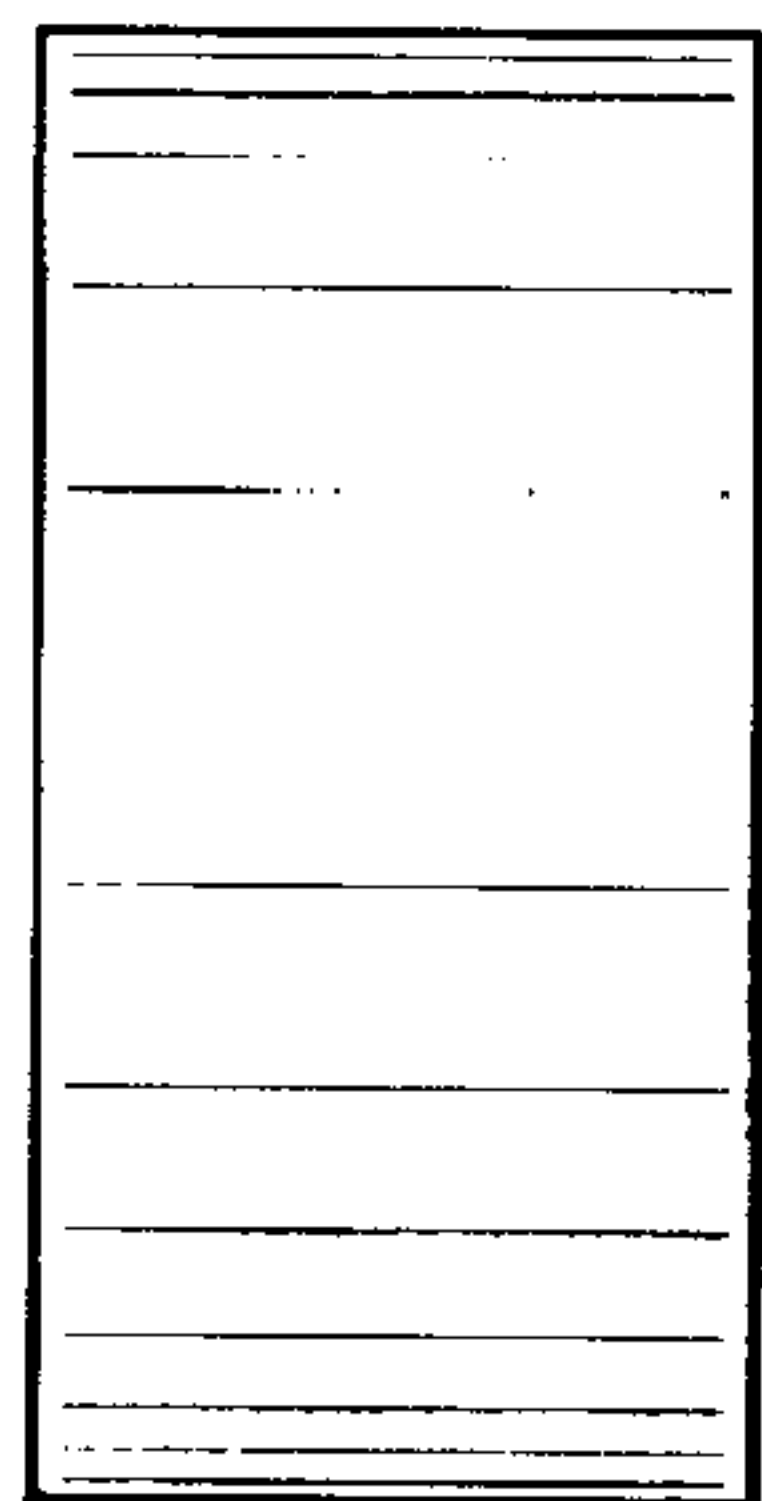
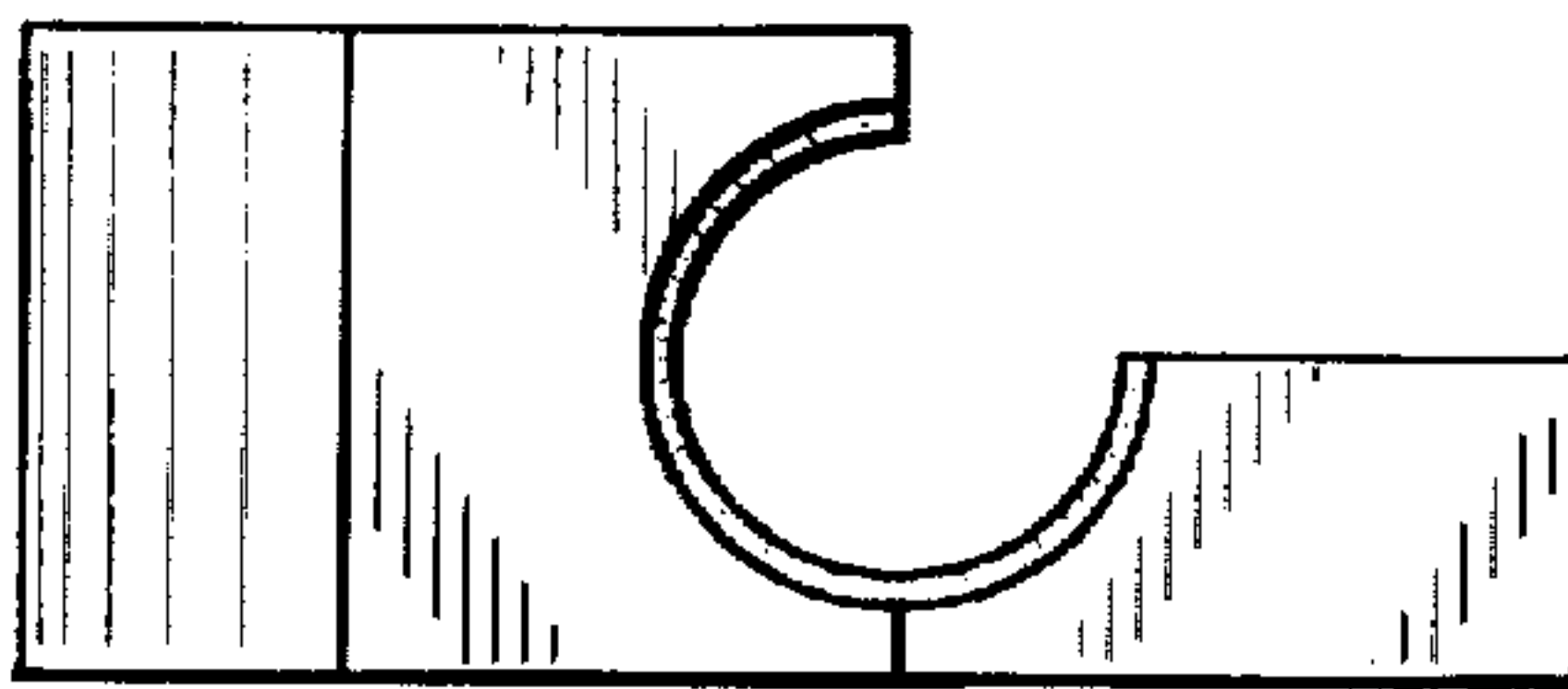


FIG. 6

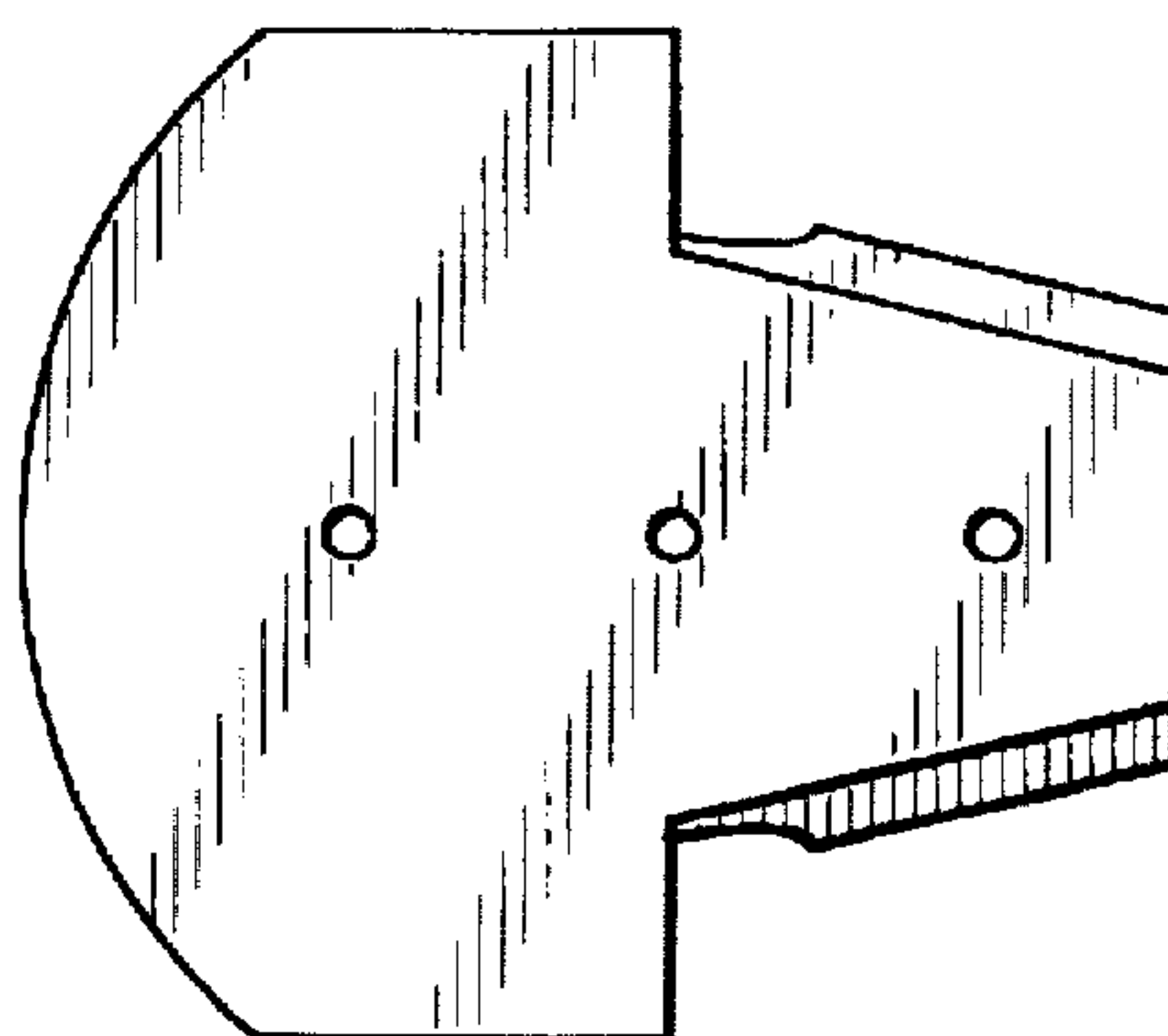


FIG. 7

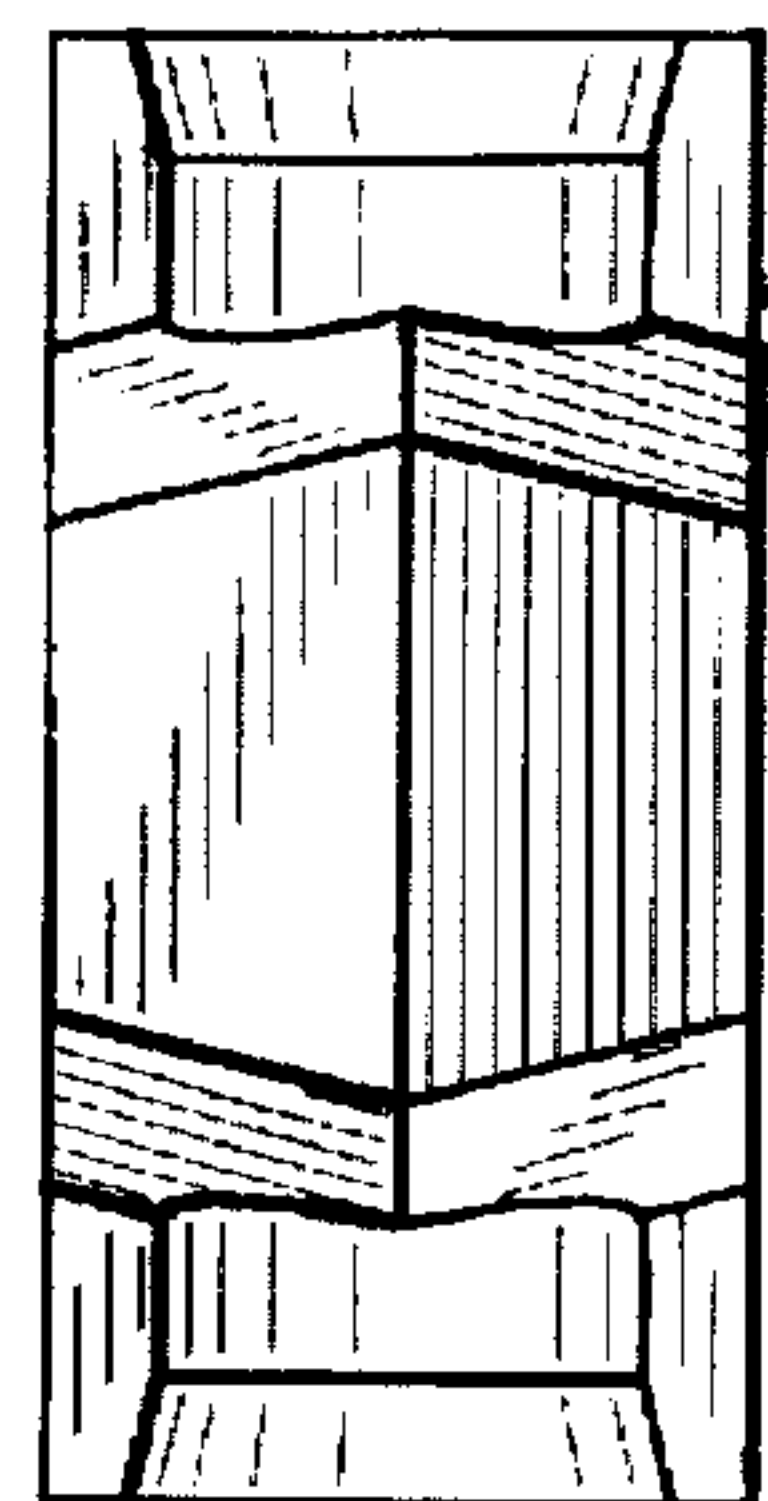


FIG. 8