



US00D386367S

United States Patent [19]
Rimback et al.

[11] **Patent Number: Des. 386,367**
[45] **Date of Patent: **Nov. 18, 1997**

[54] **LANDSCAPE TIMBER CONNECTING SYSTEM MEMBER**

[75] **Inventors: Peter Rimback, Village of Oakwood; James Vidmar, Willoughby, both of Ohio**

[73] **Assignee: Hanover Catalog Holdings, Inc., Weehawken, N.J.**

[**] **Term: 14 Years**

[21] **Appl. No.: 55,306**

[22] **Filed: May 31, 1996**

[51] **LOC (6) Cl. 08-01**

[52] **U.S. Cl. D8/1; D8/382**

[58] **Field of Search D8/1, 354, 356, D8/382, 384, 394; D25/35, 113, 118, 131, 133, 199, 164; 47/23, 33, 41.14; 52/102, 103, 155, 156, 590.2, 653.2; 403/65, 93, 169, 170, 205, 217, 381**

[56] **References Cited**

U.S. PATENT DOCUMENTS

- D. 293,766 1/1988 Lamb D8/356
- 3,343,301 9/1967 Adelman D25/113 X
- 3,537,687 11/1970 Adelman 256/19
- 3,545,128 12/1970 La Fontaine et al. 47/33

- 3,916,563 11/1975 Tedesh 47/33
- 4,826,344 5/1989 Rakiec 403/205
- 4,971,475 11/1990 Castonguay et al. 404/7
- 5,168,678 12/1992 Scott, Jr. et al. 52/102
- 5,230,187 7/1993 Reimann 52/102
- 5,291,703 3/1994 Johnson 52/103
- 5,468,092 11/1995 Saunders 403/65 X

Primary Examiner—Caron D. Veynar
Attorney, Agent, or Firm—Thompson Hine & Flory LLP

[57] **CLAIM**

The ornamental design for a landscape timber connecting system member, as shown and described.

DESCRIPTION

FIG. 1 is a front perspective view of a landscape timber connecting system member embodying our new design, taken from above and the right, the broken line showing of a second member is for illustrative purposes only and forms no part of the claimed design;

FIG. 2 is a perspective front view thereof;

FIG. 3 is a perspective rear view thereof;

FIG. 4 is a front elevational view thereof;

FIG. 5 is a top plan view thereof, the bottom plan view being a mirror image;

FIG. 6 is a right side elevational view thereof;

FIG. 7 is a rear elevational view thereof; and,

FIG. 8 is a left side elevational view thereof.

1 Claim, 2 Drawing Sheets

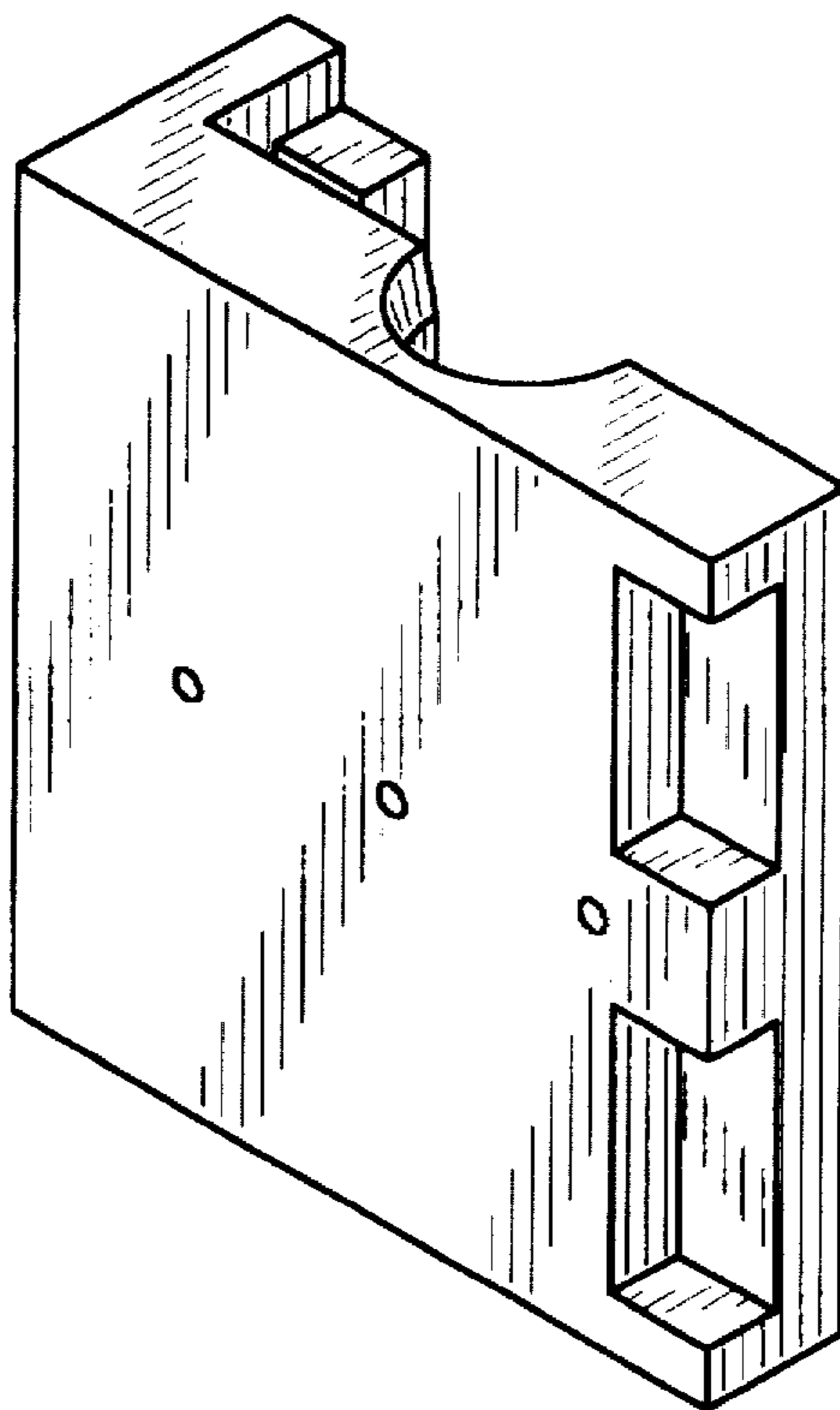


FIG. 1

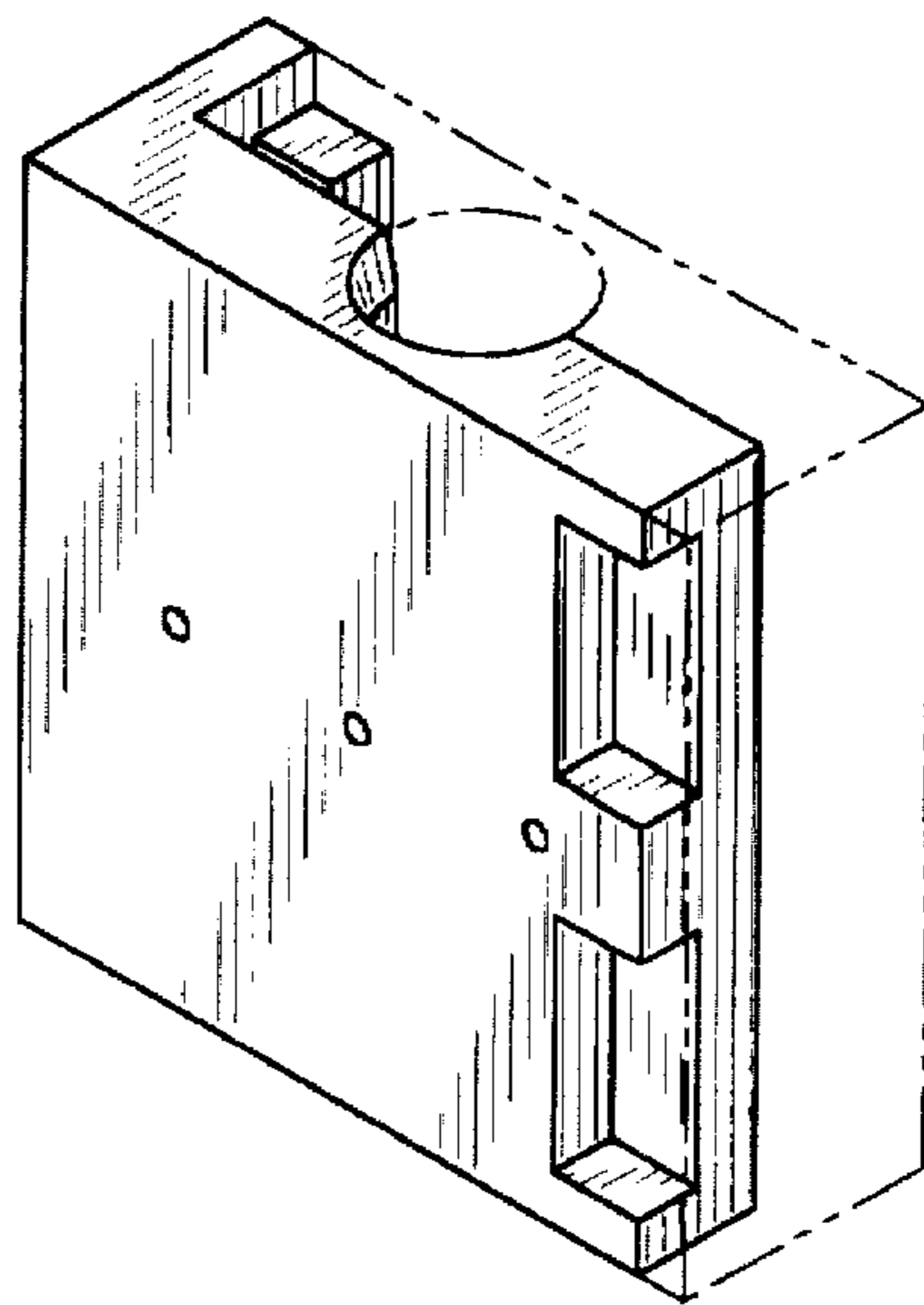


FIG. 2

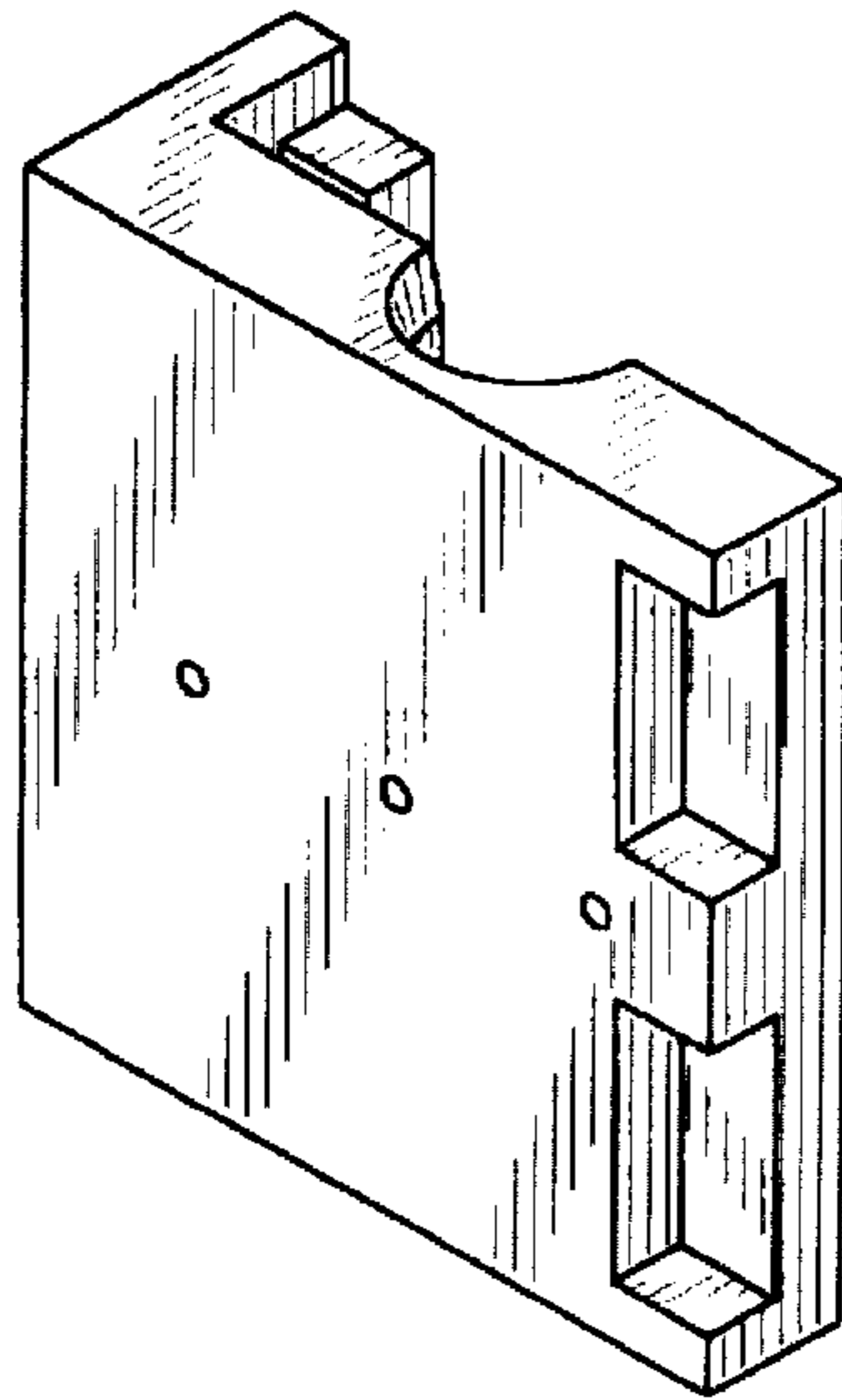


FIG. 3

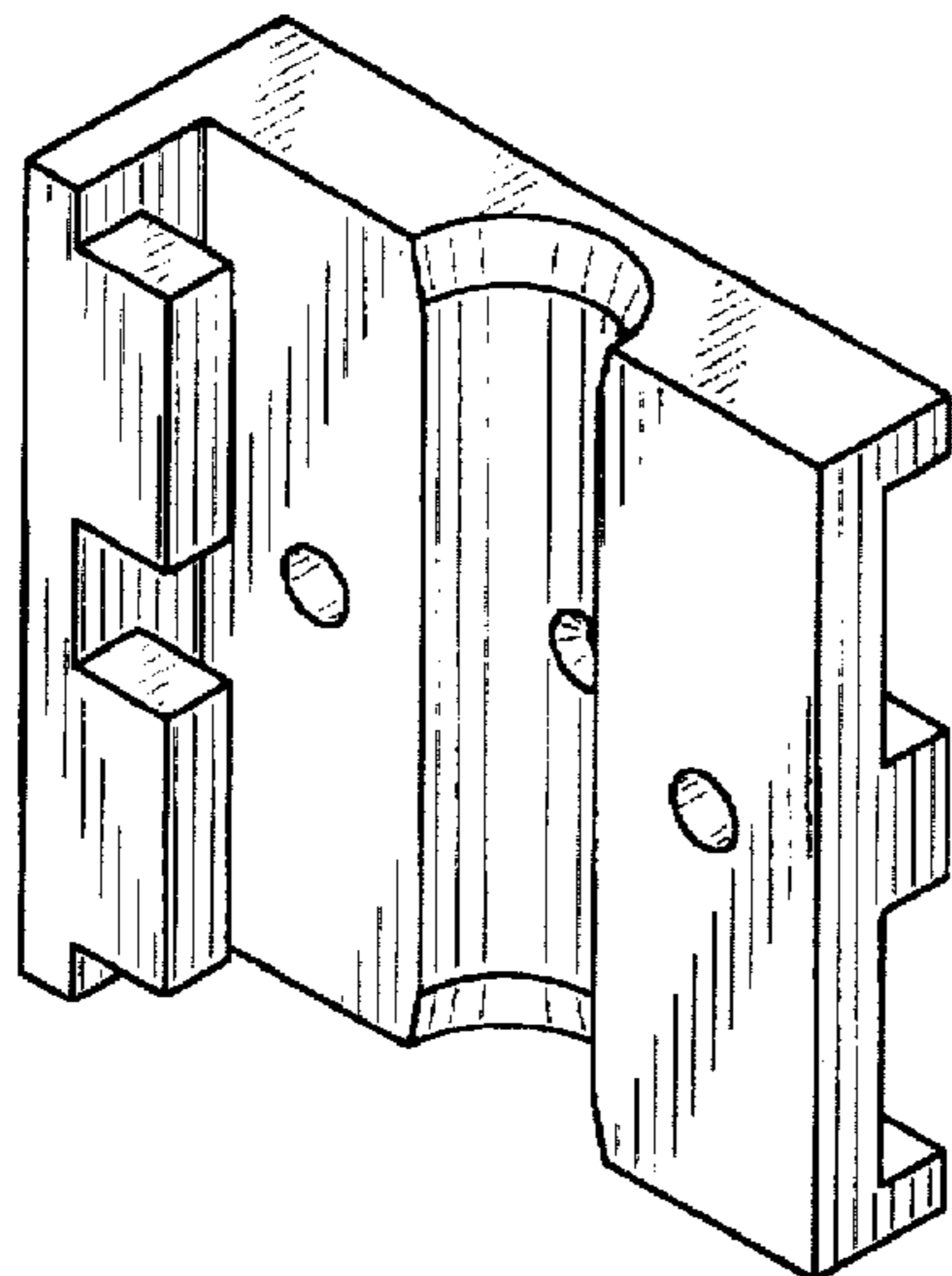


FIG. 4

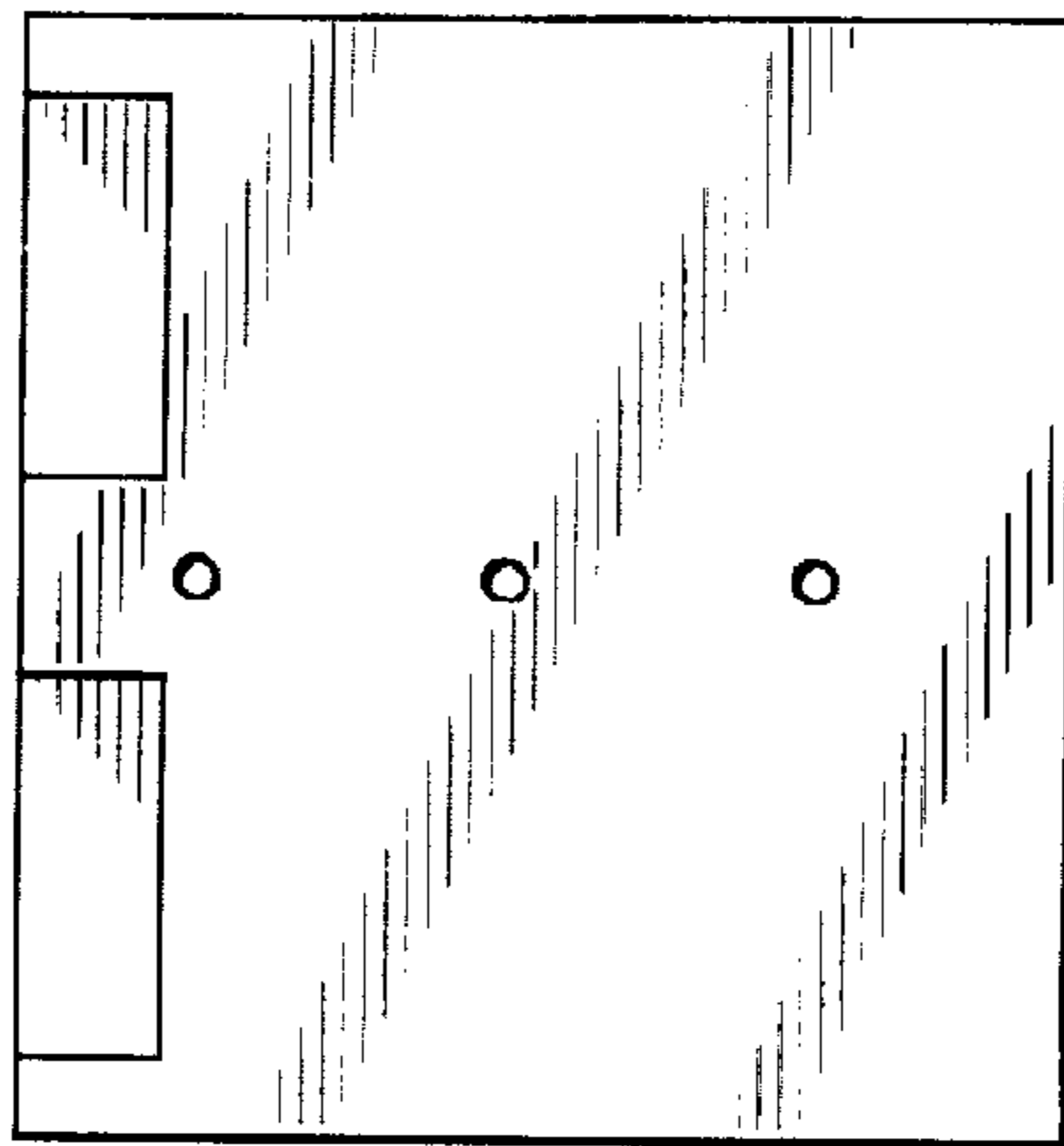


FIG. 5

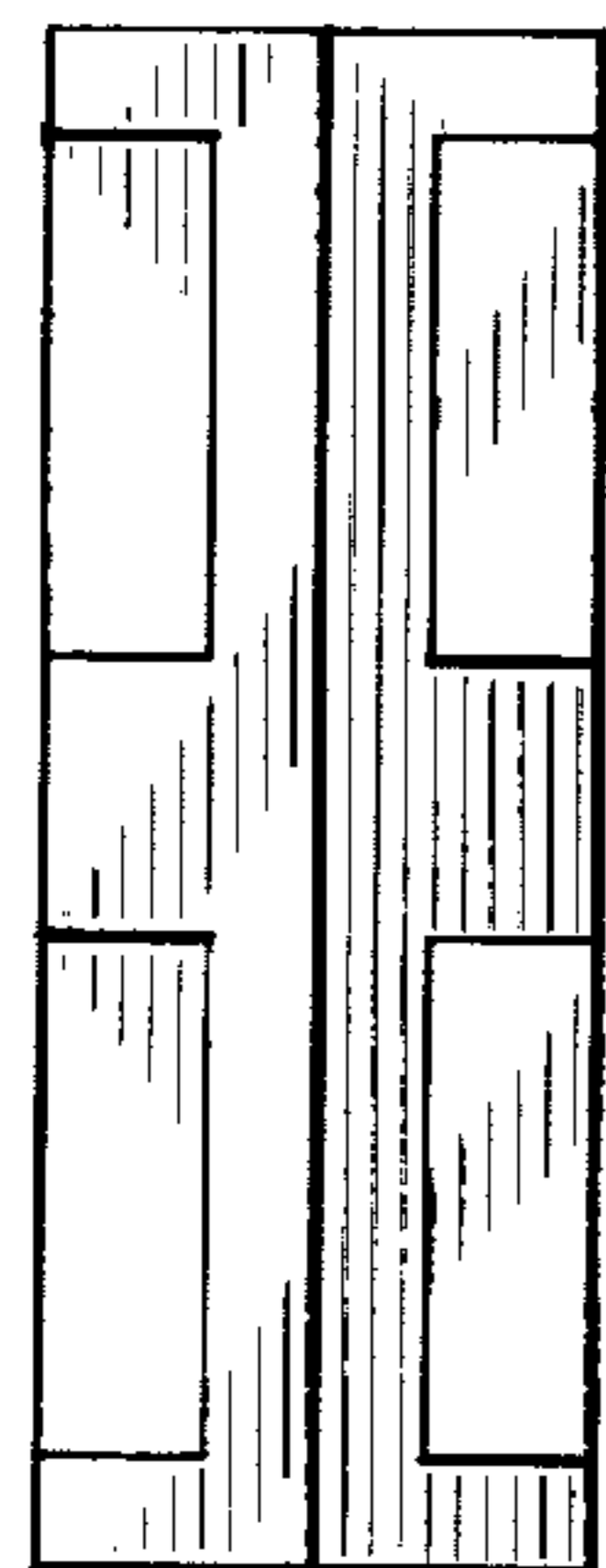
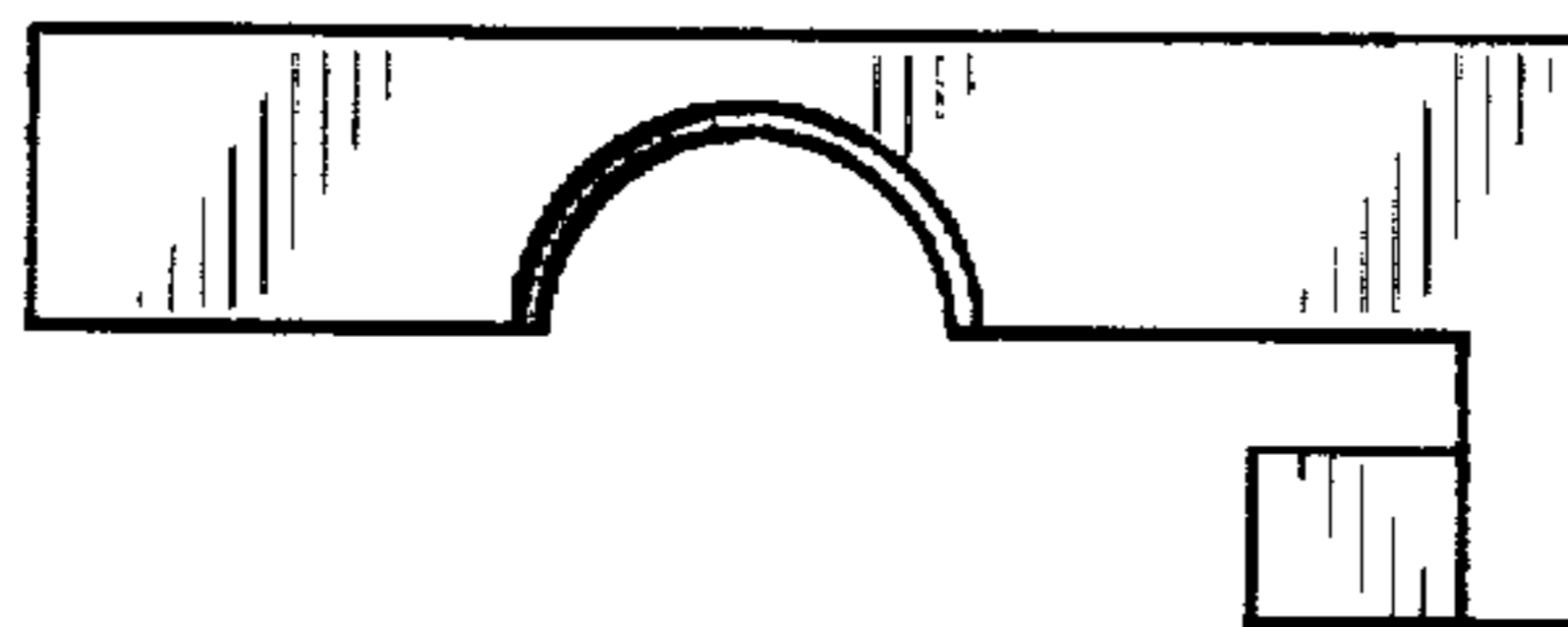


FIG. 6

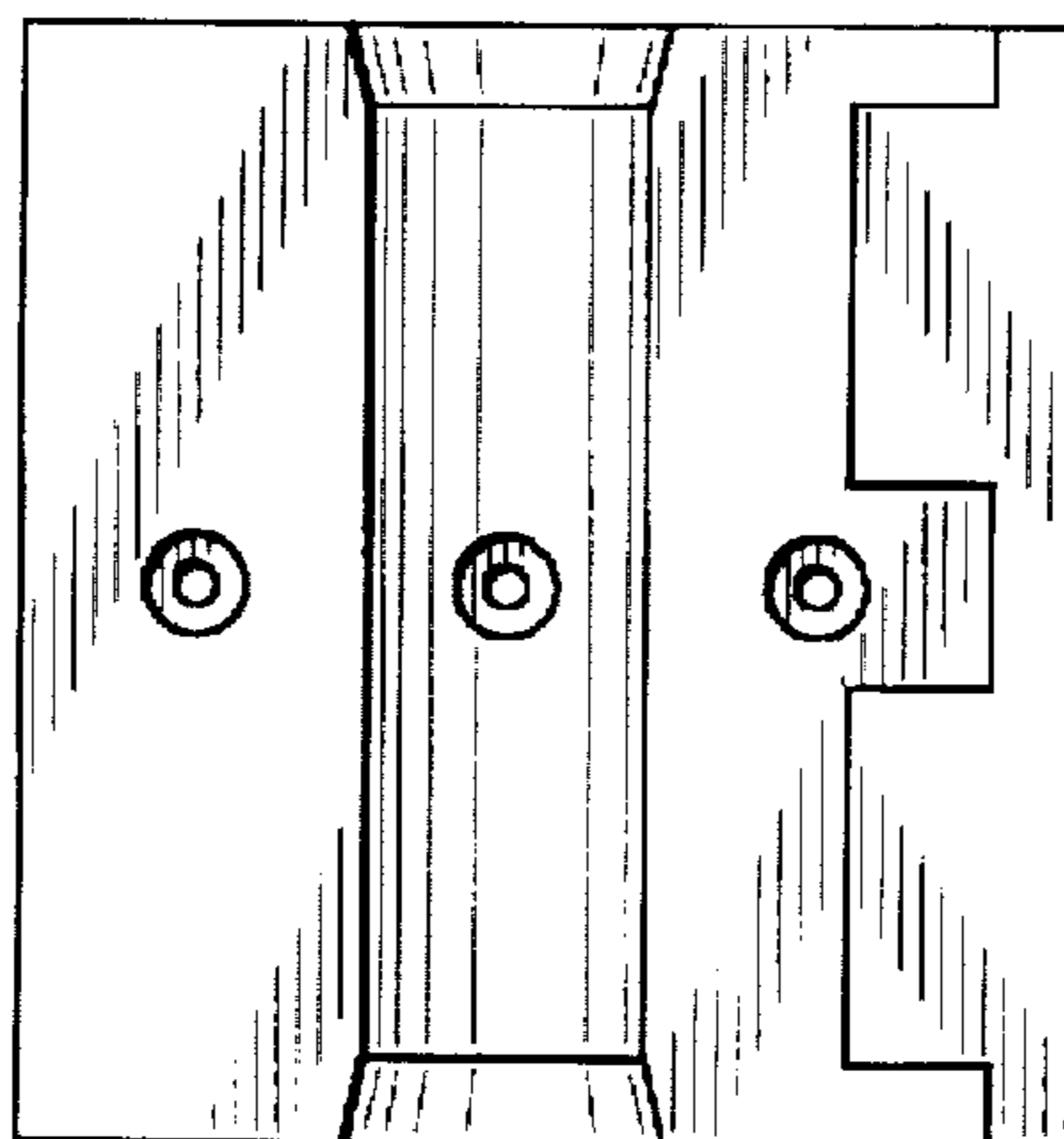


FIG. 7

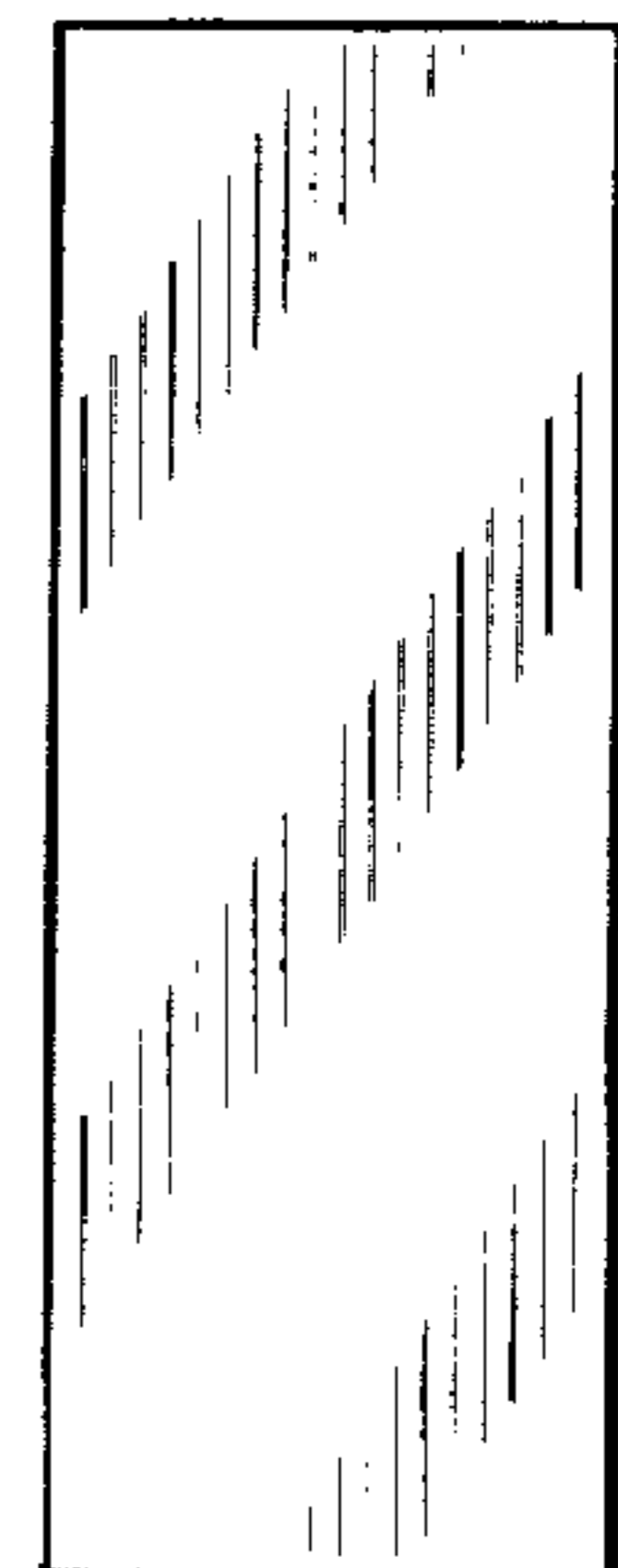


FIG. 8