



US00D386366S

United States Patent [19]
Rimback et al.

[11] **Patent Number: Des. 386,366**
[45] **Date of Patent: **Nov. 18, 1997**

[54] **LANDSCAPE TIMBER CONNECTING SYSTEM MEMBER**

4,971,475 11/1990 Castonguay et al. 404/7
5,168,678 12/1992 Scott, Jr. et al. 52/102
5,230,187 7/1993 Reimann 52/102
5,291,703 3/1994 Johnson 52/282.2

[75] Inventors: **Peter Rimback**, Village of Oakwood;
James Vidmar, Willoughby, both of Ohio

Primary Examiner—Caron D. Veynar
Attorney, Agent, or Firm—Thompson Hine & Flory LLP

[73] Assignee: **Hanover Catalog Holdings, Inc.**,
Weehawken, N.J.

[57] **CLAIM**

[**] Term: **14 Years**

The ornamental design for a landscape timber connecting system member, as shown and described.

[21] Appl. No.: **55,206**

DESCRIPTION

[22] Filed: **May 31, 1996**

FIG. 1 is a front, left and top perspective view of a landscape timber connecting system member embodying our new design, the broken line showing of a second member is for illustrative purposes only and forms no part of the claimed design;

[51] **LOC (6) Cl.** **08-01**

[52] **U.S. Cl.** **D8/1; D8/382**

[58] **Field of Search** D8/1, 354, 356,
D8/382, 394; D11/164; D25/100, 113; 47/23,
33, 70; 403/65, 205; 248/27.8, 156

FIG. 2 is a perspective view thereof;

FIG. 3 is an exploded perspective view thereof;

FIG. 4 is an exploded perspective view thereof, taken from below and to the right;

FIG. 5 is a top plan view thereof;

FIG. 6 is a front elevational view thereof, the rear elevational view being a mirror image;

FIG. 7 is bottom plan view thereof;

FIG. 8 is a right side elevational view thereof; and,

FIG. 9 is left side elevational view thereof.

[56] **References Cited**

U.S. PATENT DOCUMENTS

| | | | | |
|------------|---------|--------------------|-------|-----------|
| D. 277,727 | 2/1985 | Klaric | | D8/382 |
| 1,898,297 | 2/1933 | Fox | | D25/113 X |
| 3,537,687 | 11/1970 | Adelman | | 256/19 |
| 3,545,128 | 12/1970 | La Fontaine et al. | | 47/33 |
| 3,916,563 | 11/1975 | Tedesh | | 47/33 |
| 4,884,920 | 12/1989 | Perazzi | | 47/33 X |

1 Claim, 4 Drawing Sheets

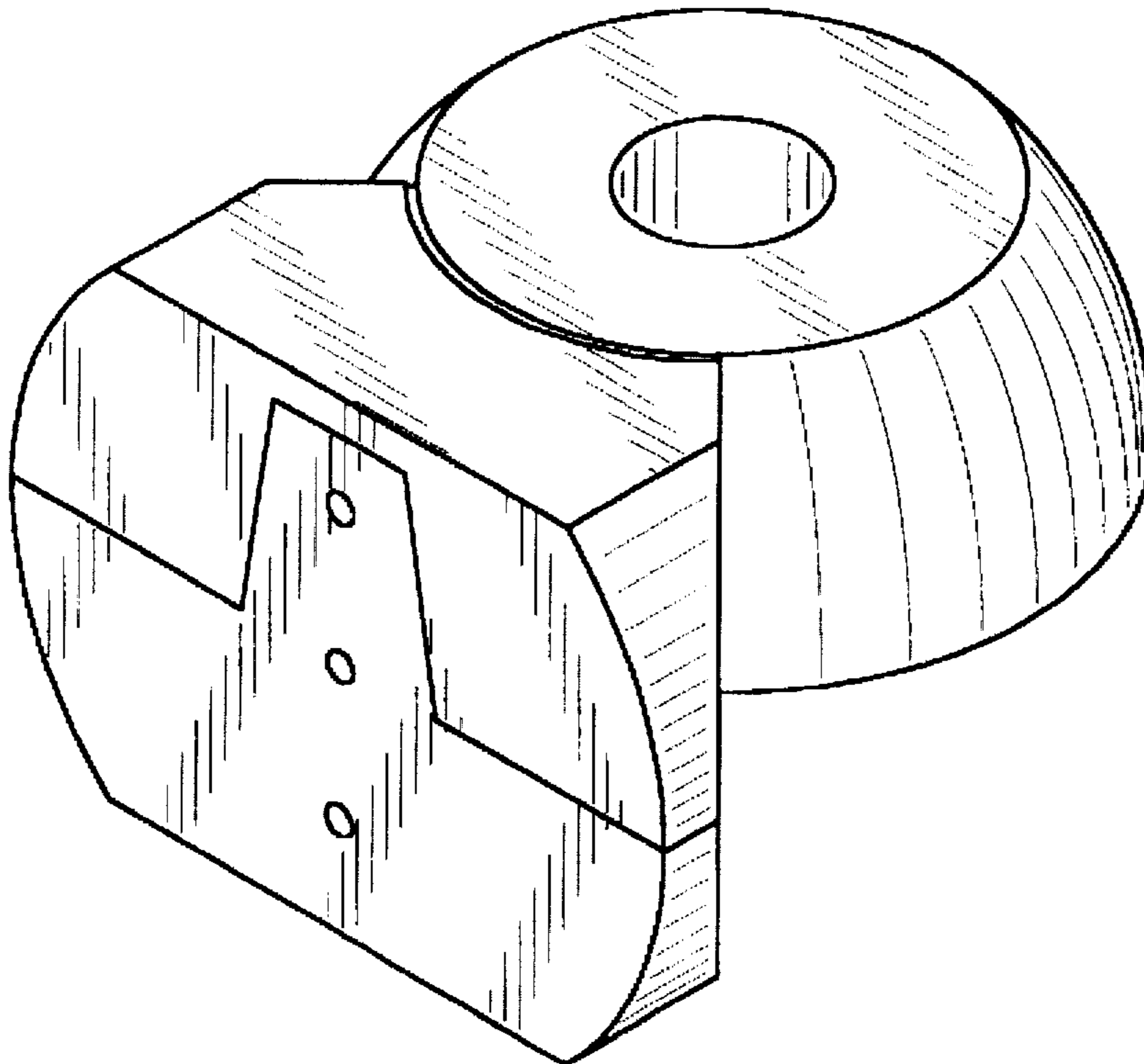


FIG. 1

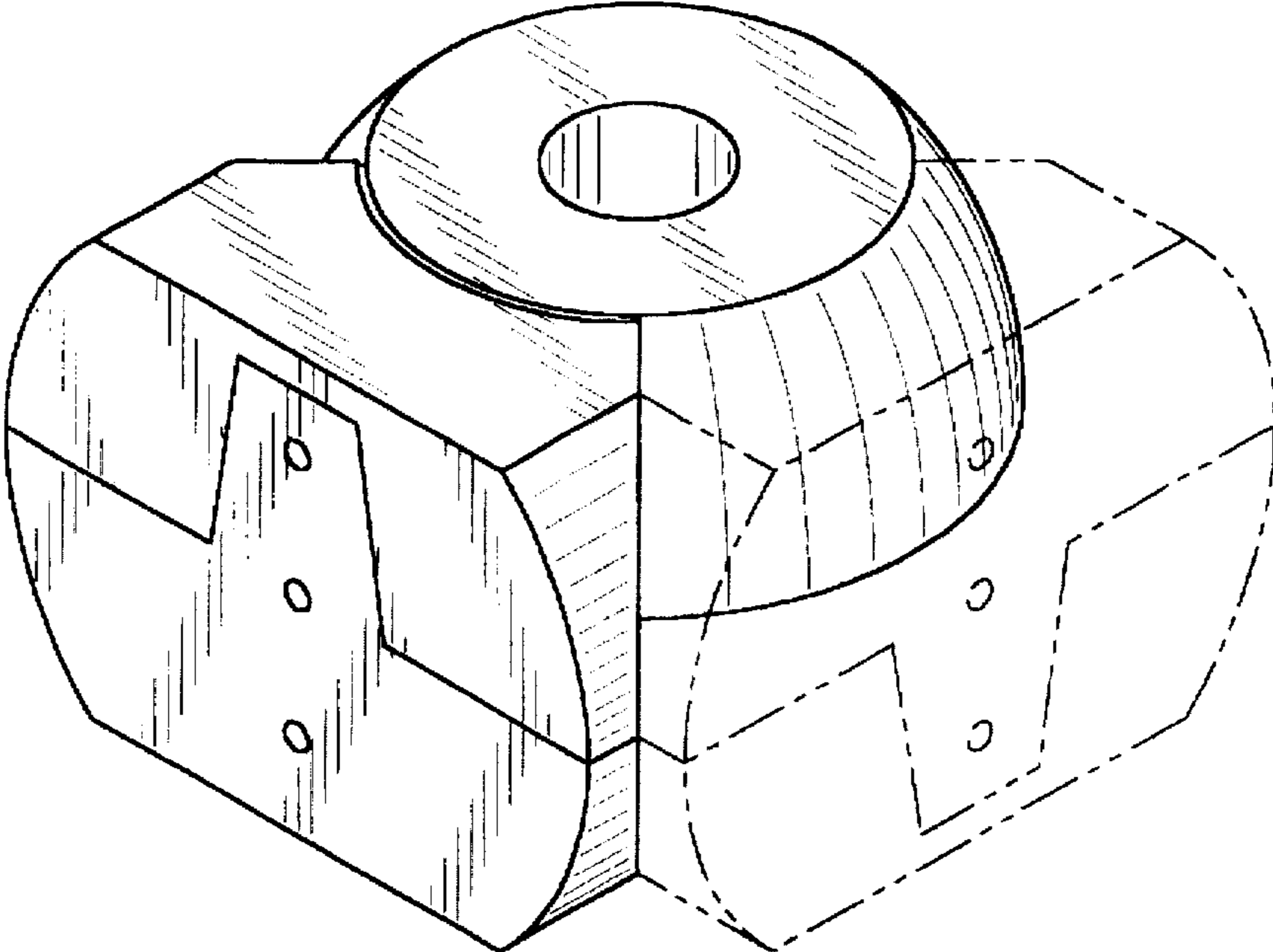
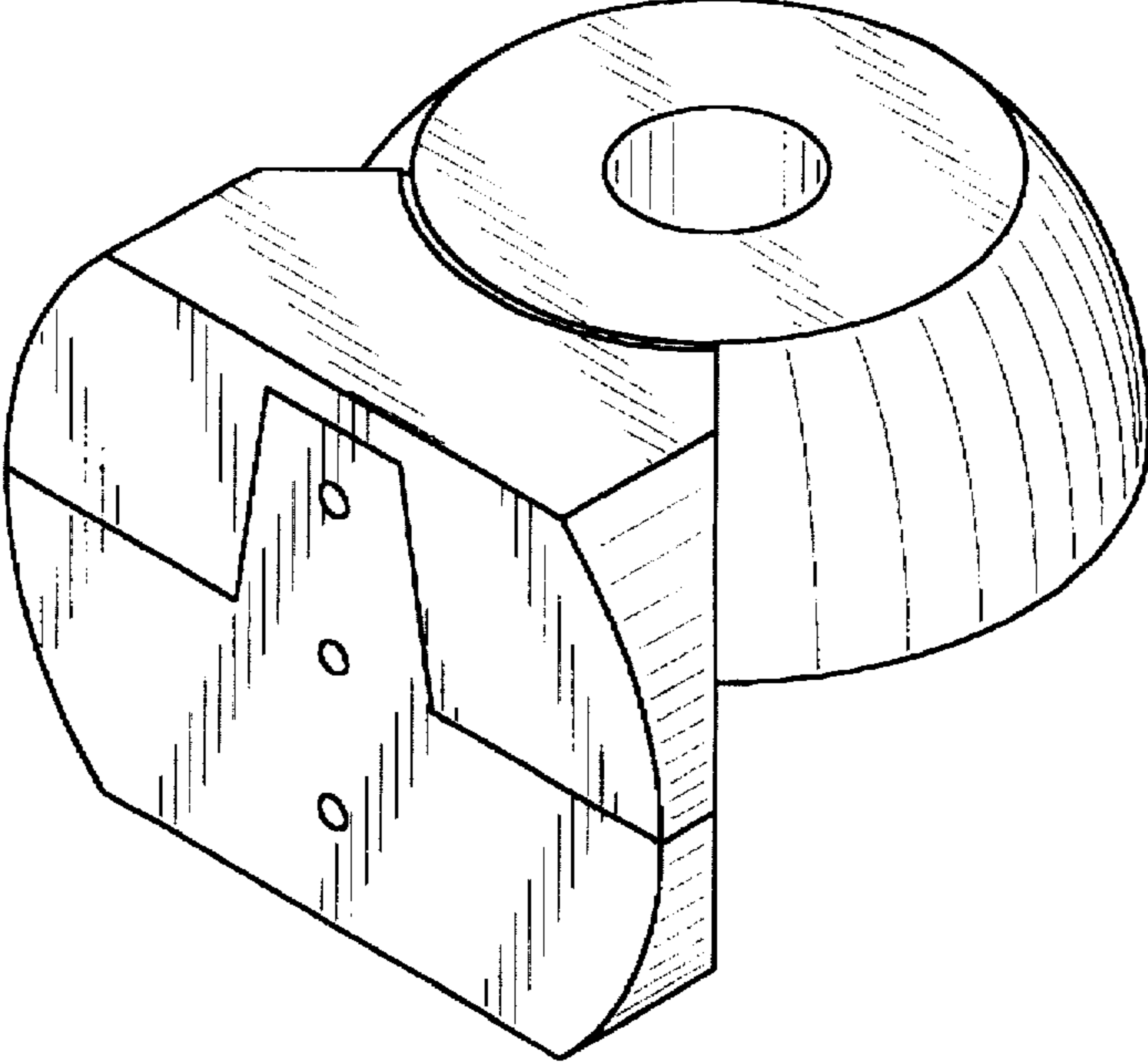


FIG. 2



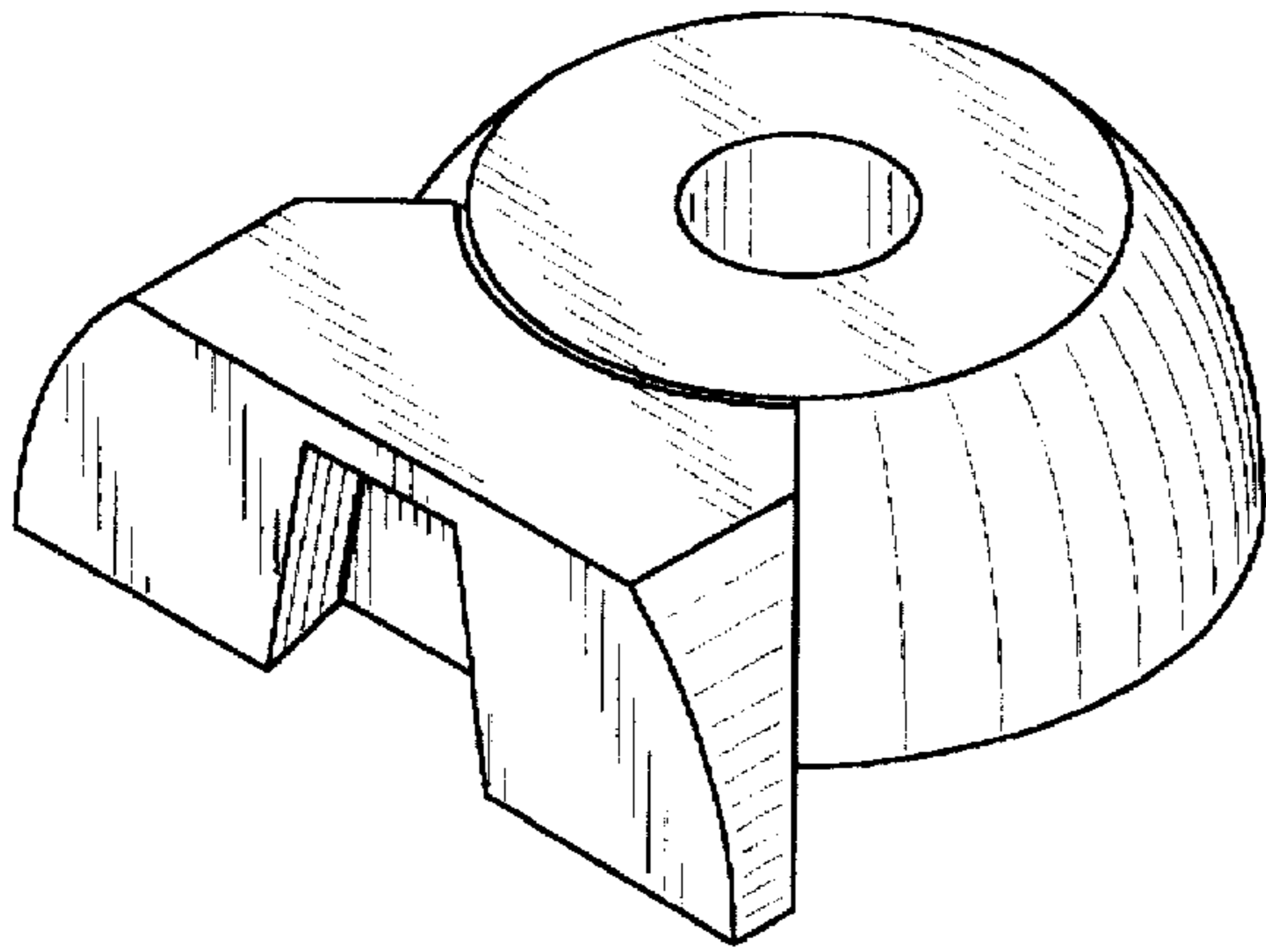


FIG. 3

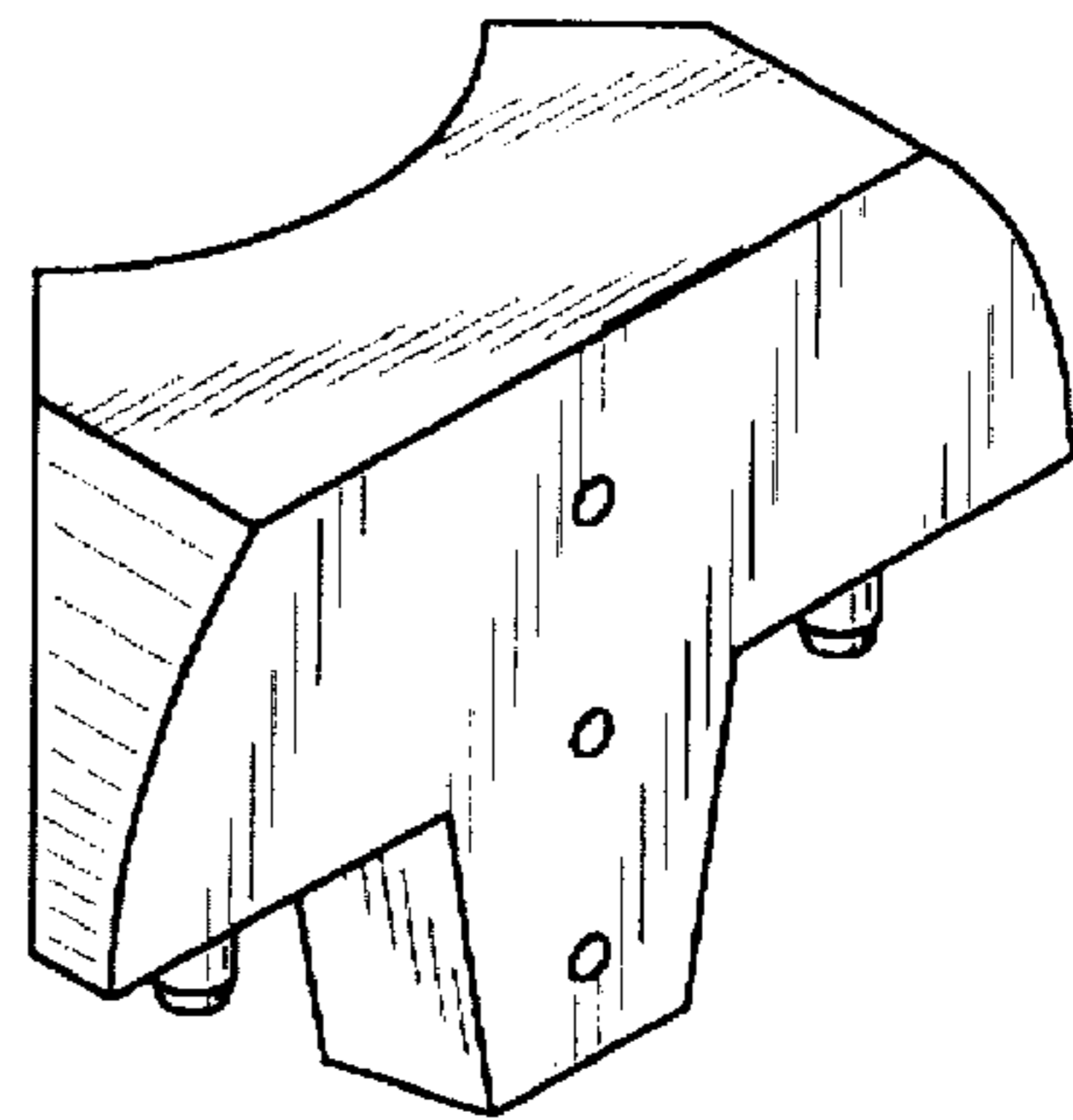
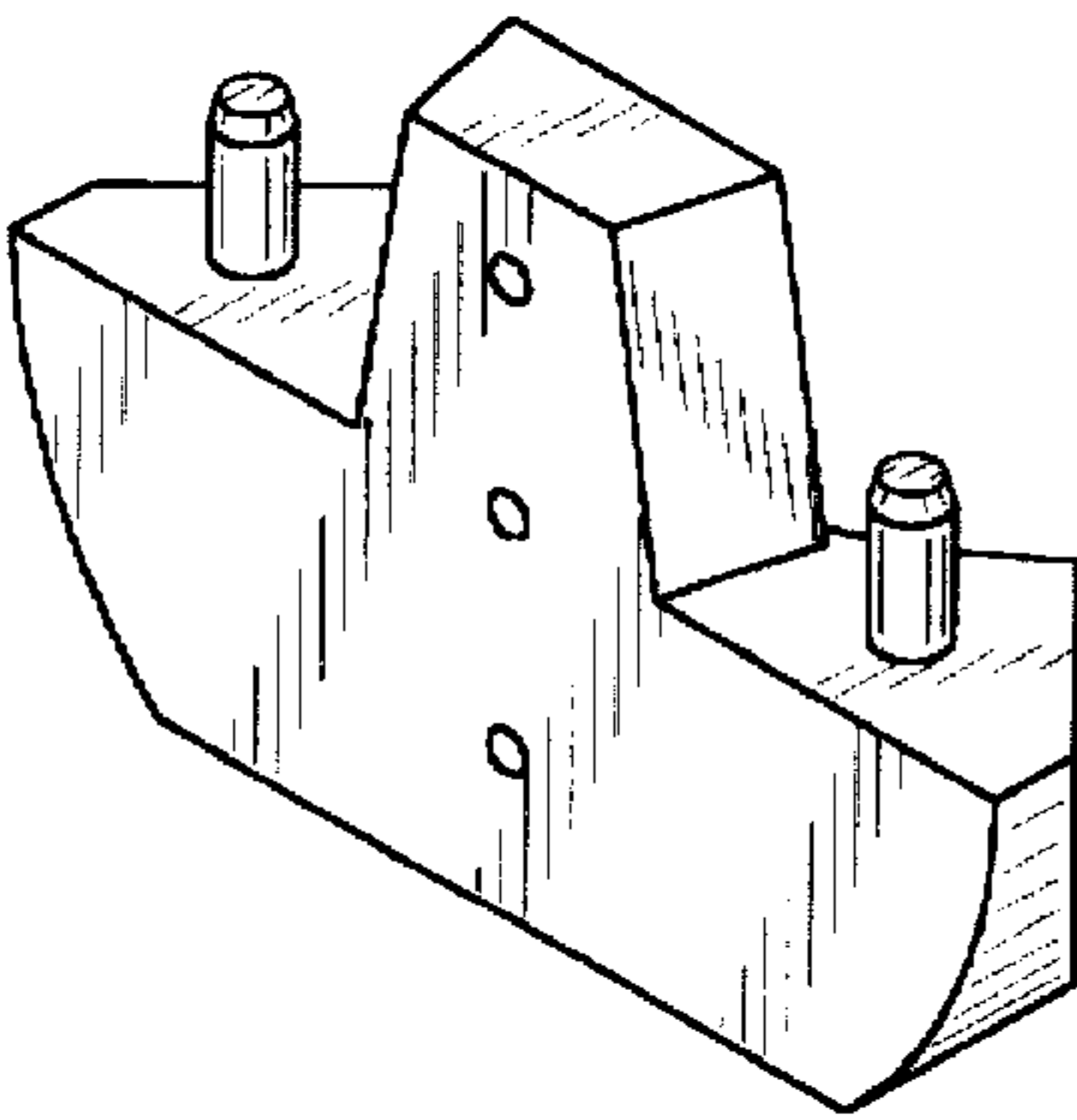


FIG. 4

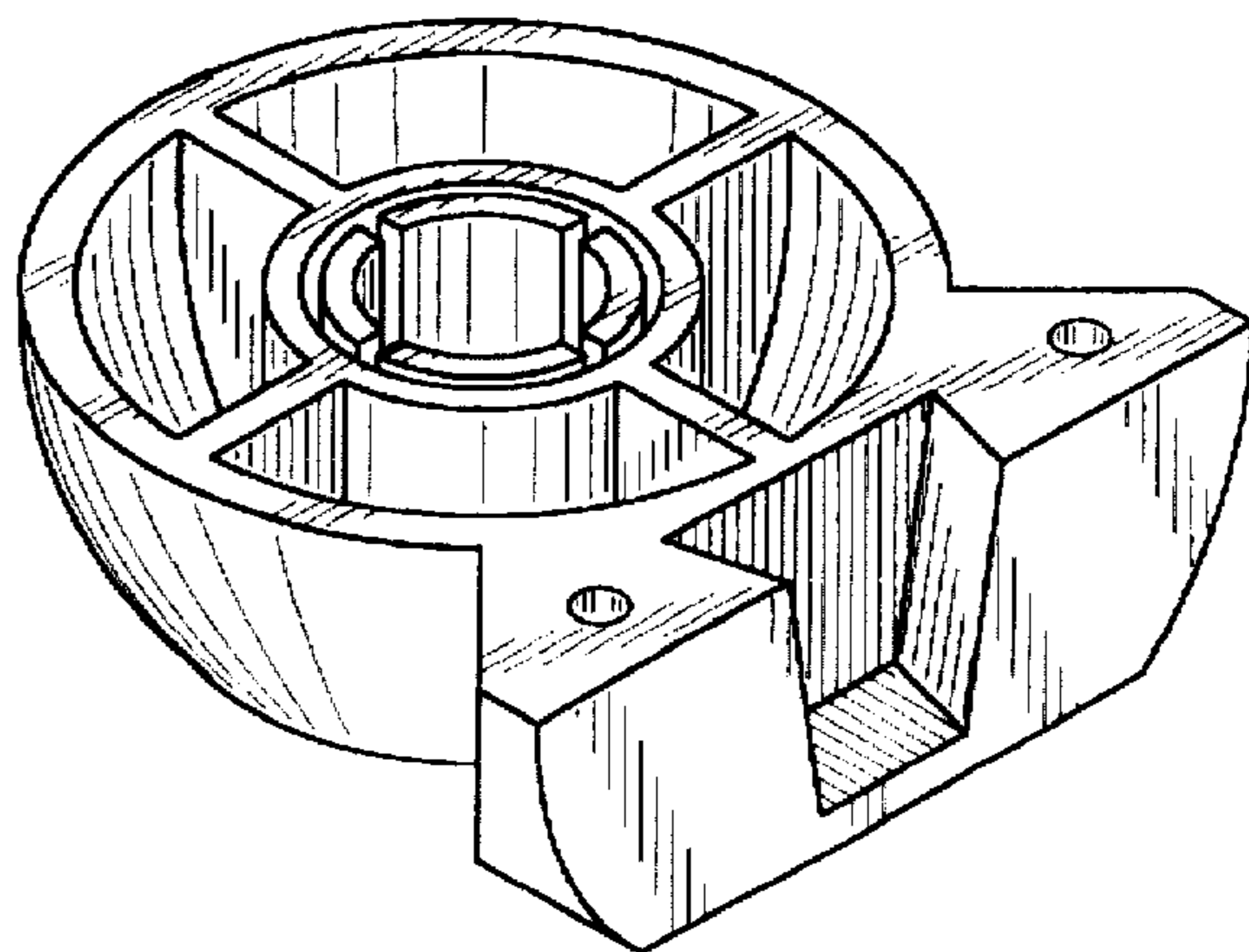


FIG. 5

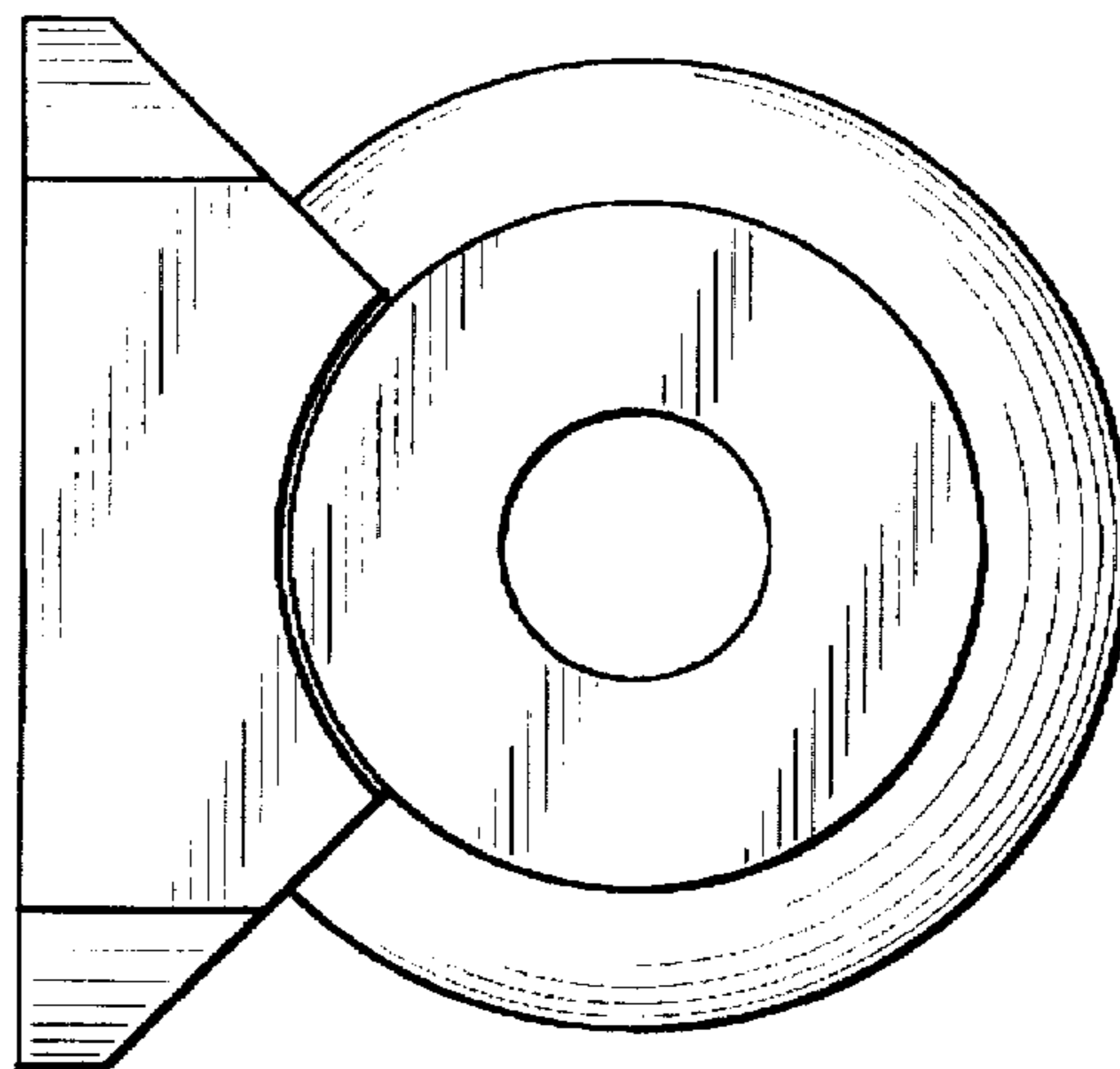


FIG. 6

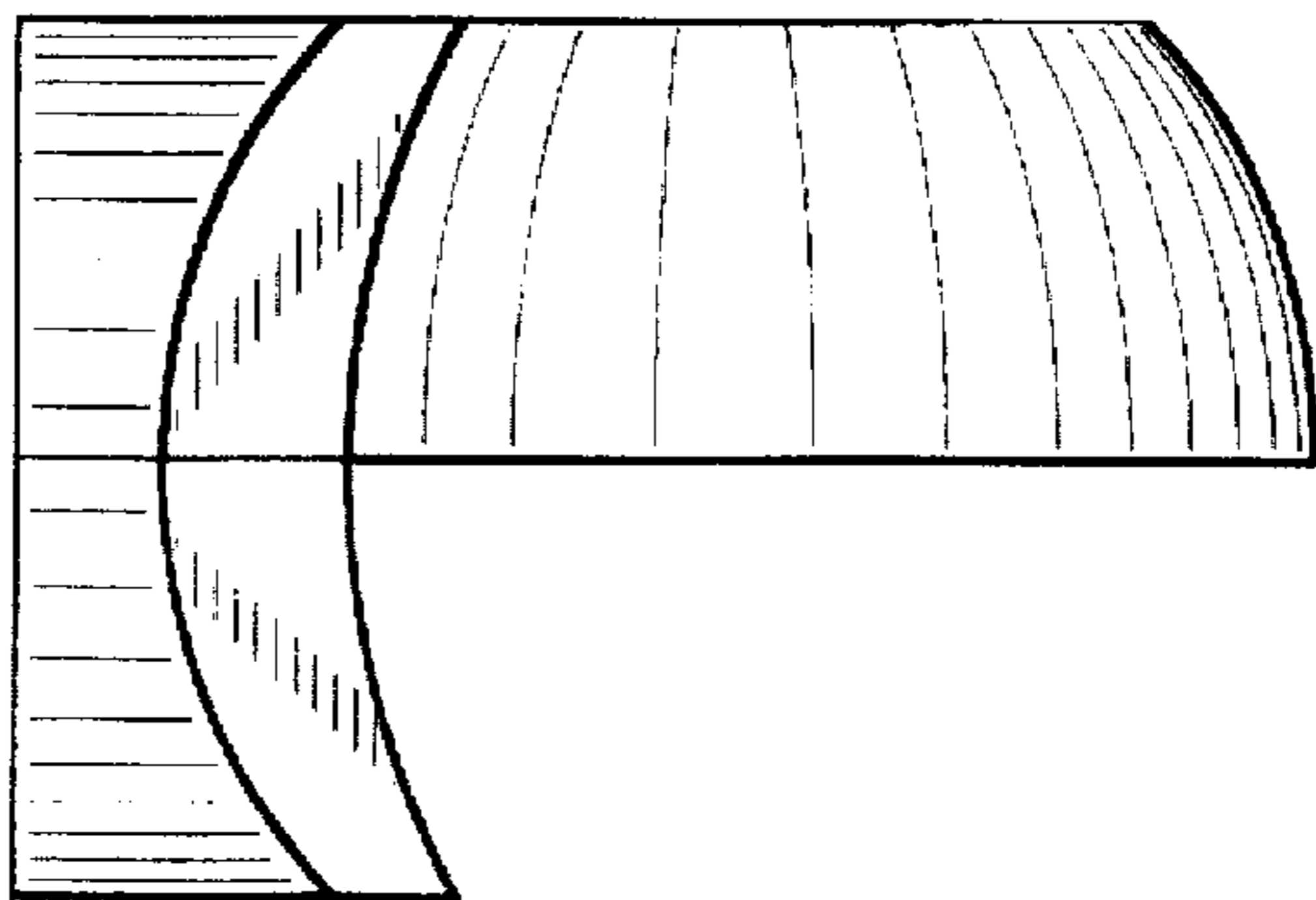
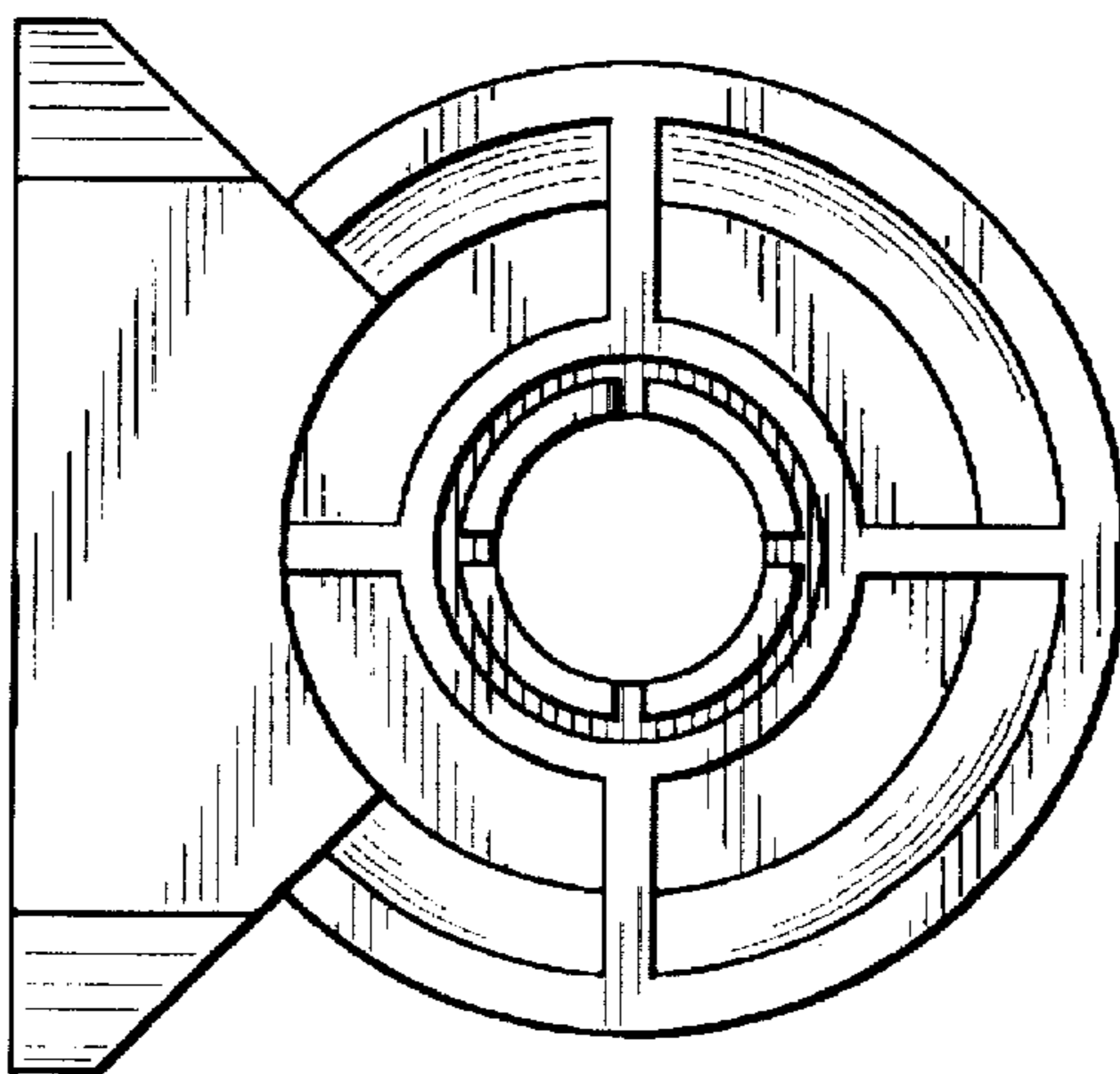


FIG. 7



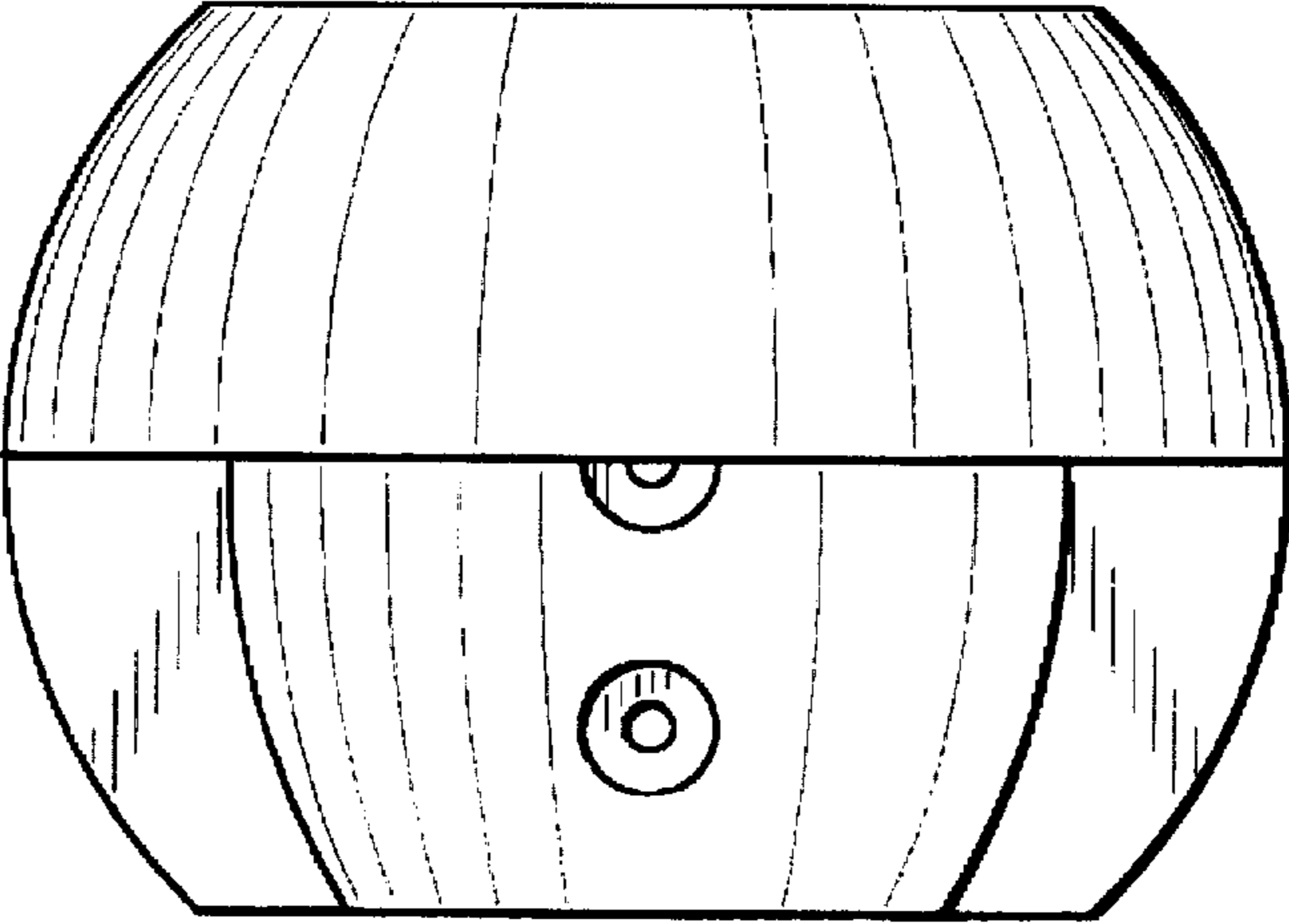


FIG. 8

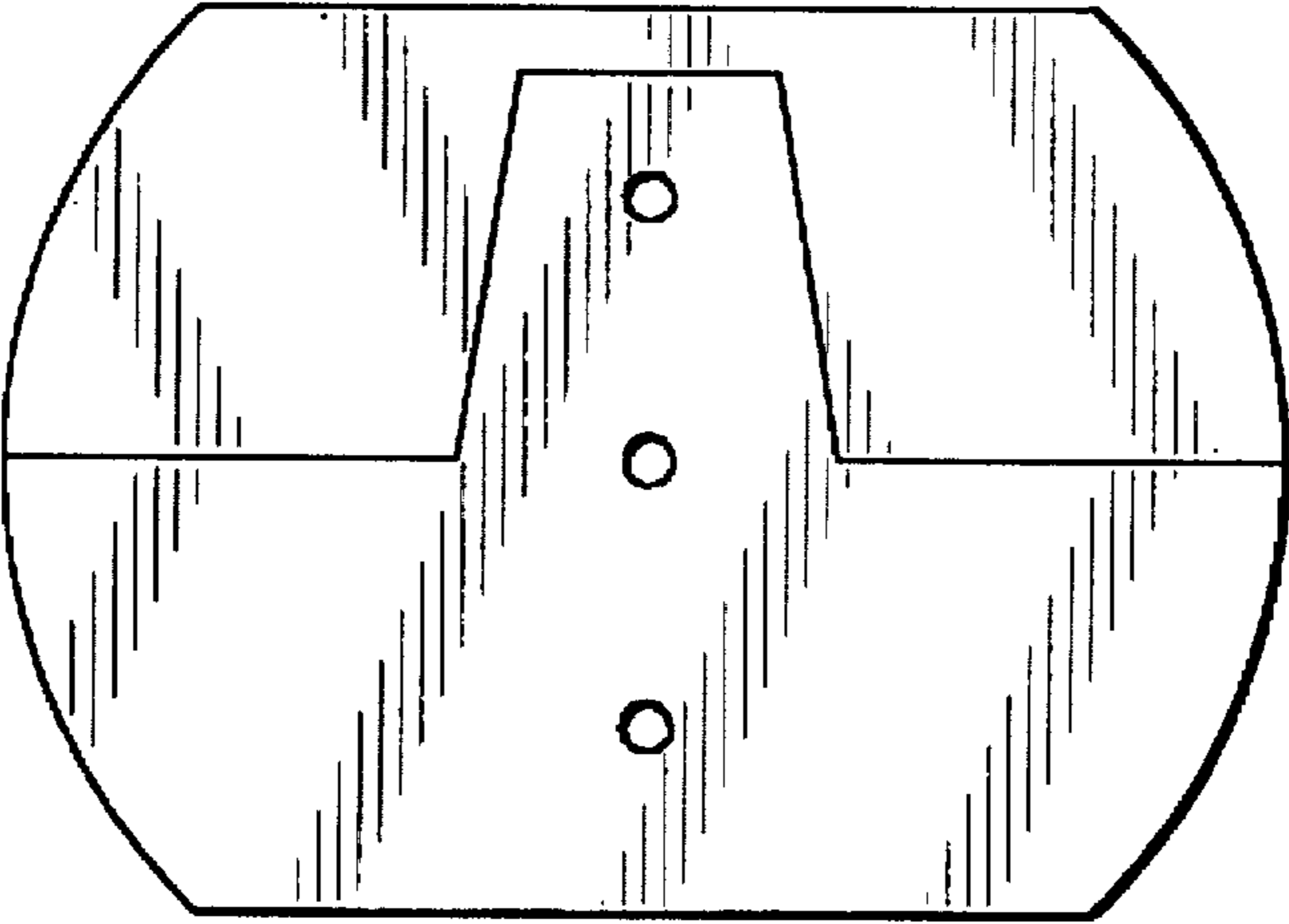


FIG. 9