



US00D386365S

**United States Patent** [19]  
**Rimback et al.**

[11] **Patent Number:** **Des. 386,365**  
[45] **Date of Patent:** **\*\*Nov. 18, 1997**

[54] **LANDSCAPE TIMBER CONNECTING SYSTEM MEMBER**

[75] **Inventors:** **Peter Rimback**, Village of Oakwood;  
**James F. Vidmar**, Willoughby, both of Ohio

[73] **Assignee:** **Hanover Catalog Holdings, Inc.**, Weehawken, N.J.

[\*\*] **Term:** **14 Years**

[21] **Appl. No.:** **55,196**

[22] **Filed:** **May 31, 1996**

[51] **LOC (6) Cl.** ..... **08-01**

[52] **U.S. Cl.** ..... **D8/1; D8/382**

[58] **Field of Search** ..... **D8/1, 354, 356, D8/382, 384, 394; D25/35, 113, 118, 131, 133, 199, 164; 47/23, 33, 41.14; 52/102, 103, 155, 156, 590.2, 653.2; 403/65, 93, 169, 170, 205, 217, 381**

[56] **References Cited**

**U.S. PATENT DOCUMENTS**

D. 293,766	1/1988	Lamb	.....	D8/356
D. 340,996	11/1993	Woolbright	.....	D25/113
3,343,301	9/1967	Adelman	.....	D25/113 X
3,537,687	11/1970	Adelman	.....	256/19
3,545,128	12/1970	La Fontaine et al.	.....	47/33

3,916,563	11/1975	Tedesh	.....	47/33
4,826,344	5/1989	Rakiec	.....	403/205
4,971,475	11/1990	Castonguay et al.	.....	404/7
5,168,678	12/1992	Scott, Jr. et al.	.....	52/102
5,230,187	7/1993	Reimann	.....	52/102
5,291,703	3/1994	Johnson	.....	52/103
5,468,092	11/1995	Saunders	.....	403/65 X

*Primary Examiner*—Caron D. Veynar  
*Attorney, Agent, or Firm*—Thompson Hine & Flory LLP

[57] **CLAIM**

The ornamental design for a landscape timber connecting system member, as shown and described.

**DESCRIPTION**

FIG. 1 is a front perspective view of a landscape timber connecting system member embodying our new design, taken from above and the right, the broken line showing of a second member is for illustrative purposes only and forms no part of the claimed design;  
FIG. 2 is a perspective view thereof;  
FIG. 3 is a perspective, rear view thereof;  
FIG. 4 is a rear elevational view thereof;  
FIG. 5 is a top plan view thereof, the bottom plan view being a mirror image;  
FIG. 6 is a left side elevational view thereof;  
FIG. 7 is a front elevational view thereof; and,  
FIG. 8 is a right side elevational view thereof.

**1 Claim, 2 Drawing Sheets**

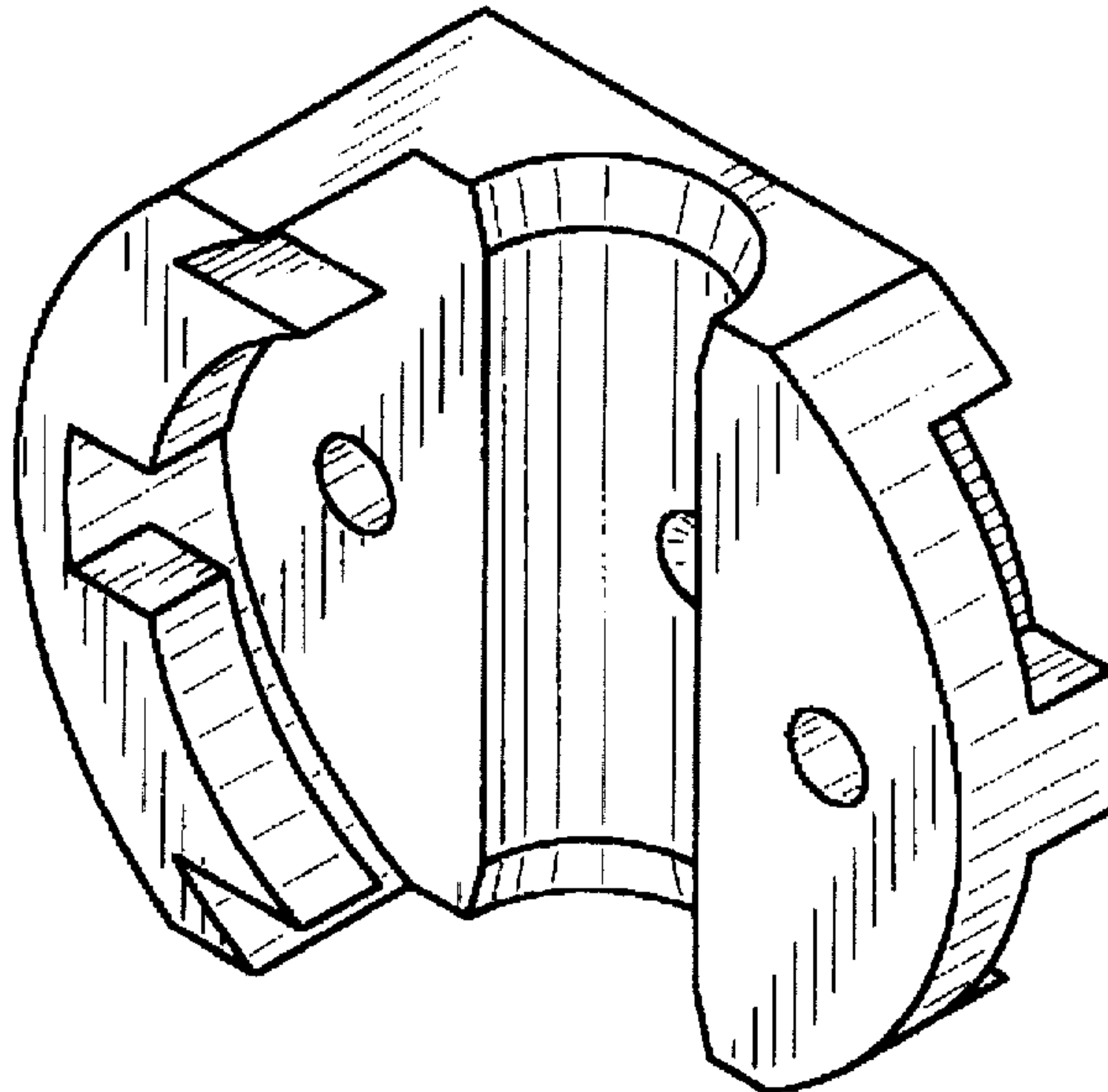


FIG. 1

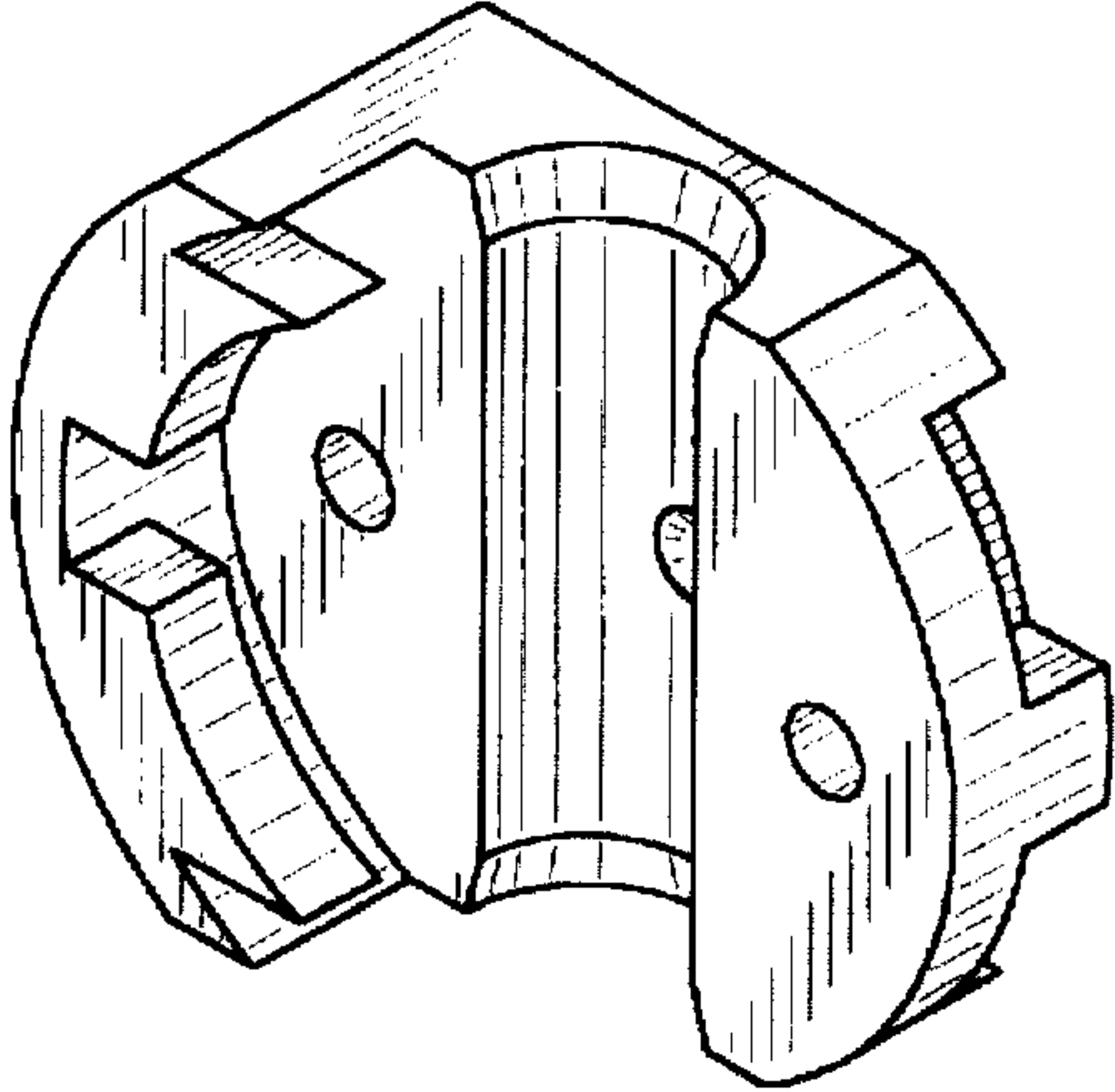
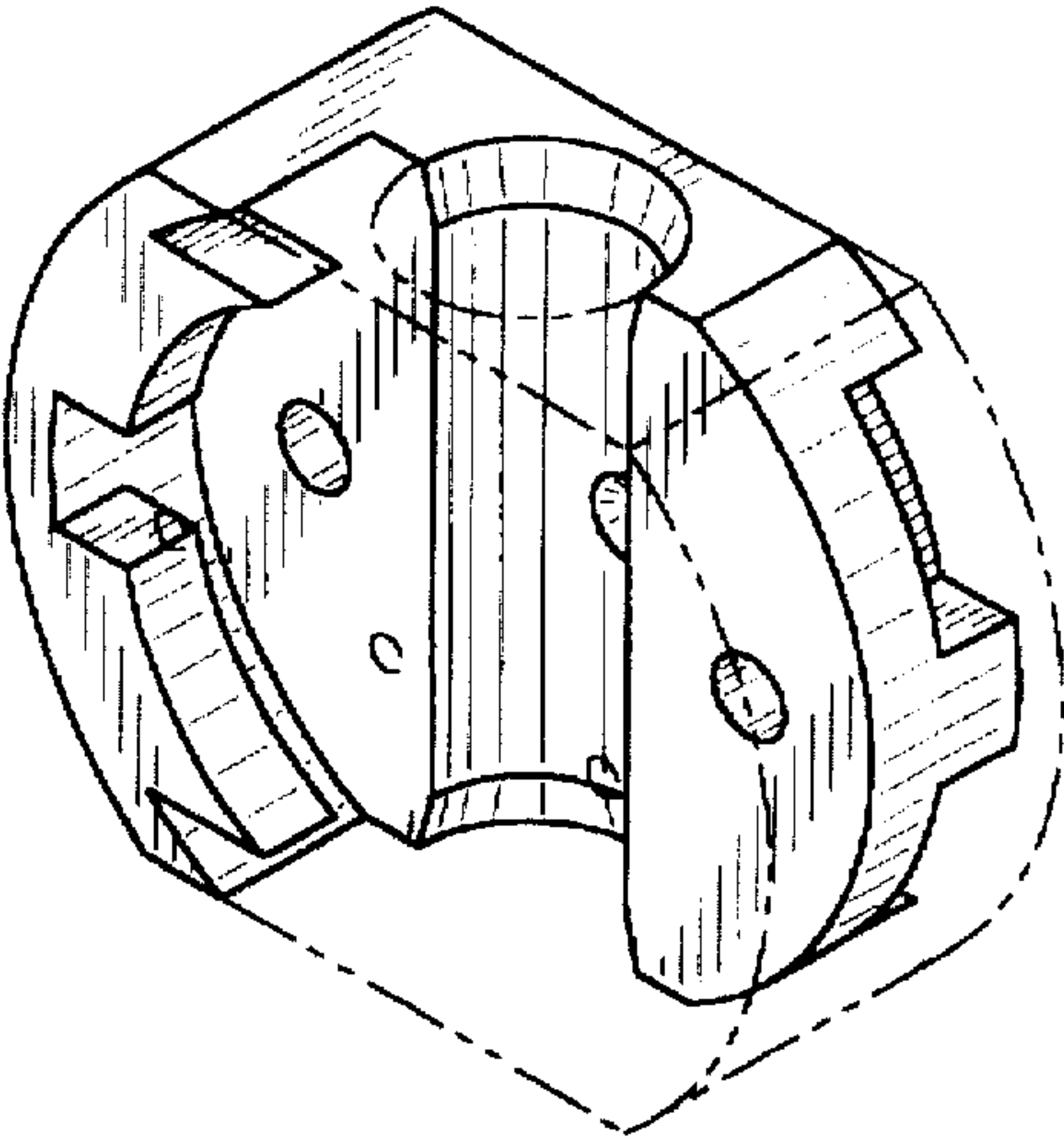


FIG. 2

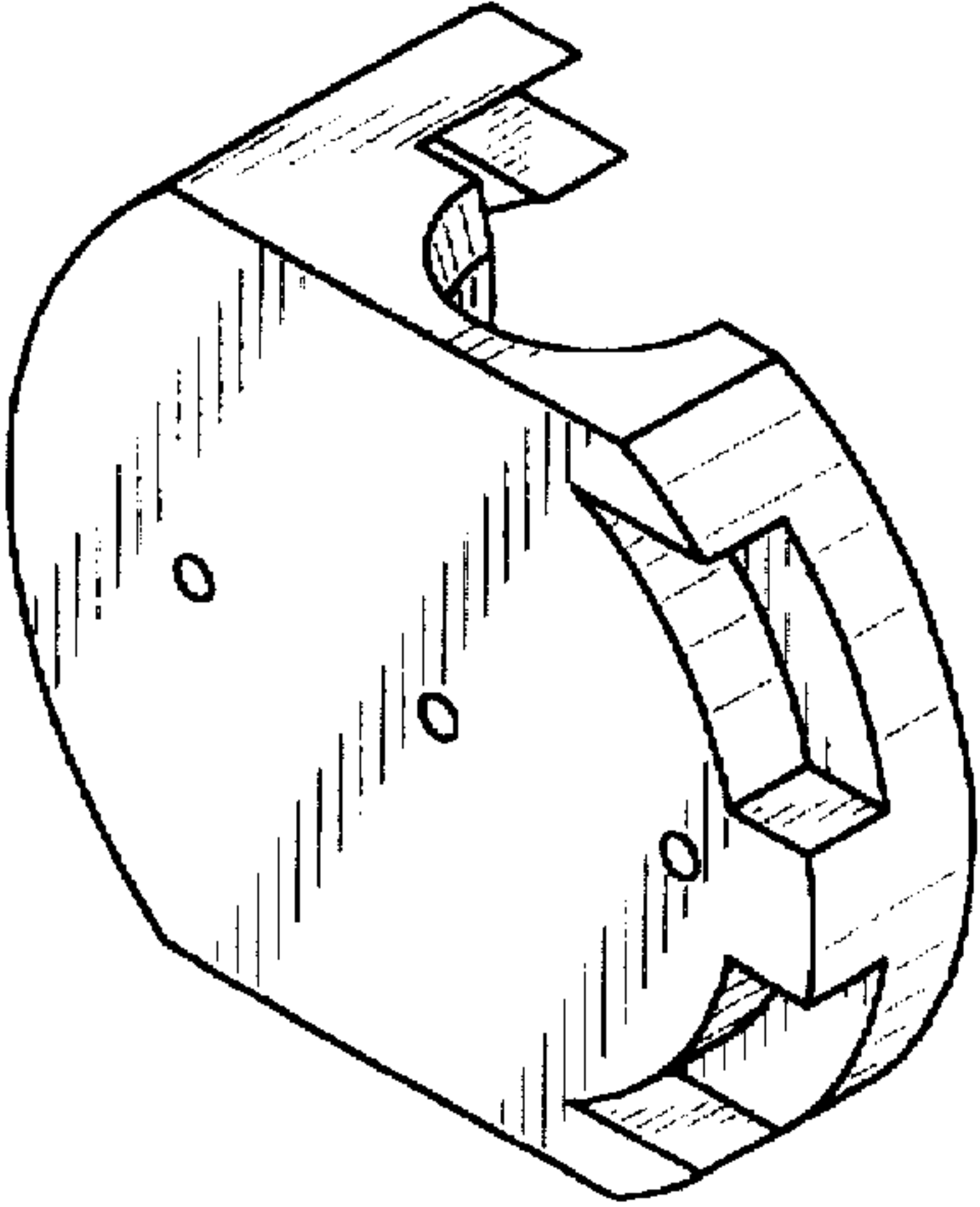


FIG. 3

FIG. 4

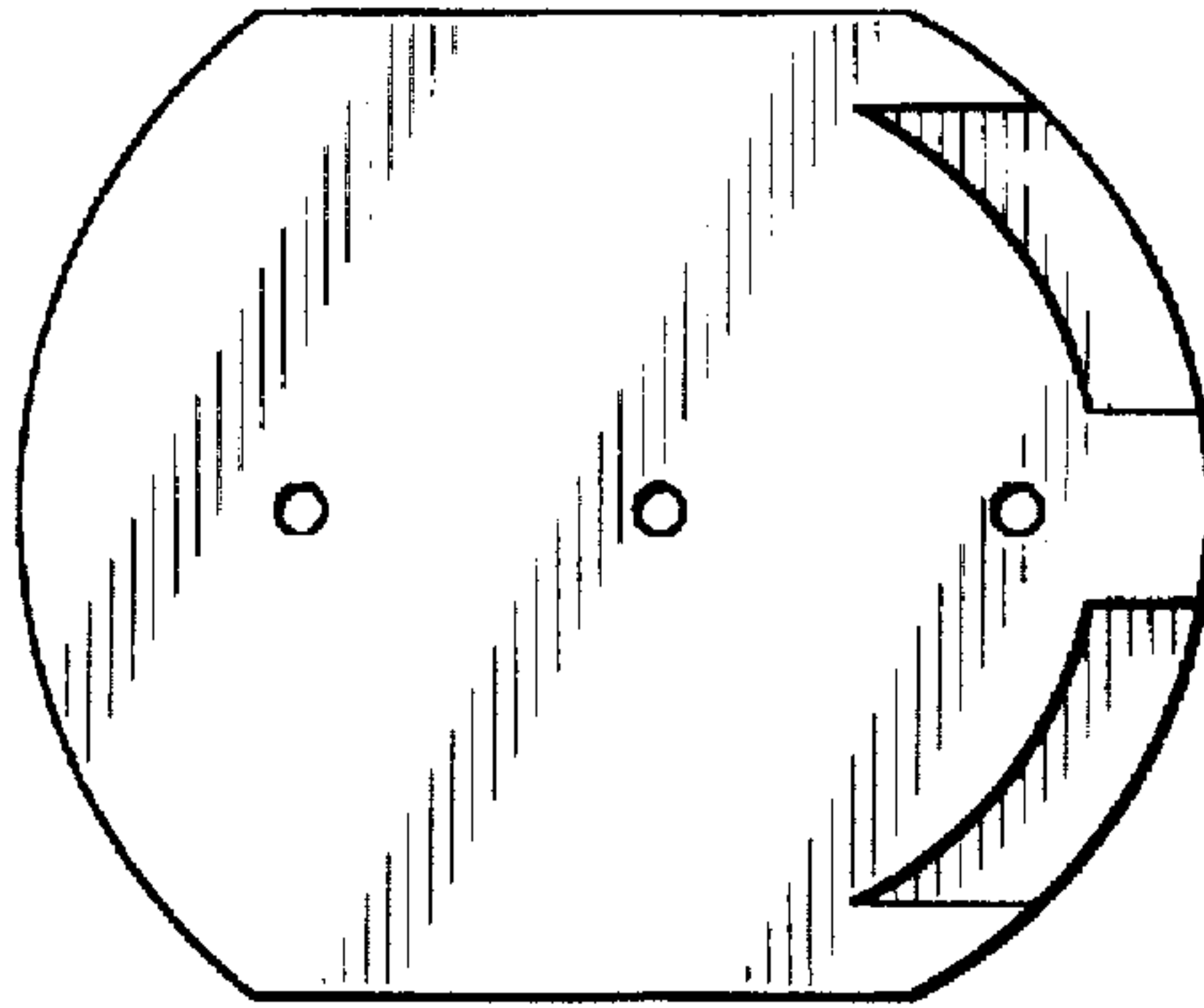


FIG. 5

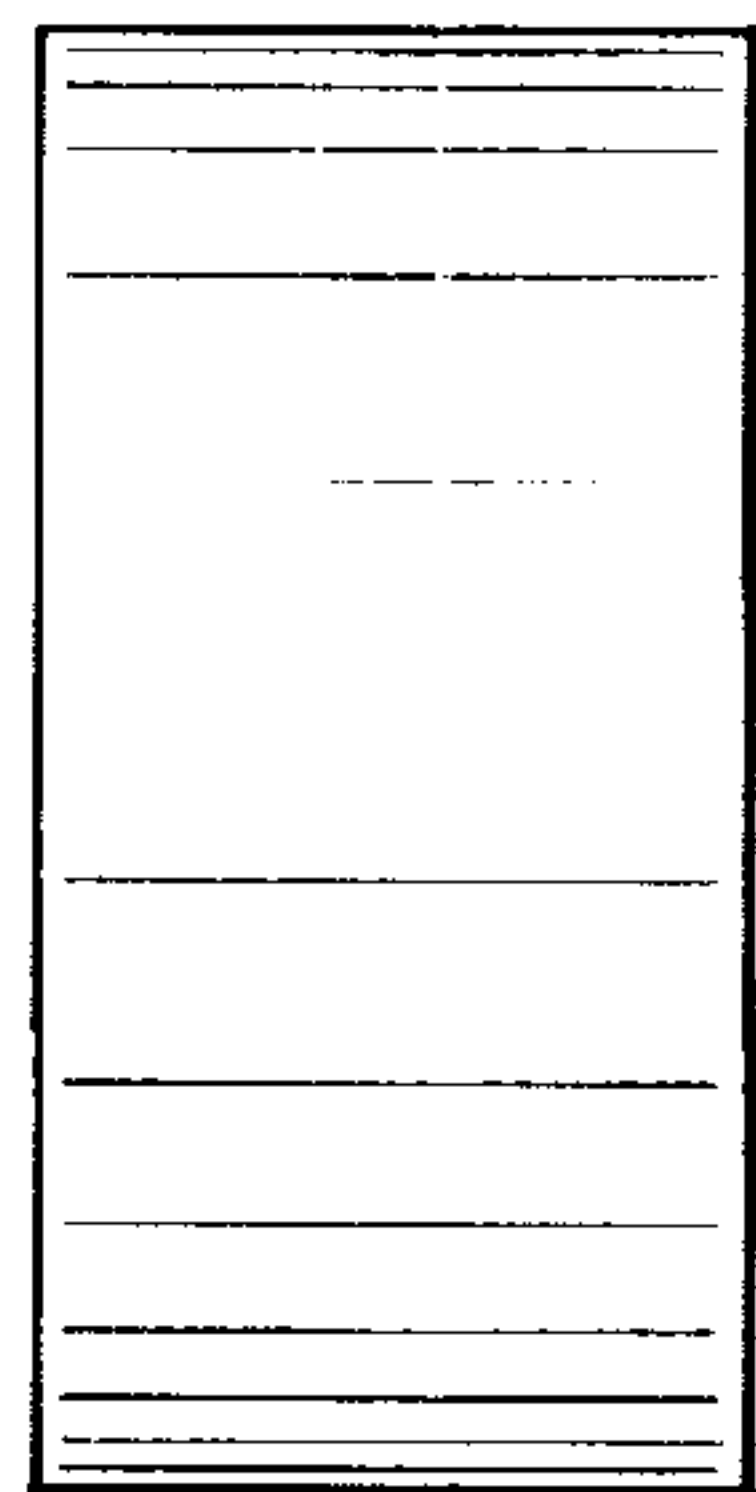
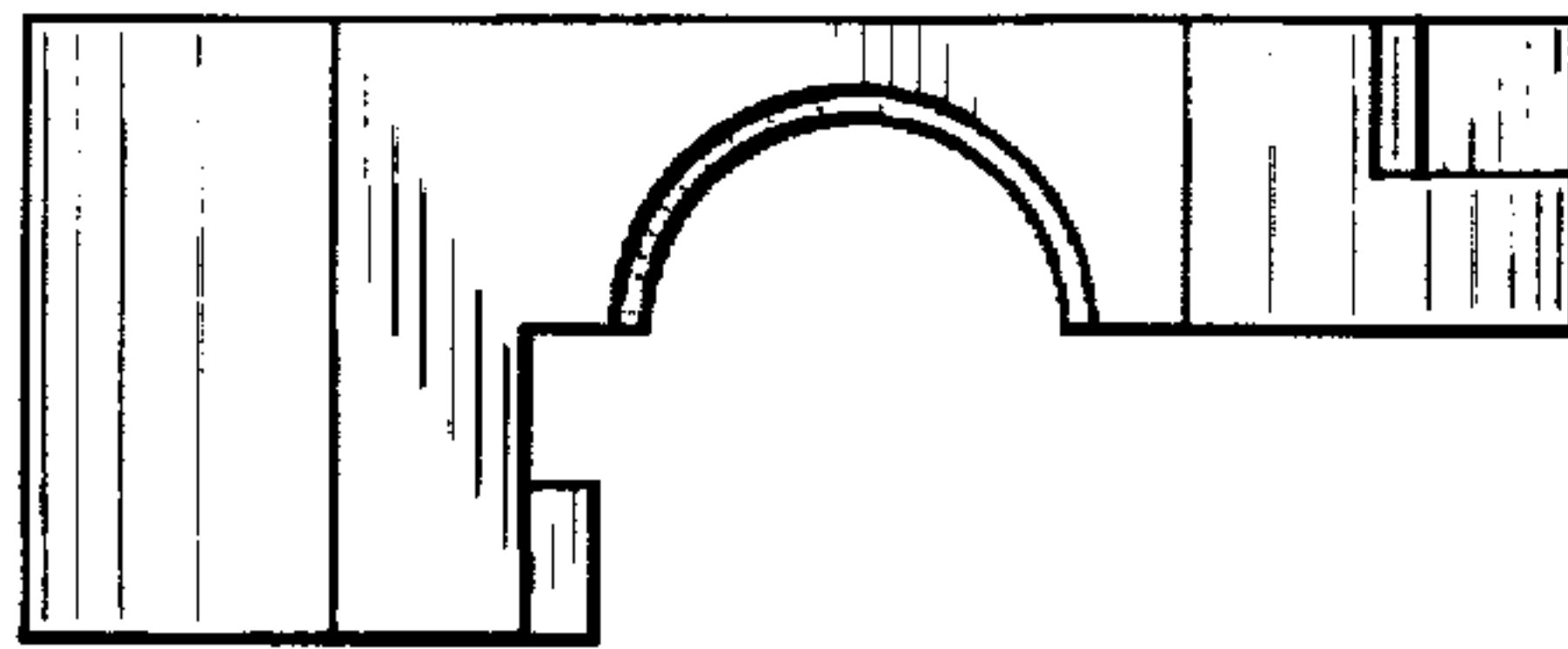


FIG. 6

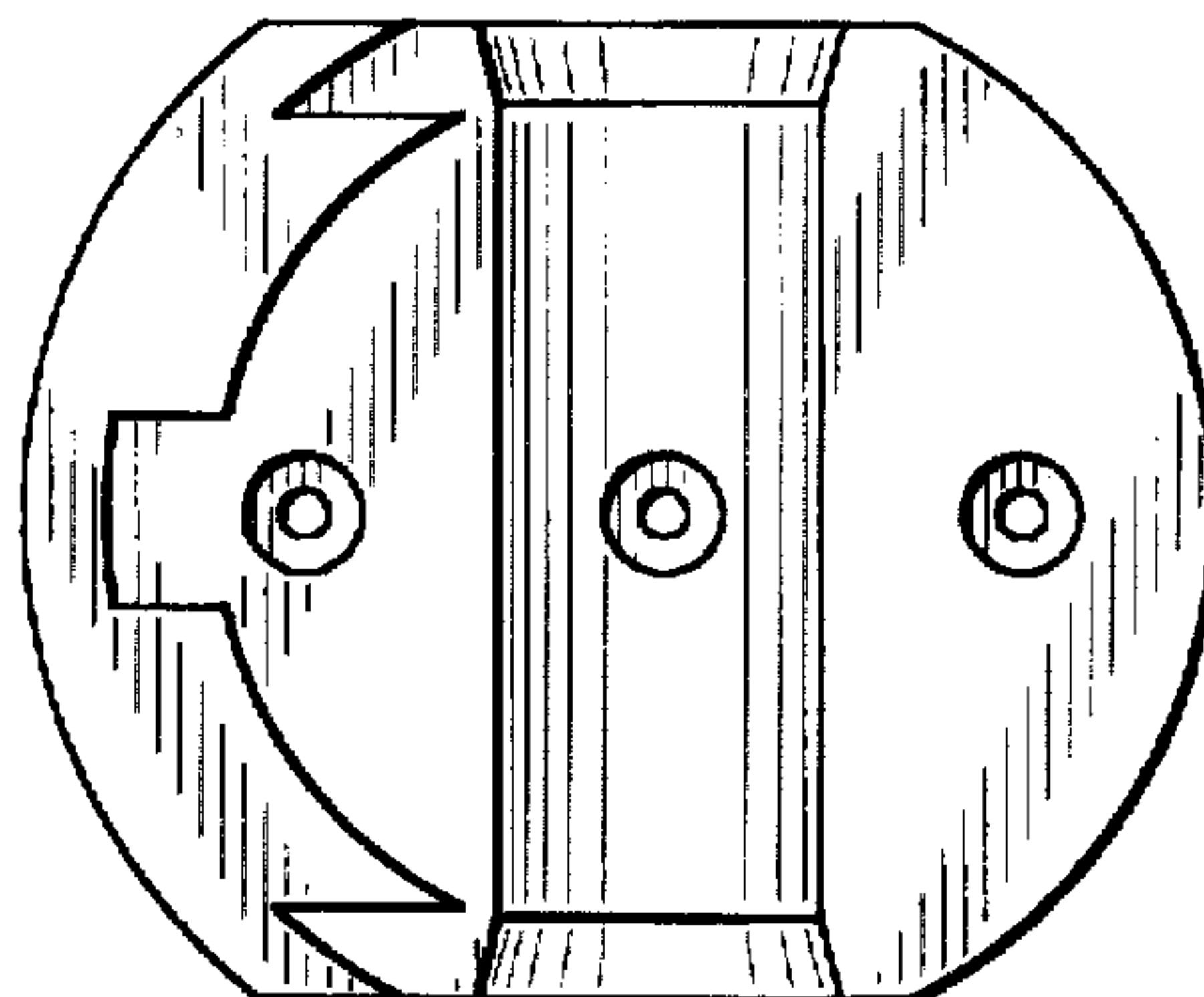


FIG. 7

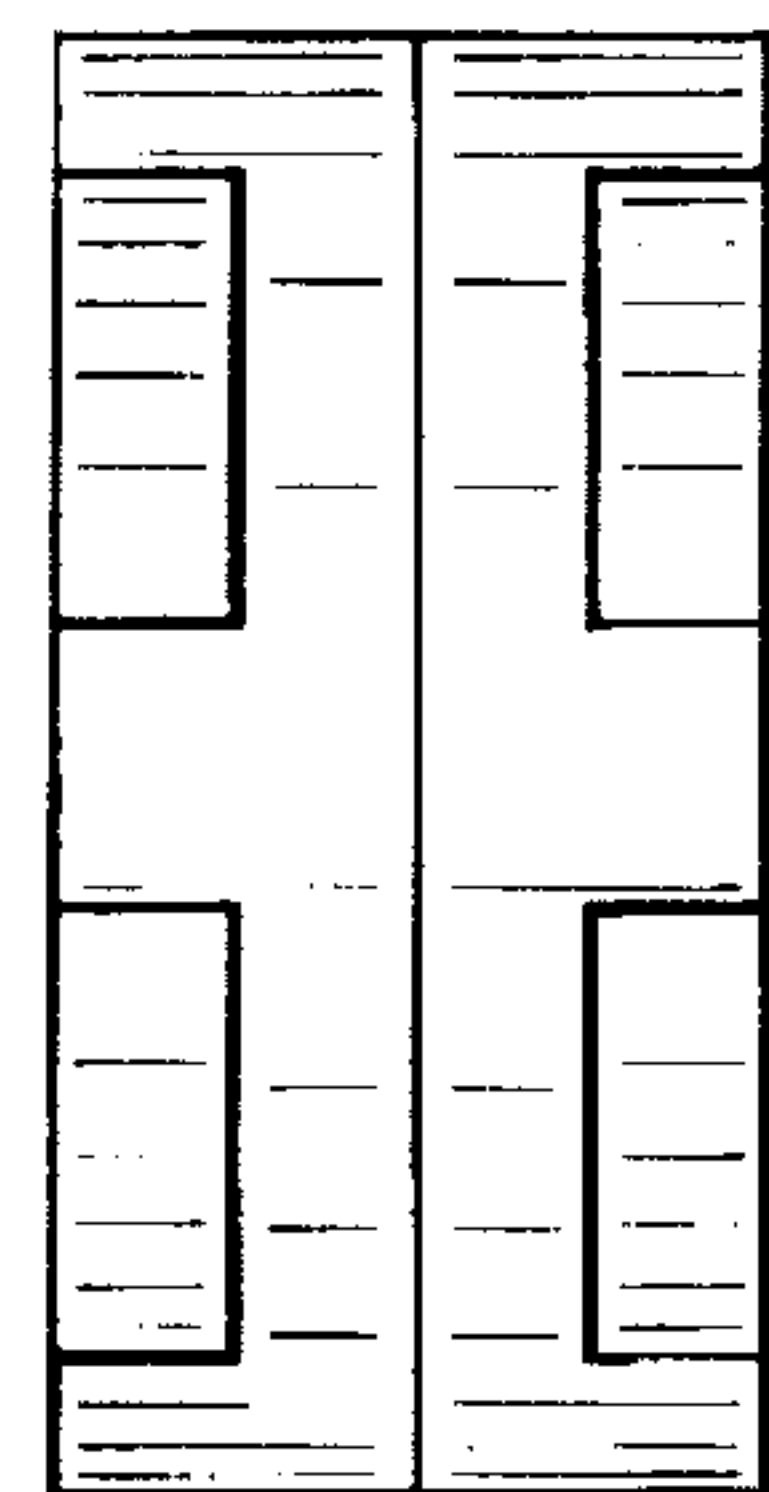


FIG. 8