



US00D386364S

United States Patent [19]
Rimback et al.

[11] **Patent Number: Des. 386,364**
[45] **Date of Patent: **Nov. 18, 1997**

[54] **LANDSCAPE TIMBER CONNECTING SYSTEM MEMBER**
[75] Inventors: **Peter Rimback**, Oakwood; **James Vidmar**, Willoughby, both of Ohio
[73] Assignee: **Hanover Catalog Holdings, Inc.**, Weehawken, N.J.
[**] Term: **14 Years**

4,826,344 5/1989 Rakiec 403/205
4,971,475 11/1990 Castonguay et al. 404/7
5,168,678 12/1992 Scott, Jr. et al. 52/102
5,230,187 7/1993 Reimann 52/102
5,291,703 3/1994 Johnson 52/103
5,468,092 11/1995 Saunders 403/65 X

Primary Examiner—Caron D. Veynar
Attorney, Agent, or Firm—Thompson Hine & Flory LLP

[21] Appl. No.: **55,192**
[22] Filed: **May 31, 1996**

[57] **CLAIM**
The ornamental design for a landscape timber connecting system member, as shown and described.

[51] **LOC (6) Cl.** **08-01**
[52] **U.S. Cl.** **D8/1; D8/382**
[58] **Field of Search** **D8/1, 354, 356, D8/382, 384, 394; D25/35, 113, 118, 131, 133, 199, 164; 47/23, 33, 41.14; 52/102, 103, 155, 156, 590.2, 653.2; 403/65, 93, 169, 170, 205, 217, 381**

DESCRIPTION

FIG. 1 is a front perspective view of a landscape timber connecting system member embodying our new design, taken from above and the right, the broken line showing of a second member is for illustrative purposes only and forms no part of the claimed design;
FIG. 2 is a perspective front view thereof;
FIG. 3 is a perspective rear view thereof;
FIG. 4 is a rear elevational view thereof;
FIG. 5 is a top plan view thereof, the bottom plan view being a mirror image;
FIG. 6 is a left side elevational view thereof;
FIG. 7 is a front elevational view thereof; and
FIG. 8 is a right side elevational view thereof.

[56] **References Cited**

U.S. PATENT DOCUMENTS

D. 293,766 1/1988 Lamb D8/356
3,343,301 9/1967 Adelman D25/113 X
3,537,687 11/1970 Adelman 256/19
3,545,128 12/1970 La Fontaine et al. 47/33
3,916,563 11/1975 Tedesh 47/33

1 Claim, 2 Drawing Sheets

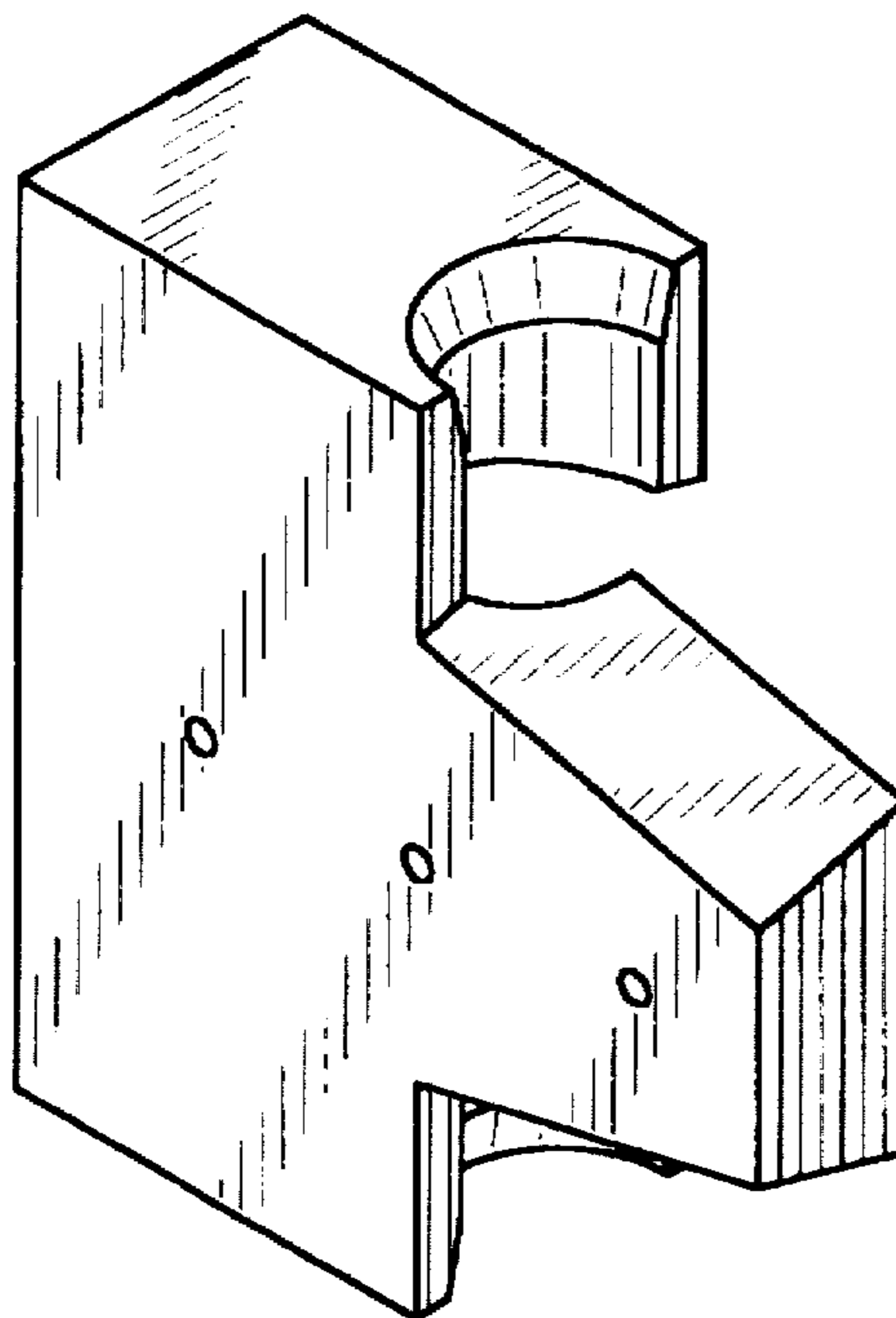


FIG. 1

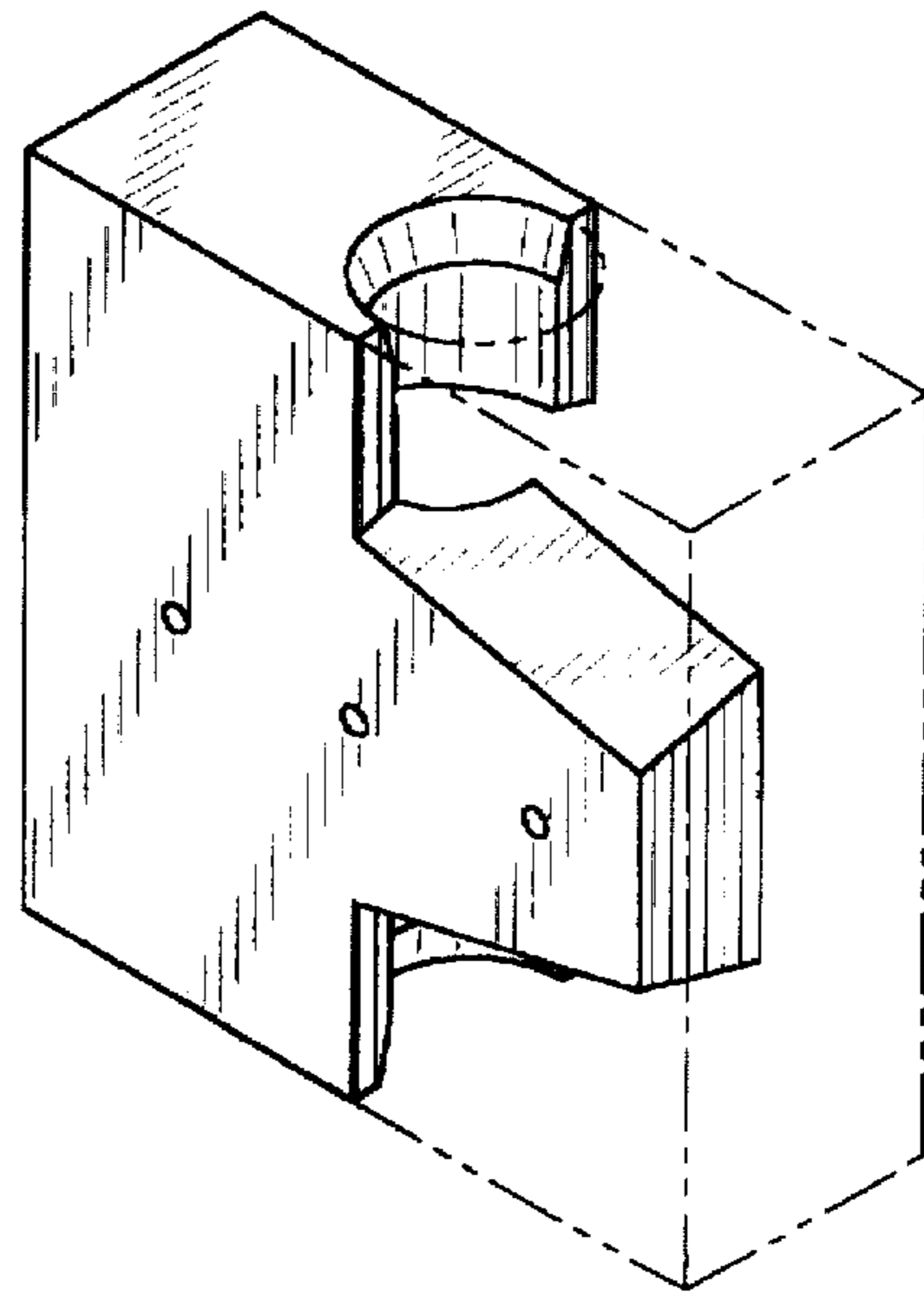


FIG. 2

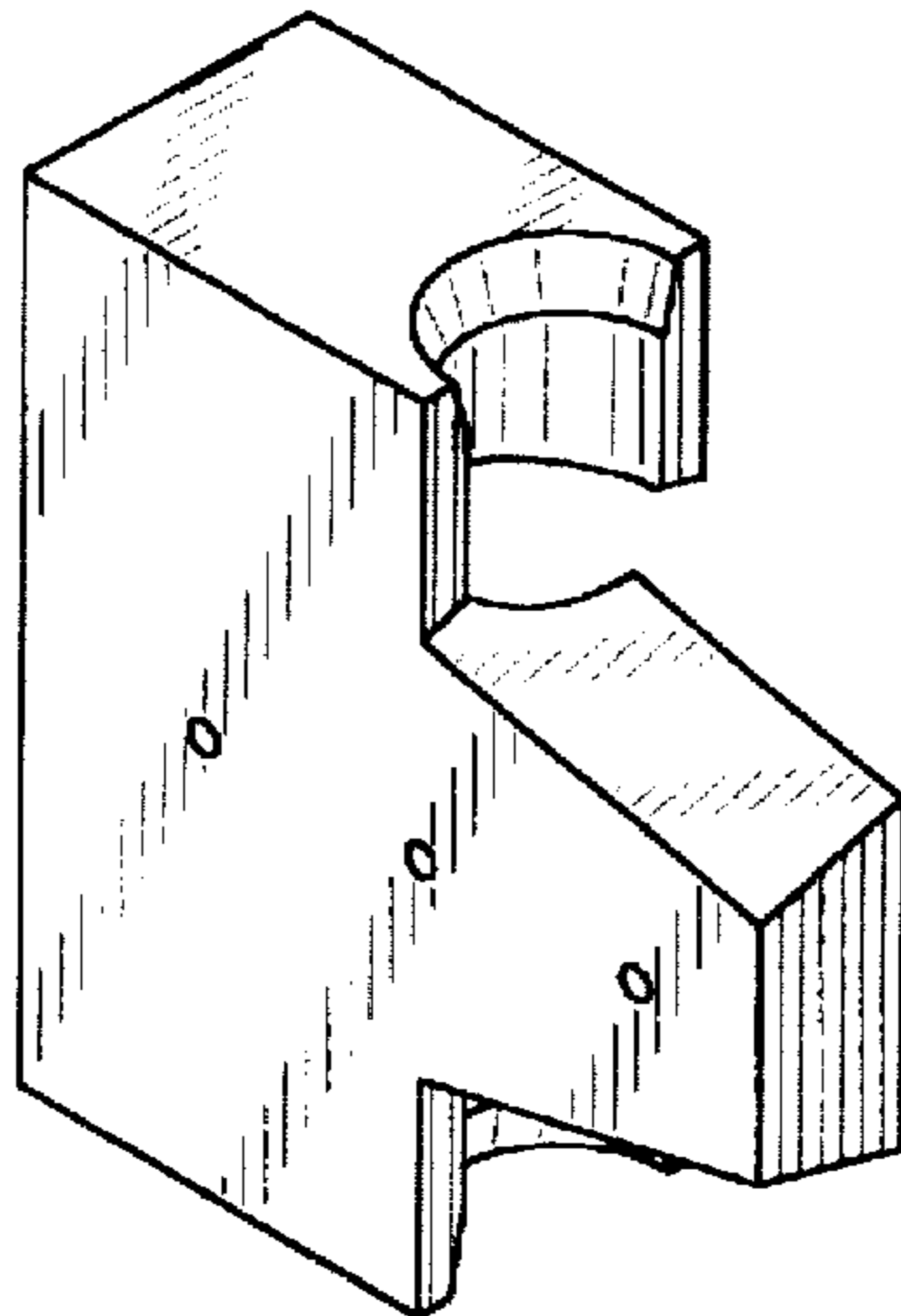


FIG. 3

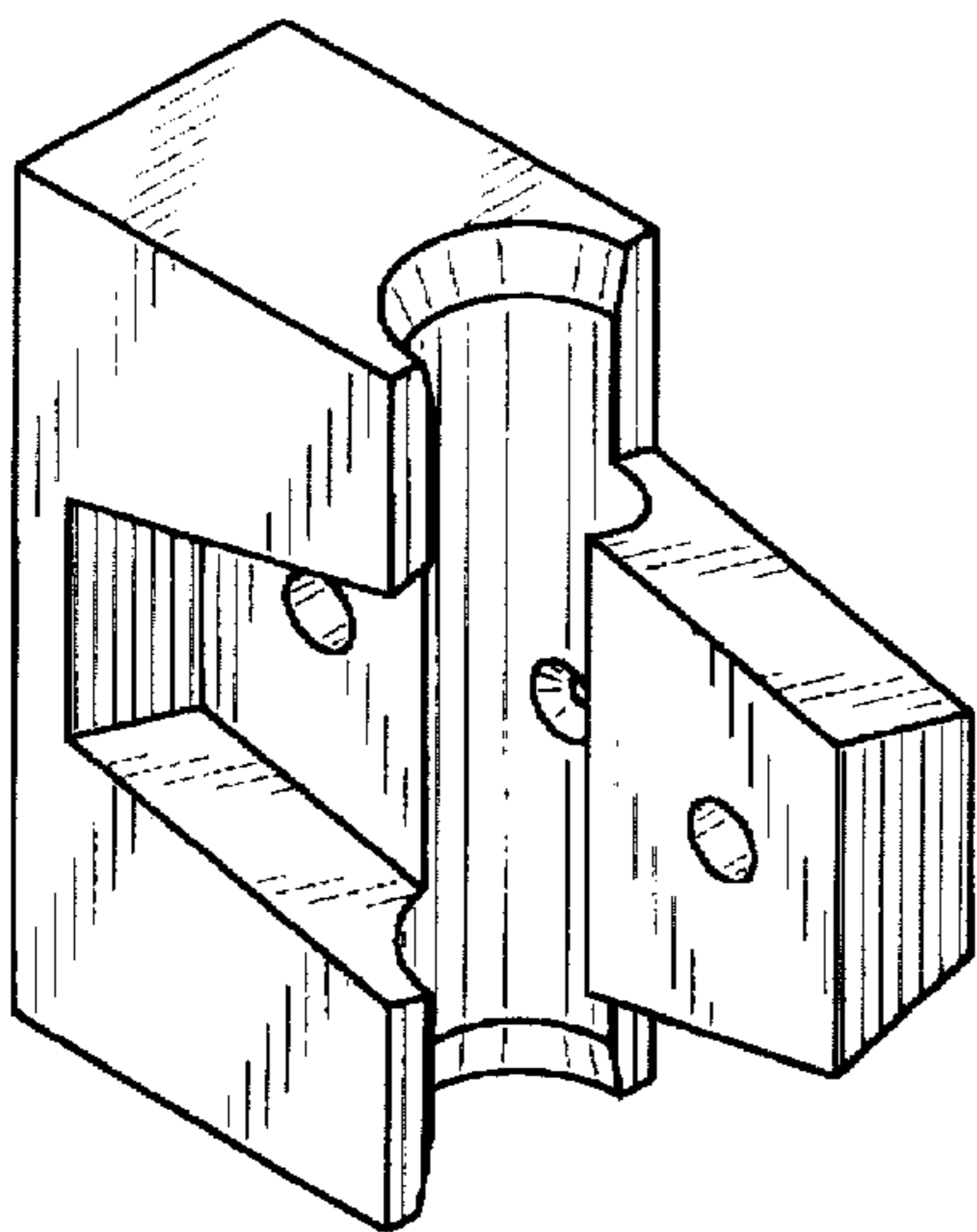


FIG. 4

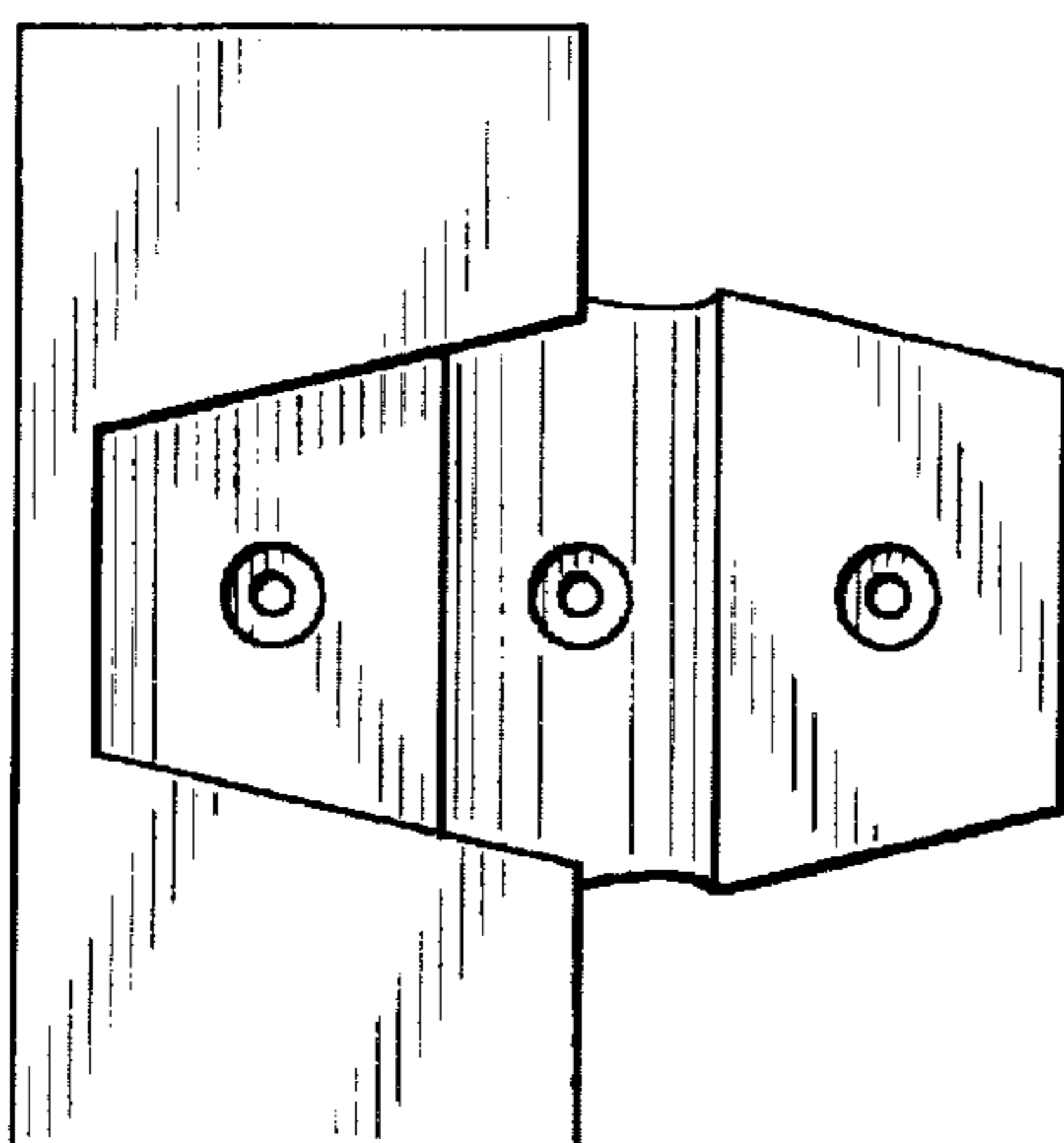


FIG. 5

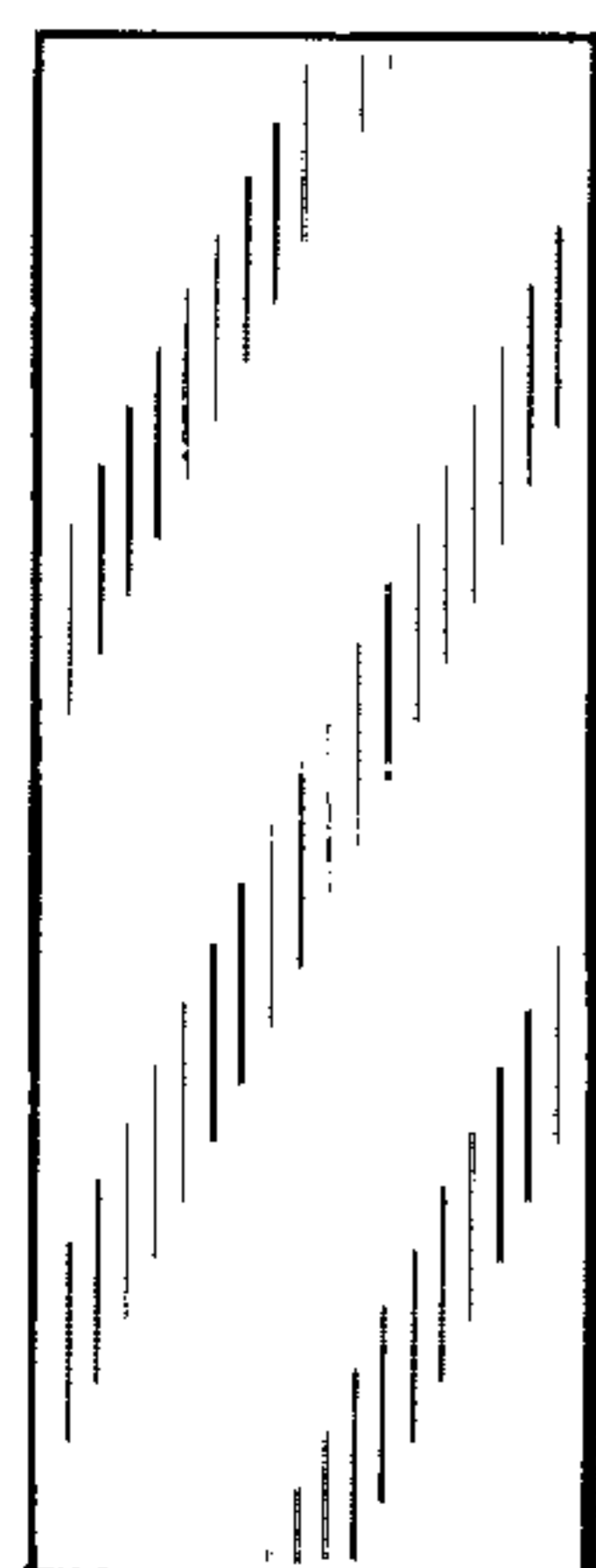
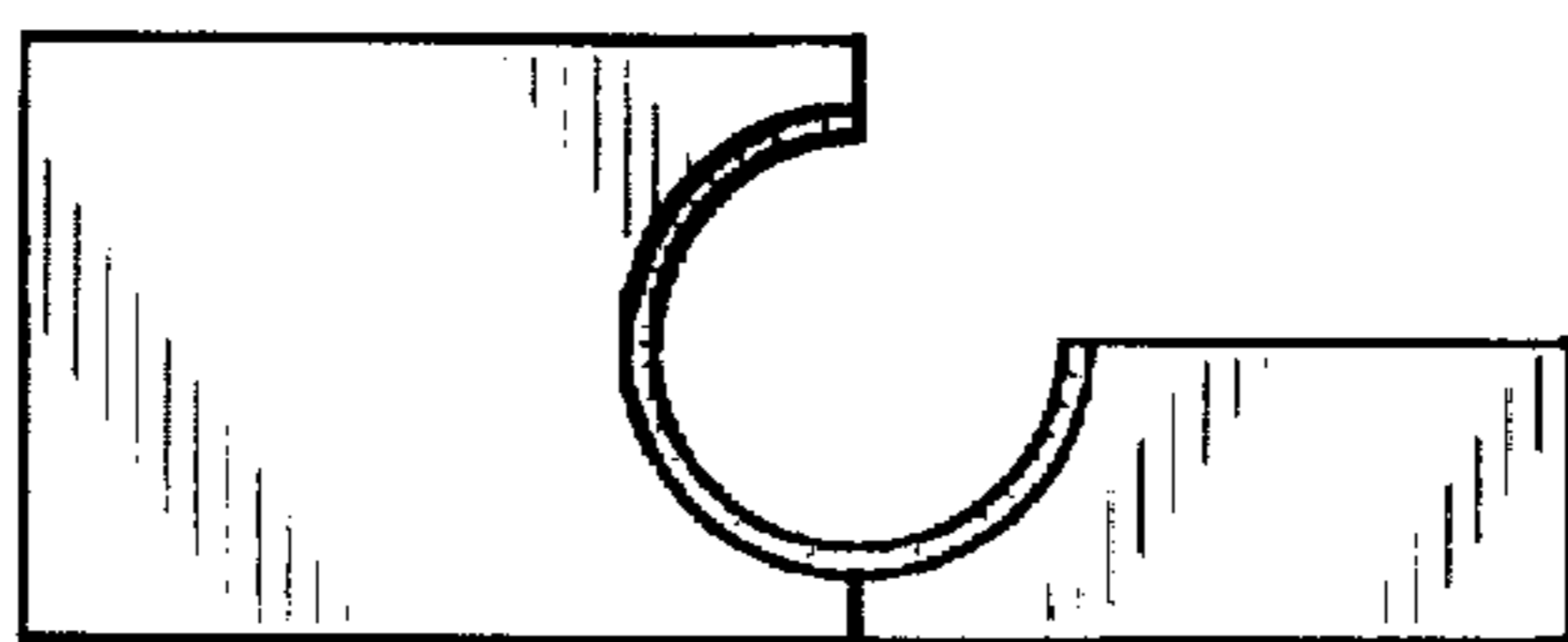


FIG. 6

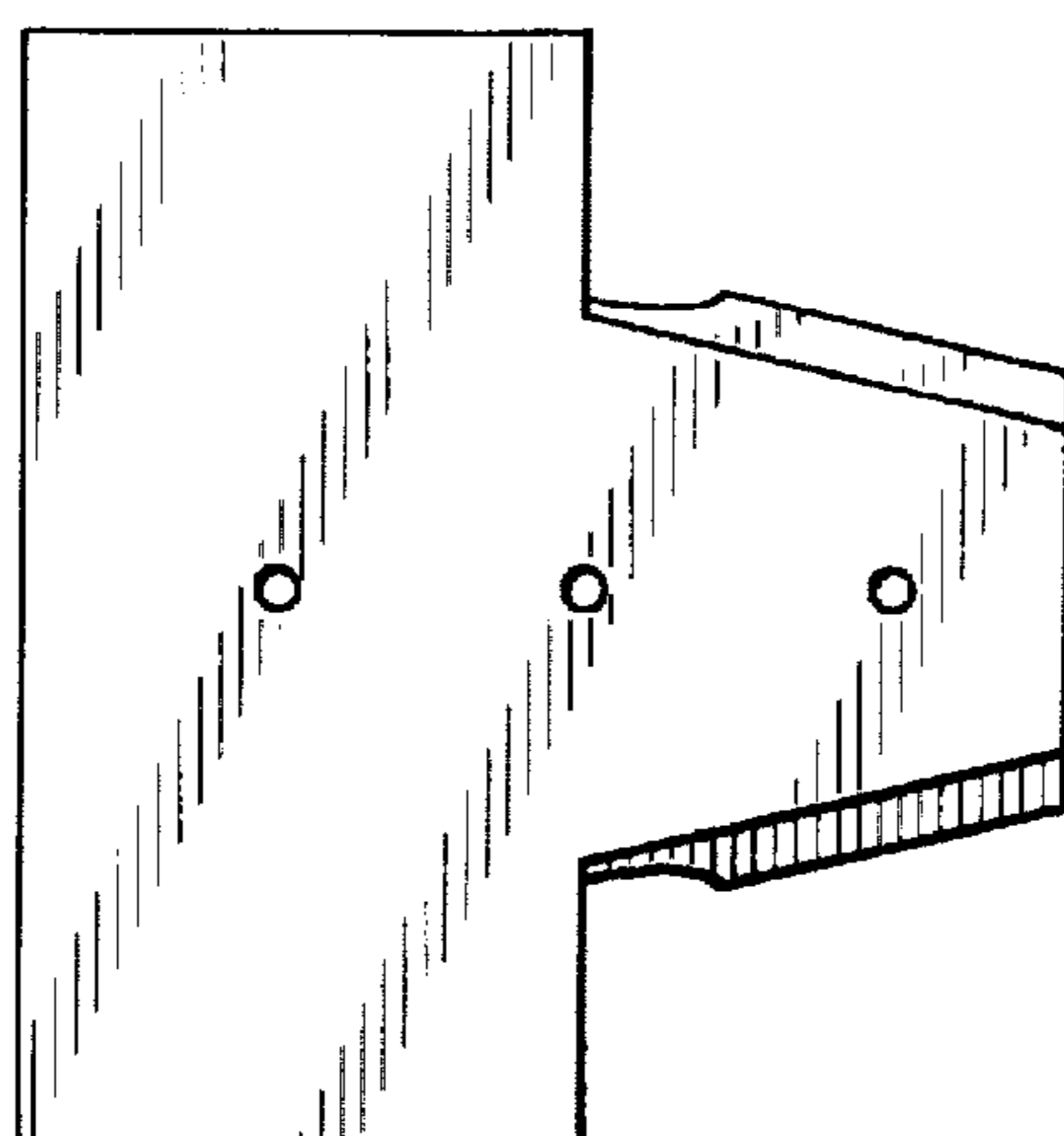


FIG. 7

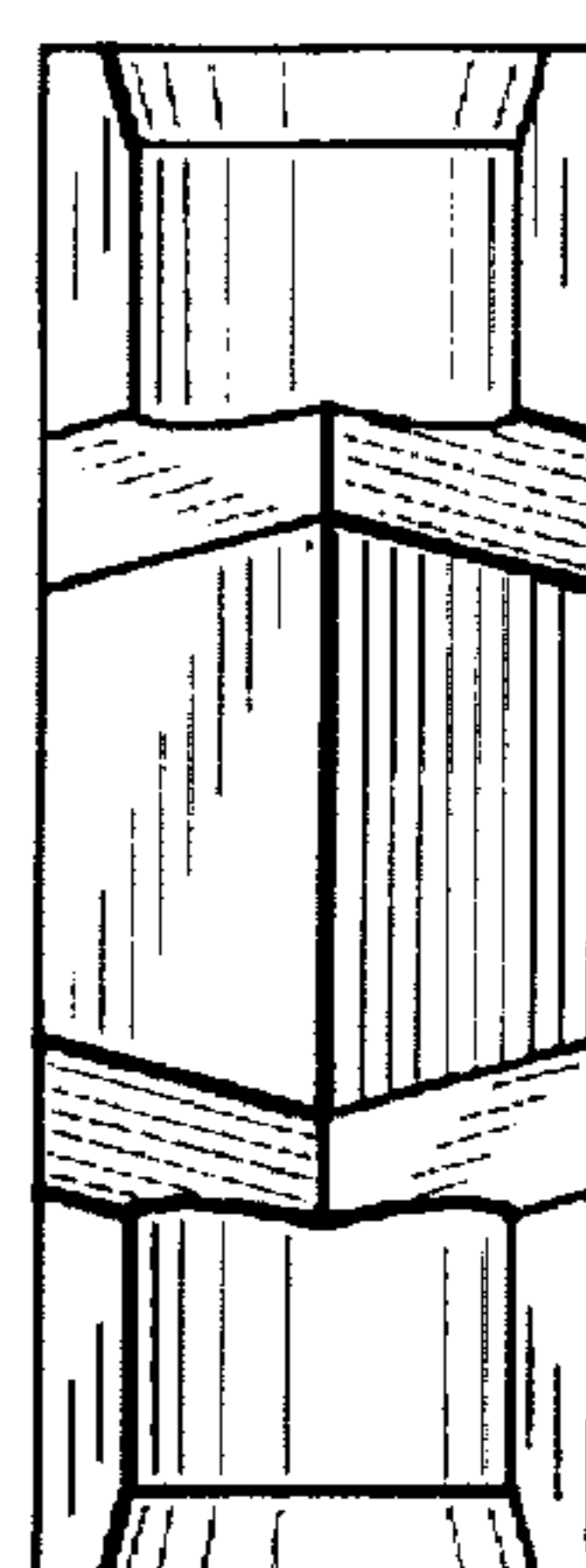


FIG. 8